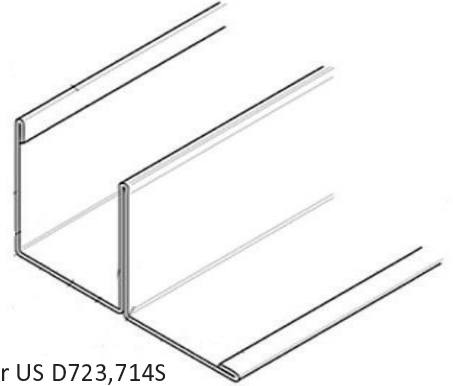


F-TRACK

Super Stud F-Track is an economical option for horizontal corners such as soffits, drop-ceilings, box-outs, and other drywall features that require a smooth, straight, corner intersection at 90 degrees. The single-piece F configuration allows for both horizontal and vertical framing attachment: without having to build up double tracks or track and angle members. The double thickness in the vertical inner flange provides rigidity and strength, which helps with both installation and long-term system stability and resiliency. The hemmed edges on the inner and outer flanges give added strength and safety, and complement our line of EDGE™ stud and track framing products. And, like all Super Stud steel products, F-Track is Made in the USA, with zinc-coated steel: minimum 25% recycled content, and 100% recyclable.



Patent number US D723,714S

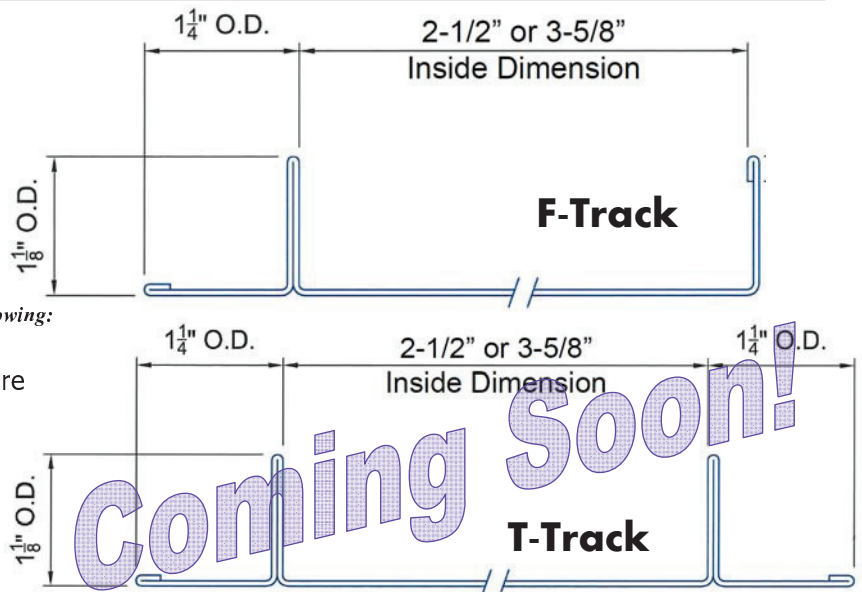
T-TRACK (available late 2017)

Super Stud T-Track has a similar configuration to the F-Track, with flanges on both sides. This allows for the installation of framing or drywall from both sides. In a wall intersection application, a vertically oriented T-Track can eliminate studs or blocking in the adjacent wall by providing flanges for drywall attachment on both sides. In a horizontal configuration at the top of a partition ending between parallel trusses or rafters, the T-Track can

make attachment to katz blocking easier, as well as provide an attachment flange for ceiling drywall. The double thickness of steel in both inner flanges for the T-Track provides rigidity and strength, which helps with both installation and long-term system stability. The hemmed edges on the inner and outer flanges give added strength and safety, and complement our line of EDGE™ stud and track framing products.

Technical Specifications: both F-TRACK & T-TRACK

Available Thickness: 0.016"
Minimum Yield Strength: 33 KSI
Coating: G40, in accordance with ASTM C645
Vertical legs: 1.125" Horizontal Legs: 1.25"
Inside track dimensions: 2.5", or 3.625"



CODES & STANDARDS

Super Stud products comply with the applicable provisions of the following:
International Building Code (IBC) 2006 - 2015
Meets ASTM C754 when installed properly in structure
Sheet Steel: ASTM A1003 & ASTM A653
Zinc galvanized Coating: ASTM A653 & ASTM C645
Members & Tolerances: ASTM C645
3rd Party Certification:
Manufacturing verified & inspected by
Home Innovation Research Labs, Inc.