

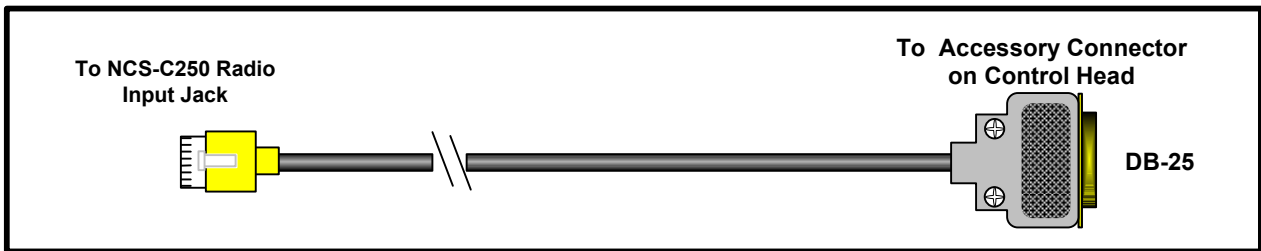
# Radio Interface Cable

For NCS-C250 Mobile Multi-Switcher

NCS Model Number  
**NCS-250-AIA-XX**

**Compatible Radios:**

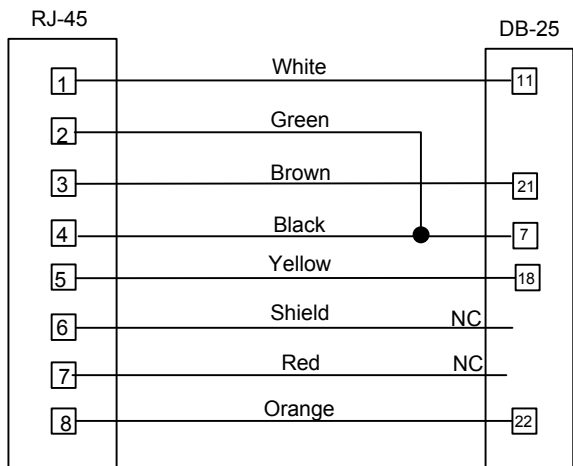
- Harris M7100 Control Head
- Harris M7200 Control Head



### RJ-45

Pin #	Wire Color	Function
1	White	Mic Hi
2	Green	Mic Lo
3	Brown	PTT
4	Black	Ground
5	Yellow	Rx Audio
6	Shield	Ground
7	Red	Hook Sw*
8	Orange	COR*

**\*Active only if Switch Hook or COR Option installed.**



## Cable Wiring

**Notes:**

1. Pin 21 (Aux Input 1) must be programmed for PTT.
2. Program Pin 22 (External Mute) program External Mute, Active high, Output 1