



DUO BLAST®

IMI
Precision Engineering

DUO BLAST®180pV3 Wet-Dry Abrasive Blasting System
medium capacity and fully-portable unit designed for industrial use

THE ONE-STOP MACHINE FOR OPEN BLAST CLEANING

Main Features

- Blasting pressure from 30-160Psi
- 180kg media capacity allowing over 1-1 ½ hours of blasting
- Air and water filtration system
- Water level monitoring system
- Works wet or dry on demand
- Safe & easy-to-use controls
- Fully powder coated
- Wet and Dry in one machine

• **WET BLAST • DRY BLAST • WASH DOWN • BLOW DOWN**



All DUO BLAST® systems feature a CE certified S/S control panel, with four blast selections. The user simply sets the toggles and the machine does all the hard work! Switch from wet to dry or visa-versa within seconds! Built-in E-Stop for maximum safety.



Easily adjust both water and grit flow at the machine's grit valve for optimum machine performance. With the DUO BLAST® water injection system (Patent-Pending) chances of slurry blockages are eliminated! Reducing downtime with maximum work rates, gets the job done!

DUO BLAST | www.duoblast.co.uk

World Headquarters UK: UNIT D2, Willow bank Business Park, Larne, Co. Antrim, BT40 2SF • Phone: +44(0)2828269900

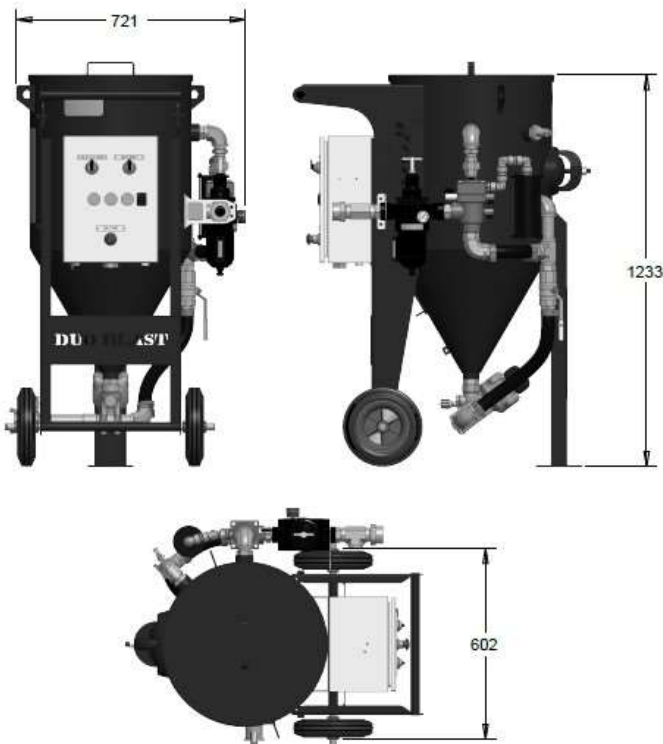
sales@duoblast.co.uk



180pV3 Technical

Machine Specifications

- Weight: 168kg (dry)
- Abrasive Capacity: 180kg
- 12 bar rated vessel
- Water Consumption: 0.2-2 Lpm (Adjustable)
- Grit Consumption: 50-180kg P/Hr (Adjustable)
- Water inlet: Hozelock male coupling
- Air requirement: 150-500cfm



Parts Specifications

- Norgren High-flow filter regulator
- Water/air filtration system
- Hopper vibrator for fine medias
- Normally closed abrasive metering valve
- 10M of blast hose with sheathed lines
- Pot lid
- 3/8" Tungsten carbide venturi nozzle*
- Norgren Stainless Steel control panel

Optional Extras:

- Blast hose extensions up to 300ft
- Breathing filter regulator
- Air-fed helmet
- 900cfm Filter/Regulator
- Pot Sieve

All Duo Blast systems come with a 2-year parts & labor warranty as standard.

DUO-BLAST

DEALER STAMP HERE