



# 675-3PAL

## Meter Based Surge Protection Device Three Phase Traditional

The **675-3PAL Meter Based SPD** built above the current industry standards, stops surges right at the electric meter, before they can enter your home or business.

Units are equipped with **SUNBRIGHT® diagnostics** with 1000 MCD LEDs that are fully visible in the brightest sunlight allowing fast and accurate readings in the field.

Units contain **"Smart Sensing Technology"** that distinguishes between surges and overcurrent events. The product complies with all current and proposed safety requirements. The 675-3PAL is a Type 1 Surge Protection Device (SPD) that is Listed to **ANSI/UL 1449**.

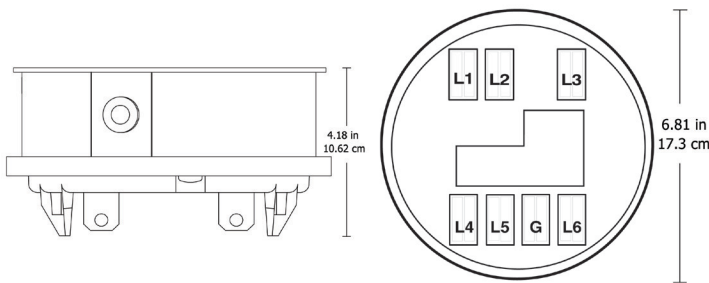
The integration of design, performance and safety features in the **METER TREATER** makes it an ideal choice for Utility Power Quality Programs. A **15 Year Product Warranty** and concurrent Extended Warranty for downstream white appliances are included†.



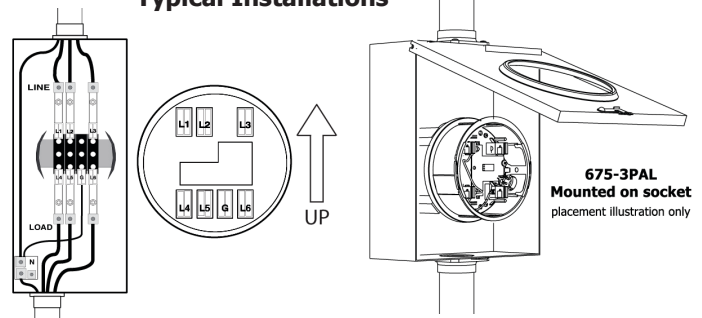
Rated for 200 Amp (250 Max) Continuous Service

Intertek

### Dimensions



### Typical Installations



(Diagrams not drawn to scale)

### Product Specifications

Applied Voltage	260 Vac MAX	Connection Method	Meter Base 7 Jaw Blades
Max Surge Current	150kA (50kA per phase)	Surge Technology	MOV
Max Load Current	250 Amps (200 Amps Continuous) attained in HQ-5B L&G	Operating Temperature	-40° to +140°F (-40° to +60°C)10%+-
MCOV	270 Volts	Operating Frequency	50/60 Hz
Short Circuit Current	10k RMS Symmetrical Amps	Diagnostics	Red Status LED, SUNBRIGHT
Housing Rating	3R (UL 414) with UV inhibitors	Safety Standards (Type 1 SPD)	UL 1449 & UL 414 (most current)
Product Weight	3.0 lbs.	VPR (Suppressed Voltage)	1000 Volts (8x20μs, 6kV/3kA)
Product Dimensions	4.18" x 6.81" (2.45" installed depth)	I <sub>n</sub> (nominal discharge current)	20 kA

### Available Models/Options

675-3PAL	7 Jaws (Standard)
----------	-------------------

†Concurrent extended warranty is only applicable for residential customers participating in a utility residential surge protection program and for those utilities requesting the extended warranty.

All product dimensions provided are ± 0.125

Meter Treater Inc.: 1349 South Killian Drive • Lake Park, FL 33403

Email: [sales@metertreater.com](mailto:sales@metertreater.com)

Sales: 561.845.2007 Toll: Free: 800.638.3788 Fax: 561.848.2372

Website: [www.metertreater.com](http://www.metertreater.com)