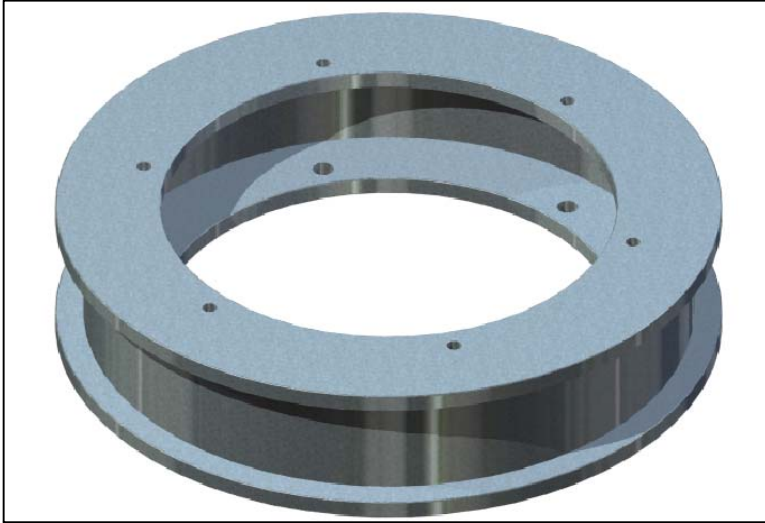


# L-867 Class 1A Light Base Extension

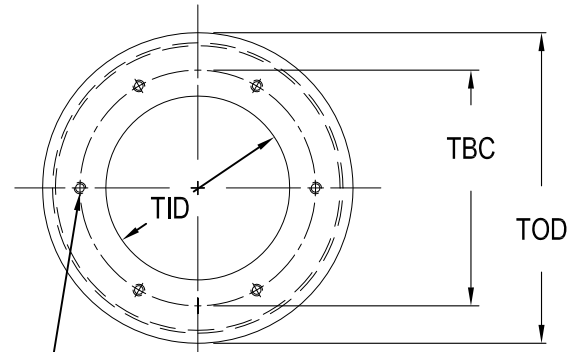


L-867 Class 1A Light Base Extension

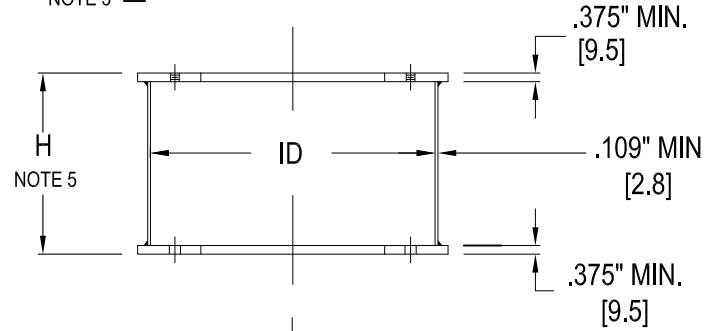
1. Approved and Certified to FAA Advisory Circular AC150/5345-42F L867 class 1A  
 Size: B=12", D=16", E=24"
2. Extensions galvanized to ASTM-A123/A123M-02
3. (6) 3/8"-16 equally spaced, tapped holes
4. (6) 7/16" Ø equally spaced, thru holes aligned with holes in top ring
5. H = height required, 1.75" minimum

Part no. Example: An extension 3<sup>5</sup>/<sub>16</sub>" high, is a

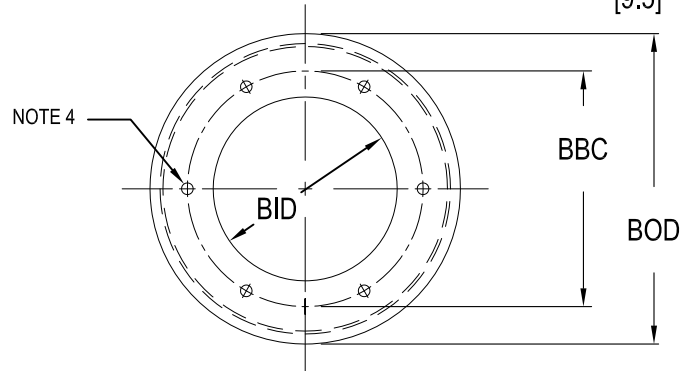
AE2 03 05  
 Inches | Sixteenths of an inch



NOTE 3



NOTE 5



NOTE 4

TYPE	PART NO.	TOD & BOD	ID	TBC & BBC	TID & BID
<b>AT2007</b> 12" L867B	<b>AE2</b> _ _ _ _	13.5" [342.9]	12.25" [311.2]	10.25" [260.4]	9.25" [235]
<b>AT6004</b> 16" L867D	<b>AE6</b> _ _ _ _	17.375" [441.3]	16.25" [412.8]	14.25" [362]	12.375" [314.3]
<b>AT7004</b> 24" L867E	<b>AE7</b> _ _ _ _	24" [609.6]	22.5" [571.5]	21.5" [546.1]	20" [508]

[ ] = dimensions in metrics; mm