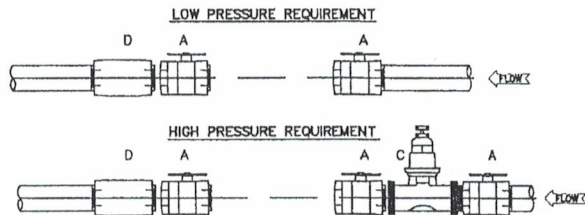
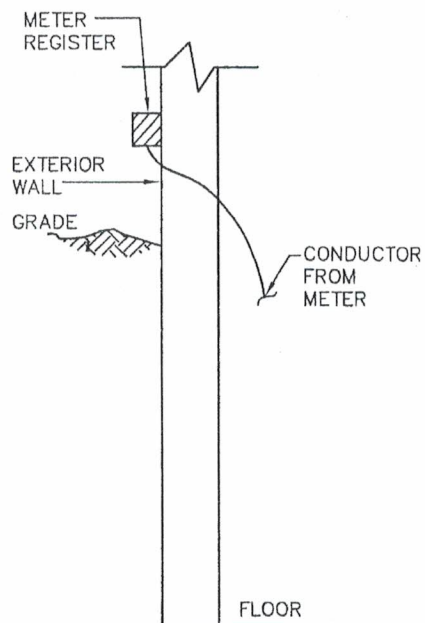


PLAN

ITEM	DESCRIPTION
A	FULL FLOW VALVE WITH HANDLE
B	PRESSURE REDUCING VALVE PER PLUMBING CODE
C	BACKFLOW PREVENTOR PER PLUMBING CODE



SECTION A-A

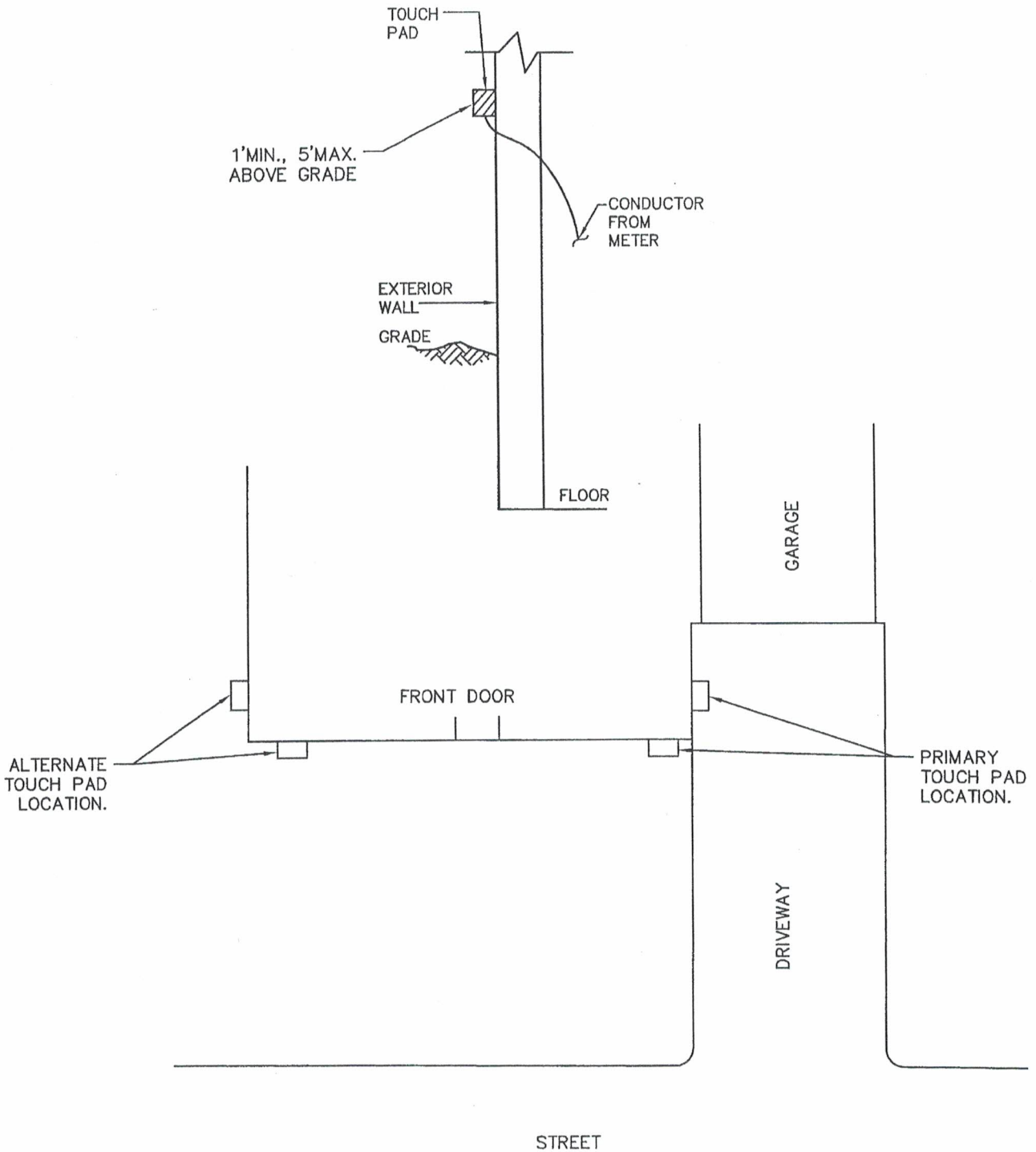


NOTES:

1. NOTIFY AUTHORITY WHEN METER IS READY FOR TEST.
2. LOCATION OF REGISTER TO BE APPROVED BY AUTHORITY.
3. LINE FROM WELL TO FLOW VALVE SHALL BE CONTINUOUS PIPE WITH NO BRANCHES.
4. PROVIDE ELECTRICAL BONDING AS REQUIRED BY CODE.

**TYPICAL METER INSTALLATION
FOR PRIVATE WELL**

NTS



NOTES:

1. THIS DETAIL IS FOR RESIDENTIAL SINGLE FAMILY DETACHED OR SEMI-DETACHED HOMES. TOUCH PAD LOCATION FOR MULTI-FAMILY RESIDENTIAL AND ALL NON-RESIDENTIAL USES WILL BE DETERMINED ON A CASE BY CASE BASIS.
2. PRIMARY LOCATION FOR TOUCH PAD INSTALLATION IS THE FRONT CORNER OF THE DRIVEWAY SIDE OF THE HOUSE. ALTERNATE TOUCH PAD LOCATION MAY BE USED IF ACCESS IS OBSTRUCTED AT THE PRIMARY LOCATION.

METERED PRIVATE
WELL EXTERIOR
TOUCH PAD LOCATION