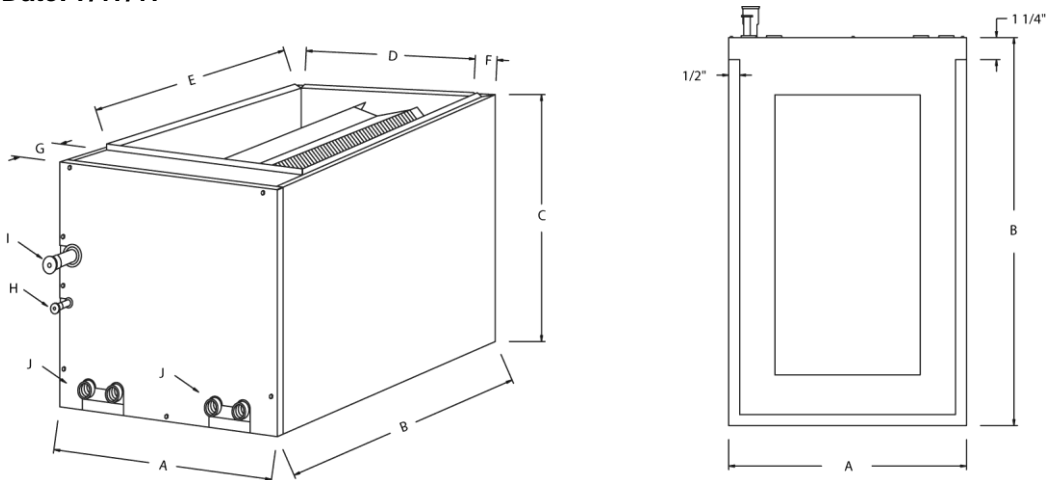


# Sustainable Coils

## Replacement Coil Solutions!

### Stock Replacement A-Coils Cased

Revision Date: 7/17/17



COIL MODEL	A	B	C	D	E	F	G	H	I	J
1024A13C	14 1/2	21 1/4	14	12 3/4	18 3/4	7/8	1 5/8	3/8	3/4	3/4
1024A16C	17 1/2	21 1/4	14	15 3/4	18 3/4	7/8	1 5/8	3/8	3/4	3/4
1036A13C	14 1/2	21 1/4	16	12 3/4	18 3/4	7/8	1 5/8	3/8	3/4	3/4
1036A16C	17 1/2	21 1/4	16	15 3/4	18 3/4	7/8	1 5/8	3/8	3/4	3/4
**1036A20C	21	21 1/4	18	19 1/4	18 3/4	7/8	1 5/8	3/8	3/4	3/4
1048A16C	17 1/2	21 1/4	20	15 3/4	18 3/4	7/8	1 5/8	3/8	7/8	3/4
1048A20C	21	21 1/4	20	19 1/4	18 3/4	7/8	1 5/8	3/8	7/8	3/4
**1048A23C	24 1/2	21 1/4	20	22 3/4	18 3/4	7/8	1 5/8	3/8	7/8	3/4
1060A20C	21	21 1/4	24	19 1/4	18 3/4	7/8	1 5/8	3/8	7/8	3/4
1060A23C	24 1/2	21 1/4	24	22 3/4	18 3/4	7/8	1 5/8	3/8	7/8	3/4

\*\*Denotes possible non stock item, please contact factory for availability

3/8 O.D. UNIGUARD® by Luvata copper alloy tubing to block formicary corrosion  
 Aluminum end plates to protect against rust corrosion  
 Louvered fins spaced at 14 FPI for proper air flow in replacement applications  
 Piston metered for R-22 refrigerant, additional R-410A piston optional  
 R-22 and R-410A expansion valve kits available upon request  
 Plastic drain pans, nylon resin is UL 94, 5VFR and U.V. safe  
 22 ga. G-90 galvanized cabinets with 1/2" foil backed insulation in popular sizes  
 Heal punched access door for removal without disconnecting line sets or drains  
 Pre-swaged refrigerant connections, shipped with dry nitrogen holding charge  
 Internal refrigerant volumes: 1024A=94.08, 1036A=131.71, 1048A=169.34, 1060A=206.98  
 Five year replacement warranty

Visit our website [www.SustainableCoils.com](http://www.SustainableCoils.com) for further information regarding our complete product line.