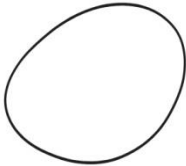
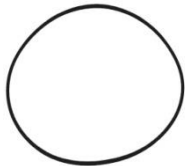
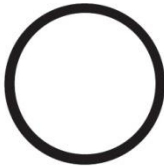
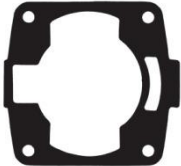
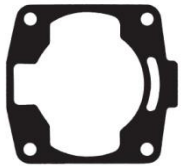






# Polaris 700, Hurricane 700, Virage, Freedom

DESCRIPTION	OEM PART#	OURPART#	DISTRIB.	DEALER
HEAD O-RING (2 REQ'D) *	5412232	4300		
CYLINDER O-RING (2 REQ'D) *	5410932	4305		
SPARK PLUG O-RING (2 REQ'D) *	5410917	4310		
BASE (2 REQ'D) *	5811057	4315		
BASE (2 REQ'D) * VIRAGE, FREEDOM .015	5811784	4805		
REED (ENGINE SIDE)	NOE **	4317		
REED (CARB SIDE)	NOE **	4319		
CARB (2 REQ'D) *	5830043	4320		
ARRESTOR	5830062	4325		
EXHAUST (2 REQ'D) *	5811045	4330		
HEAD PIPE *	5830051	4335		
FLYWHEEL COVER	5811145	4337		
WATER MANIFOLD (2 REQ'D)	5830061	4339		
OIL PUMP O-RING	5411056	4340		
THERMOSTAT HOUSING	5410860	4353		
CRANK O-RING	5410613	4356		
STARTER O-RING (2 REQ'D)	3240114	4359		
<b>SEALS</b>				
OIL SEAL	5410913	4365		
OIL SEAL VIRAGE, FREEDOM (2 REQ'D)	5411937	4835		
OIL SEAL	3610044	4368		
OIL SEAL KIT 700, HURRICANE	700,HURRICANE	4370K		
OIL SEAL KIT VIRAGE, FREEDOM	VIRAGE, FREEDOM	4372K		
<b>KITS</b>				
700 TOP KIT	ALL	4375K		
700 COMPLETE KIT	700, HURRICANE	4378K		
700 COMPLETE KIT WITH SEALS	700, HURRICANE	4379K		
VIRAGE, FREEDOM TOP KIT	ALL	4382K		
VIRAGE, FREEDOM COMPLETE KIT	VIRAGE, FREEDOM	4386K		
VIRAGE, FREEDOM COMPLETE KIT W/ SEALS	VIRAGE, FREEDOM	4388K		

\* DENOTES ITEM IS INCLUDED IN TOP KIT

\*\* NOT ORIGINAL EQUIPMENT



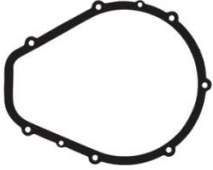
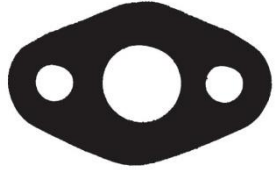
No. 4300 OEM. 5412232	No. 4305 OEM. 5410932	No. 4310 OEM. 5410917	No. 4315 OEM. 5811057	No. 4805 OEM. 5811784
				
Head O-Ring (2 Required)	Cylinder O-Ring (2 Required)	Spark Plug O-Ring (2 Required)	Base (2 Required)	Base (2 Required) Virage, Freedom


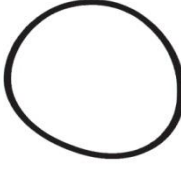
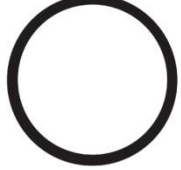
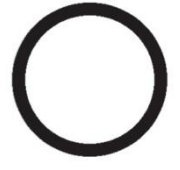
No. 4317 NOE	No. 4319 NOE	No. 4320 OEM. 5830043	No. 4325 OEM. 5830062
			
Reed (Engine Side)	Reed (Carb Side)	Carb (2 Required)	Arrestor

1600 W. Acoma Blvd. #18 / Lake Havasu City. AZ 86403 / (928) 680-4387 / Fax (928) 680-4388

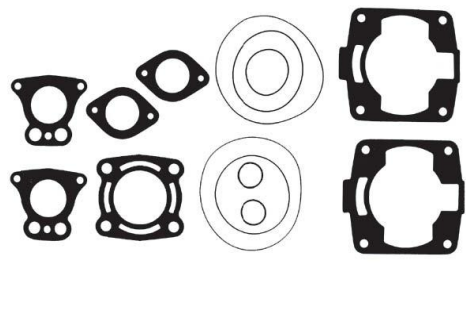
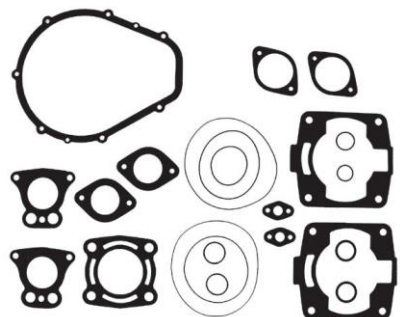

[gaskettech@citlink.net](mailto:gaskettech@citlink.net)  
[www.gaskettechnology.com](http://www.gaskettechnology.com)

# Polaris 700, Hurricane 700, Virage, Freedom

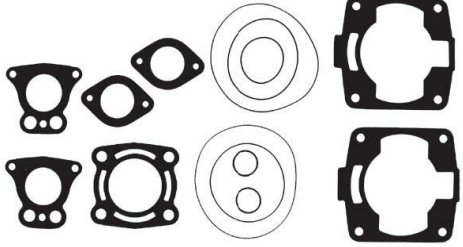
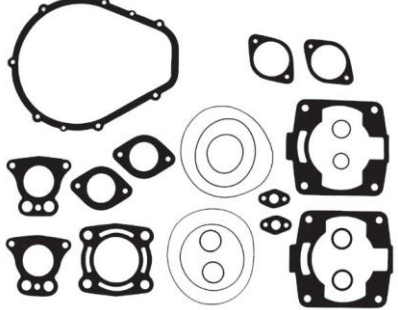

No. 4330 OEM. 5811045	No. 4335 OEM. 5830051	No. 4337 OEM. 5811145	No. 4339 OEM. 5830061
			
Exhaust (2 Required)	Head Pipe	Flywheel Cover	Water Manifold (2 Required)

No. 4340 OEM. 5411056	No. 4353 OEM. 5410860	No. 4356 OEM. 5410613	No. 4359 OEM. 3240114
			
Oil Pump O-Ring ALL	Thermostat Housing	Crank O-Ring	Starter O-Ring

No. 4365 OEM. 5410913	No. 4835 OEM. 5411937	No. 4368 OEM. 3610044	No. 4370K	No. 4372K
				
Oil Seal	Oil Seal Virage, Freedom	Oil Seal	Oil Seal Kit 700, Hurricane	Oil Seal Kit Virage, Freedom

No. 4375K	No. 4378K	No. 4379K
		
Top Kit 700, Hurricane	Complete Kit 700, Hurricane	Complete Kit W/Seals 700, Hurricane

# Polaris 700, Hurricane 700, Virage, Freedom

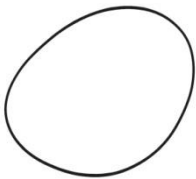
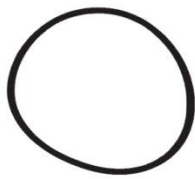
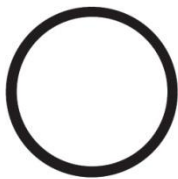
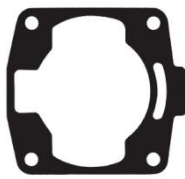
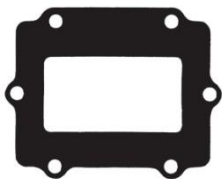
No. 4382K	No. 4386K	No. 4388K
		
<p>Top Kit Virage, Freedom</p>	<p>Complete Kit Virage, Freedom</p>	<p>Complete Kit W/Seals Virage, Freedom</p>

# Polaris Octane 777

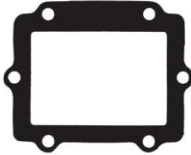


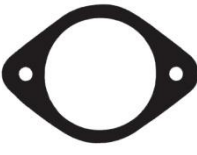

DESCRIPTION	OEM PART #	OURPART#	DISTRIB.	DEALER
HEAD O-RING (2 REQ'D) *	5412232	4300		
CYLINDER O-RING (2 REQ'D) *	5411573	4306		
SPARK PLUG O-RING (2 REQ'D) *	5410917	4310		
BASE (2 REQ'D) * .015	5811784	4805		
REED (ENGINE SIDE)	NOE **	4317		
REED (CARB SIDE)	NOE **	4319		
CARB (2 REQ'D) *	5830043	4320		
INJECTOR O-RING	5412393	4810		
ARRESTOR (2 REQ'D)	5830062	4325		
EXHAUST (2 REQ'D) *	5811045	4330		
ADAPTER	5812404	2330		
HEAD PIPE *	5812403	5900		
HEAD PIPE * VIRAGE 1 AFM-20 1.10	5830051	4815		
FLYWHEEL COVER	5811550	4337		
FLYWHEEL COVER VIRAGE 1	5812474	4820		
WATER JACKET VIRAGE 1	5812011	4825		
WATER MANIFOLD (2 REQ'D)	5830061	4339		
OIL PUMP COVER	5811789	4830		
OIL PUMP O-RING	5411293	4340		
<b>SEALS</b>				
CRANK O-RING	5410613	4356		
OIL SEAL PTO OCTANE (2 REQ'D)	5411937	4835		
OIL SEAL PTO VIRAGE 1 (2 REQ'D)	5412091	4840		
OIL SEAL	3610044	4368		
OIL SEAL KIT OCTANE	OCTANE	4845K		
OIL SEAL KIT VIRAGE 1	VIRAGE 1	4850K		
<b>KITS</b>				
OCTANE TOP KIT		4855K		
OCTANE COMPLETE KIT	OCTANE	4860K		
OCTANE COMPLETE KIT WITH SEALS	OCTANE	4865K		
VIRAGE 1 TOP KIT		4870K		
VIRAGE 1 COMPLETE KIT	VIRAGE 1	4875K		
VIRAGE 1 COMPLETE KIT WITH SEALS	VIRAGE 1	4880K		

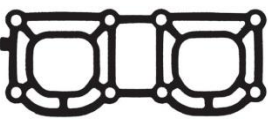


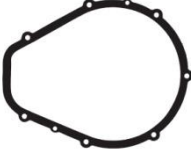
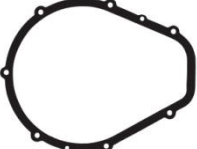
\* DENOTES ITEM IS INCLUDED IN TOP KIT

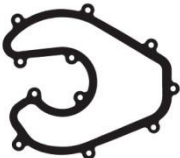
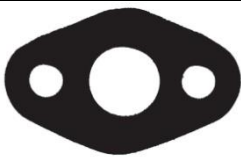


\*\* NOT ORIGINAL EQUIPMENT

No. 4300 OEM. 5412232	No. 4306 OEM. 5411573	No. 4310 OEM. 5410917	No. 4805 OEM. 5811784	No. 4317 NOE
				
Head O-Ring (2 Required)	Cylinder O-Ring (2 Required)	Spark Plug O-Ring (2 Required)	Base (2 Required)	Reed (Engine Side)

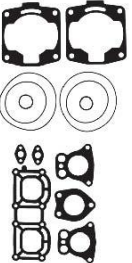





# Polaris Octane 777

No. 4319 NOE	No. 4320 OEM. 5830043	No. 4810 OEM. 5412393	No. 4325 OEM. 5830062	No. 4330 OEM. 5811045
				
Reed (Carb Side)	Carb (2 Required)	Injector O-Ring	Arrestor (2 Required)	Exhaust (2 Required)

No. 2330 OEM. 5812404	No. 5900 OEM. 5812403	No. 4815 OEM. 5830051	No. 4337 OEM. 5811550	No. 4820 OEM. 5812474
				
Adapter	Head Pipe	Head Pipe Virage 1Afm-20 1.10	Flywheel Cover	Flywheel Cover Virage 1

No. 4825 OEM. 5812011	No. 4339 OEM. 5830061	No. 4830 OEM. 5811789	No. 4340 OEM. 5411293
			
Water Jacket Virage 1	Water Manifold (2 Required)	Oil Pump Cover	Oil Pump O-Ring

No. 4356 OEM. 5410613	No. 4835 OEM. 5411937	No. 4840 OEM. 5412091	No. 4368 OEM. 3610044	No. 4845K	No. 4850K
					
Crank O-Ring	Oil Seal PTO Octane (2 Required)	Oil Seal PTO Virage (2 Required)	Oil Seal	Oil Seal Kit Octane	Oil Seal Kit Virage 1




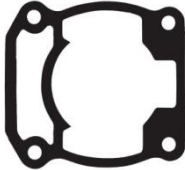
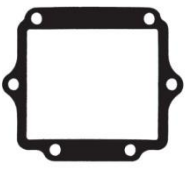
No. 4855K	No. 4860K	No. 4865K	No. 4870K	No. 4875K	No. 4880K
					
Octane Top Kit	Octane Complete Kit	Octane Complete Kit W/ Seals	Virage 1 Top Kit	Virage 1 Complete Kit	Virage 1 Complete Kit W/ Seals

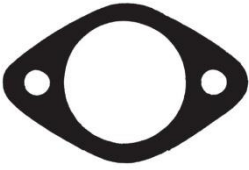
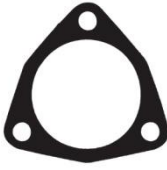

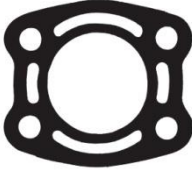
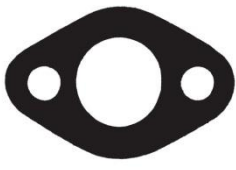


# Polaris 650 / 750

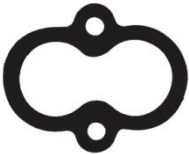
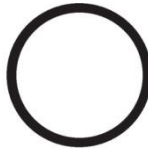


DESCRIPTION	OEM PART#	OURPART#	DISTRIB.	DEALER
HEAD 650 SS (3 REQ'D) *	3240057	4000		
HEAD 750 SS (3 REQ'D) *	3240213	4010		
HEAD 650 ULTIMATE GREEN .047	ULTIMATE	4020		
BASE (3 REQ'D) *	3240055	4040		
REED (6 REQ'D) *	3084148	4050		
CARB (6 REQ'D) *	3240128	5030		
AIR CLEANER (3 REQ'D)	5830013	4065		
EXHAUST (3 REQ'D) *	5211489	4070		
HEAD PIPE *	5830038	4080		
WATER MANIFOLD (3 REQ'D)	3082937	4100		
THERMOSTAT HOUSING	5410781	4110		
OIL PUMP O-RING	3083127	4112		
STARTER O-RING (2 REQ'D)	3240114	4359		
GAS CAP SEAL	5810871	4115		
<b>SEALS</b>				
OIL SEAL	3240041	4120		
OIL SEAL	3240042	4125		
OIL SEAL	3240043	4130		
OIL SEAL KIT	ALL	4135K		
<b>KITS</b>				
650 TOP KIT	650	4200K		
650 COMPLETE KIT	ALL	4210K		
650 COMPLETE KIT WITH SEALS	ALL	4215K		
750 TOP KIT	750	4220K		
750 COMPLETE KIT	ALL	4230K		
750 COMPLETE KIT WITH SEALS	ALL	4232K		

\* DENOTES ITEM IS INCLUDED IN TOP KIT

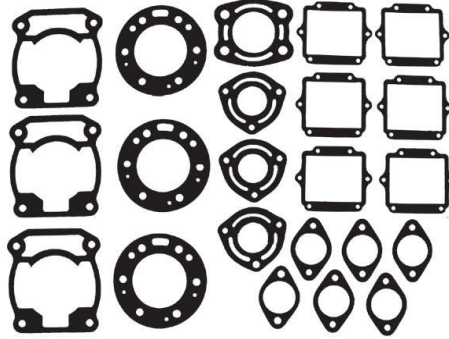
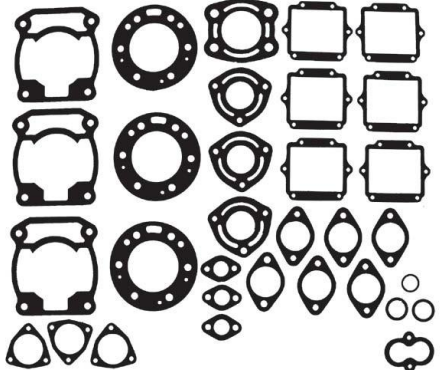
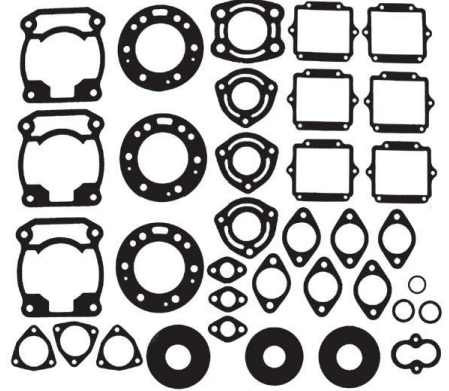
No. 4000 OEM. 3240057	No. 4010 OEM. 3240213	No. 4020 ULTIMATE	No. 4040 OEM. 3240055	No. 4050 OEM. 3084148
				
Head 650 SS (3 Required)	Head 750 SS (3 Required)	Head 650 .047	Base (3 Required)	Reed (6 Required)

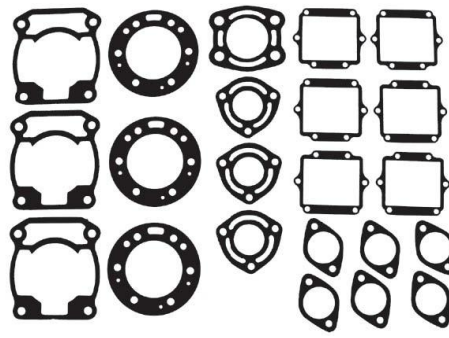
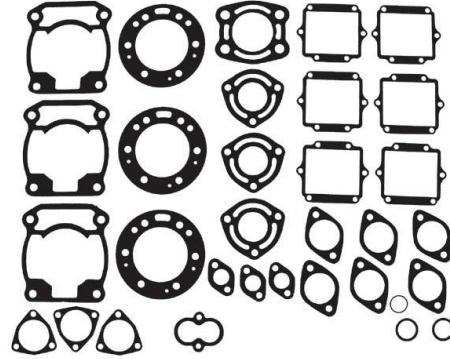
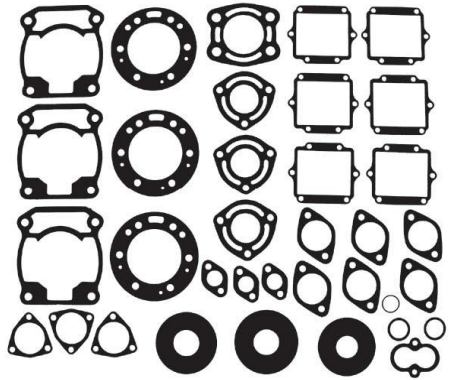
No. 5030 OEM. 3240128	No. 4065 OEM. 5830013	No. 4070 OEM. 5211489	No. 4080 OEM. 5830038	No. 4100 OEM. 3082937
				
Carb (6 Required)	Air Cleaner (3 Required)	Exhaust (3 Required)	Head Pipe	Water Manifold (3 Required)

# Polaris 650 / 750

No. 4110 OEM. 5410781	No. 4112 OEM. 3083127	No. 4359 OEM. 3240114	No. 4115 OEM. 5810871
			
Thermostat Housing	Oil Pump O-Ring	Starter O-Ring (2 Required)	Gas Cap Seal

No. 4120 OEM. 3240041	No. 4125 OEM. 3240042	No. 4130 OEM. 3240043	No. 4135K
			
Oil Seal	Oil Seal	Oil Seal	Oil Seal Kit



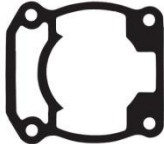
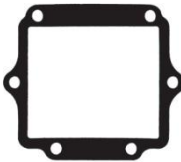


No. 4200K	No. 4210K	No. 4215K
		
650 Top Kit	650 Complete Kit	650 Complete Kit W/ Seals


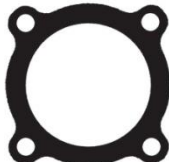


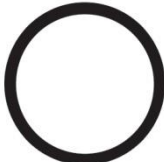
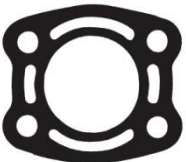
No. 4220K	No. 4230K	No. 4232K
		
750 Top Kit	750 Complete Kit	750 Complete Kit W/ Seals

# Polaris 780 / 785 PRO

DESCRIPTION	OEM PART #	OURPART#	DISTRIB.	DEALER
HEAD 780 STAINLESS STEEL (3 REQ'D) *	3240251	4035		
HEAD 785 STAINLESS STEEL *	3240305	4037		
BASE (3 REQ'D) *	3240249	4040		
REED (9 REQ'D) *	3084148	4050		
780 CARB (3 REQ'D) *	3240128	5030		
785 CARB (3 REQ'D) *	3240358	9240		
780 AIR CLEANER (3 REQ'D)	5830013	4065		
785 AIR CLEANER (3 REQ'D)	5830115	5540		
780 EXHAUST *	5211623	4077		
785 EXHAUST *	5211725	4078		
785 EXHAUST O-RING (6 REQ'D)	5411311	4079		
HEAD PIPE *	5830038	4080		
785 POWER VALVE (3 REQ'D)	3240313	4085		
WATER MANIFOLD (3 REQ'D)	3082937	4100		
OIL PUMP O-RING	3083127	4112		
THERMOSTAT HOUSING	5410781	4110		
STARTER O-RING (2 REQ'D)	3240114	4359		
GAS CAP SEAL	5810871	4115		
<b>SEALS</b>				
OIL SEAL	3240041	4120		
OIL SEAL	3240042	4125		
OIL SEAL	3240043	4130		
OIL SEAL KIT	ALL	4135K		
<b>KITS</b>				
780 TOP KIT *	780	4235K		
780 COMPLETE KIT	780	4240K		
780 COMPLETE KIT WITH SEALS	780	4245K		
785 TOP KIT *	785	4250K		
785 COMPLETE KIT	785	4260K		
785 COMPLETE KIT WITH SEALS	785	4265K		

\* DENOTES ITEM IS INCLUDED IN TOP KIT

No. 4035 OEM. 3240251	No. 4037 OEM. 3240305	No. 4040 OEM. 3240249	No. 4050 OEM. 3084148	No. 5030 OEM. 3240128	No. 9240 OEM. 3240358
					
Head 780 SS (3 Required)	Head 785 SS	Base (3 Required)	Reed (6 Required)	780 Carb (3 Required)	785 Carb (3 Required)



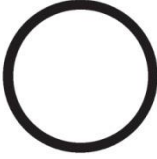
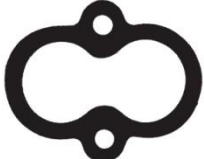
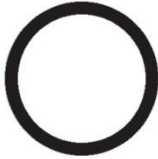

No. 4065 OEM. 5830013	No. 5540 OEM. 5830115	No. 4077 OEM. 5211623	No. 4078 OEM. 5211725	No. 4079 OEM. 5411311	No. 4080 OEM. 5830038
					
780 Air Cleaner (3 Required)	785 Air Cleaner (3 Required)	780 Exhaust	785 Exhaust	785 Exhaust O-Ring (6 Required)	Head Pipe





1600 W. Acoma Blvd. #18 / Lake Havasu City. AZ 86403 / (928) 680-4387 / Fax (928) 680-4388

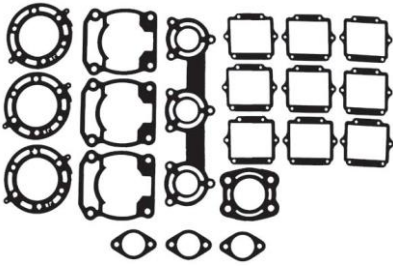
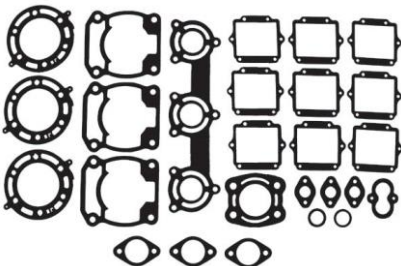
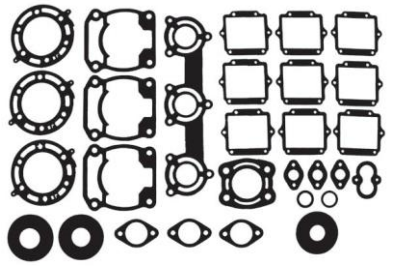
[gaskettech@citlink.net](mailto:gaskettech@citlink.net)  
[www.gaskettechnology.com](http://www.gaskettechnology.com)

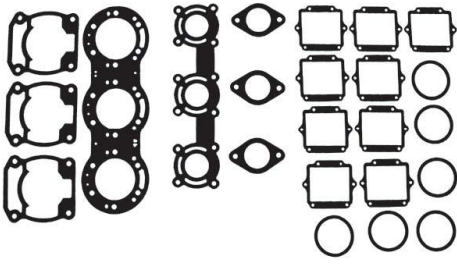
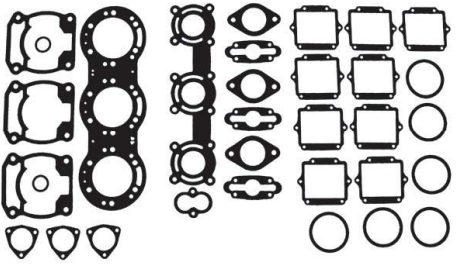
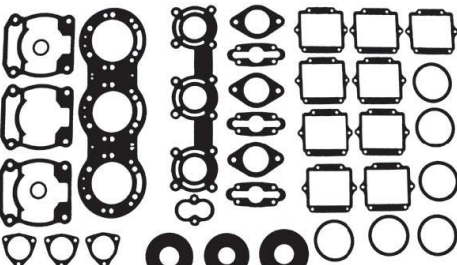


# Polaris 780 / 785 PRO

No. 4085 OEM. 3240313	No. 4100 OEM. 3082937	No. 4112 OEM. 3083127	No. 4110 OEM. 5410781	No. 4359 OEM. 3240114	No. 4115 OEM. 5810871
					
785 Power Valve (3 Required)	Water Manifold (3 Required)	Oil Pump O-Ring	Thermostat Housing	Starter O-Ring (2 Required)	Gas Cap Seal

No. 4120 OEM. 3240041	No. 4125 OEM. 3240042	No. 4130 OEM. 3240043	No. 4135K
			
Oil Seal	Oil Seal	Oil Seal	Oil Seal Kit

No. 4235K	No. 4240K	No. 4245K
		
780 Top Kit	780 Complete Kit	780 Complete Kit W/ Seals

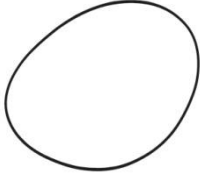
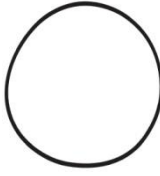
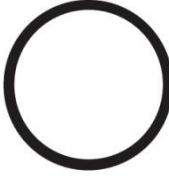
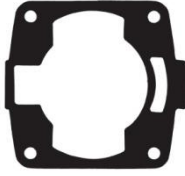
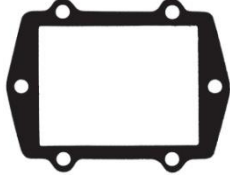
No. 4250K	No. 4260K	No. 4265K
		
785 Top Kit	785 Complete Kit	785 Complete Kit W/ Seals

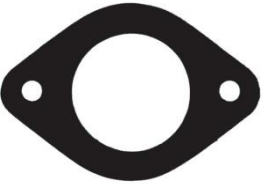
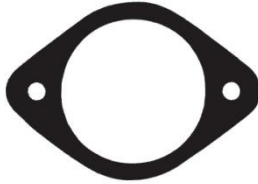


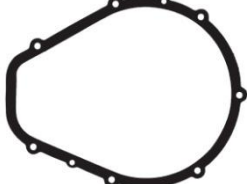
# Polaris 900

DESCRIPTION	OEM PART #	OURPART#	DISTRIB.	DEALER
HEAD O-RING (3 REQ'D) *	5410931	4300		
CYLINDER O-RING (3 REQ'D) *	5410932	4303		
SPARK PLUG O-RING (3 REQ'D) *	5410917	4310		
BASE (3 REQ'D) *	5811057	4315		
REED	NOE **	4318		
CARB (3 REQ'D) *	5830043	4320		
AIR CLEANER (3 REQ'D)	5830062	4325		
EXHAUST (3 REQ'D) *	5811045	4330		
HEAD PIPE *	5830051	4335		
FLYWHEEL COVER	5811550	4337		
WATER MANIFOLD	5830061	4339		
OIL PUMP O-RING	5411293	4340		
THERMOSTAT HOUSING	5410860	4353		
CRANK O-RING	5410613	4356		
STARTER O-RING	3240114	4359		
<b>SEALS</b>				
OIL SEAL	5411524	4365		
OIL SEAL	3610044	4368		
OIL SEAL KIT	ALL	4370K		
<b>KITS</b>				
900 TOP KIT *	*	4380K		
900 COMPLETE KIT	ALL	4383K		
900 COMPLETE KIT WITH SEALS	ALL	4384K		

\* DENOTES ITEM IS INCLUDED IN TOP KIT

\*\* NOT ORIGINAL EQUIPMENT



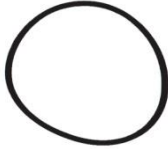
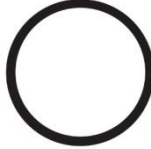

No. 4300 OEM. 5410931	No. 4303 OEM. 5410932	No. 4310 OEM. 5410917	No. 4315 OEM. 5811057	No. 4318
				
Head O-Ring (3 Required)	Cylinder O-Ring (3 Required)	Spark Plug O-Ring (3 Required)	Base (3 Required)	Reed Gasket

No. 4320 OEM. 5830043	No. 4325 OEM. 5830062	No. 4330 OEM. 5811045	No. 4335 OEM. 5830051	No. 4337 OEM. 5811550
				
Carb (3 Required)	Air Cleaner (3 Required)	Exhaust (3 Required)	Head Pipe	Flywheel Cover

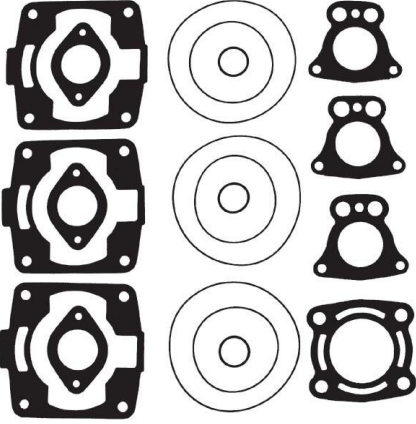
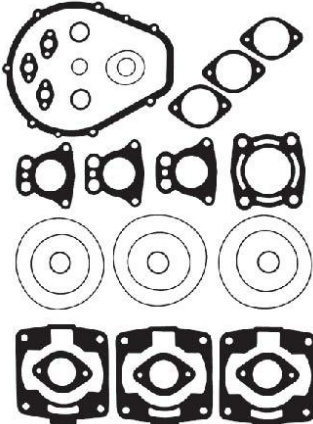
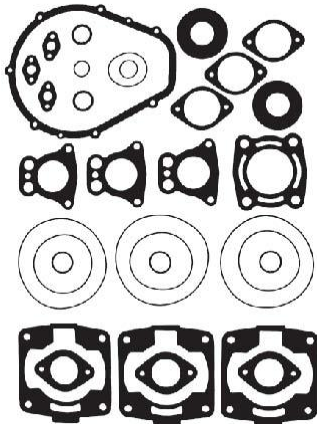
1600 W. Acoma Blvd. #18 / Lake Havasu City. AZ 86403 / (928) 680-4387 / Fax (928) 680-4388

[gaskettech@citlink.net](mailto:gaskettech@citlink.net)  
[www.gaskettechnology.com](http://www.gaskettechnology.com)

# Polaris 900

No. 4339 OEM. 5830061	No. 4340 OEM. 5411293	No. 4353 OEM. 5410860	No. 4356 OEM. 5410613	No. 4359 OEM. 3240114
				
Water Manifold	Oil Pump O-Ring	Thermostat Housing	Crank O-Ring	Starter O-Ring

No. 4365 OEM. 5411524	No. 4368 OEM. 3610044	No. 4370K
		
Oil Seal	Oil Seal	Oil Seal Kit

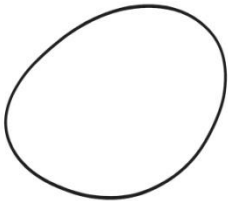
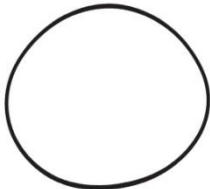
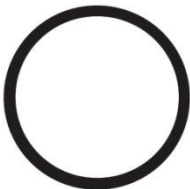
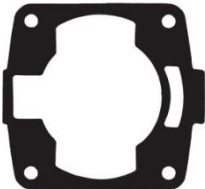
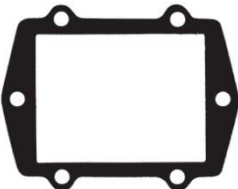
No. 4380K	No. 4383K	No. 4384K
		
900 Top Kit	900 Complete Kit	900 Complete Kit W/ Seals

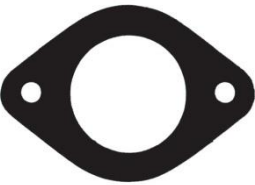
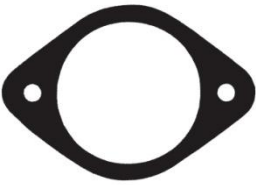


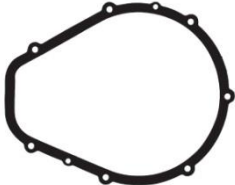
# Polaris 1050

DESCRIPTION	OEM PART #	OURPART#	DISTRIB.	DEALER
HEAD O-RING (3 REQ'D) *	5410931	4300		
CYLINDER O-RING (3 REQ'D) *	5410932	4305		
SPARK PLUG O-RING (3 REQ'D) *	5410917	4310		
BASE (3 REQ'D) *	5811057	4316		
REED	NOE **	4318		
CARB (3 REQ'D) *	5830043	4320		
AIR CLEANER (3 REQ'D)	5830062	4325		
EXHAUST (3 REQ'D) *	5811045	4330		
HEAD PIPE *	5830051	4335		
FLYWHEEL COVER	5811550	4337		
WATER MANIFOLD	5830061	4339		
OIL PUMP O-RING	5411293	4340		
THERMOSTAT HOUSING	5410860	4353		
CRANK O-RING	5410613	4356		
STARTER O-RING	3240114	4359		
<b>SEALS</b>				
OIL SEAL	5411524	4365		
OIL SEAL	3610044	4368		
OIL SEAL KIT	ALL	4370K		
<b>KITS</b>				
1050 TOP KIT *	*	4385K		
1050 COMPLETE KIT	ALL	4390K		
1050 COMPLETE KIT WITH SEALS	ALL	4392K		

\* DENOTES ITEM IS INCLUDED IN TOP KIT

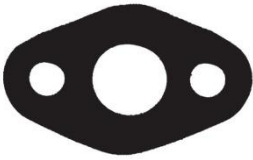

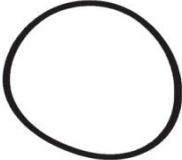
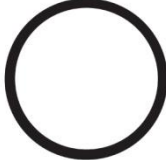

\*\* NOT ORIGINAL EQUIPMENT

No. 4300 OEM. 5410931	No. 4305 OEM. 5410932	No. 4310 OEM. 5410917	No. 4316 OEM. 5811057	No. 4318
				
Head O-Ring(3 Required)	Cylinder O-Ring(3 Required)	Spark Plug O-Ring(3 Required)	Base (3 Required)	Reed Gasket

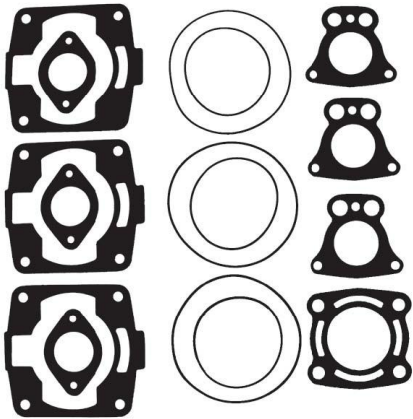
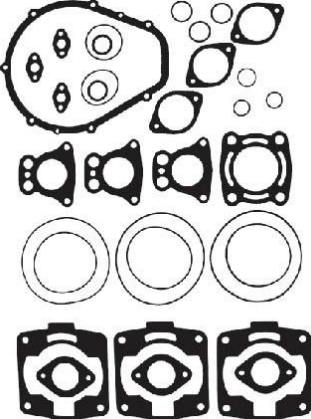
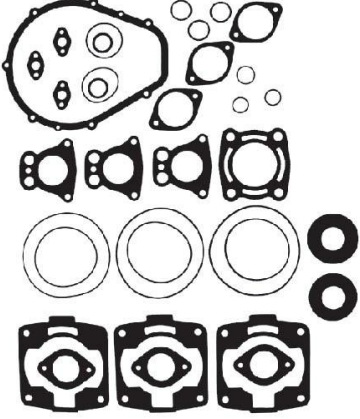
No. 4320 OEM. 5830043	No. 4325 OEM. 5830062	No. 4330 OEM. 5811045	No. 4335 OEM. 5830051	No. 4337 OEM. 5811550
				
Carb (3 Required)	Air Cleaner (3 Required)	Exhaust (3 Required)	Head Pipe	Flywheel Cover



# Polaris 1050

No. 4339 OEM. 5830061	No. 4340 OEM. 5411293	No. 4353 OEM. 5410860	No. 4356 OEM. 5410613	No. 4359 OEM. 3240114
				
Water Manifold	Oil Pump O-Ring	Thermostat Housing	Crank O-Ring	Starter O-Ring

No. 4365 OEM. 5411524	No. 4368 OEM. 3610044	No. 4370K
		
Oil Seal	Oil Seal	Oil Seal Kit

No. 4385K	No. 4390K	No. 4392K
		
1050 Top Kit	1050 Complete Kit	1050 Complete Kit W/ Seals

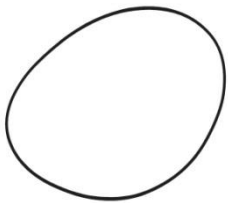
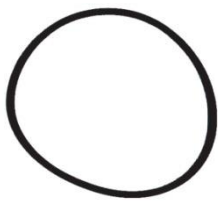
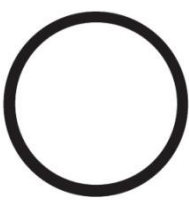
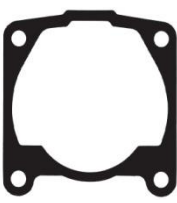
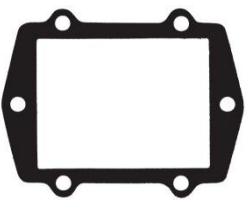


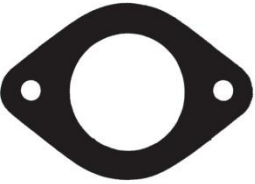
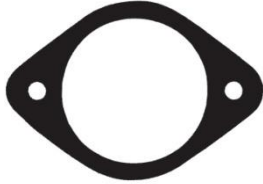


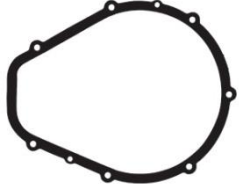
# Polaris 1200 Genesis

DESCRIPTION	OEM PART #	OURPART#	DISTRIB.	DEALER
HEAD O-RING (3 REQ'D) *	5410931	4300		
CYLINDER O-RING (3 REQ'D) *	5411573	4306		
SPARK PLUG O-RING (3 REQ'D) *	5410917	4310		
BASE (3 REQ'D) *	5830123	4316		
REED	NOE **	4318		
CARB (3 REQ'D) *	5830043	4320		
AIR CLEANER (3 REQ'D)	5830062	4325		
EXHAUST (3 REQ'D) *	5811045	4330		
HEAD PIPE *	5830051	4335		
FLYWHEEL COVER	5811550	4337		
WATER MANIFOLD	5830061	4339		
OIL PUMP O-RING	5411293	4340		
THERMOSTAT HOUSING	5410860	4353		
CRANK O-RING	5410613	4356		
STARTER O-RING	3240114	4359		
<b>SEALS</b>				
OIL SEAL	5411524	4365		
OIL SEAL	3610044	4368		
OIL SEAL (2 REQ'D)	5411937	4835		
OIL SEAL KIT (1999 ONLY)	1999	4370K		
OIL SEAL KIT (2000+)	2000+	4845K		
<b>KITS</b>				
1200 TOP KIT	ALL	4394K		
1200 COMPLETE KIT	ALL	4395K		
1200 COMPLETE KIT WITH SEALS	ALL	4398K		

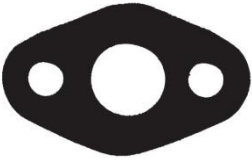

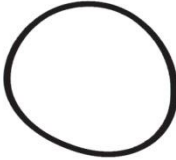
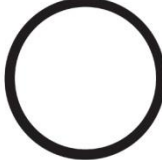

\* DENOTES ITEM IS INCLUDED IN TOP KIT

\*\* NOT ORIGINAL EQUIPMENT

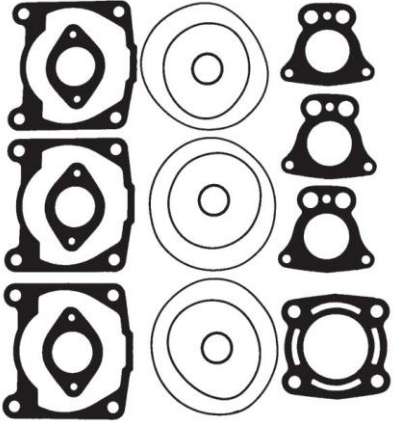
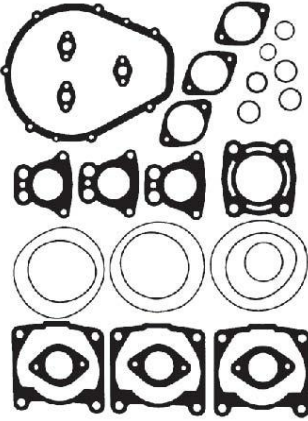
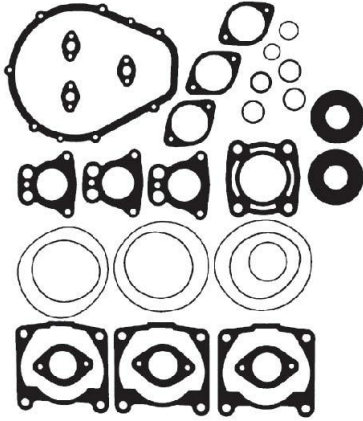
No. 4300 OEM. 5410931	No. 4306 OEM. 5411573	No. 4310 OEM. 5410917	No. 4316 OEM. 5830123	No. 4318
				
Head O-Ring (3 Required)	Cylinder O-Ring (3 Required)	Spark Plug O-Ring (3 Required)	Base (3 Required)	Reed Gasket

No. 4320 OEM. 5830043	No. 4325 OEM. 5830062	No. 4330 OEM. 5811045	No. 4335 OEM. 5830051	No. 4337 OEM. 5811550
				
Carb (3 Required)	Air Cleaner (3 Required)	Exhaust (3 Required)	Head Pipe	Flywheel Cover

# Polaris 1200 Genesis

No. 4339 OEM. 5830061	No. 4340 OEM. 5411293	No. 4353 OEM. 5410860	No. 4356 OEM. 5410613	No. 4359 OEM. 3240114
				
Water Manifold	Oil Pump O-Ring	Thermostat Housing	Crank O-Ring	Starter O-Ring

No. 4365 OEM. 5411524	No. 4368 OEM. 3610044	No. 4370K
		
Oil Seal	Oil Seal	Oil Seal Kit

No. 4394K	No. 4395K	No. 4398K
		
1200 Top Kit	1200 Complete Kit	1200 Complete Kit W/ Seals