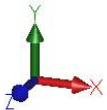
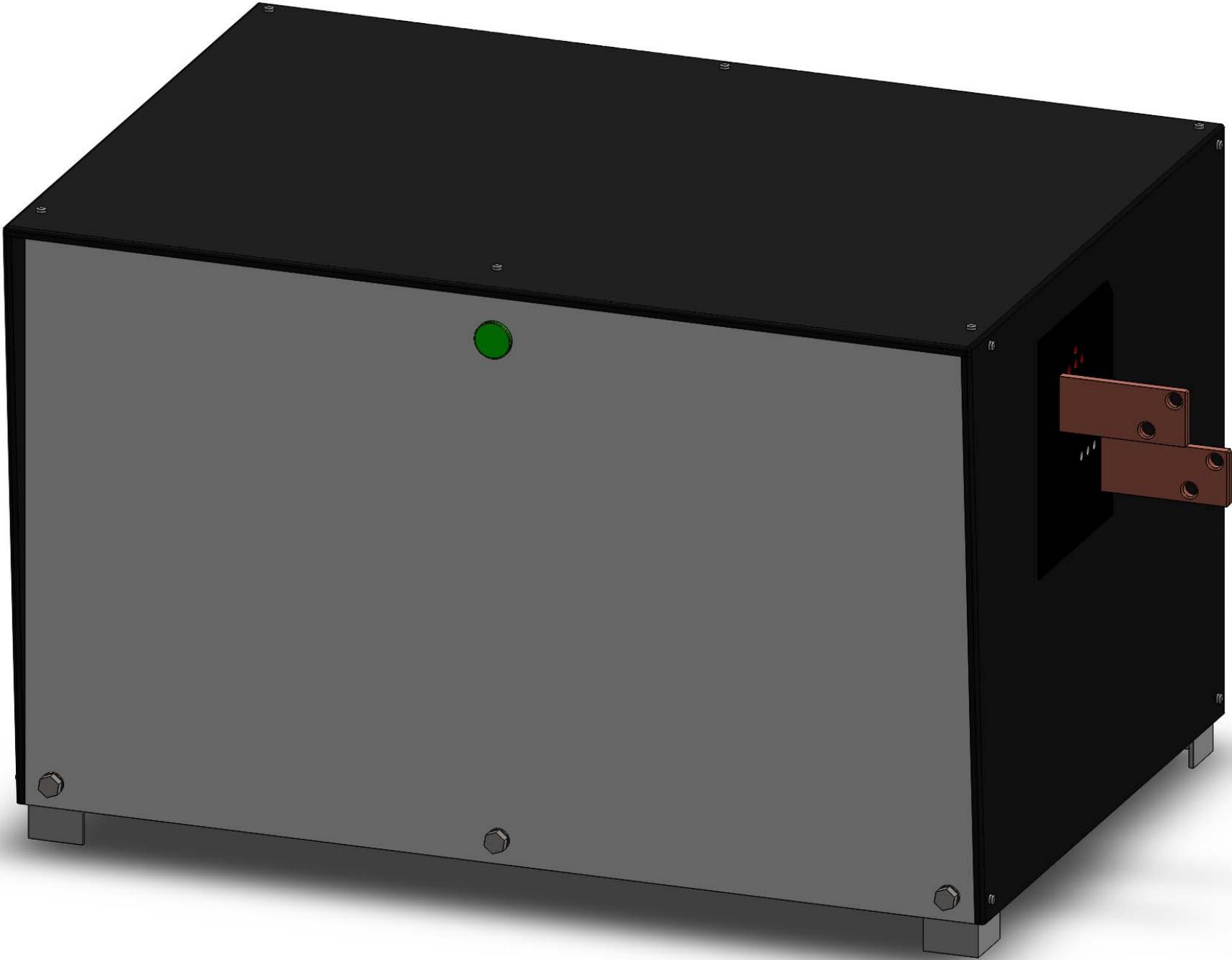


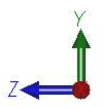
POLY #3S CABINET



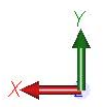
FRONT



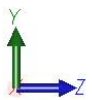
RIGHT

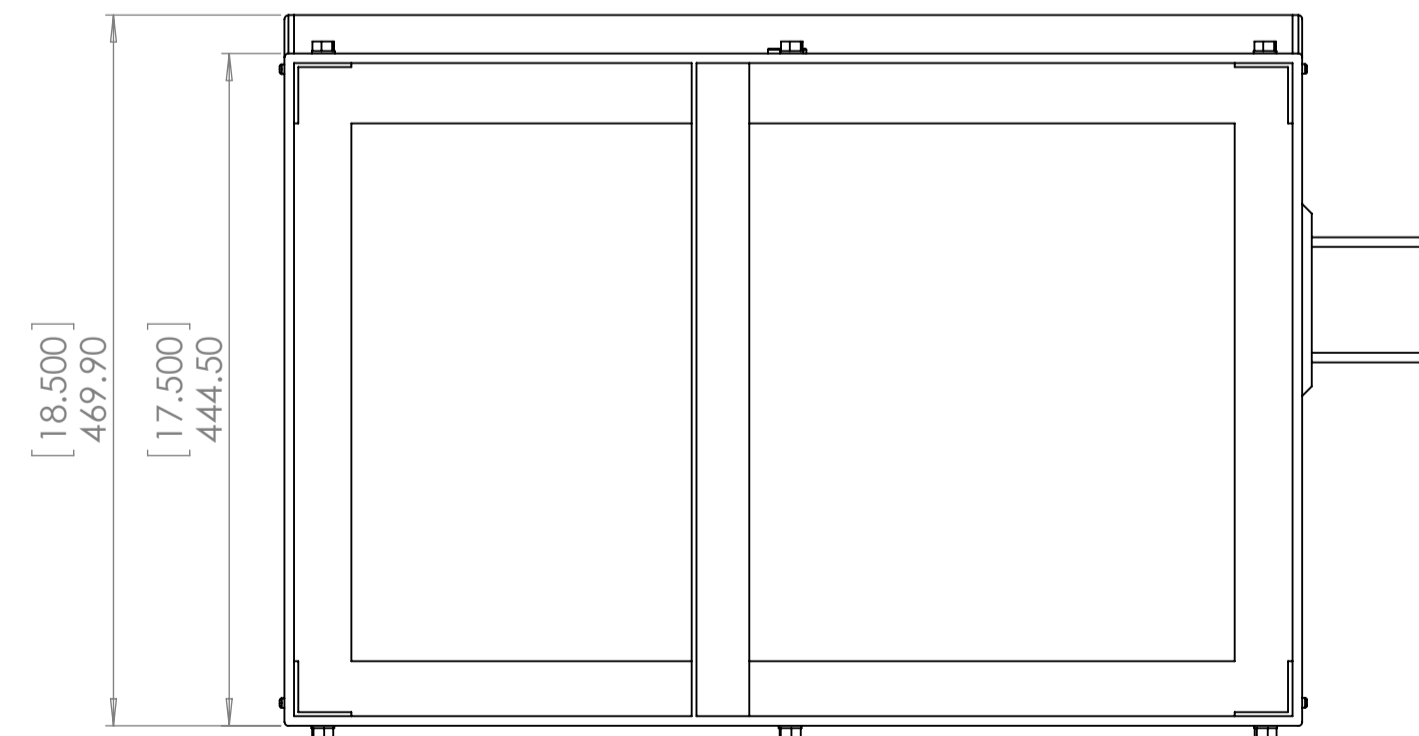
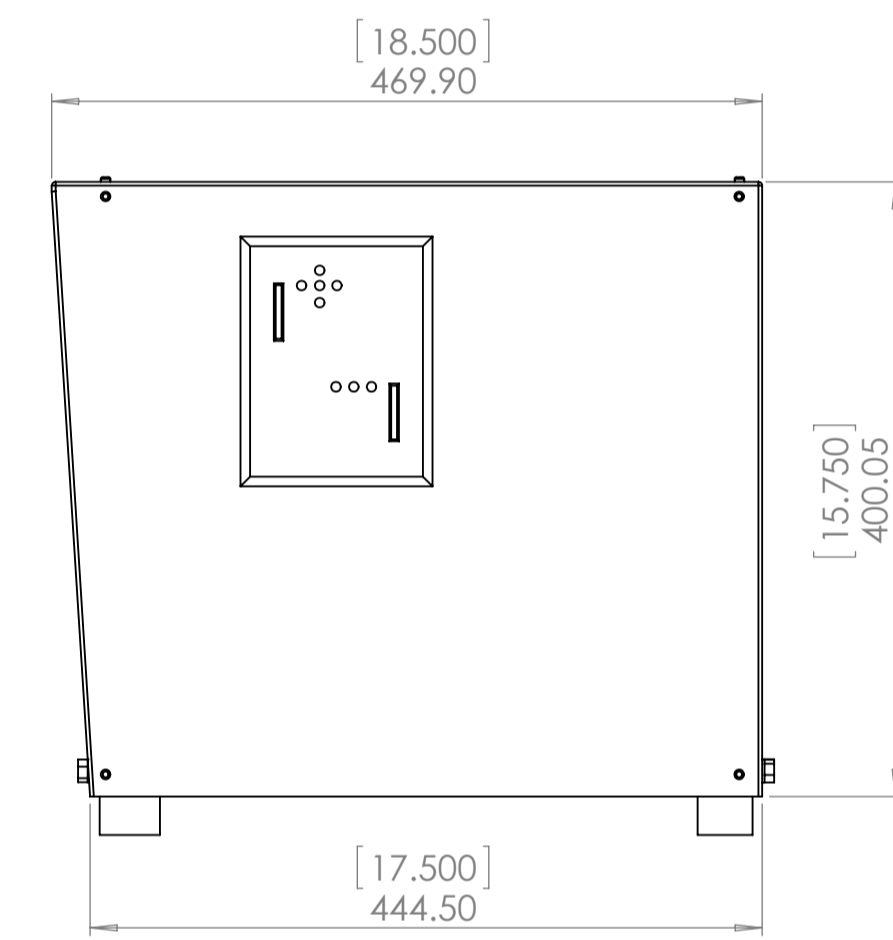
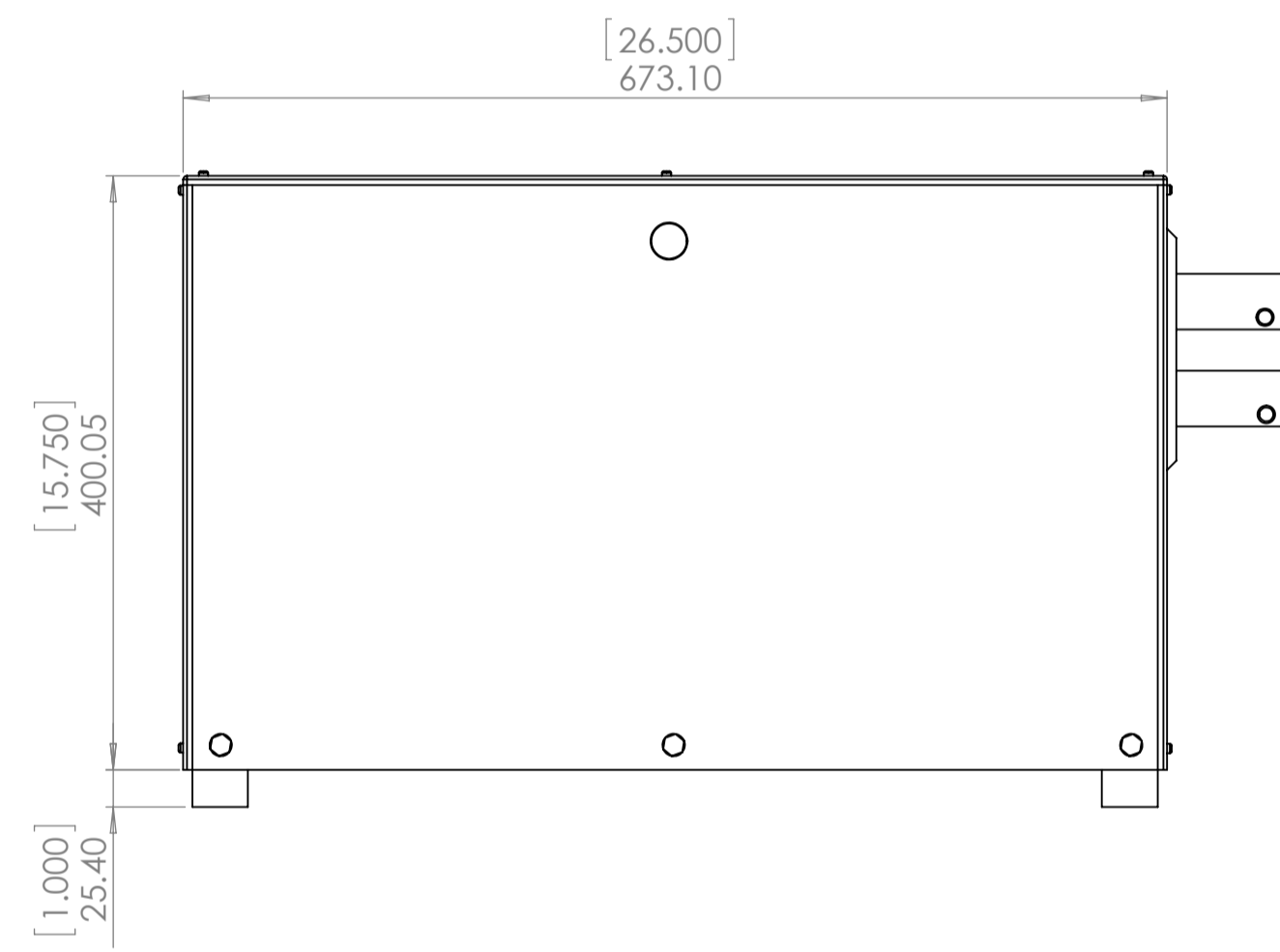
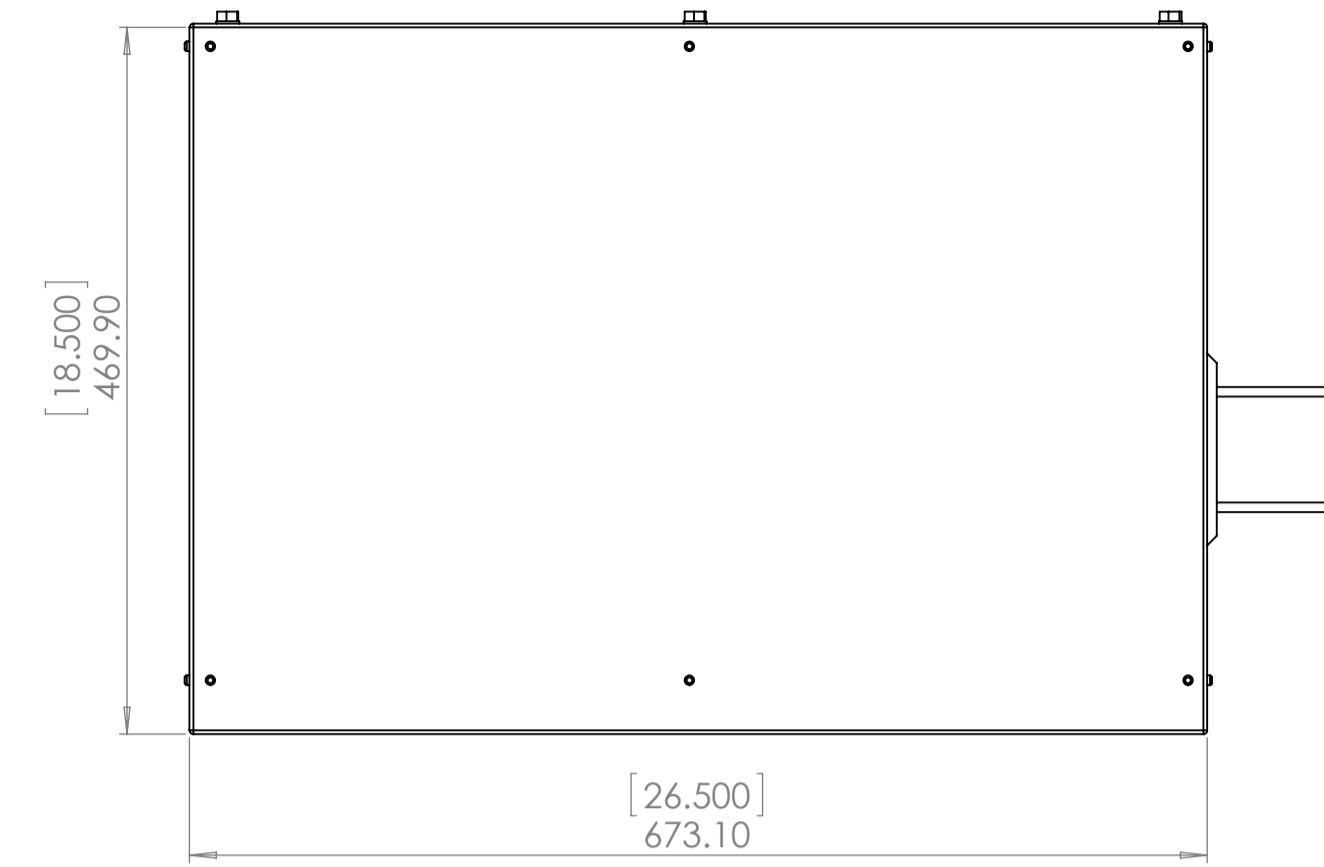
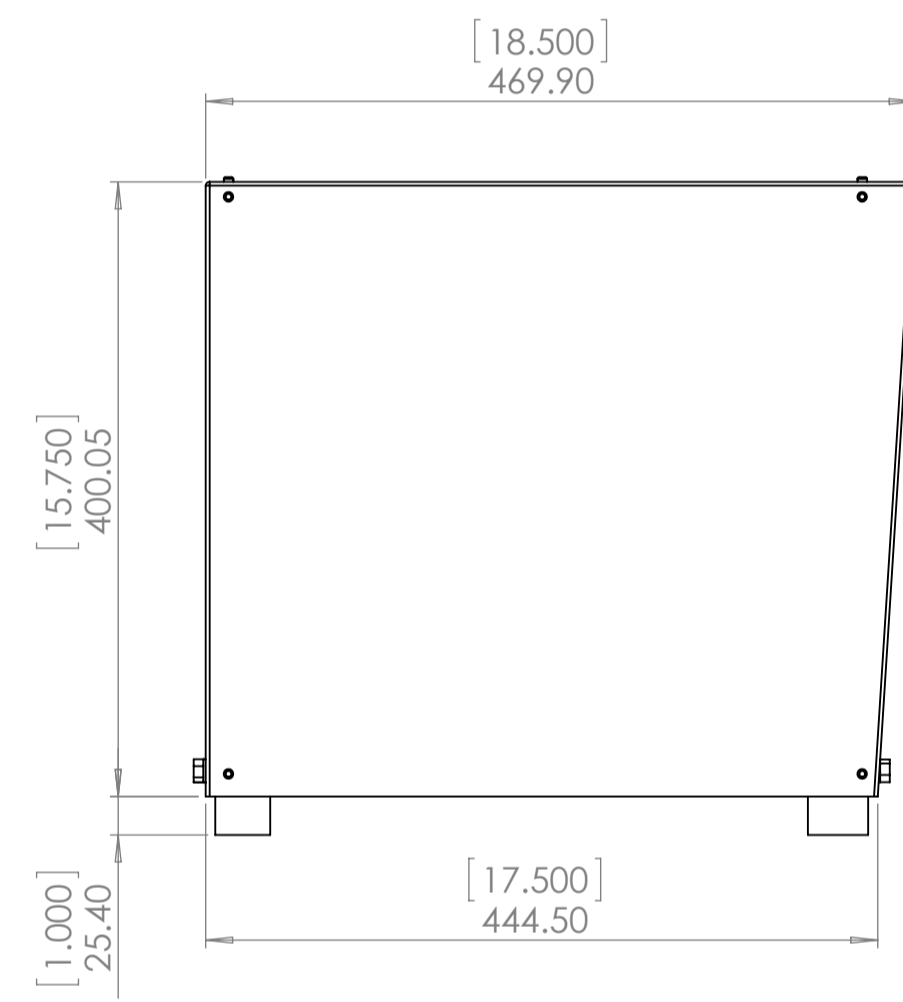


BACK



LEFT





UNLESS OTHERWISE SPECIFIED: DIMENSIONS ARE IN MILLIMETERS SURFACE FINISH: TOLERANCES: LINEAR: ANGULAR:			FINISH:	DEBUR AND BREAK SHARP EDGES	DO NOT SCALE DRAWING	REVISION
				ALDONEX, INC.		
				TITLE: ENCLOSURE		
DRAWN	SO		DATE	5/30/19		
CHK'D	SO		DATE	5/30/19		
APP'VD						
MFG						
Q.A.					MATERIAL: POLY	DWG NO. #3S CABINET A1
				WEIGHT:	SCALE: 1:5	SHEET 1 OF 1