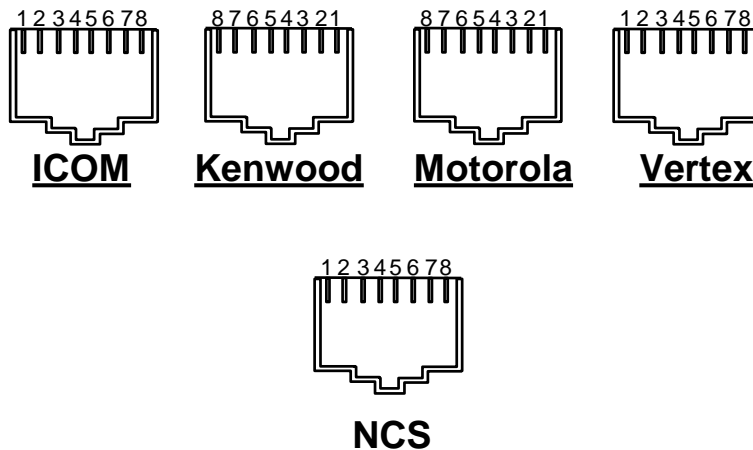


## NCS-C250 Microphone Jumper Settings for Various Types of Microphones

This application note illustrates the NCS-C250 microphone jumper settings for various types of microphones and headsets. A photo of the microphone and the microphone setup area on the main PC board are shown for each microphone type or series. All microphones shown in this application note are terminated in an RJ-45 8 pin modular plug and are compatible for use with the NCS-C250 Mobile Multi-Switcher.

For microphones not listed in this document refer to Collcomm Application Note NCS-AP-100 "Set-up Procedure for Using Various Type Microphones with the NCS-C250".

There is no standard among radio manufacturers for numbering of the RJ45 mic jacks and this is a frequent point of confusion in setting the mic jumpers in the NCS-C250 for a particular microphone. Refer to Application Note APN-250-100 for a detailed discussion. Shown below for reference are the RJ45 mic jacks found on various manufacturer's radios. Notice that the pin numbering for the Motorola and Kenwood RJ45 mic jack is opposite to that of the NCS-C250, while the Vertex and ICOM numbering is the same as that of the NCS-C250.

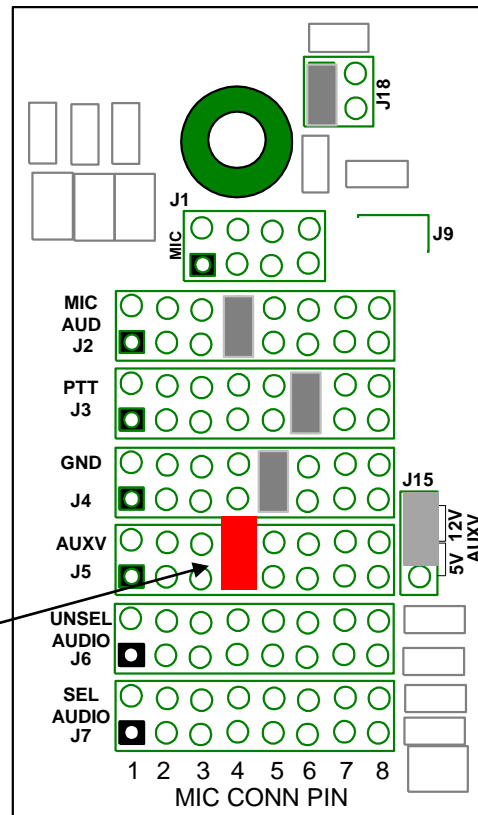


**Manufacturer: Collcomm**



**NCS-E217  
Palm Mic**

**Special Shunt**  
P/N AS101802 Included  
with the NCS-E217 mic  
must be placed in this  
position.



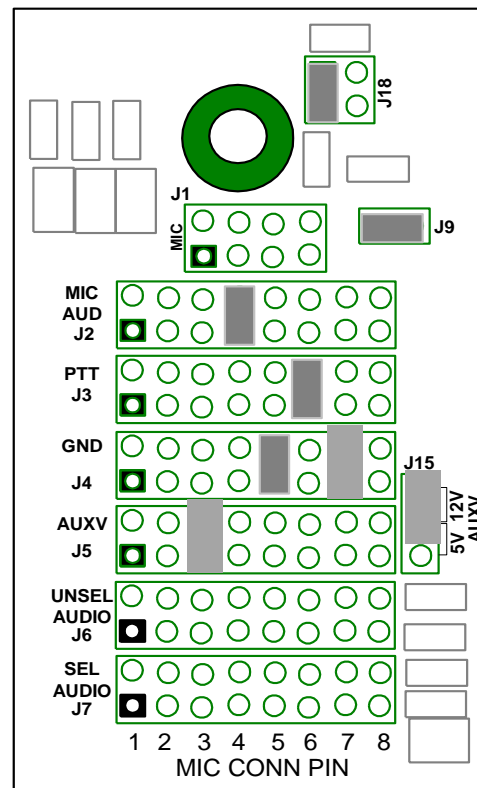
**Manufacturer: Collcomm**



**NCS-E219  
DTMF Mic**



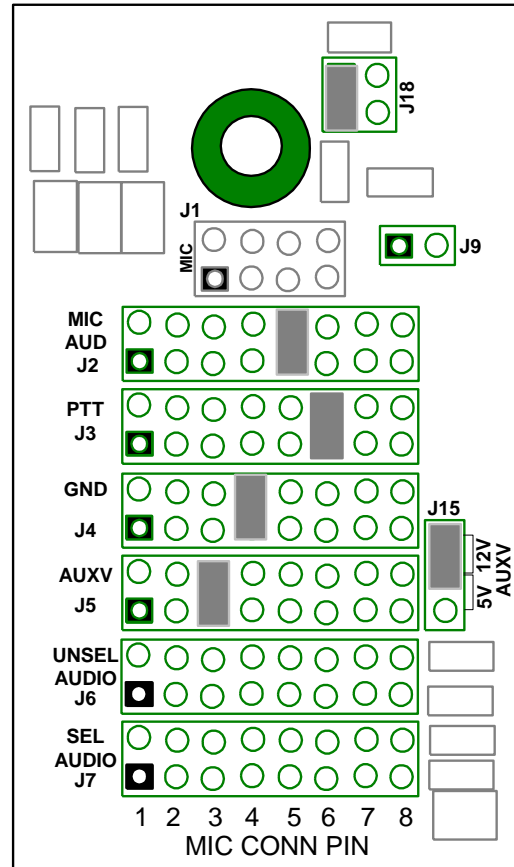
**NCS-E411  
Desk Mic**



**Manufacturer: Collcomm**



**NCS-E214  
DTMF Mic**



**Manufacturer: Collcomm**

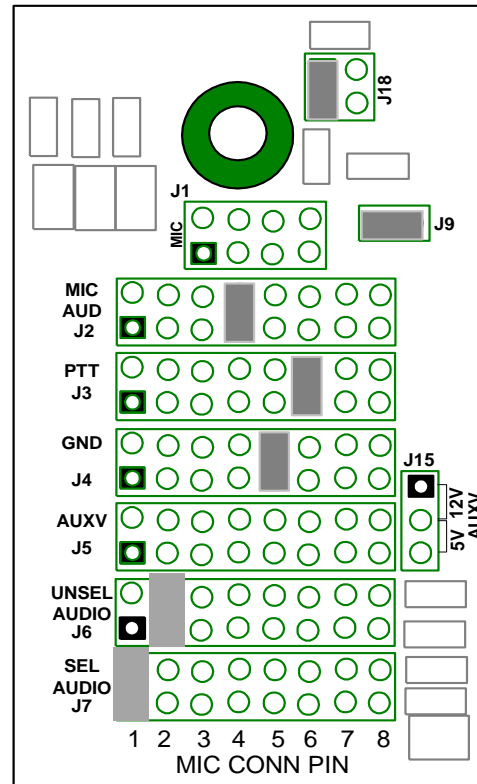
**Dual Ear (Stereo) Headsets**



**NCS-E305 ProSet Headset**



**NCS-E326 ProSet Elite Headset**



**Note:**  
 The above jumper settings are valid when using the NCS-250-HHS-01.5 headset adaptor cable.

**Manufacturer: Collcomm**

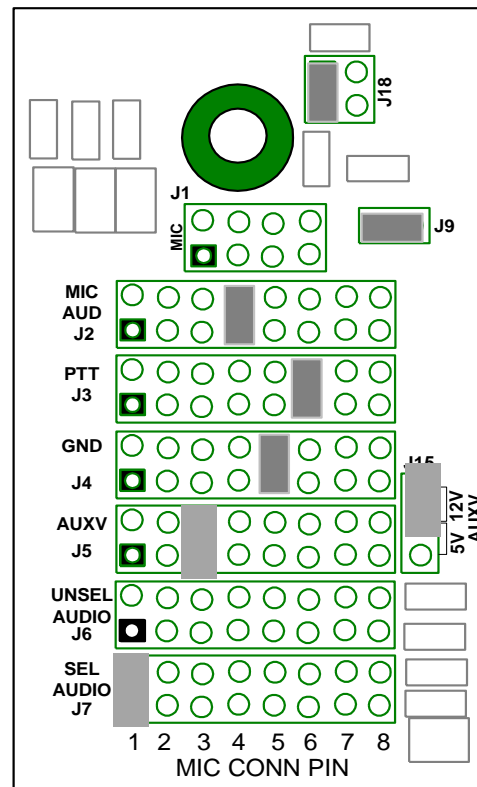
**Single Ear Headsets**



**NCS-E302 Single Ear Headset**



**NCS-E303 Single Ear Headset  
With In-Line PTT**



**Manufacturer: Motorola**



**HMN1035**



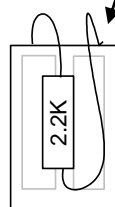
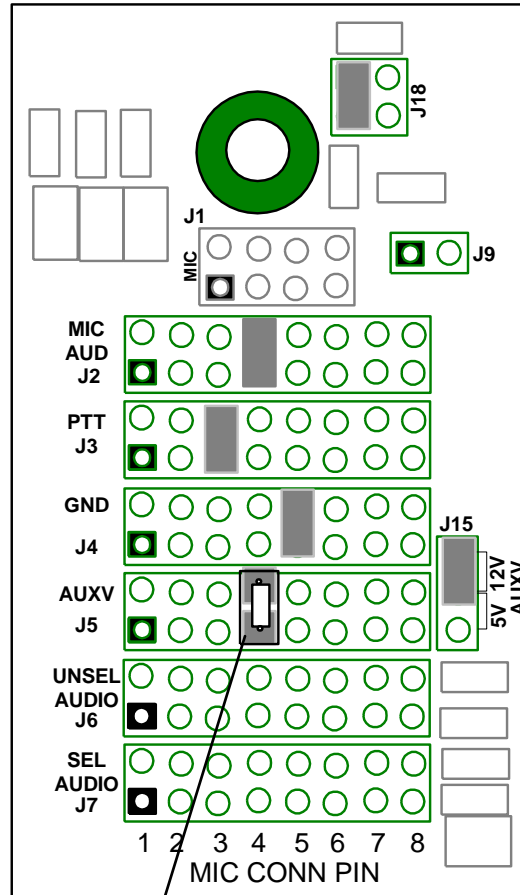
**AARMN4025**



**HMN1056**



**HMN1038**



Requires Special Jumper with 2.2K Ohm resistor installed.

Available from NCS  
P/N NCS-MMJ-2K

**Other compatible microphones:**

Model	Description
AAREX4617B	Telephone style handset
HMN3000B	Desk Mic
HMN3596R	Compact palm mic

**Manufacturer: Kenwood**



**KMC-27AM**



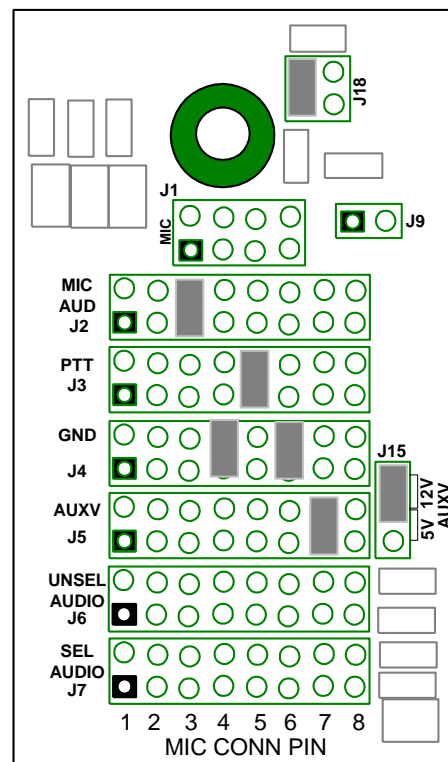
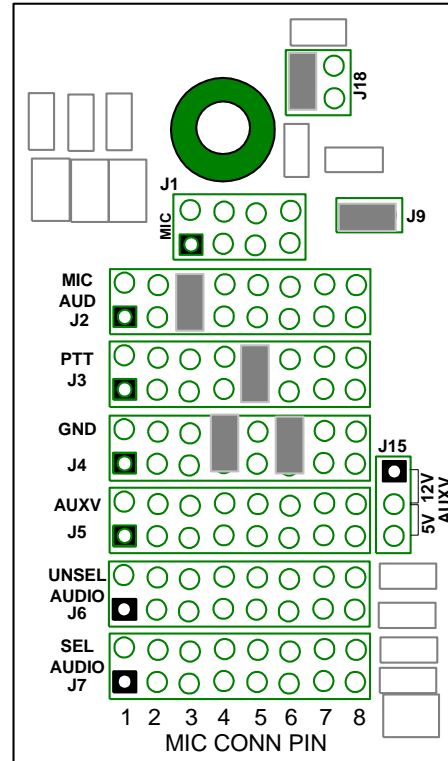
**KMC-30M**



**KMC-35**



**KMC-9CM**





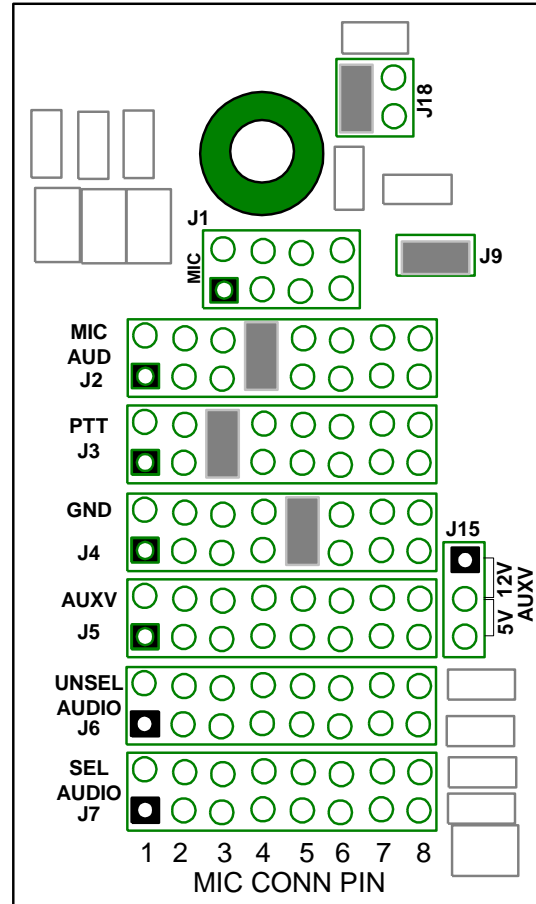
**Manufacturer: Vertex**



**MH-25A8J**



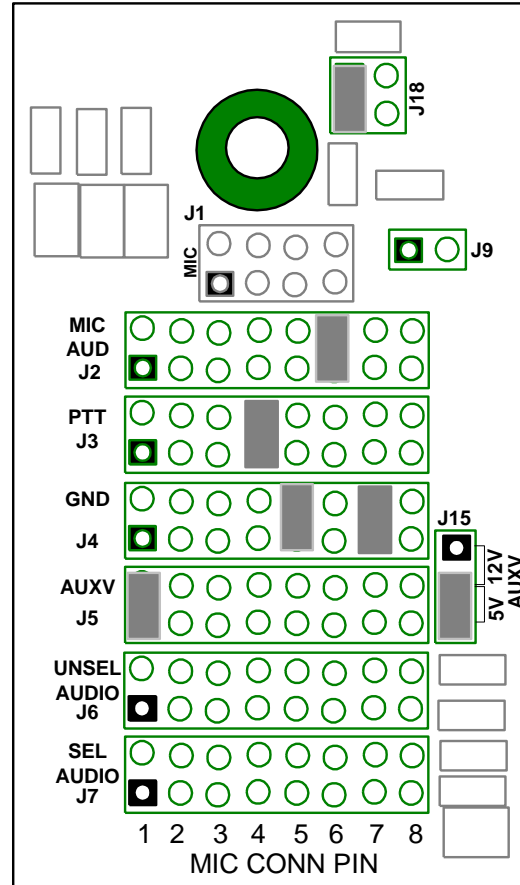
**MD-11A8J**



**Manufacturer: ICOM**



**HM-151**



**Manufacturer: ICOM**



**HM-151T**

