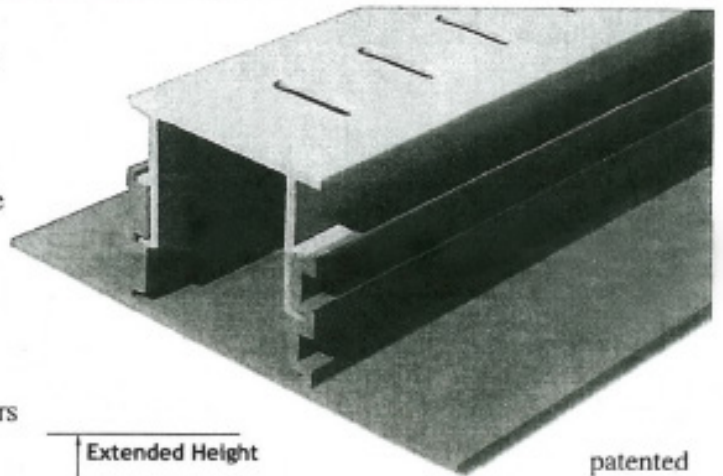
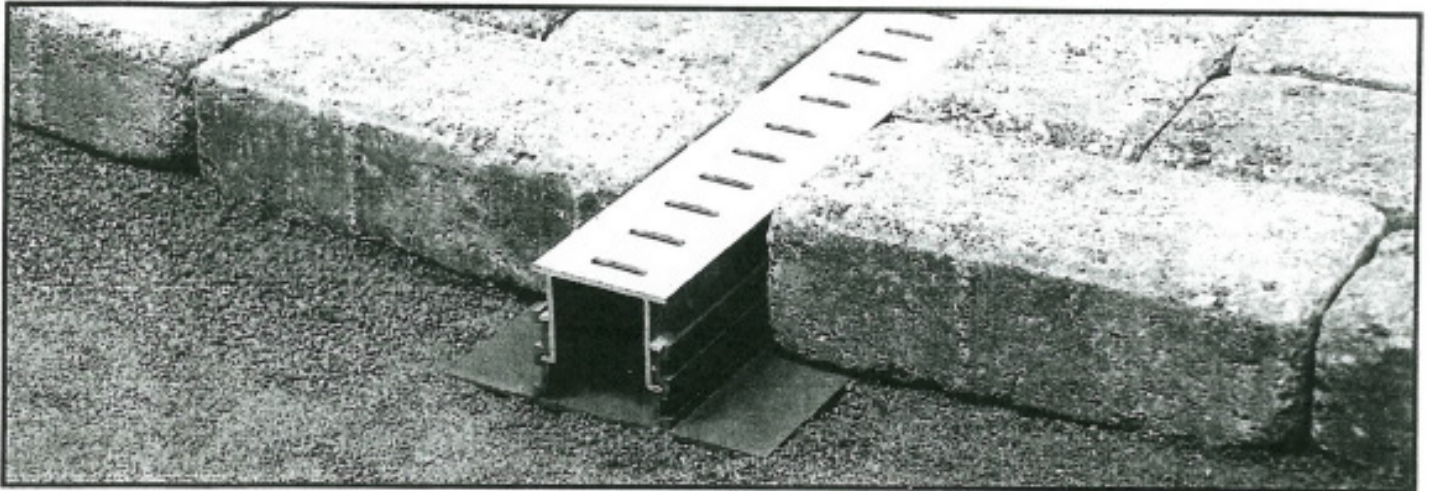
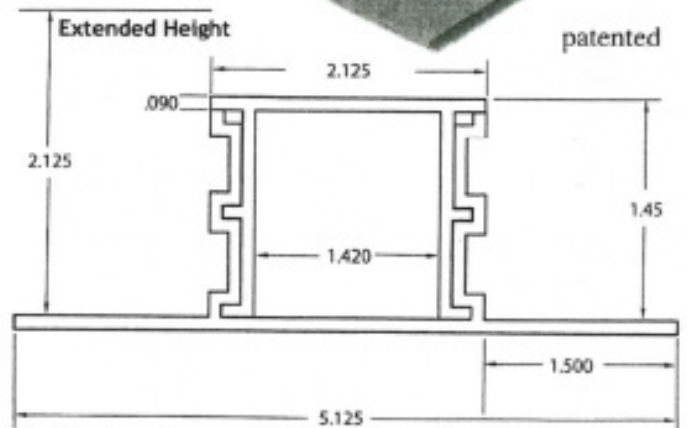


Adjustable Height Paver Drain

Installation Instructions



1. Check the carton to insure that no contents are missing. Carton includes 8 pieces of base, 8 pieces of top cap and 8 couplers.
2. Lay out all drain sections and fittings to insure you have all materials for the installation.
3. Assemble the top cap and base sections together to the desired height.
4. If the drain is to be used at its lowest setting, the couplers must be bent and broken off above the "V" notch.
5. Place the couplers into position. The use of adhesives is not recommended.
6. Set the drain to grade with a level, transit, string line or like tool.
7. In some cases, it may be helpful to set the drain in small amounts of concrete to hold the drain in place and at the correct elevation.
8. If the drain is to be poured in concrete, it is necessary to drill and pin from side to side with a coated 3/8" rebar to prevent the drain from being crushed.
9. After the pavers (or concrete) are completely set, remove the protective tape from the top of the drain.



STEGMEIER
LLC

Since 1968

1111 W. Harris Rd., Arlington, TX 76001
Toll Free Technical Support Line (800) 382-5430
or contact us at: www.stegmeier.com

As conditions and methods of use of our products are beyond our control, we offer these products in good faith but without guarantee either expressed or implied.

Adjustable Height Paver Drain Instruction Addendum

Paver bricks are known to exhibit considerable expansion / contraction ratios when exposed to direct sunlight or extreme thermal swings. Planning for expansion / contraction movement may be a consideration when executing each paver deck installation.

On installations where considerable thermal movement is expected we recommend attaching ½" x 3", or ½" x 1 ½" dimensional Poli-Void expanded polyethylene foam expansion joint material to both vertical sides of the drain body. A self leveling elastomeric joint sealant can be applied after the upper void section has been removed. Sand can be dusted onto the tacky joint sealant surface for a desired aesthetic.