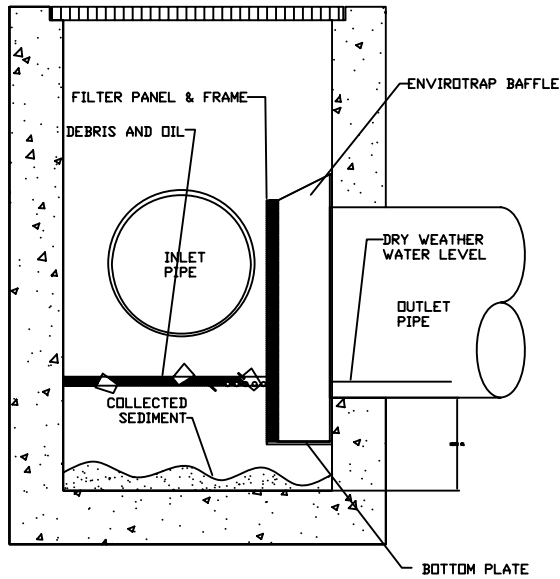


# STANDARD INSTALLATION

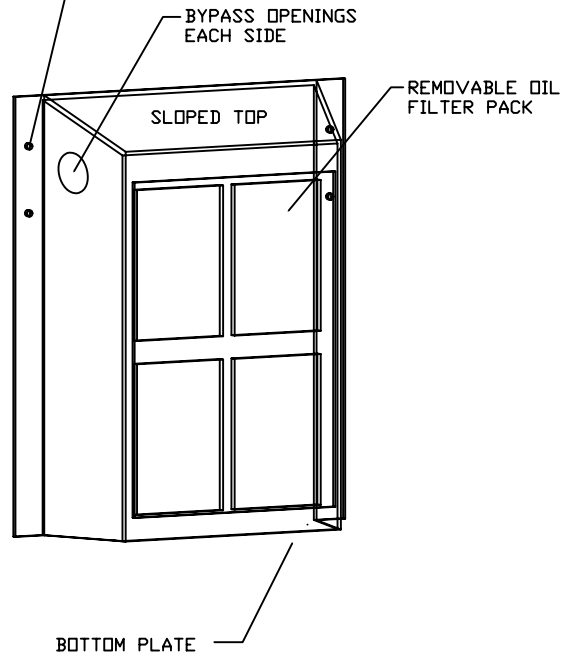
OPTIONAL OIL ABSORBENT SOCK AVAILABLE UPON REQUEST.



**NOTES:**  
 1. SUMP DEPTH DEPENDENT ON DESIRED STORAGE CAPACITY. MINIMUM OF 12" FROM INVERT OF PIPE, RECOMMENDED 24" DEEP.

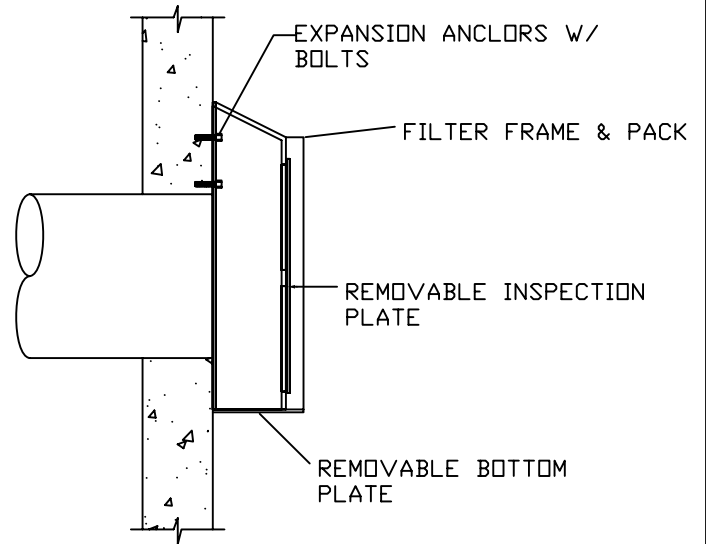
# CONFIGURATION DETAIL

4 HOLES PREDRILLED FOR ANCHORING TO STRUCTURE



# INSTALLATION DETAIL

SHOWN WITHOUT FLOW DIFFUSER



POSITION UNIT SO THE BOTTOM OF THE HOOD IS A MINIMUM OF 6" BELOW INVERT OF PIPE.

**GENERAL NOTES:**

1. ALL MATERIALS MADE OF HEAVY DUTY POLYETHALINE PLASTIC.
2. LIGHT WEIGHT DESIGN FOR EASE OF HANDLING
3. THE SURFACE OF THE STRUCTURE WHERE THE UNIT WILL BE MOUNTED IS TO BE SMOOTH AND FREE OF LOOSE MATERIAL.
4. THE BOTTOM OF THE UNIT SHOULD EXTEND A MINIMUM OF 6" BELOW THE INVERT OF THE OUTLET PIPE
5. THE HOOD SHOULD BE SECURELY ATTACHED TO THE STRUCTURE W/ PROVIDED HARDWARE PER INSTALLATION INSTRUCTIONS.
6. REFER TO INSTALLATION INSTRUCTIONS FOR SPECIFIC INSTALLATION DETAILS.
7. ENVIROTRAP TO INCLUDE FILTER FRAME & PACK WITH 10PPM HYDROCARBON REMOVAL EFFICIENCY. ALSO REQUIRED TO BE SUPPLIED WITH AN OIL ABSORBENT MATERIAL.
8. ALL ENVIROTRAP UNITS ARE TO BE SUPPLIED BY ENVIRONMENT 21, LLC OR AN APPROVED REPRESENTATIVE.
9. ALSO AVAILABLE FOR ATTACHMENT IS A FLOW RESTRICTOR AND FILTER MEDIA ATTACHMENT.
9. ENVIROTRAP HAS A PATENT PENDING.
10. GROSS POLLUTANT TRAP- CAPTURES HYDROCARBONS, COARSE SEDIMENT, AND FLOATABLES



ENVIRONMENT 21, LLC  
 STORMWATER TREATMENT SYSTEMS

"ENVIROTRAP"  
 WITH OIL FILTER PANEL AND FRAME

1-800-809-2801		SIZE	FSCM NO.	DWG NO.	ENVTRAP-OIL	REV
www.ENV21.com		SCALE		SHEET		