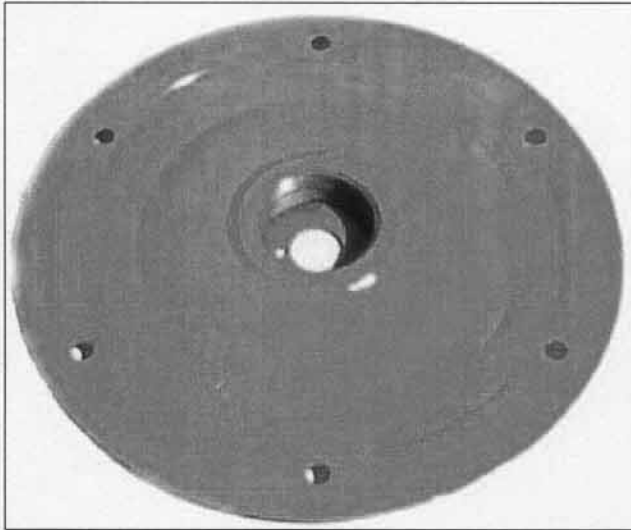


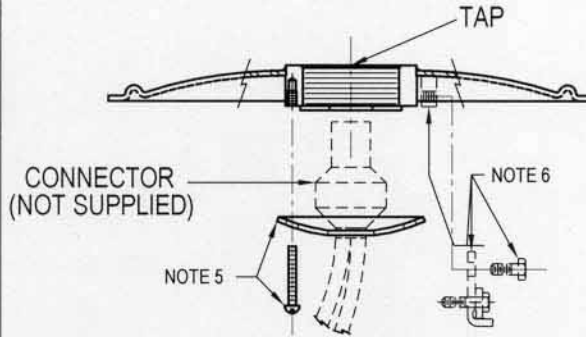


BASE PLATE

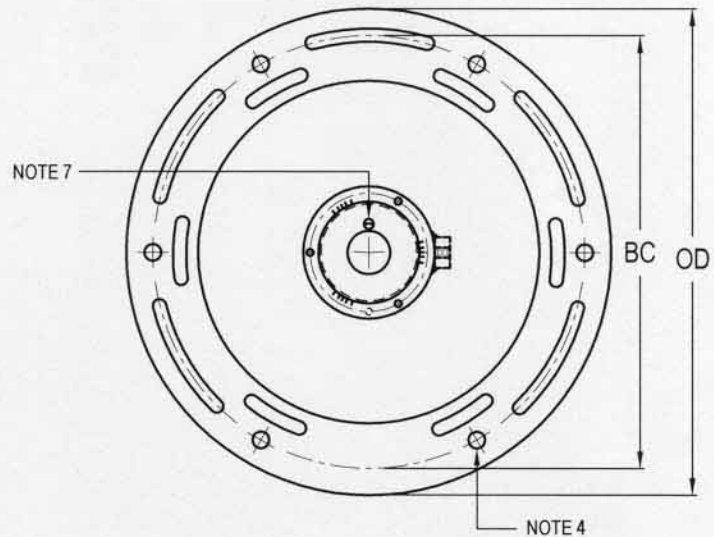
For L 867 Light Bases



AP1932



1. Approved and Certified to FAA Advisory Circular AC 150/5345-46
 Size: B=12", D=16"
2. Material: Corten A588 steel
3. Finish: Aviation yellow powder coat
4. (6) 7/16" Ø equally spaced, thru holes
5. Base plate shipped with:
 Neoprene gasket:
 AP1932/1935 12" (10530287)
 AP2932/2935 16" (10530281)
 Foam gasket:
 AP1932AK/AP1935AK 12" (10532042)
 Hardware packup #6120 which contains:
 (1) 3 hole cable clamp (8089)
 (3) #10-24 x 1 1/2" SS machine screws (10670781)
6. (OPTIONAL) Ground clamp hardware (AW0919)
 bulk packed for field installation
7. (1) 1/4" Ø Weep Hole Standard
 Add "AK" suffix to P/N for baseplate w/o weep hole (Alaskan Application)
8. Other thread types available



TYPE	OD	BC	TAP
AP1932	12"	10.25"	2" NPS
12" L867B	[304.8]	[260.4]	[50.8]
AP1935	12"	10.25"	1 1/2"-12 NF
12" L867B	[304.8]	[260.4]	[38.1]
AP2932	16"	14.25"	2" NPS
16" L867D	[406.4]	[362]	[50.8]
AP2935	16"	14.25"	1 1/2"-12 NF
16" L867D	[406.4]	[362]	[38.1]

[] = dimensions in metrics; mm.