



LED CORN COB LAMPS



IP40



IP64

Features

- ✓ IP64 protection system, dustproof
- ✓ Inductive/electronic ballast compatible
- ✓ DLC/UL/CE listed, FCC compliant
- ✓ Special Al-heat fins cooling system
- ✓ No flashing, temperature protection

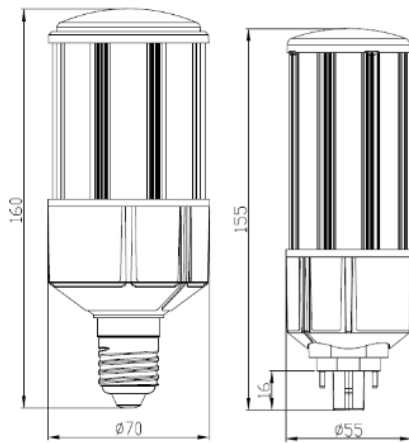
Benefits

- ✓ Directly replace existing CFL/HID lights
- ✓ Big energy savings, up to 50% reduction
- ✓ Fit to sockets: G24, E26, E27, E39, E40
- ✓ 50,000 hour DLC's rated life
- ✓ 5 year manufacturer warranty
- ✓ Energy Efficiency Rebate eligible

Specifications

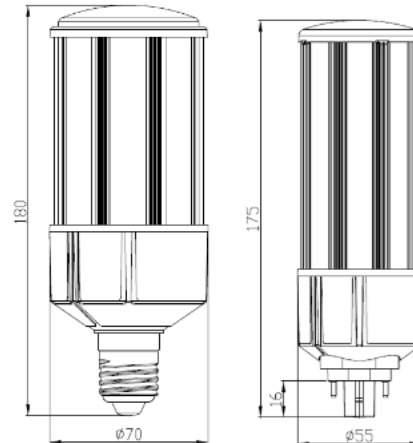
Item Number	Voltage	Power	Lumens
SNC-CL-xxxWA2 SNC-CLW-xxxWA1	100 – 277 VAC	15/150W	1,650/16,5 00 LM
Product Lifetime	Color Temperature	Power Factor	Luminous Efficacy
50,000 Hours	4,000 - 6,000K	>0.95	115 LMs/W
Operating Temp.	DLC Listed Brand	UL Certif. Number	More Product Options
-20°C to 45°C	SNC	E465717	Available upon request

LED Corn Cob Lights Installation Datasheet

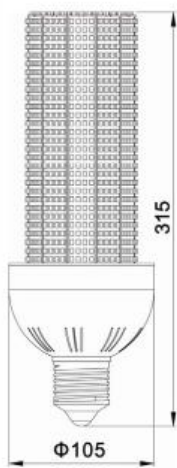


SNC-CLW-15W

IP64

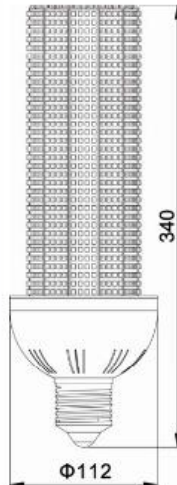


SNC-CLW-20W



SNC-CL-100W

IP40



SNC-CL-120W

Specification Data

Products	Characteristics
SNC-CLW-15W	IP64 products, Socket G24, E26/E27 Replacement 35W CFL, 1,650 LM's
SNC-CLW-20W	IP64 products, Socket G24, E26/E27 Replacement 45W CFL, 2,200 LM's
SNC-CLW-100W	IP64 products, Socket E39/E40 Replacement 400W HID, 12,000 LM's
SNC-CLW-120W	IP64 products, Socket E39/E40 Replacement 400W HID, 13,500 LM's
SNC-CL-100W	IP40 products, Socket E39/E40, Indoor replacement 400W HID, 12,000 LM's
SNC-CL-120W	IP40 products, Socket E39/E40, Indoor replacement 400W HID, 13,500 LM's

Notice:

- Remove or bypass the electronic ballast in the fixtures before installing the lamps.
- Small power lights (15 to 50W) are suitable to install into enclosed fixtures. For large power lights (100 to 120W), install only in open fixtures for proper heat dissipation.
- Don't disassemble the lamp products.