

# *Yacht Cove Property Owners Association, Inc.*

PO Box 4773

Hilton Head Island, SC 29938

<http://yachtcovehhi.com>

## Yacht Cove Mailbox Responsibility & ARB Specifications

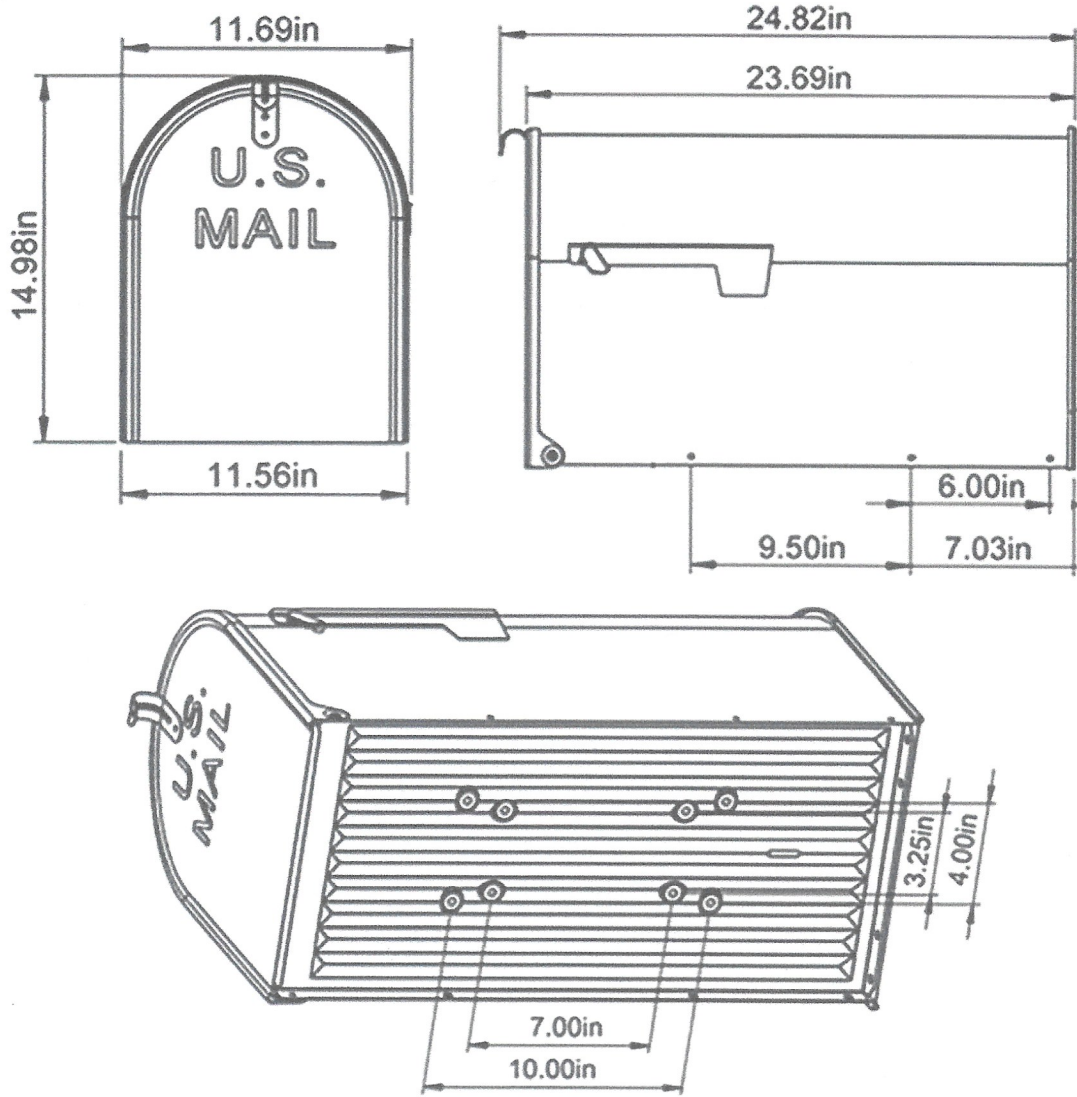
Mailboxes for single family homes on Yacht Cove Drive, Cobblestone Court, Mulberry Court and Bellhaven Way are the responsibility of individual property owners. Going forward from 5/12/22, replacement mailboxes for single family homes should be black and conform to the specifications on the attached diagram. These mailboxes are currently available at Ace Hardware.

The mailboxes for townhome owners on Jib Sail Court are also the responsibility of the individual property owners; however, as they are clustered together, Jib Sail Court property owners should coordinate to maintain the current consistent look of standard size, green mailboxes.

The Wyndemere mailbox station is the responsibility of Wyndemere HPR.

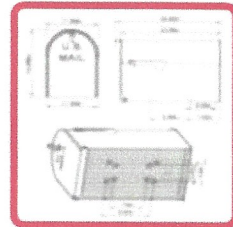
(See page 2 for single family home mailbox diagram)

May 12, 2022



Pinch image to zoom

Product images



MA  
WT  
DI