

Phone: +1-980-222-4432
 info@kowiautomotive.com
 www.kowiautomotive.com

Company:
 Contact:
 Phone:
 email:
 Date: Quantity:

Engine: # of cylinders: Stroke: Bore: Max RPM:

Bore material: Aluminum Iron Steel Nikasil

Displacement: OEM Compression ratio: Compression ratio wanted:

Rod length: Rod Small-end width: Piston guided: YES NO

Alcohol Nitro Turbo/ Blown Pressure: Expected HP:

Pin diameter: Center Offset

Gasket thickness: Gasket bore: Compression height:

Carburator Injection Deck clear: Block height:

Combustion chamber volume: Application (Drag, circuit, rally, etc.):

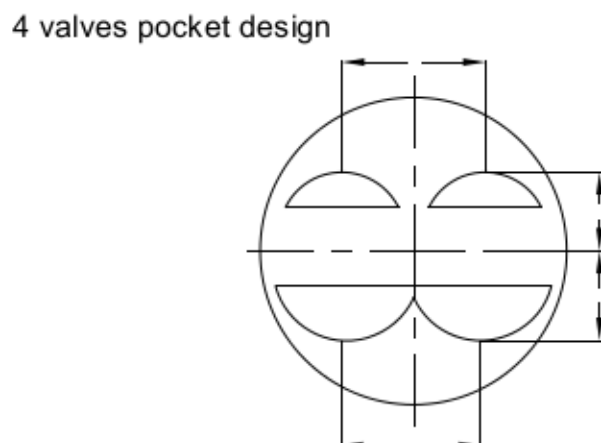
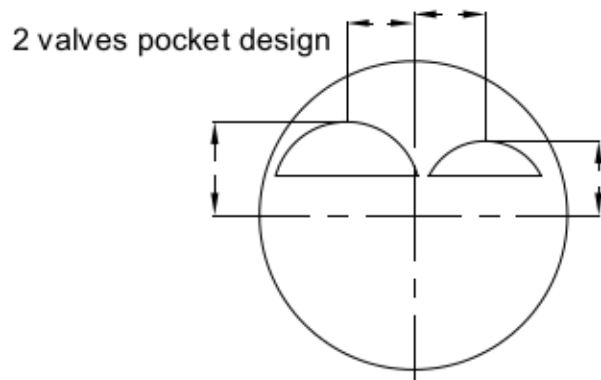
Int. valve diameter: Quantity: Angle: Pocket depth:

Exh. valve diameter: Quantity: Angle: Pocket depth:

Piston head type: Flat Dish Dome Spherical Other

Rings code:

RINGS	AXIAL	RADIAL
1st		
2nd		
Oil		



NOTE: