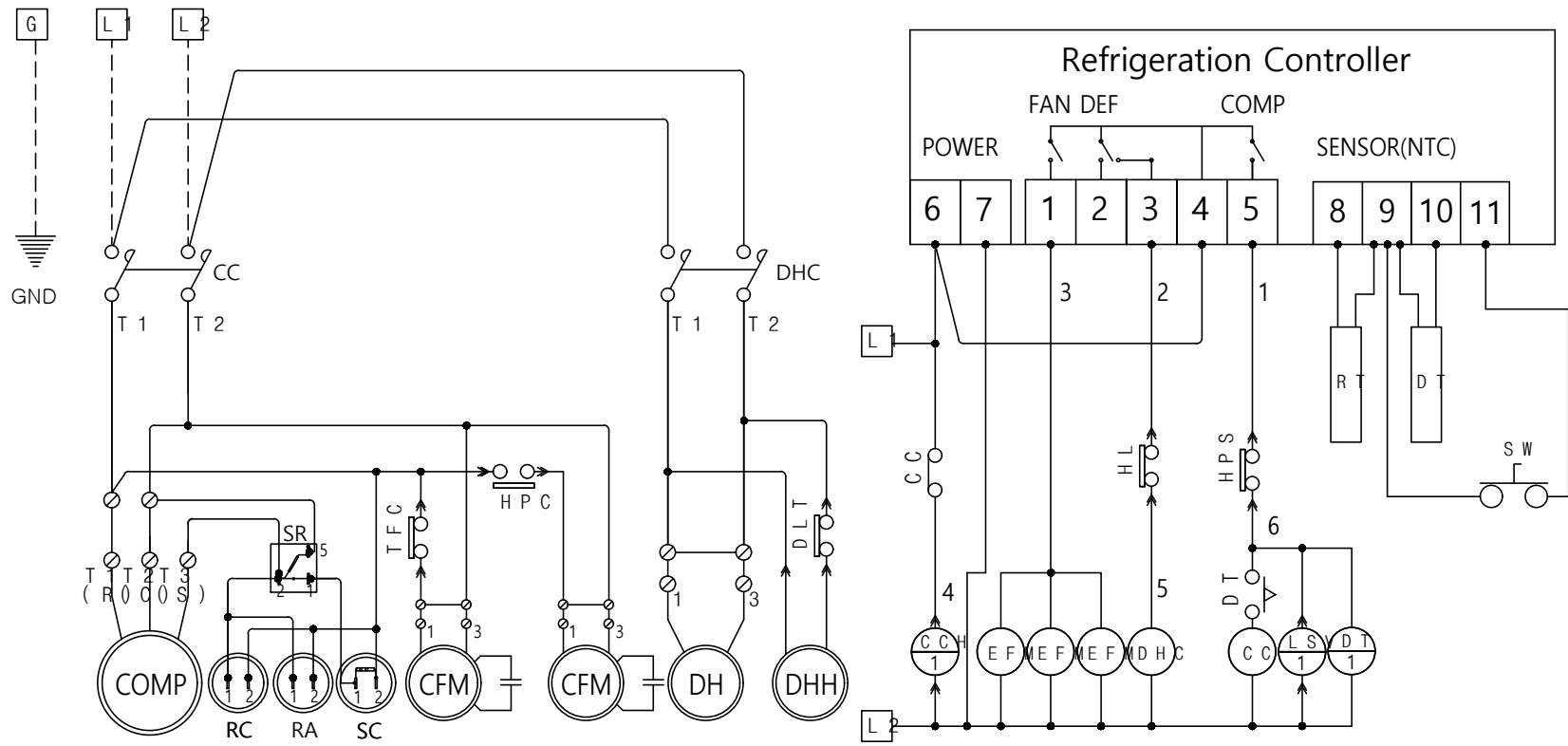


Electrical Wiring Diagram

Model : IQT100LRB

Factory Wiring ————— Field Wiring - - - - -

1ph 220V 60Hz



LEGEND

CC (C1)	COMPRESSOR CONTACTOR	DHC (C2)	DEFROST HEATER CONTACTOR	DT	DELAY TIMER
CFM	CONDENSER FAN MOTOR	DH	DEFROST HEATER	SR	START RELAY
EFM	EVAPORATOR FAN MOTOR	DHH	DRAIN HOSE HEATER	RC,RA	RUN CAPACITOR
HPS	HIGH PRESSURE SWITCH	HL	HEATER LIMIT THERMISTOR	SC	START CAPACITOR
HPC	HIGH PRESSURE CONTACTOR	CCH	CRANKCASE HEATER	SW	ON/OFF SWITCH
LSV	LIQUID SOLENOID VALVE	RTS	ROOM THERMOSTAT SENSOR	DTS	DEFROST TEMPERATURE SENSOR
TFC	TEMPERATURE FAN CYCLE SWITCH	DLT	DRAIN LINE THERMOSTAT	GND	GROUND