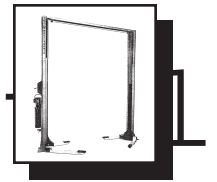




Lift

i

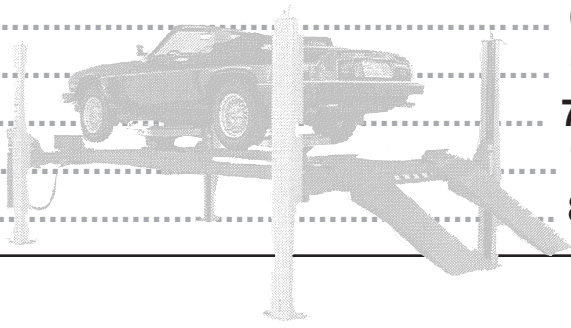
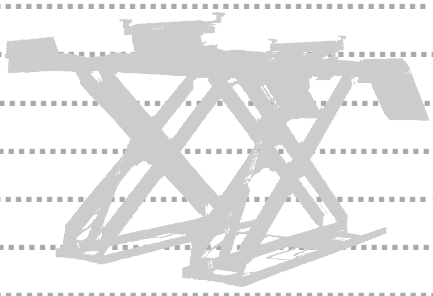
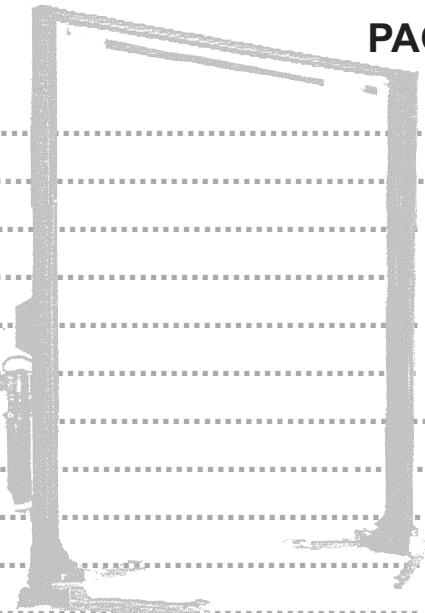


L t t i l - Lift i t l t

# For Wheeltronics Ltd. Lifts

## Contents

MODEL	PAGE
Vector Model 7144 .....	2
Vector Model 8144V .....	5
Vector Model 11144 .....	8
Vector Model 11144VS .....	11
Vector Model 11168 .....	14
Vector Model 11168VS .....	17
Snap-On Model EELR-302A, 8020, 8021, 9021 .....	20
J.H. Heafner Magnum 81776S .....	23
Patriot Model 1776A .....	26
Patriot Model 1776S .....	29
Cobra Model 35196FM .....	32
Kodiak-Quad Rack Model 18405AF .....	33
John Bean/Quatro 4-Post, Model 44110Q .....	37
Quad Rack 10,000 Series .....	40
Quad Rack 12,000 Series .....	43
Quad Rack Model 12407 .....	46
Quad Rack, Oracle Model 14407 .....	49
Space Saver 145, Sliding Jack Beam .....	52
Space Saver Air Hydraulic, Sliding Jack Beam, 4,500 Lb. ....	55
Space Saver Air Hydraulic, Sliding Jack Beam, 6,000 Lb. ....	59
Space Saver, 9,000 Series .....	63
Space Saver, 12,000 Series .....	68
EELR113A & EELR114A .....	73
Bay Saver II, Models 48109 & 48209 .....	77
Alignment Runways, Model 40306 R .....	82



t i t t t i t t i l

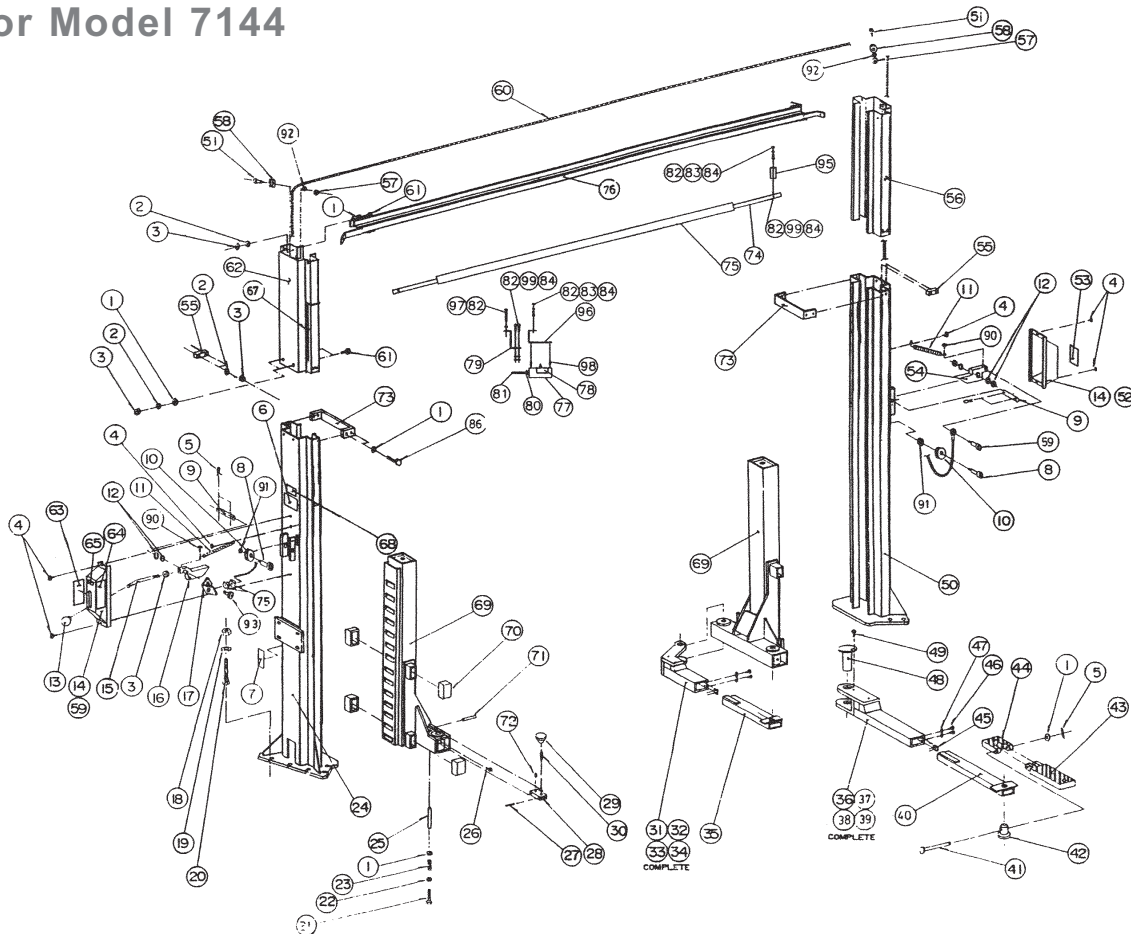
To Order Call: 800-321-8173 or 630-844-5566 / Fax: 800-899-1784 or 630-844-6770

All names, numbers, symbols and descriptions are used for reference purposes only. It is not implied that any part listed is the product of these manufactures, however, some parts may be the actual product of these manufacturers.



lift repair parts for Wheeltronic Ltd. lifts

Vector Model 7144



Item No.	SVI Part Number	Ref. OEM	Qty. Req.	Description
1	BH-7798-25	6-0248	24	1/2" Flatwasher
2	call	6-0059	16	1/2" Lockwasher
3	call	6-0035	17	1/2"-13 Hex Nut
4	call	6-1134	6	Self Tap. Screw, #12 x 1/2"
5	BH-7798-53	6-0267	8	Cotter Pin, 1/8" x 1"
6	BH-7805-102	6-0996	1	ALI/ETL Decal
7	BH-7805-103	6-1583	1	"Hydraulic Leveling" Decal
8	BH-7791-09	6-0206	2	Shoulder Bolt, 3/8" x 1"
9	BH-7792-53	1-0938	2	Safety Pin
10	BH-7791-78	1-0415	2	Safety Pulley
11	BH-7792-84	1-1115	2	Safety Spring
12	call	6-0808	8	51/64" Flatwasher
13	BH-7798-26	6-1135	1	Plastic Knob
14	BH-7796-99	3-0439	2	Safety Cover
15	BH-7792-83	1-1113	1	Safety Release Handle
16	BH-7794-88	2-0902	1	Safety Dog, LH.
17	BH-7792-95	1-1291	1	Cable Connecting Bracket
18	call	6-0737	14	Hex Nut, 3/4"-10
19	call	6-0738	14	Flatwasher, 3/4"
20	BH-7798-77	6-1379	14	3/4" x 5-1/2" Anchor

Item No.	SVI Part Number	Ref. OEM	Qty. Req.	Description
21	call	6-0027	4	Hex Bolt, 1/4"-20 x 1-1/4"
22	call	6-0626	4	1/4" Fender Washer
23	BH-7792-54	1-0939	4	Plunger Spring
24	BH-7798-27	4-0316	1	Tower, LH.
25	BH-7792-12	1-0745	4	Pivot Plunger
26	BH-7800-51	6-0000	4	Grease Fitting
27	BH-7798-79	6-0437	4	Roll Pin, 1/8" x 1"
28	BH-7793-87	2-0249	4	Rack
29	BH-7791-50	1-0208	4	Knob
30	BH-7792-90	1-1135	4	Trd. Rod, 3/8"-16 x 1-1/2"
31	BH-7797-28	3-0561	1	Outer Arm Tube, RH.
32	BH-7797-29	3-0562	1	Outer Arm Tube, LH.
33	BH-7798-28	4-0464	1	Locking Arm Assy., RH.
34	BH-7798-29	4-0463	1	Locking Arm Assy., LH.
35	BH-7795-24	2-1088	2	Short Inner Arm
36	BH-7797-27	3-0560	1	Outer Arm Tube, RH.
37	BH-7797-26	3-0559	1	Outer Arm Tube, LH.
38	BH-7798-30	4-0462	1	Locking Arm Assy., RH.
39	BH-7798-31	4-0461	1	Locking Arm Assy., LH.
40	BH-7795-23	2-1086	2	Inner Arm

To Order Call: 800-321-8173 or 630-844-5566 / Fax: 800-899-1784 or 630-844-6770

All names, numbers, symbols and descriptions are used for reference purposes only. It is not implied that any part listed is the product of these manufactures, however, some parts may be the actual product of these manufacturers.



## lift repair parts for Wheeltronic Ltd. lifts

### Vector Model 7144 – cont.

Item No.	SVI Part Number	Ref. OEM	Qty. Req.	Description	Item No.	SVI Part Number	Ref. OEM	Qty. Req.	Description
41	BH-7792-82	1-1099	4	Center Pin	70	BH-7790-19	2-0772	8	Glide Bearing
42	BH-7792-77	1-1091	4	Adapter Pin	71	BH-7798-35	4-0424	1	Carriage, L.S.
43	BH-7797-37	3-0582	4	High Step Position Adpt.	72	call	6-0438	4	Set Screw, 1/4"-20 x 1/2"
44	BH-7797-38	3-0583	4	Low Position Adpt.	73	BH-7794-83	2-0883	2	Tower Brace
45	BH-7791-60	1-0263	4	Arm Stop	74	BH-7793-01	1-1380	1	Actuator Bar
46	call	6-0339	8	Hex Bolt, 1/4"-28 x 5/8"	75	BH-7798-36	6-1404	1	Foam Guard
47	call	6-0056	8	Lockwasher, 1/4"	76	BH-7797-01	3-0440	1	Crossmember
48	BH-7794-06	2-0439	4	Arm Pin	77	BH-7798-37	6-1403	1	Electrical Utility Box
49	call	6-0423	4	Hex Bolt, 5/16"-18 x 3/4"	78	BH-7798-38	6-0916	1	Microswitch
50	BH-7798-32	4-0317	1	Tower, Rt. Side	79	BH-7792-99	1-1379	1	Actuator Extension
51	call	6-0069	2	Shoulder Bolt, 3/8" x 5/8"	80	BH-7798-39	6-1133	1	Cable Connector
52	BH-7790-78	0-0203	1	Safety Cover w/Decals, RH.	81	BH-7798-40	6-1173	1	Eq. Cable, 16/3 x 117"
53	BH-7805-100	6-0594	1	"Safety Instructions" Decal	82	BH-7798-13	6-0032	7	Hex Hd. Nut, 1/4"
54	BH-7794-79	2-0872	1	Safety Dog, Rt. Side	83	call	6-0178	3	Hex Hd. Bolt, 1/4" x 3/4"
55	BH-7792-86	1-1119	4	Carriage Stop	84	call	6-0056	6	Lockwasher, 1/4"
56	BH-7797-02	3-0449	1	Extension, RH.	86	call	6-0767	8	Hex Bolt, 1/2"-13 x 2-1/2"
57	call	6-0294	2	Hex Nut, 5/16"-18	87	BH-7790-79	0-0204	1	Safety Cover w/Decals, LH.
58	BH-7792-85	1-1116	2	Safety Cable Pulley	90	call	6-0169	2	Self-Tap. Screw, #10 x 3/8"
59	call	6-0908	1	Shoulder Bolt, 3/8" x 1-1/4"	91	BH-7798-12	6-0295	2	Flatwasher, 5/16"
60	BH-7790-44	1-1305	1	Safety Rel. Cable, 285 1/2"	92	call	6-0296	2	Lockwasher, 5/16"
61	call	6-0291	8	Hex Bolt, 1/2"-13 x 1-1/2"	93	call	6-0185	1	Shoulder Bolt, 5/16" x 1/4"
62	BH-7797-03	3-0450	1	Extension, LH.	94	BH-7791-70	1-0333	4	Pivot Pin
63	BH-7805-96	6-0595	1	"Warning" Decal	95	BH-7792-98	1-1378	1	Actuator Mtg. Bracket
64	BH-7805-97	6-0592	1	"Caution" Decal	96	BH-7795-32	2-1143	1	Limit Switch Mtg. Bracket
65	BH-7805-98	6-0603	1	"Safety Release" Decal	97	call	6-0177	1	Hex Hd. Bolt, 1/4" NC x 2"
67	BH-7798-74	6-1230	3	Eq. Cable Clip, 3/8"	98	call	6-1466	2	6/32" Screw (Electric Box)
68	BH-7798-33	6-1118	1	Serial # Tag					

### Vector Model 7144 Power Pack

1	BH-7802-93	6-0881	1	Microswitch	
2	BH-7803-68	6-1084	1	Microswitch Boot	
3	BH-7802-53	6-0773	1	Motor 230 Vac. 1 PH. 60 Hz	
4	call	0-0197	1	Motor Adapter Kit	
5	call	6-1085	4	Skt. HD. Cap Scw. 1/4"-20 x 5/8"	
6	call	6-0056	4	Lockwasher, 1/4"	
7	call	6-1086	4	Allen Flat Scw. 1/4"-20 x 3/4"	
8	BH-7802-54	6-0774	1	Coupling	
9	BH-7802-56	6-0776	1	Rel. Bracket & Handle Assy.	
10	BH-7802-92	6-0880	1	Valve Cartridge Release	
11	BH-7803-69	6-1087	1	Valve Cartridge Check	
12	BH-7804-04	6-1317	1	Fixed Relief Valve, RV 17	
13	BH-7803-71	6-1089	1	Relief Valve Cap	
14	BH-7802-87	6-0875	1	Reservoir "O" Ring	
18	BH-7802-64	6-0786	1	Inlet Hose/Filter Assy.	
19	BH-7790-77	0-0199	1	Pump "O" Ring Kit	
20	BH-7802-61	6-0783	1	Return Tube	
21	BH-7804-13	6-1376	1	Breather-Filler Cap (Plastic)	
22	BH-7804-16	6-1399	1	Reservoir (Plastic)	
23	BH-7803-73	6-1091	4	Reservoir Screw	
24	BH-7803-76	6-1133	1	Cable Connector, 90°, 3/8"	

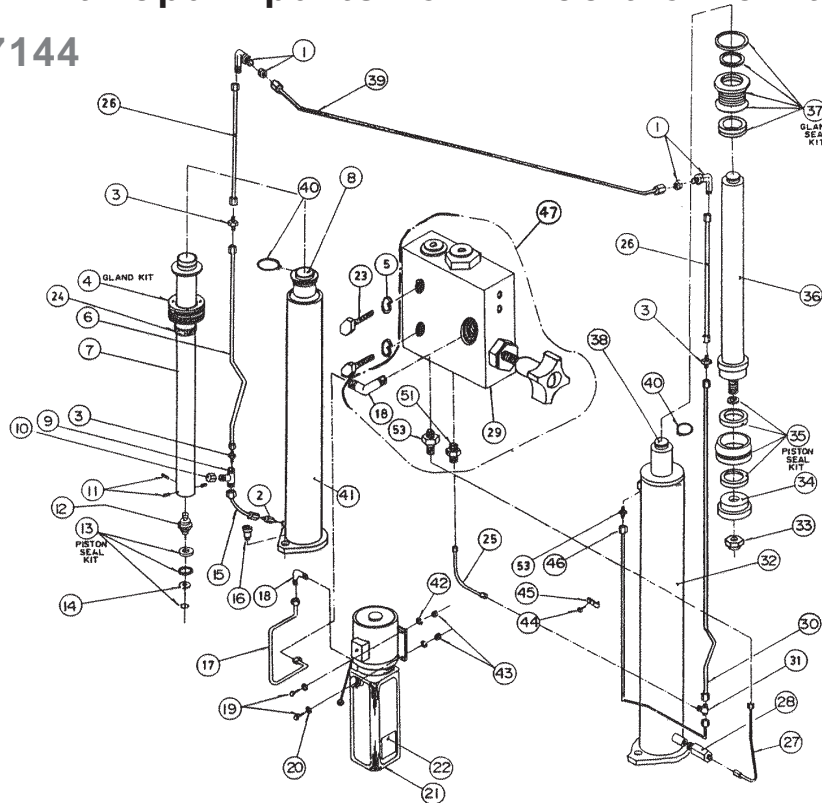
**To Order Call: 800-321-8173 or 630-844-5566 / Fax: 800-899-1784 or 630-844-6770**

All names, numbers, symbols and descriptions are used for reference purposes only. It is not implied that any part listed is the product of these manufactures, however, some parts may be the actual product of these manufacturers.



lift repair parts for Wheeltronic Ltd. lifts

Vector Model 7144  
Hydraulics



Item No.	SVI Part Number	Ref. OEM	Qty. Req.	Description
1	BH-7798-41	6-0012	2	Blkhd. 90° 3/8" JIC-3/8" JIC
2	BH-7798-42	6-0345	1	Adpt., 3/8" NPT-3/8" JIC x 2-1/4"
3	BH-7798-43	6-0286	3	Union, 3/8" JIC Male
4	BH-7790-65	0-0162	1	Gland Seal Kit, RH.
5	call	6-0056	2	Lockwasher, 1/4"
6	BH-7794-54	2-0716	1	Hydraulic Tube Assy.
7	BH-7794-65	2-0801	1	Piston Tube, RH.
8	BH-7796-96	3-0430	1	Hydraulic Cyl. Assy, RH.
9	BH-7798-75	6-0284	1	Tee. 3/8" Swivel Nut JIC Male
10	BH-7798-59	6-0021	1	Cap. 3/8" JIC
11	call	6-0580	3	HD. Setscrew, 1/4"x 3/8"
12	BH-7794-34	2-0619	1	Piston
13	BH-7798-02	0-0159	1	Piston Seal Kit, RH.
14	BH-7792-07	1-0725	1	Keeper Washer
15	BH-7791-24	1-0102	1	Hydraulic Tube Assy.
16	call	6-0425	2	Shoulder Bolt, 1/2" x 5/8"
17	BH-7795-31	2-1140	1	Hydraulic Tube Assy.
18	BH-7798-45	6-0804	2	Elb. 90° 9/16" SAEM-3/8" JIC M
19	call	6-0293	4	Hex Bolt, 5/16"-18 x 1"
20	call	6-0061	8	Flatwasher, 5/16"
21	BH-7798-46	6-1146	1	Power Pack
22	BH-7805-101	6-1265	1	"Lift Operations" Decal
23	call	6-0028	2	Hex HD. Bolt 1/4" 20 x 1-3/4"
24		BH-7792-091-0734	1	Felt Strip

Item No.	SVI Part Number	Ref. OEM	Qty. Req.	Description
26	BH-7794-81	2-0878	2	Hydraulic Tube Assy.
27	BH-7790-42	2-0886	1	Hydraulic Tube Assy.
28	BH-7790-43	6-0422	1	Velocity Fuse, 4 GPM
29	BH-7798-47	6-1362	1	Hydraulic Valve Block
30	BH-7794-87	2-0888	1	Hydraulic Tube Assy.
31	BH-7798-48	6-1372	1	Branch "T" JIC All Ends
32	BH-7796-95	3-0428	1	Cylinder Barrel, LH.
33	call	6-0631	1	Uni-Torque Locknut, 7/8"-9
34	BH-7794-10	2-0521	1	Piston Spigot
35	BH-7790-09	0-0160	1	Piston Seal Kit, LH.
36	BH-7794-64	2-0793	1	Piston Rod, LH.
37	BH-7790-80	0-0206	1	Gland Seal Kit, LH.
38	BH-7790-36	4-0289	1	Hydraulic Cyl. Assy, LH.
39	BH-7794-82	2-0879	1	Hydraulic Tube Assy.
40	BH-7798-49	6-0340	2	Circlip
41	BH-7794-66	2-0802	1	Cylinder Barrel, RH.
42	call	6-0674	4	Lockwasher, 5/16"
43	call	6-0294	4	Hex Nut, 5/16"-18
44	call	6-1353	7	Rnd. Hd. Bolt, 1/4"-20 x 3/8"
45	BH-7798-50	6-0170	7	Tube Clamp
46	BH-7794-86	2-0887	1	Hydraulic Tube Assy.
47	BH-7790-99	6-1389	1	Hydraulic Valve Block Assy. (C/W Fittings)
51	BH-7798-51	6-0281	1	Adpt., 1/4" NPT. M-1/4" JIC M
53	BH-7798-52	6-0276	2	Adpt., 1/4" NPT. M-3/8" JIC M

To Order Call: 800-321-8173 or 630-844-5566 / Fax: 800-899-1784 or 630-844-6770

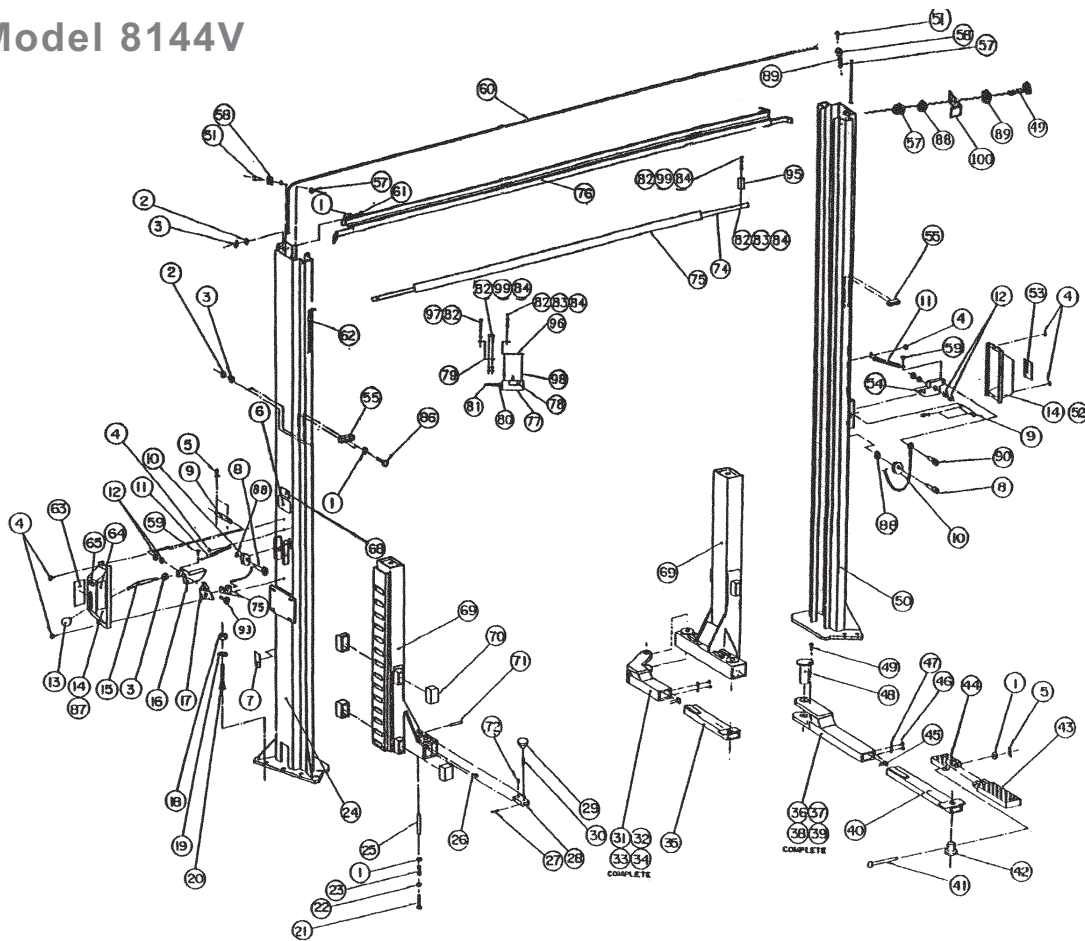
All names, numbers, symbols and descriptions are used for reference purposes only. It is not implied that any part listed is the product of these manufactures, however, some parts may be the actual product of these manufacturers.





lift repair parts for Wheeltronic Ltd. lifts

Vector Model 8144V



Item No.	SVI Part Number	Ref. OEM	Qty. Req.	Description
1	BH-7798-25	6-0248	20	Flatwasher, 1/2"
2	call	6-0059	12	Lockwasher, 1/2"
3	call	6-0035	13	Hex Nut, 1/2"-13
4	call	6-1134	6	Self Tap. Screw, #12 x 1/2"
5	BH-7798-53	6-0267	8	Cotter Pin, 1/8" x 1"
6	BH-7805-102	6-0996	1	ALI/ETL Decal
7	BH-7805-103	6-1583	1	"Hydraulic Leveling" Decal
8	BH-7791-09	6-0206	2	Shld. Bolt, 3/8" x 1"
9	BH-7792-53	1-0938	2	Safety Pin
10	BH-7791-78	1-0415	2	Safety Pulley
11	BH-7792-84	1-1115	2	Safety Spring
12	call	6-0808	8	5/16" Flatwasher
13	BH-7798-26	6-1135	1	Plastic Knob
14	BH-7796-99	3-0439	2	Safety Cover
15	BH-7792-83	1-1113	1	Safety Release Handle
16	BH-7794-88	2-0902	1	Safety Dog, LH.
17	BH-7792-95	1-1291	1	Cable Connecting Bracket
18	call	6-0737	14	Hex Nut, 3/4"-10
19	call	6-0738	14	Flatwasher, 3/4"
20	BH-7798-77	6-1379	14	Wedge Anchor, 3/4" x 5-1/2"

Item No.	SVI Part Number	Ref. OEM	Qty. Req.	Description
21	call	6-0027	4	Hex Bolt, 1/4" x 1-1/4"
22	call	6-0626	4	1/4" Fender Washer
23	BH-7792-54	1-0939	4	Plunger Spring
24	BH-7798-54	4-0381	1	Tower, LH.
25	BH-7792-12	1-0745	4	Pivot Plunger
26	BH-7800-51	6-0000	4	Grease Fitting
27	BH-7798-79	6-0437	4	Roll Pin, 1/8" x 1"
28	BH-7793-87	2-0249	4	Rack
29	BH-7791-50	1-0208	4	Knob
30	BH-7792-90	1-1135	4	Thrd. Rod, 3/8"-16 x 1-1/2"
31	BH-7797-28	3-0561	1	Outer Arm Tube, RH.
32	BH-7797-29	3-0562	1	Outer Arm Tube, LH.
33	BH-7798-28	4-0464	1	Locking Arm Assy., RH.
34	BH-7798-29	4-0463	1	Locking Arm Assy., LH.
35	BH-7795-24	2-1088	2	Short Inner Arm
36	BH-7797-27	3-0560	1	Outer Arm Tube, RH.
37	BH-7797-26	3-0559	1	Outer Arm Tube, LH.
38	BH-7798-30	4-0462	1	Locking Arm Assy., RH.
39	BH-7798-31	4-0461	1	Locking Arm Assy., LH.
40	BH-7795-23	2-1086	2	Inner Arm

To Order Call: 800-321-8173 or 630-844-5566 / Fax: 800-899-1784 or 630-844-6770

All names, numbers, symbols and descriptions are used for reference purposes only. It is not implied that any part listed is the product of these manufactures, however, some parts may be the actual product of these manufacturers.



## lift repair parts for Wheeltronic Ltd. lifts

## Vector Model 8144V — cont.

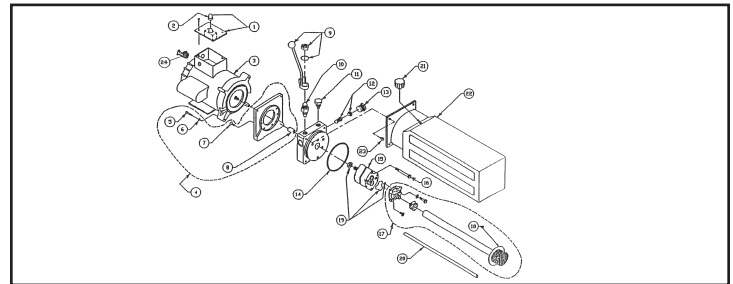
Item No.	SVI Part Number	Ref. OEM	Qty. Req.	Description
41	BH-7792-82	1-1099	4	Center Pin
42	BH-7792-77	1-1091	4	Adapter Pin
43	BH-7797-37	3-0582	4	High Step Position Adpt.
44	BH-7797-38	3-0583	4	Low Position Adpt.
45	BH-7791-60	1-0263	4	Arm Stop
46	call	6-0339	8	Hex Bolt, 1/4"-28 x 5/8"
47	call	6-0056	8	Lockwasher, 1/4"
48	BH-7794-06	2-0439	4	Arm Pin
49	call	6-0423	6	Hex Bolt, 5/16"-18 x 3/4"
50	BH-7798-55	4-0382	1	Tower, RH.
51	call	6-0069	2	Shoulder Bolt, 3/8" x 5/8"
52	BH-7790-78	0-0203	1	Safety Cover w/Decals, RH.
53	BH-7805-100	6-0594	1	"Safety Instructions" Decal
54	BH-7794-79	2-0872	1	Safety Dog, RH.
55	BH-7792-86	1-1119	4	Carriage Stop
57	call	6-0294	4	Hex Nut, 5/16"-18
58	BH-7792-85	1-1116	2	Safety Cable Pulley
59	call	6-0169	2	Self Tap. Screw, #10 x 3/8"
60	BH-7790-44	1-1305	1	Safety Rel. Cable, 285 1/2"
61	call	6-0291	4	Hex Bolt, 1/2"-13 x 1-1/2"
62	BH-7798-56	6-1759	3	Eq. Cord Clip, 5/8"
63	BH-7805-96	6-0595	1	"Warning" Decal
64	BH-7805-97	6-0592	1	"Caution" Decal
65	BH-7805-98	6-0603	1	"Safety Release" Decal
68	BH-7798-57	6-1119	1	Serial # Tag
69	BH-7798-58	4-0421	2	Carriage

Item No.	SVI Part Number	Ref. OEM	Qty. Req.	Description
70	BH-7790-19	2-0772	8	Glide Bearing
71	BH-7791-70	1-0333	4	Pivot Pin
72	call	6-0438	4	Set Screw, 1/4"-20 x 1/2"
74	BH-7793-01	1-1380	1	Actuator Bar
75	BH-7798-36	6-1404	1	Foam Guard
76	BH-7797-01	3-0440	1	Crossmember
77	BH-7798-37	6-1403	1	Electrical Utility Box
78	BH-7798-38	6-0916	1	Microswitch
79	BH-7792-99	1-1379	1	Actuator Extension
80	BH-7798-39	6-1133	1	Cable Connector
81	BH-7798-40	6-1173	1	Eq. Cable, 16/3 x 117"
82	BH-7798-13	6-0032	7	Hex Hd. Nut, 1/4" NC
83	call	6-0178	3	Hex Hd. Bolt 1/4" NC x 3/4"
84	call	6-0056	6	Lockwasher, 1/4"
86	call	6-0135	8	Hex Bolt, 1/2"-13 x 2-1/4"
87	BH-7790-79	0-0204	1	Safety Cover w/Decals, LH.
88	BH-7798-12	6-0295	4	Flatwasher, 5/16"
89	call	6-0296	4	Lockwasher, 5/16"
90	BH-7790-31	6-0801	1	Shoulder Bolt, 3/8" x 1-1/2"
93	call	6-0185	1	Shoulder Bolt, 5/16" x 1/4"
95	BH-7792-98	1-1378	1	Actuator Mtg. Bracket
96	BH-7795-32	2-1143	1	Limit Switch Mtg. Bracket
97	call	6-0177	1	Hex Hd. Bolt, 1/4" NC x 2"
98	call	6-1466	2	6/32" Screw (Electric Box)
99	call	6-0027	3	Hex Hd. Bolt, 1/4" NC x 1-1/4"
100	BH-7795-90	2-1477	1	Angle Bracket

## Vector Model 8144V

## Power Pack

1	BH-7802-93	6-0881	1	Microswitch
2	BH-7803-68	6-1084	1	Microswitch Boot
3	BH-7802-53	6-0773	1	Motor 230 Vac., 1 PH., 60 Hz
4	BH-7805-14	0-0197	1	Motor Adapter Kit
5	call	6-1085	4	Skt. HD. Cap Scw. 1/4" x 5/8"
6	call	6-0056	4	Lockwasher, 1/4"
7	call	6-1086	4	Allen Hd. Ft. Scw. 1/4" x 3/4"
8	BH-7802-54	6-0774	1	Coupling
9	BH-7802-56	6-0776	1	Rel. Bracket & Handle Assy.
10	BH-7802-92	6-0880	1	Valve Cartridge Release
11	BH-7803-69	6-1087	1	Valve Cartridge Check
12	BH-7804-04	6-1317	1	Fixed Relief Valve, RV 17
13	BH-7803-71	6-1089	1	Relief Valve Cap
14	BH-7802-87	6-0875	1	Reservoir "O" Ring
15	BH-7802-60	6-0782	1	Pump Assy.
16	BH-7803-72	6-1090	2	Pump Mounting Bolt
17	BH-7790-76	0-0198	1	Inlet Plumbing Kit



18	BH-7802-64	6-0786	1	Inlet Hose/Filter Assembly
19	BH-7790-77	0-0199	1	Pump "O" Ring Kit
20	BH-7802-61	6-0783	1	Return Tube
21	BH-7804-13	6-1376	1	Breather-Filler Cap (Plastic)
22	BH-7804-17	6-1399	1	Reservoir (Plastic)
23	BH-7803-73	6-1091	4	Reservoir Screw
24	BH-7803-76	6-1133	1	Cable Connector, 90°, 3/8"

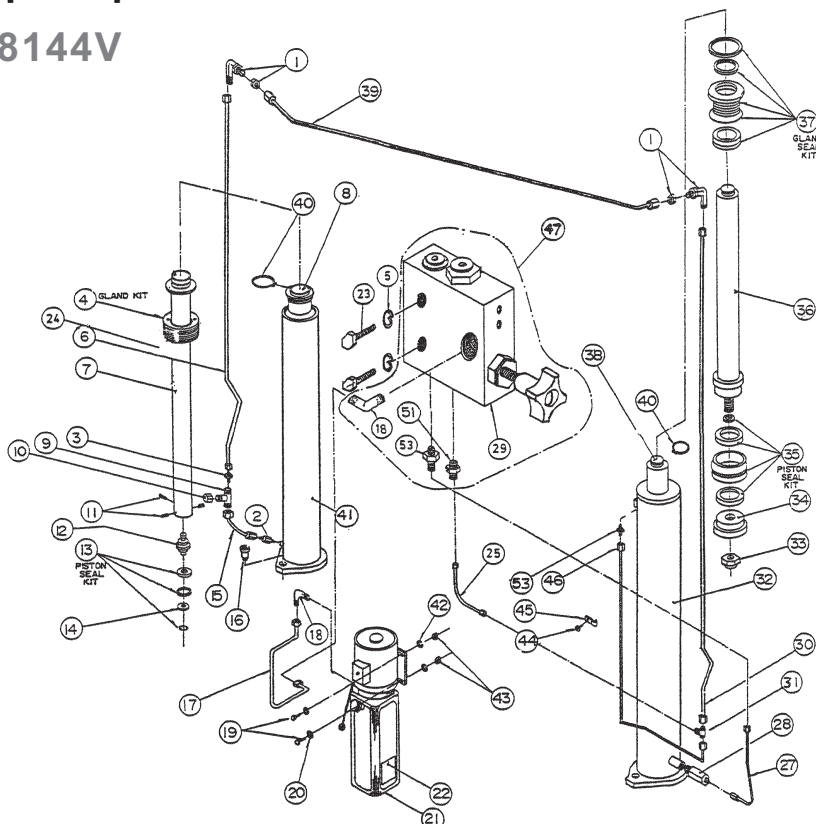
**To Order Call: 800-321-8173 or 630-844-5566 / Fax: 800-899-1784 or 630-844-6770**

All names, numbers, symbols and descriptions are used for reference purposes only. It is not implied that any part listed is the product of these manufactures, however, some parts may be the actual product of these manufacturers.



## lift repair parts for Wheeltronic Ltd. lifts

### Vector Model 8144V Hydraulics



Item No.	SVI Part Number	Ref. OEM	Qty. Req.	Description	Item No.	SVI Part Number	Ref. OEM	Qty. Req.	Description					
1	BH-7798-41	6-0012	2	90° Blkhd., 3/8" JIC-3/8" JIC	27	BH-7790-42	2-0886	1	Hydraulic Tube Assy.					
2	BH-7798-42	6-0345	1	Adpt, 3/8" NPT-3/8" JIC x 2-1/4"	28	BH-7790-43	6-0422	1	Velocity Fuse, 4 GPM					
3	BH-7798-43	6-0286	1	Union, 3/8" JIC Male	29	BH-7798-47	6-1362	1	Hydraulic Valve Block					
4	BH-7790-65	0-0162	1	Gland Seal Kit, RH.	30	BH-7794-97	2-0961	1	Hydraulic Tube Assy.					
5	call	6-0056	2	Lockwasher, 1/4"	31	BH-7798-48	6-1372	1	Branch "T" JIC All Ends					
6	BH-7794-96	2-0960	1	Hydraulic Tube Assy.	32	BH-7796-95	3-0428	1	Cylinder Barrel, LH.					
7	BH-7794-65	2-0801	1	Piston Tube, RH.	33	call	6-0631	1	Uni-Torque Locknut, 7/8"-9					
8	BH-7796-96	3-0430	1	Hydraulic Cyl. Assy., RH.	34	BH-7794-10	2-0521	1	Piston Spigot					
9	BH-7798-75	6-0284	1	Tee, 3/8" Swivel Nut JIC Male	35	BH-7790-09	0-0160	1	Piston Seal Kit, LH.					
10	BH-7798-59	6-0021	1	Cap., 3/8" JIC	36	BH-7794-64	2-0793	1	Piston Rod, LH.					
11	call	6-0580	3	Allen HD. Setscrew, 1/4"-20 x 3/8"	37	BH-7790-80	0-0206	1	Gland Seal Kit, LH.					
12	BH-7794-34	2-0619	1	Piston	38	BH-7790-36	4-0289	1	Hydraulic Cylinder Assy., LH.					
13	BH-7798-02	0-0159	1	Piston Seal Kit, RH.	39	BH-7794-82	2-0879	1	Hydraulic Tube Assy.					
14	BH-7792-07	1-0725	1	Keeper Washer	40	BH-7798-49	6-0340	2	Circlip					
15	BH-7791-241-0102		1		41	BH-7794-66	2-0802	1	Cylinder Barrel, RH.					
Hydraulic Tube Assy.				16	call	6-0425	2	Lockwasher, 5/16"	42	call	6-0674	4	Hex Nut, 5/16"-18	
Shoulder Bolt, 1/2" x 5/8"									43	call	6-0294	4	Rnd. Hd. Bolt, 1/4"-20 x 3/8"	
17	BH-7795-31	2-1140	1	Hydraulic Tube Assy.	44	call	6-1353	7	Tube Clamp	45	BH-7798-50	6-0170	7	Hydraulic Tube Assy.
18	BH-7798-45	6-0804	2	90° 9/16" SAE M-3/8" JIC M	46	BH-7794-86	2-0887	1	Hydraulic Tube Assy.	47	BH-7790-99	6-1389	1	Hydraulic Valve Block Assy. (C/W Fittings)
19	call	6-0293	4	Hex Bolt, 5/16"-18 x 1"	51	BH-7798-51	6-0281	1	Adpt, 1/4" NPT, M-1/4" JIC M	53	BH-7798-52	6-0276	2	Adpt, 1/4" NPT, M-3/8" JIC M
20	call	6-0061	8	Flatwasher, 5/16"										
21	BH-7798-60	6-1956	1	Power Pack										
22	call	6-1265	1	"Lift Operations" Decal										
23	call	6-0028	2	Hex HD. Bolt, 1/4" x 1-3/4"										
24	BH-7792-09	1-0734	1	Felt Strip										

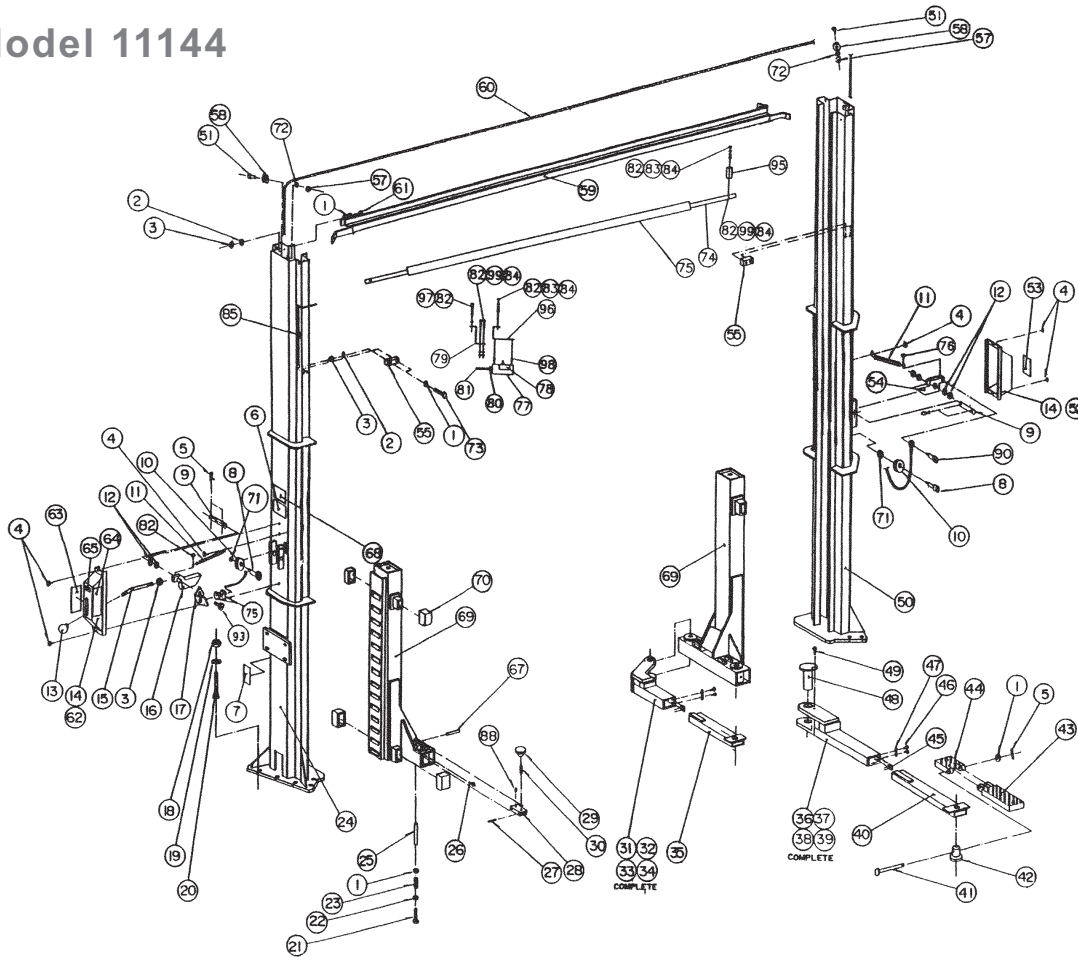
**To Order Call: 800-321-8173 or 630-844-5566 / Fax: 800-899-1784 or 630-844-6770**

All names, numbers, symbols and descriptions are used for reference purposes only. It is not implied that any part listed is the product of these manufactures, however, some parts may be the actual product of these manufacturers.



lift repair parts for Wheeltronic Ltd. lifts

Vector Model 11144



Item No.	SVI Part Number	Ref. OEM	Qty. Req.	Description
1	BH-7798-25	6-0248	20	Flatwasher, 1/2"
2	call	6-0059	12	Lockwasher, 1/2"
3	call	6-0035	13	Hex Nut, 1/2"-13
4	call	6-1134	6	Self Tap. Screw, #12 x 1/2"
5	BH-7798-53	6-0267	8	Cotter Pin, 1/8" x 1"
6	BH-7805-102	6-0996	1	ALI/ETL Decal
7	BH-7805-103	6-1583	1	"Hydraulic Leveling" Decal
8	BH-7791-09	6-0206	2	Shoulder Bolt, 3/8" x 1"
9	BH-7792-53	1-0938	2	Safety Pin
10	BH-7791-78	1-0415	2	Safety Pulley
11	BH-7792-84	1-1115	2	Safety Spring
12	call	6-0808	8	Flatwasher, 51/64" x 1" x 1/16" Thk.
13	BH-7798-26	6-1135	1	Plastic Knob
14	BH-7796-99	3-0439	2	Safety Cover
15	BH-7792-83	1-1113	1	Safety Release Handle
16	BH-7794-88	2-0902	1	Safety Dog, LH.
17	BH-7792-95	1-1291	1	Cable Connecting Bracket
18	call	6-0737	14	Hex Nut, 3/4"-10
19	call	6-0738	14	Flatwasher, 3/4"
20	BH-7798-77	6-1379	14	Wedge Anchor, 3/4"-10 x 5-1/2"

Item No.	SVI Part Number	Ref. OEM	Qty. Req.	Description
21	call	6-0027	4	Hex Bolt, 1/4"-20 x 1-1/4"
22	call	6-0626	4	1/4" Fender Washer
23	BH-7792-54	1-0939	4	Plunger Spring
24	BH-7798-61	4-0337	1	Tower, LH
25	BH-7792-12	1-0745	4	Pivot Plunger
26	BH-7800-51	6-0000	4	Grease Fitting
27	BH-7798-79	6-0437	4	Roll Pin, 1/8" x 1"
28	BH-7793-87	2-0249	4	Rack
29	BH-7791-50	1-0208	4	Knob
30	BH-7792-90	1-1135	4	Thrd. Rod, 3/8"-16 x 1-1/2"
31	BH-7797-32	3-0571	1	Short Outer Arm Tube, RH.
32	BH-7797-33	3-0572	1	Short Outer Arm Tube, LH.
33	BH-7798-62	4-0456	1	Short Locking Arm Assy., RH.
34	BH-7798-63	4-0455	1	Short Locking Arm Assy., LH.
35	BH-7795-22	2-1085	2	Short Inner Arm
36	BH-7797-30	3-0569	1	Long Outer Arm Tube , RH.
37	BH-7797-31	3-0570	1	Long Outer Arm Tube, LH.
38	BH-7798-64	4-0454	1	Long Locking Arm Assy., RH.
39	BH-7798-65	4-0453	1	Long Locking Arm Assy., LH.
40	BH-7795-21	2-1082	2	Long Inner Arm

To Order Call: 800-321-8173 or 630-844-5566 / Fax: 800-899-1784 or 630-844-6770

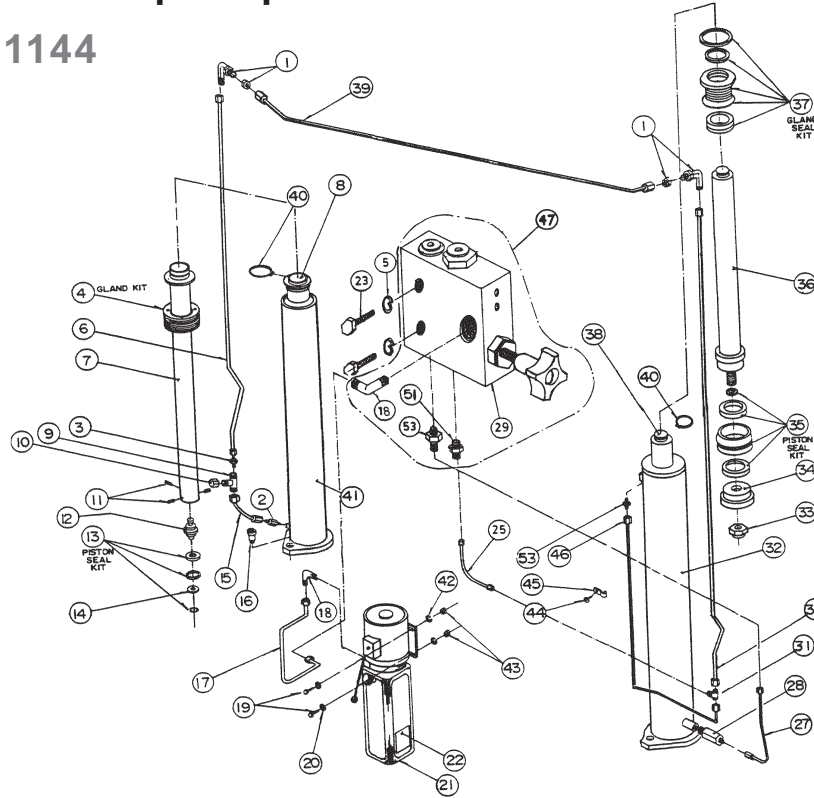
All names, numbers, symbols and descriptions are used for reference purposes only. It is not implied that any part listed is the product of these manufactures, however, some parts may be the actual product of these manufacturers.





## lift repair parts for Wheeltronic Ltd. lifts

### Vector Model 11144 Hydraulics



Item No.	SVI Part Number	Ref. OEM	Qty. Req.	Description
1	BH-7798-41	6-0012	2	90° Blkhd. 3/8" JIC-3/8" JIC
2	BH-7798-42	6-0345	1	Adpt., 3/8" NPT-3/8" JIC x 2-1/4"
3	BH-7798-43	6-0286	1	Union, 3/8" JIC Male
4	BH-7790-81	0-0207	1	Gland Seal Kit, RH.
5	call	6-0056	2	Lockwasher, 1/4"
6	BH-7794-96	2-0960	1	Hydraulic Tube Assy.
7	BH-7794-90	2-0903	1	Piston Tube, RH.
8	BH-7797-08	3-0480	1	Hydraulic Cylinder Assy., RH.
9	BH-7798-75	6-0284	1	Tee, 3/8" Swivel Nut JIC Male
10	BH-7798-59	6-0021	1	Cap., 3/8" JIC
11	call	6-0580	3	Allen HD. Setscrew, 1/4"-20 x 3/8"
12	BH-7794-34	2-0619	1	Piston
13	BH-7798-02	0-0159	1	Piston Seal Kit, RH.
14	BH-7792-07	1-0725	1	Keeper Washer
15	BH-7791-24	1-0102	1	Hydraulic Tube Assy.
16	call	6-0425	2	Shoulder Bolt, 1/2" x 5/8"
17	BH-7795-31	2-1140	1	Hydraulic Tube Assy.
18	BH-7798-45	6-0804	2	90° 9/16" SAE M-3/8" JIC M
19	call	6-0293	4	Hex Bolt, 5/16"-18 x 1"
20	call	6-0061	8	Flatwasher, 5/16"
21	BH-7798-69	6-1176	1	Power Pack
22	BH-7805-101	6-1266	1	"Lift Operations" Decal
23	call	6-0028	2	Hex HD. Bolt, 1/4" 20 x 1-3/4"

Item No.	SVI Part Number	Ref. OEM	Qty. Req.	Description
25	BH-7792-97	1-1341	1	Hydraulic Hose Assy.
27	BH-7790-42	2-0886	1	Hydraulic Tube Assy.
28	BH-7790-43	6-0422	1	Velocity Fuse, 4 GPM
29	BH-7798-47	6-1362	1	Hydraulic Valve Block
30	BH-7794-97	2-0961	1	Hydraulic Tube Assy.
31	BH-7798-48	6-1372	1	Branch "T" JIC All Ends
32	BH-7796-95	3-0428	1	Cylinder Barrel, LH.
33	call	6-0631	1	7/8"-9 Uni-Torque Locknut
34	BH-7794-10	2-0521	1	Piston Spigot
35	BH-7790-09	0-0160	1	Piston Seal Kit, LH.
36	BH-7794-64	2-0793	1	Piston Rod, LH.
37	BH-7790-80	0-0206	1	Gland Seal Kit, LH.
38	BH-7790-36	4-0289	1	Hydraulic Cylinder Assy, LH.
39	BH-7794-95	2-0959	1	Hydraulic Tube Assy.
40	BH-7798-49	6-0340	2	Circlip
41	BH-7794-66	2-0802	1	Cylinder Barrel, RH.
42	call	6-0674	4	Lockwasher, 5/16"
43	call	6-0294	4	Hex Nut, 5/16"-18
44	call	6-1353	7	Rnd. Hd. Bolt, 1/4"-20 x 3/8"
45	BH-7798-50	6-0170	7	Tube Clamp
46	BH-7794-86	2-0887	1	Hydraulic Tube Assy.
47	BH-7790-99	6-1389	1	Hydraulic Valve Block Assy. (C/W Fittings)
51	BH-7798-51	6-0281	1	Adpt., 1/4" NPT. M-1/4" JIC Male
53	BH-7798-52	6-0276	2	Adpt., 1/4" NPT. M-3/8" JIC Male

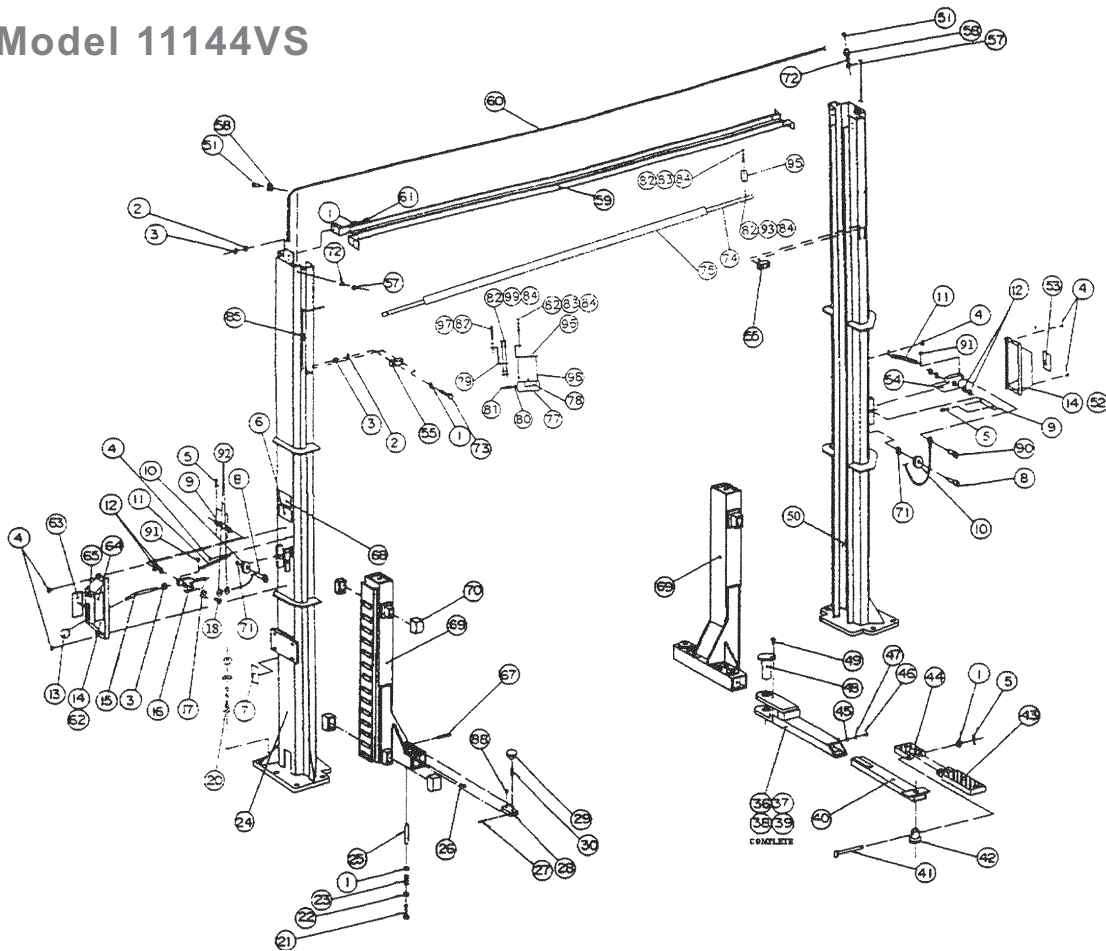
**To Order Call: 800-321-8173 or 630-844-5566 / Fax: 800-899-1784 or 630-844-6770**

All names, numbers, symbols and descriptions are used for reference purposes only. It is not implied that any part listed is the product of these manufactures, however, some parts may be the actual product of these manufacturers.



lift repair parts for Wheeltronic Ltd. lifts

Vector Model 11144VS



Item No.	SVI Part Number	Ref. OEM	Qty. Req.	Description
1	BH-7798-25	6-0248	24	Flatwasher, 1/2"
2	call	6-0059	16	Lockwasher, 1/2"
3	call	6-0035	17	Hex Nut, 1/2"-13
4	call	6-1134	6	Self Tap. Screw, #12 x 1/2"
5	BH-7798-53	6-0267	8	Cotter Pin, 1/8" x 1"
6	BH-7805-102	6-0996	1	ALI/ETL Decal
7	BH-7805-103	6-1583	1	"Hydraulic Leveling" Decal
8	BH-7791-09	6-0206	2	Shoulder Bolt, 3/8" x 1"
9	BH-7792-53	1-0938	2	Safety Pin
10	BH-7791-78	1-0415	2	Safety Pulley
11	BH-7792-84	1-1115	2	Safety Spring
12	call	6-0808	8	Flatwasher, 51/64"
13	BH-7798-26	6-1135	1	Plastic Knob
14	BH-7796-99	3-0439	2	Safety Cover
15	BH-7792-83	1-1113	1	Safety Release Handle
16	BH-7794-88	2-0902	1	Safety Dog, LH.
17	BH-7792-95	1-1291	1	Cable Connecting Bracket

Item No.	SVI Part Number	Ref. OEM	Qty. Req.	Description
18	BH-7798-76	6-0115	4	Cotter Pin, 1/8" x 2"
20	BH-7798-77	6-1379	10	Wedge Anchor, 3/4-10x5-1/2"
21	call	6-0027	4	Hex Bolt, 1/4"-20 x 1-1/4"
22	call	6-0626	4	1/4" Fender Washer
23	BH-7792-54	1-0939	4	Plunger Spring
24	BH-7798-78	4-0612	1	Tower, LH.
25	BH-7792-12	1-0745	4	Pivot Plunger
26	BH-7800-51	6-0000	4	Grease Fitting
27	BH-7798-79	6-0437	4	Roll Pin, 1/8" x 1"
28	BH-7793-87	2-0249	4	Rack
29	BH-7791-50	1-0208	4	Knob
30	BH-7792-90	1-1135	4	Thrd. Rod, 3/8"-16 x 1-1/2"
36	BH-7797-46	3-0657	2	Long Outer Arm Tube, F.L., R.R.
37	BH-7797-45	3-0656	2	Long Outer Arm Tube, F.R., R.L.
38	BH-7798-80	4-0616	2	Long Locking Arm Assy., F.L., R.R.
39	BH-7798-81	4-0617	2	Long Locking Arm Assy., F.R., R.L.
40	BH-7795-49	2-1273	4	Long Inner Arm

To Order Call: 800-321-8173 or 630-844-5566 / Fax: 800-899-1784 or 630-844-6770

All names, numbers, symbols and descriptions are used for reference purposes only. It is not implied that any part listed is the product of these manufactures, however, some parts may be the actual product of these manufacturers.



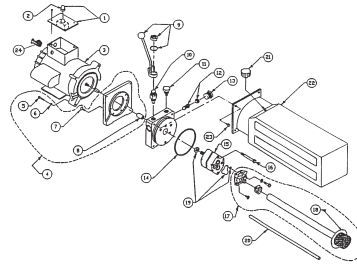
## lift repair parts for Wheeltronic Ltd. lifts

## Vector Model 11144VS – cont.

Item No.	SVI Part Number	Ref. OEM	Qty. Req.	Description	Item No.	SVI Part Number	Ref. OEM	Qty. Req.	Description
41	BH-7792-82	1-1099	4	Center Pin	70	BH-7790-19	2-0772	8	Glide Bearing
42	BH-7792-77	1-1091	4	Adapter Pin	71	BH-7798-12	6-0295	2	Flatwasher, 5/16"
43	BH-7797-37	3-0582	4	High Step Position Adpt.	72	call	6-0296	2	Lockwasher, 5/16"
44	BH-7797-38	3-0583	4	Low Position Adpt.	73	call	6-0315	8	Hex Bolt, 1/2"-13 x 2-1/4"
45	call	6-0062	4	Flatwasher, 3/8"	74	BH-7793-06	1-1439	1	Actuator Bar
46	call	6-0030	4	Hex Bolt. 3/8"-16 x 3/4"	75	BH-7798-36	6-1404	1	Foam Guard
47	call	6-0058	4	Lockwasher, 3/8"	77	BH-7798-37	6-1403	1	Electrical Utility Box
48	BH-7794-89	2-0929	4	Arm Pin	78	BH-7798-38	6-0916	1	Microswitch
49	call	6-0423	4	Hex Bolt, 5/16"-18 x 3/4"	79	BH-7792-99	1-1379	1	Actuator Extension
50	BH-7798-82	4-0611	1	Tower, RH.	80	BH-7798-39	6-1133	1	Cable Connector
51	call	6-0069	2	Shoulder Bolt, 3/8" x 5/8"	81	BH-7798-40	6-1173	1	Eq. Cable, 16/3 x 117"
52	BH-7790-78	0-0203	1	Safety Cover w/Decals, RH.	82	BH-7798-13	6-0032	7	Hex Hd. Nut 1/4" NC
53	BH-7805-100	6-0594	1	"Safety Instructions" Decal	83	call	6-0178	3	Hex Hd. Bolt 1/4" NC x 3/4"
54	BH-7794-79	2-0872	1	Safety Dog, Slave Side	84	call	6-0056	6	Lockwasher 1/4"
55	BH-7792-86	1-1119	4	Carriage Stop	85	BH-7798-74	6-1230	3	Electrical Cable Clip, 3/8"
57	call	6-0294	2	Hex Nut, 5/16"-18	88	call	6-0438	4	Set Screw, 1/4"-20 x 1/2"
58	BH-7792-85	1-1116	2	Safety Cable Pulley	90	call	6-0908	1	Shoulder Bolt, 3/8" x 1-1/4"
59	BH-7795-52	2-1281	1	Crossmember	91	call	6-0169	2	Self-Tap. Screw, #10 x 3/8"
60	BH-7798-04	1-1551	1	Safety Rel. Cable, 293 1/2"	92	BH-7798-13	6-0032	2	Hex Nut, 1/4" NC
61	call	6-0046	8	Hex Bolt, 1/2"-13 x 1-1/4"	93	call	6-0205	1	Hex Hd. Bolt, 1/4" NC x 1-1/2"
62	BH-7790-79	0-0204	1	Safety Cover w/Decals, Power Side	95	BH-7792-98	1-1378	1	Actuator Mtg. Bracket
63	BH-7805-96	6-0595	1	"Warning" Decal	96	BH-7795-32	2-1143	1	Limit Switch Mtg. Bracket
64	BH-7805-97	6-0592	1	"Caution" Decal	97	call	6-0741	1	Hex Hd. Bolt 1/4"-20 x 2"
65	BH-7805-98	6-0603	1	"Safety Release" Decal	98	call	6-1466	2	6/32" Screw (Electric Box)
67	BH-7791-70	1-0333	4	Pivot Pin	99	call	6-0027	2	Hex Hd. Bolt, 1/4" NC x 1-1/4"
68	BH-7798-67	6-1172	1	Serial # Tag					
69	BH-7798-83	4-0613	1	Carriage					

Vector Model 11144VS  
Power Pack

1	BH-7802-93	6-0881	1	Microswitch
2	BH-7803-68	6-1084	1	Microswitch Boot
3	BH-7802-53	6-0773	1	Motor 230 Vac. 1 PH. 60 Hz
4	BH-7805-14	0-0197	1	Motor Adpt.
5	call	6-1085	4	Socket HD. Cap Sow. 1/4" x 5/8"
6	call	6-0056	4	Lockwasher, 1/4"
7	call	6-1086	4	Allen Hd. Flat Sow. 1/4" x 3/4"
8	BH-7802-54	6-0774	1	Coupling
9	BH-7802-56	6-0776	1	Rel. Bracket & Handle Assy.
10	BH-7802-92	6-0880	1	Valve Cartridge Release
11	BH-7803-69	6-1087	1	Valve Cartridge Check
12	BH-7804-07	6-1324	1	Fixed Relief Valve (RV 24)
13	BH-7803-71	6-1089	1	Relief Valve Cap
14	BH-7802-87	6-0875	1	Reservoir "O" Ring
15	BH-7802-60	6-0782	1	Pump Assy.
16	BH-7803-72	6-1090	2	Pump Mounting Bolt



18	BH-7802-64	6-0786	1	Inlet Hose/Filter Assembly
19	BH-7790-77	0-0199	1	Pump "O" Ring Kit
20	BH-7802-61	6-0783	1	Return Tube
21	BH-7804-13	6-1376	1	Breather-Filler Cap (Plastic)
22	BH-7804-17	6-1399	1	Reservoir (Plastic)
23	BH-7803-73	6-1091	4	Reservoir Screw
24	BH-7803-76	6-1133	1	Cable Connector, 3/8"

To Order Call: 800-321-8173 or 630-844-5566 / Fax: 800-899-1784 or 630-844-6770

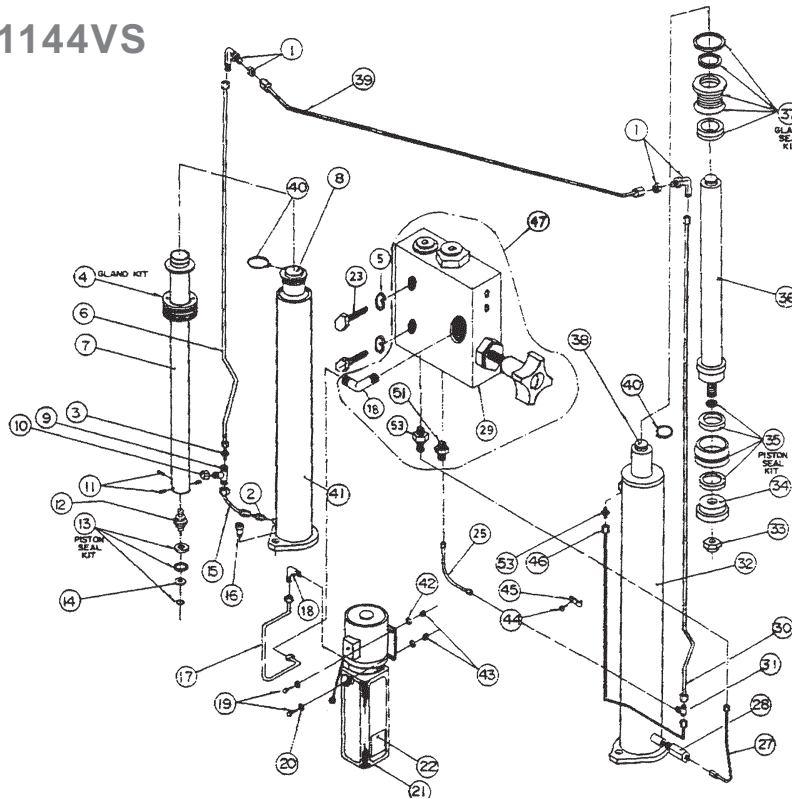
All names, numbers, symbols and descriptions are used for reference purposes only. It is not implied that any part listed is the product of these manufactures, however, some parts may be the actual product of these manufacturers.





lift repair parts for Wheeltronic Ltd. lifts

Vector Model 11144VS  
Hydraulics



Item No.	SVI Part Number	Ref. OEM	Qty. Req.	Description	Item No.	SVI Part Number	Ref. OEM	Qty. Req.	Description
1	BH-7798-41	6-0012	2	Blkhd., 90°, 3/8" JIC-3/8" JIC	25	BH-7792-97	1-1341	1	Hydraulic Hose Assy.
2	BH-7798-42	6-0345	1	Adpt, 3/8" NPT-3/8" JIC x 2-1/4"	27	BH-7790-42	2-0886	1	Hydraulic Tube Assy.
3	BH-7798-43	6-0286	1	Union, 3/8" JIC Male	28	BH-7790-43	6-0422	1	Velocity Fuse, 4 GPM
4	BH-7790-81	0-0207	1	Gland Seal Kit, RH.	29	BH-7798-47	6-1362	1	Hydraulic Valve Block
5	call	6-0056	2	Lockwasher, 1/4"	30	BH-7794-97	2-0961	1	Hydraulic Tube Assy.
6	BH-7794-96	2-0960	1	Hydraulic Tube Assy.	31	BH-7798-48	6-1372	1	Branch "T" JIC All Ends
7	BH-7794-90	2-0930	1	Piston Tube, RH.	32	BH-7796-95	3-0428	1	Cylinder Barrel, LH.
8	BH-7797-08	3-0480	1	Hydraulic Cyl. Assy., RH.	33	call	6-0631	1	Uni-Torque Locknut, 7/8"-9
9	BH-7798-75	6-0284	1	Tee, 3/8" Swivel Nut JIC Male	34	BH-7794-10	2-0521	1	Piston Spigot
10	BH-7798-59	6-0021	1	Cap. 3/8" JIC	35	BH-7790-09	0-0160	1	Piston Seal Kit, LH.
11	call	6-0580	3	Allen HD. Setscrew, 1/4"-20 x 3/8"	36	BH-7794-64	2-0793	1	Piston Rod, LH.
12	BH-7794-34	2-0619	1	Piston	37	BH-7790-80	0-0206	1	Gland Seal Kit, LH.
13	BH-7798-02	0-0159	1	Piston Seal Kit, RH.	38	BH-7790-36	4-0289	1	Hydraulic Cyl. Assy, LH.
14	BH-7792-07	1-0725	1	Keeper Washer	39	BH-7795-53	2-1286	1	Hydraulic Tube Assy.
15	BH-7791-24	1-0102	1	Hydraulic Tube Assy.	40	BH-7798-49	6-0340	2	Circlip
16	call	6-0425	2	Shoulder Bolt, 1/2" x 5/8"	41	BH-7794-66	2-0802	1	Cylinder Barrel, RH.
17	BH-7795-31	2-1140	1	Hydraulic Tube Assy.	42	call	6-0674	4	Lockwasher, 5/16"
18	BH-7798-45	6-0804	2	Elbow 90°, 9/16" SAEM-3/8" JIC M	43	call	6-0294	4	Hex Nut, 5/16"-18
19	call	6-0293	4	Hex Bolt, 5/16"-18 x 1"	44	call	6-1353	7	Rnd. Hd. Bolt, 1/4"-20 x 3/8"
20	call	6-0061	8	Flatwasher, 5/16"	45	BH-7798-50	6-0170	7	Tube Clamp
21	BH-7798-69	6-1176	1	Power Pack	46	BH-7794-86	2-0887	1	Hydraulic Tube Assy.
22	BH-7805-101	6-1266	1	"Lift Operations" Decal	47	BH-7790-99	6-1389	1	Hydraulic Valve Block Assy. (C/W Fittings)
23	call	6-0028	2	Hex HD. Bolt, 1/4" 20 x 1-3/4"	51	BH-7798-51	6-0281	1	Adpt, 1/4" NPT, M-1/4" JIC Male
					53	BH-7798-52	6-0276	2	Adpt, 1/4" NPT, M-3/8" JIC Male

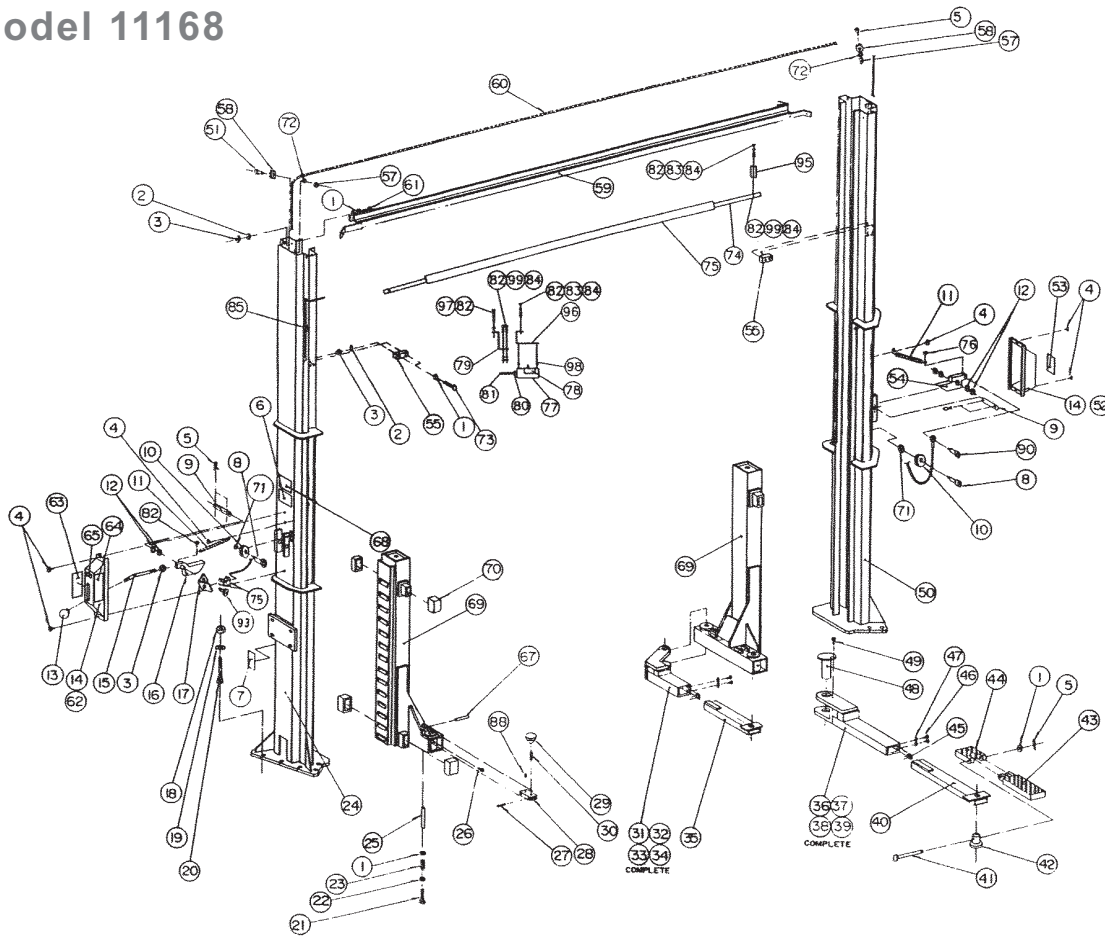
To Order Call: 800-321-8173 or 630-844-5566 / Fax: 800-899-1784 or 630-844-6770

All names, numbers, symbols and descriptions are used for reference purposes only. It is not implied that any part listed is the product of these manufactures, however, some parts may be the actual product of these manufacturers.



lift repair parts for Wheeltronic Ltd. lifts

Vector Model 11168



Item No.	SVI Part Number	Ref. OEM	Qty. Req.	Description
1	BH-7798-25	6-0248	20	Flatwasher, 1/2"
2	call	6-0059	12	Lockwasher, 1/2"
3	call	6-0035	13	Hex Nut, 1/2"-13
4	call	6-1134	6	Self Tap. Screw, #12 x 1/2"
5	BH-7798-53	6-0267	8	Cotter Pin, 1/8" x 1"
6	BH-7805-102	6-0996	1	ALI/ETL Decal
7	BH-7805-103	6-1583	1	"Hydraulic Leveling" Decal
8	BH-7791-09	6-0206	2	Shoulder Bolt, 3/8" x 1"
9	BH-7792-53	1-0938	2	Safety Pin
10	BH-7791-78	1-0415	2	Safety Pulley
11	BH-7792-84	1-1115	2	Safety Spring
12	call	6-0808	8	Flatwasher, 5/164" x 1" x 1/16" Thk.
13	BH-7798-26	6-1135	1	Plastic Knob
14	BH-7796-99	3-0439	2	Safety Cover
15	BH-7792-83	1-1113	1	Safety Release Handle
16	BH-7794-88	2-0902	1	Safety Dog, LH.
17	BH-7792-95	1-1291	1	Cable Connecting Bracket
18	call	6-0737	14	Hex Nut, 3/4"-10
19	call	6-0738	14	Flatwasher, 3/4"
20	BH-7798-77	6-1379	14	Wedge Anchor, 3/4"-10 x 5-1/2"

Item No.	SVI Part Number	Ref. OEM	Qty. Req.	Description
21	call	6-0027	4	Hex Bolt, 1/4"-20 x 1-1/4"
22	call	6-0626	4	1/4" Fender Washer
23	BH-7792-54	1-0939	4	Plunger Spring
24	BH-7798-70	4-0413	1	Tower, LH.
25	BH-7792-12	1-0745	4	Pivot Plunger
26	BH-7800-51	6-0000	4	Grease Fitting
27	BH-7798-79	6-0437	4	Roll Pin, 1/8" x 1"
28	BH-7793-87	2-0249	4	Rack
29	BH-7791-50	1-0208	4	Knob
30	BH-7792-90	1-1135	4	Thrd. Rod, 3/8" 16 x 1-1/2"
31	BH-7797-32	3-0571	1	Short Outer Arm Tube, RH.
32	BH-7797-33	3-0572	1	Short Outer Arm Tube, LH.
33	BH-7798-62	4-0456	1	Short Locking Arm Assy., RH.
34	BH-7798-63	4-0455	1	Short Locking Arm Assy., LH.
35	BH-7795-22	2-1085	2	Short Inner Arm
36	BH-7797-30	3-0569	1	Long Outer Arm Tube, RH.
37	BH-7797-31	3-0570	1	Long Outer Arm Tube, LH.
38	BH-7798-64	4-0454	1	Long Locking Arm Assy., RH.
39	BH-7798-65	4-0453	1	Long Locking Arm Assy., LH.
40	BH-7795-21	2-1082	2	Long Inner Arm

To Order Call: 800-321-8173 or 630-844-5566 / Fax: 800-899-1784 or 630-844-6770

All names, numbers, symbols and descriptions are used for reference purposes only. It is not implied that any part listed is the product of these manufactures, however, some parts may be the actual product of these manufacturers.



## lift repair parts for Wheeltronic Ltd. lifts

### Vector Model 11168 — cont.

Item No.	SVI Part Number	Ref. OEM	Qty. Req.	Description	Item No.	SVI Part Number	Ref. OEM	Qty. Req.	Description
41	BH-7792-82	1-1099	4	Center Pin	70	BH-7790-19	2-0772	8	Glide Bearing
42	BH-7792-77	1-1091	4	Adapter Pin	71	BH-7798-12	6-0295	2	Flatwasher, 5/16"
43	BH-7797-37	3-0582	4	High Step Position Adpt.	72	call	6-0296	2	Lockwasher, 5/16"
44	BH-7797-38	3-0583	4	Low Position Adpt.	73	call	6-0315	8	Hex Bolt, 1/2"-13 x 2-1/4"
45	BH-7791-59	1-0262	4	Arm Stop	74	BH-7793-06	1-1439	1	Actuator Bar
46	call	6-0339	8	Hex Bolt, 1/4"-28 UNF x 5/8"	75	BH-7798-36	6-1404	1	Foam Guard
47	call	6-0056	8	Lockwasher, 1/4"	76	call	6-0169	2	Self Tap. Screw, #10 x 3/8"
48	BH-7794-89	2-0929	4	Arm Pin	77	BH-7798-37	6-1403	1	Electrical Utility Box
49	call	6-0423	4	Hex Bolt, 5/16"-18 x 3/4"	78	BH-7798-38	6-0916	1	Microswitch
50	BH-7798-71	4-0414	1	Tower, RH.	79	BH-7792-99	1-1379	1	Actuator Extension
51	call	6-0069	2	Shoulder Bolt, 3/8" x 5/8"	80	BH-7798-39	6-1133	1	Cable Connector
52	BH-7790-78	0-0203	1	Safety Cover w/Decals, RH.	81	BH-7798-73	6-1359	1	Elec. Cable, 16/3 x 141"
53	BH-7805-100	6-0594	1	"Safety Instructions" Decal	82	BH-7798-13	6-0032	7	Hex Hd. Nut 1/4" NC
54	BH-7794-79	2-0872	1	Safety Dog, RH.	83	call	6-0178	3	Hex Hd. Bolt 1/4" NC x 3/4"
55	BH-7792-86	1-1119	4	Carriage Stop	84	call	6-0056	6	Lockwasher 1/4"
57	call	6-0294	2	Hex Nut, 5/16"-18	85	BH-7798-74	6-1230	3	3/8" Clip
58	BH-7792-85	1-1116	2	Safety Cable Pulley	88	call	6-0438	4	Set Screw, 1/4"-20 x 1/2"
59	BH-7797-09	3-0488	1	Crossmember	90	call	6-0908	1	Shoulder Bolt, 3/8" x 1-1/4"
60	BH-7798-72	1-1372	1	Safety Release Cable	93	call	6-0185	1	Shoulder Bolt, 5/16" 1/4"
61	call	6-0291	4	Hex Bolt, 1/2"-13 x 1-1/2"	95	BH-7792-98	1-1378	1	Actuator Mtg. Bracket
62	BH-7790-79	0-0204	1	Safety Cover w/Decals, LH.	96	BH-7795-32	2-1143	1	Limit Switch Mtg. Bracket
63	BH-7805-96	6-0595	1	"Warning" Decal	97	call	6-0177	1	Hex Hd. Bolt, 1/4" NC x 2"
64	BH-7805-97	6-0592	1	"Caution" Decal	98	call	6-1466	2	6/32" Screw (Electric Box)
65	BH-7805-98	6-0603	1	"Safety Release" Decal	99	call	6-0027	3	Hex Hd. Bolt, 1/4" NC x 1-1/4"
67	BH-7791-70	1-0333	4	Pivot Pin					
68	BH-7798-67	6-1172	1	Serial # Tag					
69	BH-7798-68	4-0392	2	Carriage					

### Vector Model 11168 Power Pack

1	BH-7802-93	6-0881	1	Microswitch					
2	BH-7803-68	6-1084	1	Microswitch Boot					
3	BH-7802-53	6-0773	1	Motor 230 Vac. 1 PH. 60 Hz					
4	BH-7805-14	0-0197	1	Motor Adapter					
5	call	6-1085	4	Skt. HD. Cap Scw. 1/4" x 5/8"					
6	call	6-0056	4	Lockwasher, 1/4"					
7	call	6-1086	4	Allen Hd. Flat Scw. 1/4" x 3/4"					
8	BH-7802-54	6-0774	1	Coupling					
9	BH-7802-56	6-0776	1	Rel. Bracket & Handle Assy.					
10	BH-7802-92	6-0880	1	Valve Cartridge Release					
11	BH-7803-69	6-1087	1	Valve Cartridge Check					
12	BH-7804-07	6-1324	1	Fixed Relief Valve (RV 24)					
13	BH-7803-71	6-1089	1	Relief Valve Cap					
14	BH-7802-87	6-0875	1	Reservoir "O" Ring					
15	BH-7802-60	6-0782	1	Pump Assembly					
16	BH-7803-72	6-1090	2	Pump Mounting Bolt					
17	BH-7790-76	0-0198	1	Inlet Plumbing Kit					
18	BH-7802-64	6-0786	1	Inlet Hose/Filter Assembly					
19	BH-7790-77	0-0199	1	Pump "O" Ring Kit					
20	BH-7802-61	6-0783	1	Return Tube					
21	BH-7804-13	6-1376	1	Breather-Filler Cap (Plastic)					
22	BH-7804-17	6-1399	1	Reservoir (Plastic)					
23	BH-7803-73	6-1091	4	Reservoir Screw					
24	BH-7803-76	6-1133	1	Cable Connector, 3/8"					

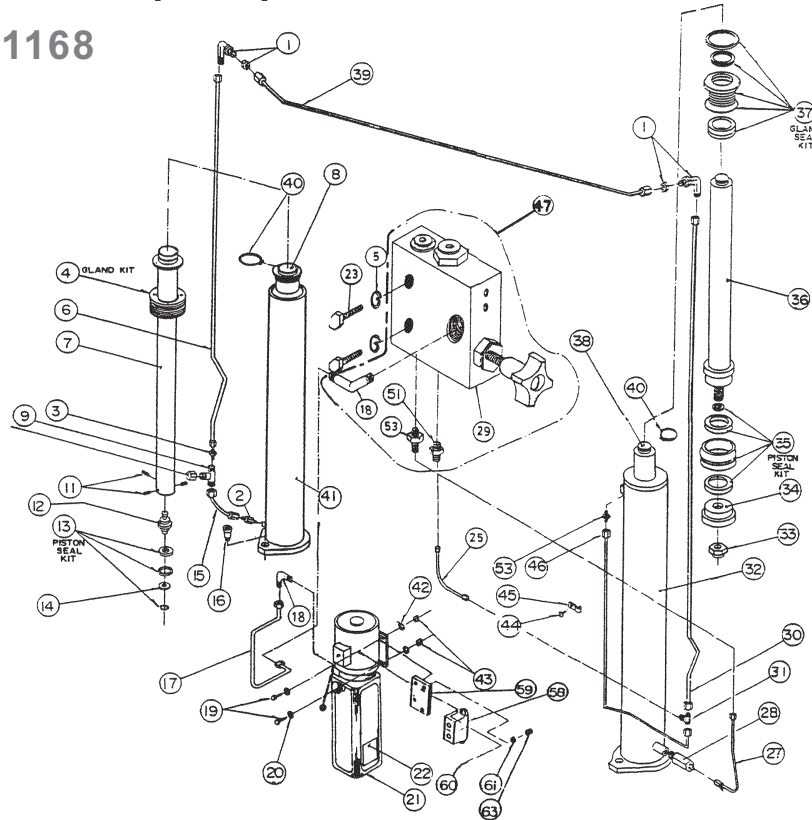
**To Order Call: 800-321-8173 or 630-844-5566 / Fax: 800-899-1784 or 630-844-6770**

All names, numbers, symbols and descriptions are used for reference purposes only. It is not implied that any part listed is the product of these manufactures, however, some parts may be the actual product of these manufacturers.



lift repair parts for Wheeltronic Ltd. lifts

Vector Model 11168  
Hydraulics



Item No.	SVI Part Number	Ref. OEM	Qty. Req.	Description
1	BH-7798-41	6-0012	2	90° Blkhd. 3/8" JIC-3/8" JIC
2	BH-7798-42	6-0345	1	Adpt., 3/8" NPT-3/8" JIC x 2-1/4"
3	BH-7798-43	6-0286	1	Union, 3/8" JIC Male
4	BH-7790-81	0-0207	1	Gland Seal Kit, RH.
5	call	6-0056	2	Lockwasher, 1/4"
6	BH-7795-20	2-1065	1	Hydraulic Tube Assy.
7	BH-7794-90	2-0930	1	Piston Tube, RH.
8	BH-7797-08	3-0480	1	Hydraulic Cyl. Assy, RH.
9	BH-7798-75	6-0284	1	Tee, 3/8" Swivel Nut JIC Male
10	BH-7798-59	6-0021	1	Cap. 3/8" JIC
11	call	6-0580	3	Allen HD. Setscrew, 1/4"-20 x 3/8"
12	BH-7794-34	2-0619	1	Piston
13	BH-7798-02	0-0159	1	Piston Seal Kit, RH.
14	BH-7792-07	1-0725	1	Keeper Washer
15	BH-7791-24	1-0102	1	Hydraulic Tube Assy.
16	call	6-0425	2	Shoulder Bolt, 1/2" x 5/8"
17	BH-7795-31	2-1140	1	Hydraulic Tube Assy.
18	BH-7798-45	6-0804	2	90° 9/16" SAE M-3/8" JIC M
19	call	6-0293	4	Hex Bolt, 5/16"-18 x 1"
20	call	6-0061	8	Flatwasher, 5/16"
21	BH-7798-69	6-1176	1	Power Pack
22	BH-7805-101	6-1266	1	"Lift Operations" Decal
23	call	6-0028	2	Hex HD. Bolt, 1/4" 20 x 1-3/4"
25	BH-7792-97	1-1341	1	Hydraulic Hose Assy.

Item No.	SVI Part Number	Ref. OEM	Qty. Req.	Description
27	BH-7790-42	2-0886	1	Hydraulic Tube Assy.
28	BH-7790-43	6-0422	1	Velocity Fuse, 4 GPM
29	BH-7798-47	6-1362	1	Hydraulic Valve Block
30	BH-7795-19	2-1064	1	Hydraulic Tube Assy.
31	BH-7798-48	6-1372	1	Branch "T" JIC All Ends
32	BH-7796-95	3-0428	1	Cylinder Barrel, LH.
33	call	6-0631	1	Uni-Torque Locknut, 7/8"-9
34	BH-7794-10	2-0521	1	Piston Spigot
35	BH-7790-09	0-0160	1	Piston Seal Kit, LH.
36	BH-7794-64	2-0793	1	Piston Rod, LH.
37	BH-7790-80	0-0206	1	Gland Seal Kit, LH.
38	BH-7790-36	4-0289	1	Hydraulic Cyl. Assy, LH.
39	BH-7794-95	2-0959	1	Hydraulic Tube Assy.
40	BH-7798-49	6-0340	2	Circlip
41	BH-7794-66	2-0802	1	Cylinder Barrel, RH.
42	call	6-0674	4	Lockwasher, 5/16"
43	call	6-0294	4	Hex Nut, 5/16"-18
44	call	6-1353	7	Rnd. Hd. Bolt, 1/4"-20 x 3/8"
45	BH-7798-50	6-0170	7	Tube Clamp
46	BH-7794-86	2-0887	1	Hydraulic Tube Assy.
47	BH-7790-99	6-1389	1	Hydraulic Valve Block Assembly (C/W Fittings)
51	BH-7795-51	6-0281	1	Adpt., 1/4" NPT. M-1/4" JIC M
53	BH-7798-52	6-0276	2	Adpt., 1/4" NPT. M-3/8" JIC M

To Order Call: 800-321-8173 or 630-844-5566 / Fax: 800-899-1784 or 630-844-6770

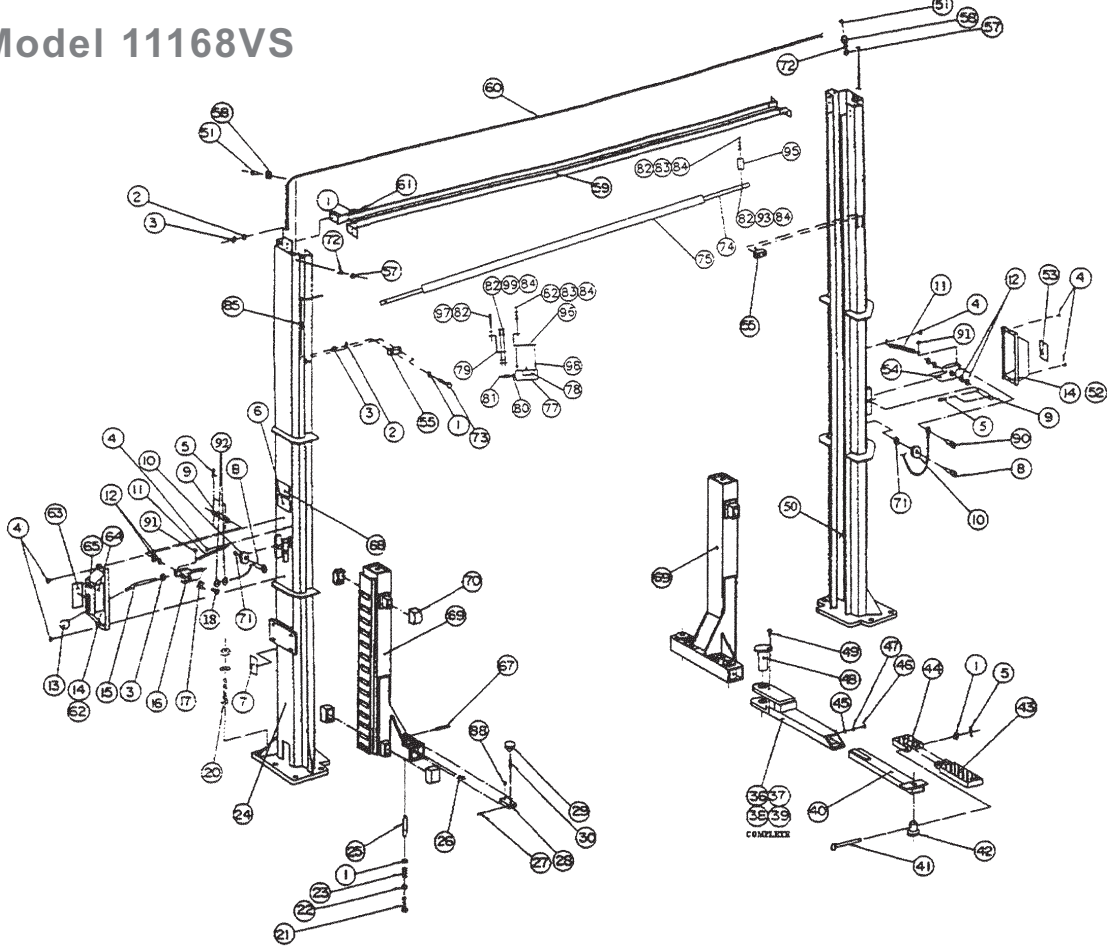
All names, numbers, symbols and descriptions are used for reference purposes only. It is not implied that any part listed is the product of these manufactures, however, some parts may be the actual product of these manufacturers.





lift repair parts for Wheeltronic Ltd. lifts

Vector Model 11168VS



Item No.	SVI Part Number	Ref. OEM	Qty. Req.	Description
1	BH-7798-25	6-0248	24	Flatwasher, 1/2"
2	call	6-0059	16	Lockwasher, 1/2"
3	call	6-0035	17	Hex Nut, 1/2"-13
4	call	6-1134	6	Self Tap. Screw, #12 x 1/2"
5	BH-7798-53	6-0267	8	Cotter Pin, 1/8" x 1"
6	BH-7805-102	6-0996	1	ALI/ETL Decal
7	BH-7805-103	6-1583	1	"Hydraulic Leveling" Decal
8	BH-7791-09	6-0206	2	Shoulder Bolt, 3/8" x 1"
9	BH-7792-53	1-0938	2	Safety Pin
10	BH-7791-78	1-0415	2	Safety Pulley
11	BH-7792-84	1-1115	2	Safety Spring
12	call	6-0808	8	Flatwasher, 51/64" x 1" x 1/16" Thk.
13	BH-7798-26	6-1135	1	Plastic Knob
14	BH-7796-99	3-0439	2	Safety Cover
15	BH-7792-83	1-1113	1	Safety Release Handle
16	BH-7794-88	2-0902	1	Safety Dog, Power Side
17	BH-7792-95	1-1291	1	Cable Connecting Bracket

Item No.	SVI Part Number	Ref. OEM	Qty. Req.	Description
18	BH-7798-76	6-0115	4	Cotter Pin, 1/8" x 2"
20	BH-7798-77	6-1379	10	Wedge Anchor, 3/4"-10 x 5-1/2"
21	call	6-0027	4	Hex Bolt, 1/4"-20 x 1-1/4"
22	call	6-0626	4	1/4" Fender Washer
23	BH-7792-54	1-0939	4	Plunger Spring
24	BH-7800-13	4-0621	1	Tower, LH.
25	BH-7792-12	1-0745	4	Pivot Plunger
26	BH-7800-51	6-0000	4	Grease Fitting
27	BH-7798-79	6-0437	4	Roll Pin, 1/8" x 1"
28	BH-7793-87	2-0249	4	Rack
29	BH-7791-50	1-0208	4	Knob
30	BH-7792-90	1-1135	4	Thrd. Rod, 3/8"-16 x 1-1/2"
36	BH-7797-46	3-0657	2	Long Outer Arm Tube, FL., R.R.
37	BH-7797-45	3-0656	2	Long Outer Arm Tube, FR., R.L.
38	BH-7798-80	4-0616	2	Long Locking Arm Assy., FL., R.R.
39	BH-7798-81	4-0617	2	Long Locking Arm Assy., FR., R.L.
40	BH-7795-49	2-1273	4	Long Inner Arm

To Order Call: 800-321-8173 or 630-844-5566 / Fax: 800-899-1784 or 630-844-6770

All names, numbers, symbols and descriptions are used for reference purposes only. It is not implied that any part listed is the product of these manufactures, however, some parts may be the actual product of these manufacturers.



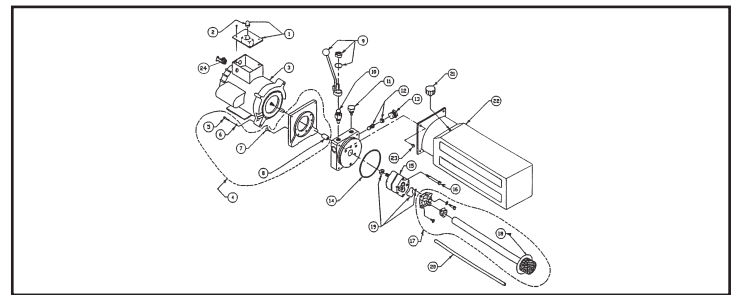
lift repair parts for Wheeltronic Ltd. lifts

Item No.	SVI Part Number	Ref. OEM	Qty. Req.	Description
41	BH-7792-82	1-1099	4	Center Pin
42	BH-7792-77	1-1091	4	Adapter Pin
43	BH-7797-37	3-0582	4	High Step Position Adpt.
44	BH-7797-38	3-0583	4	Low Position Adpt.
45	call	6-0062	4	Flatwasher, 3/8"
46	call	6-0030	4	Hex Bolt, 3/8"-16 x 3/4"
47	call	6-0058	4	Lockwasher, 3/8"
48	BH-7794-89	2-0929	4	Arm Pin
49	call	6-0423	4	Hex Bolt, 5/16"-18 x 3/4"
50	BH-7800-12	4-0620	1	Tower, RH.
51	call	6-0069	2	Shoulder Bolt, 3/8" x 5/8"
52	BH-7790-78	0-0203	1	Safety Cvr. w/Decals, RH.
53	BH-7805-100	6-0594	1	"Safety Instructions" Decal
54	BH-7794-79	2-0872	1	Safety Dog, Slave Side
55	BH-7792-86	1-1119	4	Carriage Stop
57	call	6-0294	2	Hex Nut, 5/16"-18
58	BH-7792-85	1-1116	2	Safety Cable Pulley
59	BH-7795-52	2-1281	1	Crossmember
60	BH-7793-18	1-1647	1	Safety Rel. Cable, 341 1/2"
61	call	6-0046	8	Hex Bolt, 1/2"-13 x 1-1/4"
62	BH-7790-79	0-0204	1	Safety Cvr. w/Decals, Power Side
63	BH-7805-96	6-0595	1	"Warning" Decal
64	BH-7805-97	6-0592	1	"Caution" Decal
65	BH-7805-98	6-0603	1	"Safety Release" Decal
67	BH-7791-70	1-0333	4	Pivot Pin
68	BH-7798-67	6-1172	1	Serial # Tag

Item No.	SVI Part Number	Ref. OEM	Qty. Req.	Description
70	BH-7790-19	2-0772	8	Glide Bearing
71	BH-7798-12	6-0295	2	Flatwasher, 5/16"
72	call	6-0296	2	Lockwasher, 5/16"
73	call	6-0315	8	Hex Bolt, 1/2"-13 x 2-1/4"
74	BH-7793-06	1-1439	1	Actuator Bar
75	BH-7798-36	6-1404	1	Foam Guard
77	BH-7798-37	6-1403	1	Electrical Utility Box
78	BH-7798-38	6-0916	1	Microswitch
79	BH-7792-99	1-1379	1	Actuator Extension
80	BH-7798-39	6-1133	1	Cable Connector
81	BH-7804-31	6-1513	1	Eq. Cable, 16/3 x 141"
82	BH-7798-13	6-0032	7	Hex Hd. Nut, 1/4" NC
83	call	6-0178	3	Hex Hd. Bolt, 1/4" NC x 3/4"
84	call	6-0056	6	Lockwasher, 1/4"
85	BH-7798-74	6-1230	3	Electrical Cable Clip, 3/8"
88	call	6-0438	4	Set Screw, 1/4"-20 x 1/2"
90	call	6-0908	1	Shoulder Bolt, 3/8" x 1-1/4"
91	call	6-0169	2	Self-Tap. Screw, #10 x 3/8"
92	BH-7798-13	6-0032	2	Hex Nut, 1/4" NC
93	call	6-0205	1	Hex Hd. Bolt, 1/4" NC x 1-1/2"
95	BH-7792-98	1-1378	1	Actuator Mtg. Bracket
96	BH-7795-32	2-1143	1	Limit Switch Mtg. Bracket
97	call	6-0741	1	Hex Hd. Bolt, 1/4"-20 x 2"
98	call	6-1466	2	6/32" Screw (Electrical Box)
99	call	6-0027	2	Hex Hd. Bolt, 1/4" x 1-1/4"

Vector Model 11168VS  
Power Pack

1	BH-7802-93	6-0881	1	Microswitch
2	BH-7803-68	6-1084	1	Microswitch Boot
3	BH-7802-53	6-0773	1	Motor 230 Vac. 1 PH., 60 Hz
4	BH-7805-14	0-0197	1	Motor Adpt.
5	call	6-1085	4	Skt. HD. Cap Scw. 1/4" x 5/8"
6	call	6-0056	4	Lockwasher, 1/4"
7	call	6-1086	4	Allen Hd. Flat Scw., 1/4" x 3/4"
8	BH-7802-54	6-0774	1	Coupling
9	BH-7802-56	6-0776	1	Rel. Bracket & Handle Assy.
10	BH-7802-92	6-0880	1	Valve Cartridge Release
11	BH-7803-69	6-1087	1	Valve Cartridge Check
12	BH-7804-07	6-1324	1	Fixed Relief Valve (RV 24)
13	BH-7803-71	6-1089	1	Relief Valve Cap
14	BH-7802-87	6-0875	1	Reservoir "O" Ring
15	BH-7802-60	6-0782	1	Pump Assy.
16	BH-7803-72	6-1090	2	Pump Mounting Bolt
17	BH-7790-76	0-0198	1	Inlet Plumbing Kit



18	BH-7802-64	6-0786	1	Inlet Hose/Filter Assy.
19	BH-7790-77	0-0199	1	Pump "O" Ring Kit
20	BH-7802-61	6-0783	1	Return Tube
21	BH-7804-13	6-1376	1	Breather-Filler Cap (Plastic)
22	BH-7804-17	6-1399	1	Reservoir (Plastic)
23	BH-7803-73	6-1091	4	Reservoir Screw
24	BH-7803-76	6-1133	1	Cable Connector, 3/8"

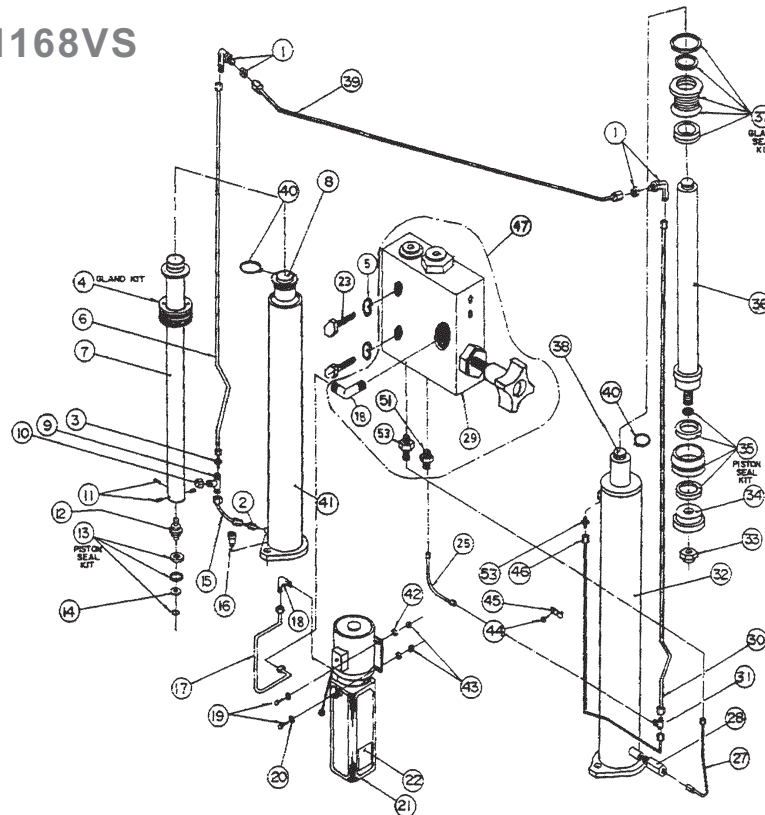
To Order Call: 800-321-8173 or 630-844-5566 / Fax: 800-899-1784 or 630-844-6770

All names, numbers, symbols and descriptions are used for reference purposes only. It is not implied that any part listed is the product of these manufactures, however, some parts may be the actual product of these manufacturers.



lift repair parts for Wheeltronic Ltd. lifts

Vector Model 11168VS  
Hydraulics



Item No.	SVI Part Number	Ref. OEM	Qty. Req.	Description	Item No.	SVI Part Number	Ref. OEM	Qty. Req.	Description
1	BH-7798-41	6-0012	2	90° BlkHd. , 3/8" JIC-3/8" JIC	27	BH-7790-42	2-0886	1	Hyd. Tube Assy.
2	BH-7798-42	6-0345	1	Adpt, 3/8" NPT-3/8" JIC x 2-1/4"	28	BH-7790-43	6-0422	1	Velocity Fuse, 4 GPM
3	BH-7798-43	6-0286	1	Union, 3/8" JIC Male	29	BH-7798-47	6-1362	1	Hyd. Valve Block
4	BH-7790-81	0-0207	1	Gland Seal Kit, RH.	30	BH-7795-19	2-1064	1	Hyd. Tube Assy.
5	call	6-0056	2	Lockwasher, 1/4"	31	BH-7798-48	6-1372	1	Branch "T" JIC All Ends
6	BH-7795-20	2-1065	1	Hyd. Tube Assy.	32	BH-7796-95	3-0428	1	Cyl. Barrel, LH.
7	BH-7794-90	2-0930	1	Piston Tube, RH.	33	call	6-0631	1	Uni-Torque Locknut, 7/8"-9
8	BH-7797-08	3-0480	1	Hyd. Cyl. Assy, RH.	34	BH-7794-10	2-0521	1	Piston Spigot
9	BH-7798-75	6-0284	1	Tee, 3/8" Swivel Nut JIC Male	35	BH-7790-09	0-0160	1	Piston Seal Kit, LH.
10	BH-7798-59	6-0021	1	Cap. 3/8" JIC	36	BH-7794-64	2-0793	1	Piston Rod, LH.
11	call	6-0580	3	Allen HD. Setscrew, 1/4"-20 x 3/8"	37	BH-7790-80	0-0206	1	Gland Seal Kit, LH.
12	BH-7794-34	2-0619	1	Piston	38	BH-7790-36	4-0289	1	Hyd. Cyl. Assy, LH.
13	BH-7798-02	0-0159	1	Piston Seal Kit, RH.	39	BH-7795-53	2-1286	1	Hyd. Tube Assy.
14	BH-7792-07	1-0725	1	Keeper Washer	40	BH-7798-49	6-0340	2	Circlip
15	BH-7791-24	1-0102	1	Hyd. Tube Assy.	41	BH-7794-66	2-0802	1	Cyl. Barrel, RH.
16	call	6-0425	2	Shoulder Bolt, 1/2" x 5/8"	42	call	6-0674	4	Lockwasher, 5/16"
17	BH-7795-31	2-1140	1	Hyd. Tube Assy.	43	call	6-0294	4	Hex Nut, 5/16"-18
18	BH-7798-45	6-0804	2	90° 9/16" SAE M-3/8" JIC M	44	call	6-1353	7	Rnd. Hd. Bolt, 1/4"-20 x 3/8"
19	call	6-0293	4	Hex Bolt, 5/16"-18 x 1"	45	BH-7798-50	6-0170	7	Tube Clamp
20	call	6-0061	8	Flatwasher, 5/16"	46	BH-7794-86	2-0887	1	Hydraulic Tube Assy.
21	BH-7798-69	6-1176	1	Power Pack	47	BH-7790-99	6-1389	1	Hydraulic Valve Block Assy. (C/W Fittings)
22	BH-7805-101	6-1266	1	"Lift Operations" Decal	51	BH-7798-51	6-0281	1	Adpt, 1/4" NPT, M-1/4" JIC M
23	call	6-0028	2	Hex HD. Bolt 1/4" 20 x 1-3/4"	53	BH-7798-52	6-0276	2	Adpt, 1/4" NPT, M-3/8" JIC M
25	BH-7792-97	1-1341	1	Hyd. Hose Assy.					

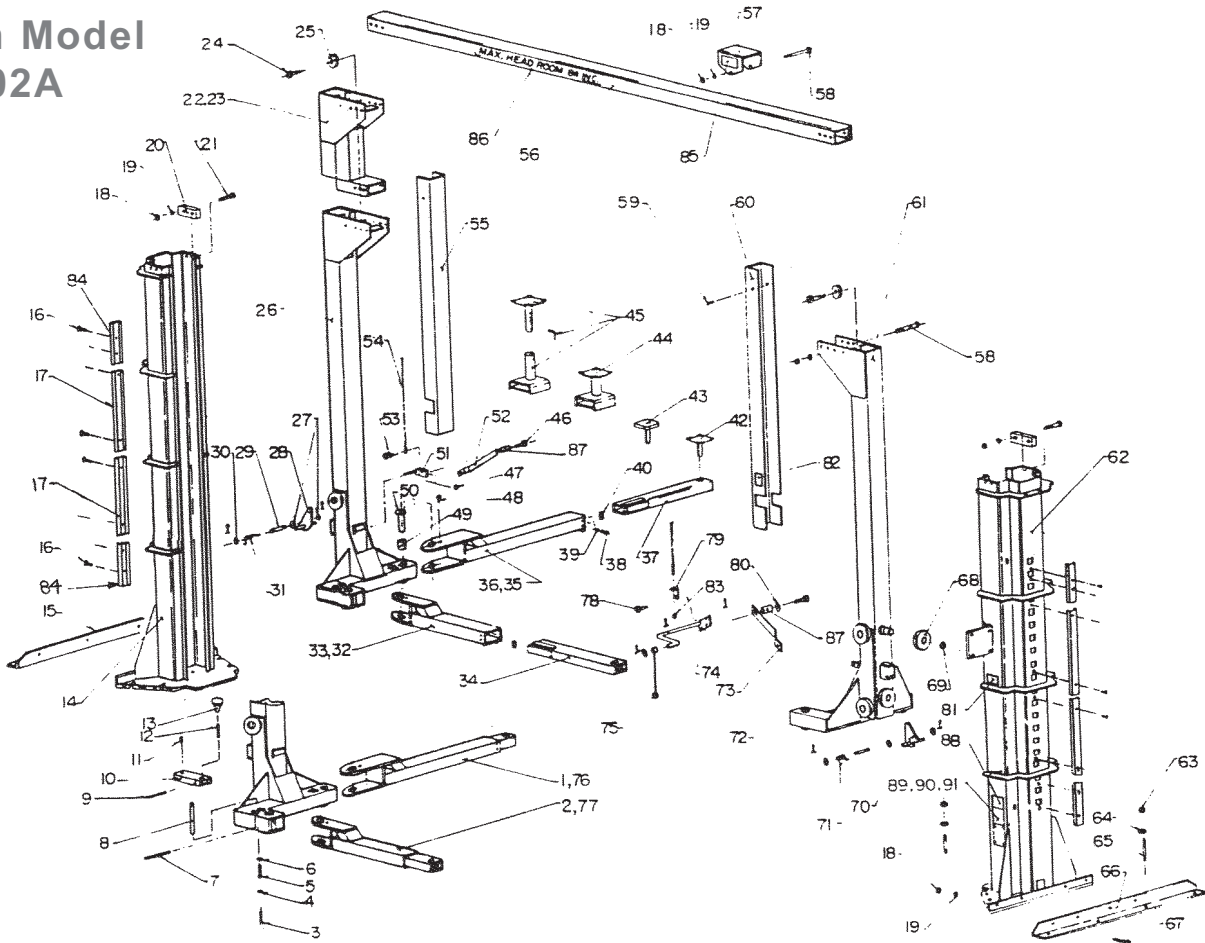
To Order Call: 800-321-8173 or 630-844-5566 / Fax: 800-899-1784 or 630-844-6770

All names, numbers, symbols and descriptions are used for reference purposes only. It is not implied that any part listed is the product of these manufactures, however, some parts may be the actual product of these manufacturers.



lift repair parts for Wheeltronic Ltd. lifts

Snap-on Model  
EELR 302A  
and  
8020,  
8021,  
9021



Item No.	SVI Part Number	Ref. OEM	Qty. Req.	Description
1	BH-7805-09	4-0600	1	Long Locking Arm Assy., RH.
2	BH-7805-10	4-0602	1	Short Locking Arm Assy., RH.
3	call	6-0027	4	Hex HD. Bolt, 1/4"-20 x 1-1/4"
4	call	6-0626	4	Flatwasher, 1/4" x 1-1/4"
5	BH-7791-69	1-0332	4	Plunger Spring
6	call	6-0062	4	Flatwasher, 3/8"
7	BH-7791-70	1-0333	4	Pivot Pin
8	BH-7792-12	1-0745	4	Plunger
9	BH-7798-79	6-0437	4	Roll Pin. 1/8" x 1"
10	BH-7793-87	2-0249	4	Rack
11	call	6-0438	4	Skt. Hd. Set Screw, 1/4"-20 x 1/2"
12	BH-7791-76	1-0387	4	Thrd. Rod, 3/8"-16 x 1-1/2"
13	BH-7791-50	1-0208	4	Knob
14	BH-7799-81	4-0394	1	RH. Tower
15	BH-7796-27	3-0097	1	RH. Tower Support Angle
16	BH-7798-10	6-0335	16	RD. Hd. Screw, 1/4"-20 x 5/8"
17	BH-7795-09	2-1031	4	Tower Safety Cover
18	call	6-0035	23	Hex Nut, 1/2"-13
19	call	6-0059	23	Lockwasher, 1/2"
20	BH-7792-48	1-0877	4	Carriage Stop

Item No.	SVI Part Number	Ref. OEM	Qty. Req.	Description
21	call	6-0769	8	Hex Hd. Bolt, 1/2"-13 x 2"
22	BH-7796-69	3-0310	2	Extension Welding, 24" (Opt.)
23	BH-7796-55	3-0226	2	Extension Welding, 18" Opt.)
24	call	6-0069	2	Shoulder Bolt, 3/8" x 5/8"
25	BH-7791-78	1-0415	2	Safety Cable Pulley
26	BH-7799-37	4-0175	1	Carriage, RH.
27	call	6-0387	4	Thrust Washer, 1/2" x .03"
	call	6-0419	2	Thrust Washer, 1/2" x .06"
28	BH-7794-12	2-0523	1	Safety Dog, RH.
29	BH-7791-57	1-0260	2	Pivot Shaft, LH.
30	call	6-0063	3	Flatwasher, 1/2"
31	BH-7791-55	1-0249	1	Safety Spring, RH.
32	BH-7797-40	3-0607	1	Short Outer Arm Tube, LH.
33	BH-7797-39	3-0606	1	Short Outer Arm Tube, RH.
34	BH-7793-81	2-0192	2	Short In. Locking Arm
35	BH-7797-42	3-0609	1	Long Out. Arm, LH.
36	BH-7797-41	3-0608	1	Long Out. Arm, RH.
37	BH-7793-80	2-0191	2	Long Inner Arm
38	call	6-0339	8	Hex Hd. Bit, 1/4"-28 x 5/8"
39	call	6-0056	8	Lockwasher, 1/4"

To Order Call: 800-321-8173 or 630-844-5566 / Fax: 800-899-1784 or 630-844-6770

All names, numbers, symbols and descriptions are used for reference purposes only. It is not implied that any part listed is the product of these manufactures, however, some parts may be the actual product of these manufacturers.





**lift repair parts for Wheeltronic Ltd. lifts**

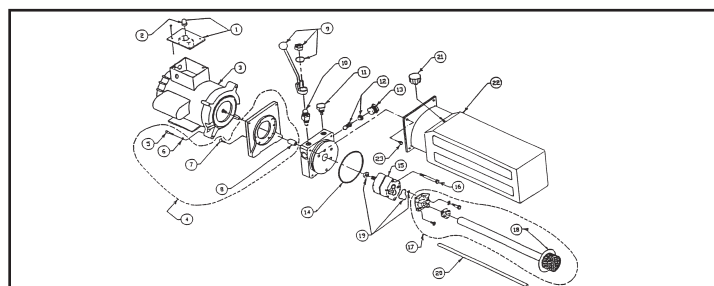
**Snap-on Model EELR 302A, 8020, 8021, and 9021 – cont.**

Item No.	SVI Part Number	Ref. OEM	Qty. Req.	Description
40	BH-7791-60	1-0263	4	Arm Stop, Side
42	BH-7793-94	2-0304	4	Std. Low Lift. Pad (Opt.)
43	BH-7790-45	3-0170	4	Low Lifting Pad, Neoprene
44	BH-7796-48	3-0194	4	Lift Pad
45	BH-7796-50	3-0218	2	Adjust. Truck Pad (Opt.)
46	call	6-0909	2	But. Hd. Hex Sock. Screw, 1/4"-20 x 1-1/2"
47	BH-7798-17	6-0362	2	Retaining Ring
48	call	6-0423	4	Hex Hd. Blt., 5/16" x 3/4"
49	BH-7798-09	6-0551	8	Self-Lub. Bearing
50	BH-7794-06	2-0439	4	Arm Pin
51	BH-7791-68	1-0326	1	Pivot Shaft
52	BH-7796-31	3-0108	1	Safety Linkage Bar, RH.
53	BH-7798-15	6-0244	1	Shoulder Bolt, 1/4" x 3/8"
54	BH-7791-54	1-0239	1	Cable Assembly
	BH-7792-10	1-0736	1	Safety Cable (Ext. 24")
	BH-7792-11	1-0737	1	Safety Cable (Ext. 18")
55	BH-7796-40	3-0126	1	Carriage Cover, RH.
56	BH-7796-25	3-0093	1	Crossmember
57	BH-7796-32	3-0109	1	Motor Lift Bracket
58	call	6-0290	7	Hex Hd. Bolt, 1/2"-13 x 5-1/2"
59	BH-7798-11	6-0297	4	Self-Tap. Screw No. 10 x 3/4"
60	BH-7796-39	3-0125	1	Carriage Cover, LH.
61	BH-7799-36	4-0174	1	Carriage, LH.
62	BH-7799-82	4-0395	1	Tower, LH.
63	call	6-0737	16	Hex Nut, 3/4"-10
64	call	6-0738	16	Flatwasher, 3/4"

Item No.	SVI Part Number	Ref. OEM	Qty. Req.	Description
66	BH-7796-26	3-0096	1	Tower Support Angle, LH.
67	call	6-0047	8	Hex. Hd. Bolt, 1/2"-13 x 3/4"
68	BH-7794-13	2-0530	12	Carriage Wheel Assembly
69	BH-7801-20	6-0233	12	Retaining Ring, 1-3/8"
70	BH-7794-11	2-0522	1	Safety Dog, LH.
71	BH-7791-72	1-0369	1	Safety Spring, LH.
72	BH-7798-53	6-0267	7	Cotter Pin, 1/8" x 1"
73	BH-7796-30	3-0107	1	Safety Linkage Bar, LH.
74	BH-7796-41	3-0137	1	Safety Release Arm
75	BH-7793-93	2-0293	1	Safety Release Handle
76	BH-7805-11	4-0599	1	Long Locking Arm Assy., LH.
77	BH-7805-12	4-0601	1	Short Locking Arm Assy., LH.
78	BH-7798-14	6-0240	1	Shoulder Bolt, 1/4" x 3/4"
79	BH-7805-13	1-0259	1	Cable Connecting Bracket
80	call	6-0060	1	Flatwasher, 1/4" x 3/4"
81	BH-7805-104	6-0398	1	"ALI" Plate
82	BH-7805-98	6-0349	1	"Safety Release" Decal
83	BH-7798-13	6-0032	2	Hex Nut, 1/4"-20
84	BH-7795-10	2-0132	4	Tower Safety Cover
85	BH-7805-105	6-0352	1	"Max Cap. 1000 LB." Decal
86	BH-7805-95	6-0353	1	"Max Head Rm. 84 Inc." Decal
87	BH-7791-67	1-0307	2	Spacer
88	BH-7805-102	6-0996	1	ETL Certification Decal
89	BH-7805-106	6-0997	1	ETL "Caution" Decal
90	BH-7805-107	6-0998	1	ETL 2-Post WL Serial
91	call	6-1100	4	Rivet, 3/16" x 0.086"

**Snap-on Model EELR 302A, 8020, 8021, 9021 Power Pack**

1	BH-7802-93	6-0881	1	Microswitch
2	BH-7803-68	6-1084	1	Microswitch Boot
3	BH-7802-53	6-0773	1	Motor 230 Vac. 1 PH. 60 Hz
4	BH-7805-14	0-0197	1	Motor Adapter Kit
5	call	6-1085	4	Skt. HD. Cap Sck. 1/4"-20 x 5/8"
6	call	6-0056	4	Lockwasher, 1/4 "
7	call	6-1086	4	Allen Hd. Flat Screw, 1/4"-20 x 3/4"
8	BH-7802-54	6-0774	1	Coupling
9	BH-7802-56	6-0776	1	Rel. Bracket & Handle Assy.
10	BH-7802-92	6-0880	1	Valve Cartridge Release
11	BH-7803-69	6-1087	1	Valve Cartridge Check
12	BH-7804-05	6-1319	1	Fixed Relief Valve (RV 19)
13	BH-7803-71	6-1089	1	Relief Valve Cap
14	BH-7802-87	6-0875	1	Reservoir "O" Ring



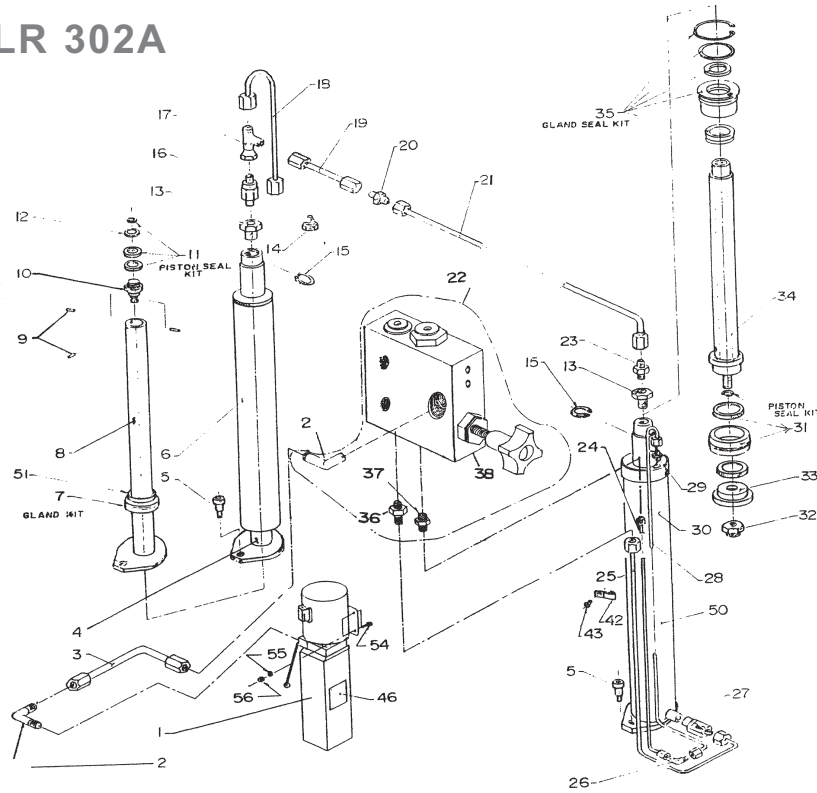
17	BH-7790-76	0-0198	1	Inlet Plumbing Kit
18	BH-7802-64	6-0786	1	Inlet Hose/Filter Assy.
19	BH-7790-77	0-0199	1	Pump "O" Ring Kit
20	BH-7802-61	6-0783	1	Return Tube
21	BH-7804-13	6-1376	1	Breather-Filler Cap (Plastic)
22	BH-7804-17	6-1399	1	Reservoir (Plastic)
23	BH-7803-73	6-1091	4	Reservoir Screw

**To Order Call: 800-321-8173 or 630-844-5566 / Fax: 800-899-1784 or 630-844-6770**

All names, numbers, symbols and descriptions are used for reference purposes only. It is not implied that any part listed is the product of these manufactures, however, some parts may be the actual product of these manufacturers.

## lift repair parts for Wheeltronic Ltd. lifts

### Snap-on Model EELR 302A and 8020, 8021, 9021 Hydraulics



Item No.	SVI Part Number	Ref. OEM	Qty. Req.	Description
1	BH-7805-15	6-1310	1	Power Pack
2	BH-7798-45	6-0804	2	90° SAE M-3/8" JIC M
3	BH-7792-57	1-0942	1	Tube Assy. to Power Pack
4	BH-7799-35	4-0171	1	Hydr. Cylinder Assy.
5	call	6-0425	2	Shoulder Screw, 1/2" x 5/8"
6	BH-7796-76	3-0328	1	Cylinder Barrel
7	BH-7790-65	0-0162	1	P.S. Gland Kit
8	BH-7796-77	3-0329	1	Piston Tube Welding
9	call	6-0580	3	Allen Hd. Set Screw, 1/4" x 3/8"
10	BH-7794-08	2-0511	1	Piston 2" Bore
11	BH-7798-02	0-0159	1	Piston Seal Kit, P.S.
12	BH-7792-07	1-0725	1	Keeper Washer
13	BH-7801-32	6-0285	2	Adpt. 3/8" M. NPT x 3/8" F. NPT
14	BH-7801-39	6-0371	1	Plug, 3/8" JIC
15	BH-7798-49	6-0340	2	Circlip
16	BH-7798-42	6-0345	1	Adapter, 3/8" JIC, M x 3/8" NPT. M-2-1/4"
17	BH-7798-75	6-0284	1	Tee 3/8" JIC. F. Swivel 3/8" JIC, M, 3/8" JIC M
18	BH-7791-17	1-0093	1	Tube Assembly
19	BH-7796-34	3-0112	1	Cross Tube Extension
20	BH-7801-22	6-0268	1	Union 3/8" JIC, M x 3/8" JIC, M
21	BH-7796-35	3-0113	1	Cross Tube

Item No.	SVI Part Number	Ref. OEM	Qty. Req.	Description
22	BH-7790-99	6-1389	1	Hydr. Valve Blk. Assy. (C/W Fittings)
23	BH-7800-59	6-0011	1	Adpt., 3/8" NPT. M x 3/8" JIC, M
24	BH-7796-33	3-0110	1	Hydr. Tube Assy.
25	BH-7796-36	3-0114	1	Hydr. Tube Assy.
26	BH-7801-28	6-0278	1	90° 1/4" JIC, M x 1/4" JIC, M
27	BH-7794-63	2-0767	1	Velocity Fuse
28	BH-7796-56	3-0229	1	Hydr. Tube Assy.
29	BH-7801-306-0280		1	Adpt. 1/8" NPT, M x 1/4" JIC M
30	BH-7796-79	3-0335	1	Cylinder Barrel Welding
31	BH-7790-09	0-0160	1	Piston Seal Kit, LH.
32	call	6-0586	1	Nylon Insert Locknut, 7/8"-9
33	BH-7794-10	2-0521	1	Piston Spigot
34	BH-7796-78	3-0334	1	Piston Rod
35	BH-7790-08	0-0161	1	Gland Seal Kit, LH.
36	BH-7798-52	6-0276	1	Adpt., 1/4" NPT M - 3/8" JIC, M
37	BH-7798-51	6-0281	1	Adpt., 1/4" NPT M - 1/4" JIC, M
38	BH-7798-47	6-1362	1	Hydr. Valve Block
50	BH-7790-46	4-0173	1	Double Action Hydr. Cyl. Assy.
51	BH-7792-09	1-0734	1	Felt Strip
52	BH-7805-101	6-0593	1	"Lift Operation" Decal
53	BH-7805-100	6-0594	1	"Safety Instruction" Decal
54	call	6-0293	4	Hex Hd. Screw, 5/16"-18 x 1"
55	call	6-0674	4	Lockwasher, 5/16"

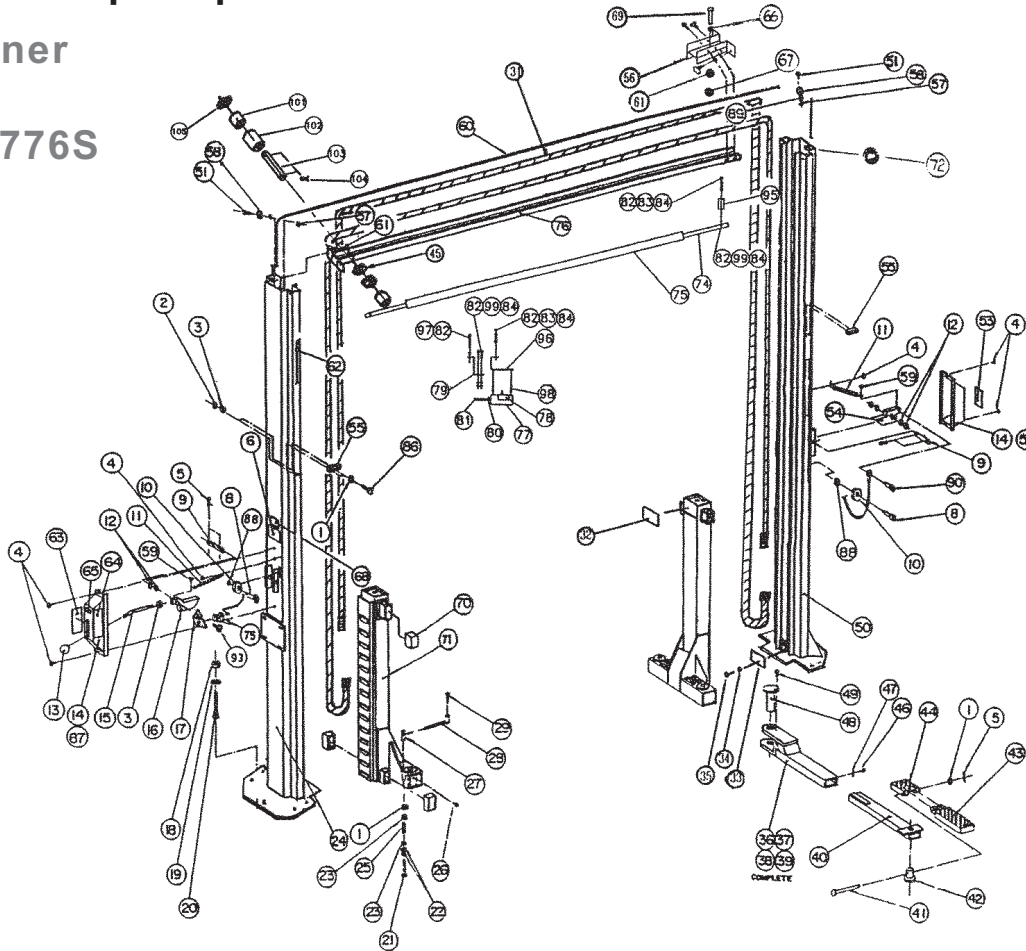
To Order Call: 800-321-8173 or 630-844-5566 / Fax: 800-899-1784 or 630-844-6770

All names, numbers, symbols and descriptions are used for reference purposes only. It is not implied that any part listed is the product of these manufactures, however, some parts may be the actual product of these manufacturers.



lift repair parts for Wheeltronic Ltd. lifts

J.H. Heafner  
Magnum  
Model 81776S



Item No.	SVI Part Number	Ref. OEM	Qty. Req.	Description
1	BH-7798-25	6-0248	16	Flatwasher, 1/2"
2	call	6-0059	8	Lockwasher, 1/2"
3	call	6-0035	9	Hex Nut, 1/2"-13
4	call	6-1134	6	Self-Tap. Screw, #12 x 1/2"
5	BH-7798-53	6-0267	8	Cotter Pin, 1/8" x 1"
6	BH-7805-102	6-0996	1	ALI Decal
8	BH-7791-09	6-0206	2	Shoulder Bolt, 3/8" x 1"
9	BH-7792-53	1-0938	2	Safety Pin
10	BH-7791-78	1-0415	2	Safety Pulley
11	BH-7792-84	1-1115	2	Safety Spring
12	call	6-0808	8	Flatwasher, 51/64" x 1" x 1/16" Thk.
13	BH-7798-26	6-1135	1	Plastic Knob
14	BH-7796-99	3-0439	2	Safety Cover
15	BH-7792-83	1-1113	1	Safety Release Handle
16	BH-7794-88	2-0902	1	Safety Dog, LH.
17	BH-7792-95	1-1291	1	Cable Con. Bracket
18	call	6-0737	10	Hex Nut, 3/4"-10
19	call	6-0738	10	Flatwasher, 3/4"
20	BH-7798-77	6-1379	10	Wedge Anchor, 3/4"- 10 x 5-1/2"
21	BH-7792-81	1-1097	4	3/8"-16 x 6" Lg. Thrd. Plunger

Item No.	SVI Part Number	Ref. OEM	Qty. Req.	Description
22	call	6-0034	8	Hex Nut, 3/8"-16
23	call	6-0062	8	Flatwasher, 3/8"
24	BH-7805-16	4-0512	1	LH. Tower
25	BH-7790-48	1-1546	4	Plunger Spring
26	BH-7800-51	6-0000	4	Grease Fitting
27	BH-7792-79	1-1095	4	Plunger
28	BH-7790-48	1-1546	4	Rod
29	BH-7791-75	1-0382	4	Shoulder Bolt, 1/2" x 1"
31	BH-7793-11	1-1473	2	Equalizing Cable
32	BH-7793-12	1-1534	2	Carriage Cover
33	BH-7805-17	1-1458	2	Cover Plate
34	call	6-0626	2	Fender Washer, 1/4" x 1"
35	call	6-0126	2	1/4" 20 NC x 1/2" Deep Bolt
36	BH-7805-18	3-0623	2	Outer Arm Tube, R.R., L.F.
37	BH-7805-19	3-0622	2	Outer Arm Tube, L.R., R.F.
38	BH-7805-20	4-0528	2	Locking Arm Assy., R.R., L.F.
39	BH-7805-21	4-0527	2	Locking Arm Assy., L.R., R.F.
40	BH-7805-22	2-1177	4	Inner Arm
41	BH-7792-82	1-1099	4	Center Pin
42	BH-7792-77	1-1091	4	Adapter Pin
43	BH-7797-37	3-0582	4	High Step Position Adpt.

To Order Call: 800-321-8173 or 630-844-5566 / Fax: 800-899-1784 or 630-844-6770

All names, numbers, symbols and descriptions are used for reference purposes only. It is not implied that any part listed is the product of these manufactures, however, some parts may be the actual product of these manufacturers.



lift repair parts for Wheeltronic Ltd. lifts

J.H. Heafner, Magnum Model 81776S — cont.

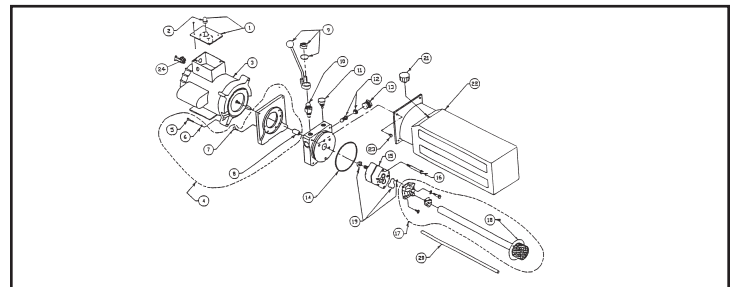
Item No.	SVI Part Number	Ref. OEM	Qty. Req.	Description
44	BH-7797-38	3-0583	4	Low Position Adapter
45	BH-7805-23	1-1451	6	2-Post Pulley
46	call	6-1512	4	Hex Bolt, 3/8" x 5/8"
47	call	6-0058	8	Lockwasher, 3/8"
48	BH-7794-06	2-0439	4	Arm Pin
49	call	6-0423	4	Hex Bolt, 5/16"- 18 x 3/4"
50	BH-7805-24	4-0511	1	RH. Tower
51	call	6-0069	2	Shoulder Blt., 3/8" x 5/8"
52	BH-7790-78	0-0203	1	Safety Cover w/Decal, RH.
53	BH-7805-100	6-0594	1	"Safety Instructions" Decal
54	BH-7794-79	2-0872	1	RH. Safety Dog
55	BH-7792-86	1-1119	4	Carriage Stop
56	BH-7805-25	2-1197	2	Crossmember Bracket
57	call	6-0294	2	Hex Nut, 5/16"-18
58	BH-7792-85	1-1116	2	Safety Cable Pulley
59	call	6-0169	2	Self-Tap. Screw, #10 x 3/8"
60	BH-7798-04	1-1551	1	Safety Rel. Cable, 293 1/2"
61	call	6-0625	18	3/8" Flatwasher
62	BH-7798-74	6-1230	3	3/8" Clip
63	BH-7805-96	6-0595	1	"Warning" Decal
64	BH-7805-97	6-0592	1	"Caution" Decal
65	BH-7805-98	6-0603	1	"Safety Release" Decal
66	call	6-0058	18	3/8" Lockwasher
67	call	6-0054	18	3/8" 16 Nut
68	BH-7805-108	6-1120	1	Serial # Tag
69	call	6-0067	17	Hex Head Bolt, 3/8" 16 x 1"
70	BH-7790-19	2-0772	8	Glide Bearing

Item No.	SVI Part Number	Ref. OEM	Qty. Req.	Description
74	BH-7793-01	1-1380	1	Actuator Bar
75	BH-7798-36	6-1404	1	Foam Guard
76	BH-7805-27	2-1258	1	Crossmember
77	BH-7798-37	6-1403	1	Electrical Utility Box
78	BH-7798-38	6-0916	1	Microswitch
79	BH-7792-99	1-1379	1	Actuator Extension
80	BH-7798-39	6-1133	1	Cable Connector
81	BH-7798-40	6-1173	1	Eq. Cable, 16/3 x 117"
82	BH-7798-13	6-0032	7	Hex Hd. Nut 1/4" NC
83	call	6-0178	3	Hex Hd. Bolt, 1/4" NC x 3/4"
84	call	6-0056	6	Lockwasher, 1/4"
86	call	6-0315	8	Hex Bolt, 1/2"-13 x 2-1/4"
87	BH-7790-79	0-0204	1	Safety Cover w/Decals, LH.
88	BH-7798-12	6-0295	2	Flatwasher, 5/16"
89	call	6-0296	2	Lockwasher, 5/16"
90	call	6-0908	1	Shoulder Bolt, 3/8" x 1-1/4"
93	call	6-0185	1	Shoulder Bolt, 5/16" x 1/4"
95	BH-7792-98	1-1378	1	Actuator Mtg. Bracket
96	BH-7795-32	2-1143	1	Limit Switch Mtg. Bracket
97	call	6-0177	1	Hex Hd. Bolt, 1/4" NC x 2"
98	call	6-1466	2	6/32 Screw (Electrical Box)
99	call	6-0027	3	Hex Hd. Bolt, 1/4" NC x 1-1/4"
100	call	6-0030	1	Hex Hd. Bolt, 3/8"- 16 x 3/4"
101	BH-7793-13	1-1623	4	1/2" Lg. Crossmember Pulley Pipe
102	BH-7805-28	1-1624	2	2" Lg. Crossmember Pulley Pipe
103	BH-7795-40	2-1251	2	Crossmember Pulley Shaft
104	BH-7798-53	6-0267	4	Cotter Pin, 1/8" x 1"

J.H. Heafner, Magnum Model 81776S

Power Pack

1	BH-7802-93	6-0881	1	Microswitch
2	BH-7803-68	6-1084	1	Microswitch Boot
3	BH-7802-53	6-0773	1	Motor 230 Vac. 1 PH. 60 Hz
4	BH-7805-14	0-0197	1	Motor Adpt. Kit
5	call	6-1085	4	Skt. HD. Cap Scw. 1/4"-20 x 5/8"
6	call	6-0056	4	Lockwasher, 1/4"
7	call	6-1086	4	Allen Hd. Flat Scw. 1/4" x 3/4"
8	BH-7802-54	6-0774	1	Coupling
9	BH-7802-56	6-0776	1	Rel. Bracket & Handle Assy.
10	BH-7802-92	6-0880	1	Valve Cartridge Release
11	BH-7803-69	6-1087	1	Valve Cartridge Check
12	BH-7804-05	6-1319	1	Fixed Relief Valve (RV 19)
13	BH-7803-71	6-1089	1	Relief Valve Cap
14	BH-7802-87	6-0875	1	Reservoir "O" Ring
15	BH-7802-60	6-0782	1	Pump Assy.
16	BH-7803-72	6-1090	2	Pump Mounting Bolt



18	BH-7802-64	6-0786	1	Inlet Hose/Filter Assy.
19	BH-7790-77	0-0199	1	Pump "O" Ring Kit
20	BH-7802-61	6-0783	1	Return Tube
21	BH-7804-13	6-1376	1	Breather-Filler Cap (Plastic)
22	BH-7804-17	6-1399	1	Reservoir (Plastic)
23	BH-7803-73	6-1091	4	Reservoir Screw
24	BH-7803-76	6-1133	1	Cable Connector, 90°, 3/8"

To Order Call: 800-321-8173 or 630-844-5566 / Fax: 800-899-1784 or 630-844-6770

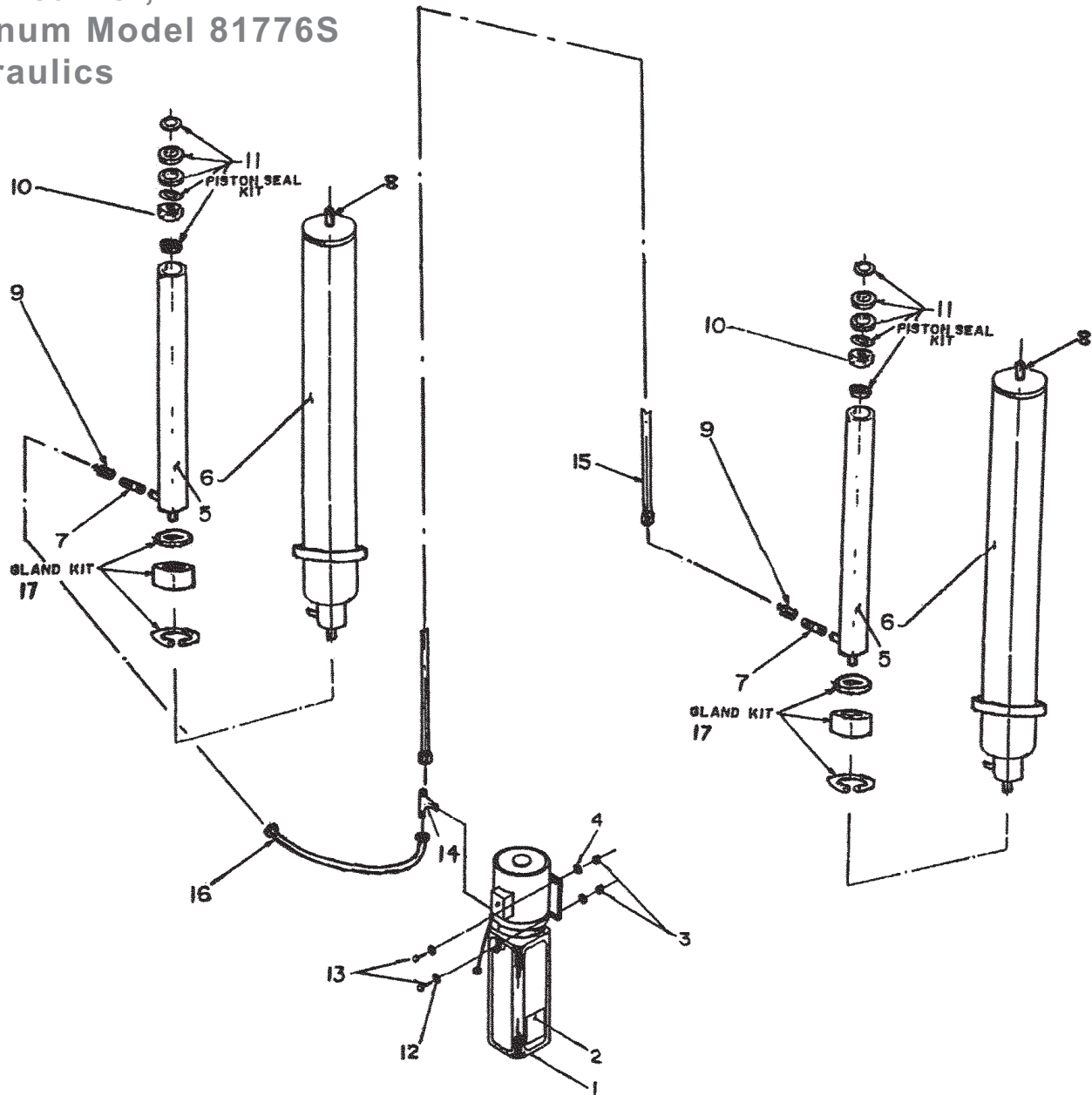
All names, numbers, symbols and descriptions are used for reference purposes only. It is not implied that any part listed is the product of these manufactures, however, some parts may be the actual product of these manufacturers.





lift repair parts for Wheeltronic Ltd. lifts

J.H. Heafner,  
Magnum Model 81776S  
Hydraulics



Item No.	SVI Part Number	Ref. OEM	Qty. Req.	Description
1	BH-7805-15	6-1310	1	Power Pack
2	BH-7805-101	6-1265	1	"Lift Operation" Decal
3	call	6-0294	4	Hex Nut, 5/16"-18
4	call	6-0674	4	Lockwasher, 5/16"
5	BH-7793-10	1-1469	2	Piston Rod, 1-1/4" x 1/4" x 72-11/16"
6	BH-7793-08	1-1465	2	Cylinder Tube Machined
7	BH-7805-29	6-1509	2	Male Nipple, 1/4" NPT
8	call	6-1511	2	1/8" NPT Sq. Head Plug

Item No.	SVI Part Number	Ref. OEM	Qty. Req.	Description
9	BH-7804-30	6-1510	2	Flow Control
10	BH-7793-09	1-1467	2	Piston
11	BH-7790-84	0-0337	2	Piston Seal Kit
12	call	6-0061	4	Flatwasher, 5/16"
13	call	6-0293	4	Hex Bolt, 5/16"-18 x 1"
14	BH-7804-28	6-1506	1	Branch Tee
15	BH-7805-30	2-1231	1	Hydraulic Hose (Long)
16	BH-7795-39	2-1230	1	Hydraulic Hose (Short)
17	BH-7790-85	0-0338	2	Gland Kit

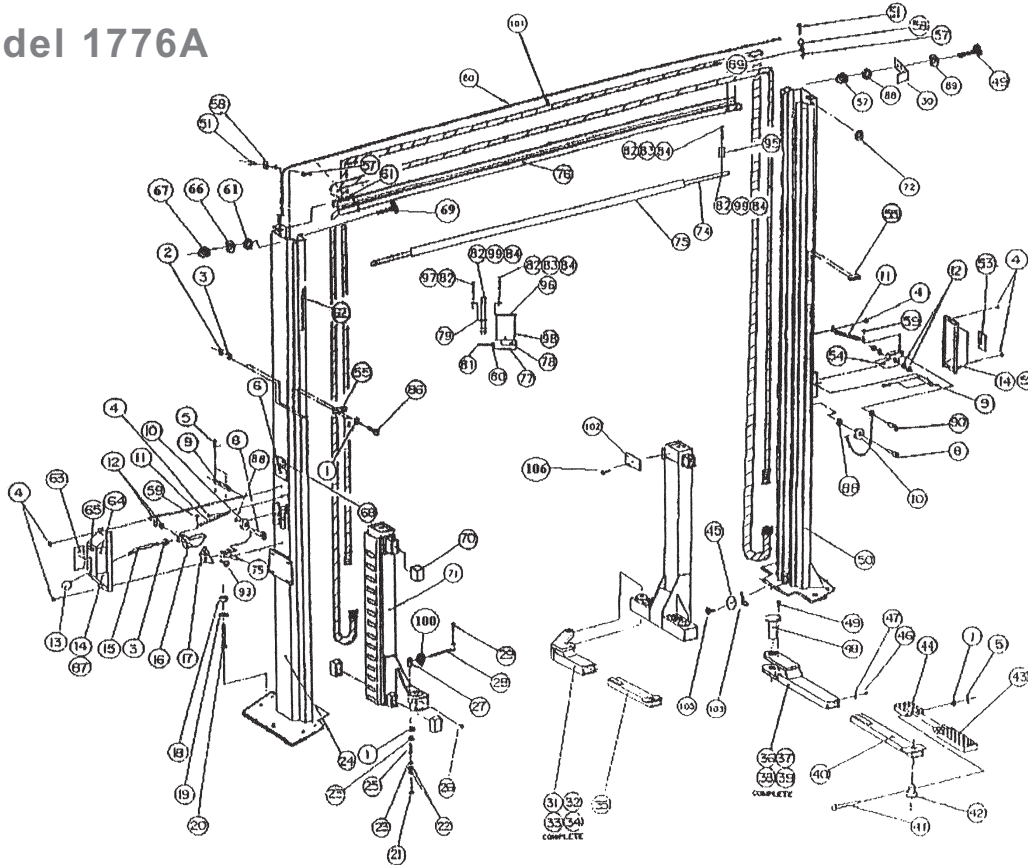
To Order Call: 800-321-8173 or 630-844-5566 / Fax: 800-899-1784 or 630-844-6770

All names, numbers, symbols and descriptions are used for reference purposes only. It is not implied that any part listed is the product of these manufactures, however, some parts may be the actual product of these manufacturers.



lift repair parts for Wheeltronic Ltd. lifts

Patriot Model 1776A



Item No.	SVI Part Number	Ref. OEM	Qty. Req.	Description
1	BH-7798-25	6-0248	16	Flatwasher, 1/2"
2	call	6-0059	8	Lockwasher, 1/2"
3	call	6-0035	13	Hex Nut, 1/2"-13
4	call	6-1134	6	Self Tap. Screw, #12 x 1/2"
5	BH-7798-53	6-0267	8	Cotter Pin, 1/8" x 1"
6	BH-7805-102	6-0996	1	ALI Decal
8	BH-7791-09	6-0206	2	Shoulder Bolt, 3/8" x 1"
9	BH-7792-53	1-0938	2	Safety Pin
10	BH-7791-78	1-0415	2	Safety Pulley
11	BH-7792-84	1-1115	2	Safety Spring
12	call	6-0808	8	Flatwasher, 51/64" x 1" x 1/16" Thk.
13	BH-7798-26	6-1135	1	Plastic Knob
14	BH-7796-99	3-0439	2	Safety Cover
15	BH-7792-83	1-1113	1	Safety Release Handle
16	BH-7794-88	2-0902	1	Safety Dog, LH.
17	BH-7792-95	1-1291	1	Cable Connecting Bracket
18	call	6-0737	10	Hex Nut, 3/4"-10
19	call	6-0738	10	Flatwasher, 3/4"
20	BH-7798-77	6-1379	10	Wedge Anchor, 3/4" x 5-1/2"
21	call	6-1262	4	3/8" x 6" Lg. Thrd. Plunger Bolt
22	BH-7790-98	6-0042	4	Nylon Locknut, 3/8"-16
23	call	6-0062	8	Flatwasher, 3/8"
24	BH-7805-31	4-0663	1	Tower, Power Side

Item No.	SVI Part Number	Ref. OEM	Qty. Req.	Description
25	BH-7792-80	1-1096	4	Plunger Spring
26	BH-7800-51	6-0000	4	Grease Fitting
27	BH-7792-79	1-1095	4	Plunger
28	BH-7790-48	1-1546	4	Rod Weldment
29	call	6-0054	4	Shoulder Bolt, 1/2" x 1"
30	BH-7795-90	2-1477	2	Angle Bracket
31	BH-7805-32	3-0653	1	Outer Arm Tube, RH.
32	BH-7805-33	3-0654	1	Outer Arm Tube, LH.
33	BH-7805-34	4-0597	1	Short Lock. Arm Assy., RH.
34	BH-7805-35	4-0598	1	Short Lock. Arm Assy., LH.
35	BH-7795-24	2-1088	2	Short Inner Arm
36	BH-7805-36	3-0563	1	Outer Arm Tube, RH.
37	BH-7805-37	3-0564	1	Outer Arm Tube, LH.
38	BH-7805-38	4-0439	1	Long Lock. Arm Assy., RH.
39	BH-7805-39	4-0440	1	Long Lock. Arm Assy., LH.
40	BH-7795-23	2-1086	2	Long Inner Arm
41	BH-7792-82	1-1099	4	Center Pin
42	BH-7792-77	1-1091	4	Adapter Pin
43	BH-7797-37	3-0582	4	High Step Position Adpt.
44	BH-7797-38	3-0583	4	Low Position Adpt.
45	BH-7793-42	1-1898	2	2-Post Pulley
46	call	6-1512	4	Hex Bolt, 3/8" x 5/8"

To Order Call: 800-321-8173 or 630-844-5566 / Fax: 800-899-1784 or 630-844-6770

All names, numbers, symbols and descriptions are used for reference purposes only. It is not implied that any part listed is the product of these manufactures, however, some parts may be the actual product of these manufacturers.



## lift repair parts for Wheeltronic Ltd. lifts

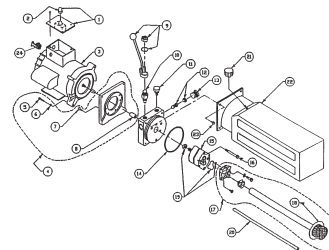
### Patriot Model 1776A – cont.

Item No.	SVI Part Number	Ref. OEM	Qty. Req.	Description	Item No.	SVI Part Number	Ref. OEM	Qty. Req.	Description
47	call	6-0058	8	3/8" Lockwasher	76	BH-7805-41	3-0695	1	Crossmember Assy.
48	BH-7794-06	2-0439	4	Arm Pin	77	BH-7798-37	6-1403	1	Electrical Utility Box
49	call	6-0423	8	Hex Bolt, 5/16"-18 x 3/4"	78	BH-7798-38	6-0916	1	Microswitch
50	BH-7805-40	4-0664	1	Tower, Slave Side	79	BH-7792-99	1-1379	1	Actuator Extension
51	call	6-0069	2	Shoulder Bolt, 3/8" x 5/8"	80	BH-7798-39	6-1133	1	Cable Connector
52	BH-7790-78	0-0203	1	Safety Cover w/Decals, RH.	81	BH-7798-40	6-1173	1	Eq. Cable 12/3 x 117"
53	BH-7805-100	6-0594	1	"Safety Instructions" Decal	82	BH-7798-13	6-0032	7	Hex Hd. Nut, 1/4" NC
54	BH-7794-79	2-0872	1	Safety Dog, RH.	83	call	6-0178	3	Hex Hd. Bolt, 1/4" NC x 3/4"
55	BH-7792-86	1-1119	4	Carriage Stop	84	call	6-0056	6	Lockwasher, 1/4"
57	call	6-0294	6	Hex Nut, 5/16"-18	86	call	6-0315	8	Hex Bolt, 1/2"-13 x 2-1/4"
58	BH-7792-85	1-1116	2	Safety Cable Pulley	87	BH-7790-79	0-0204	1	Safety Cover w/Decals, LH.
59	call	6-0169	2	Self-Tap. Screw, #10 x 3/8"	88	BH-7798-12	6-0295	6	Flatwasher, 5/16"
60	BH-7790-44	1-1305	1	Safety Rel. Cable, 285 1/2"	89	call	6-0296	6	Lockwasher, 5/16"
61	call	6-0625	8	3/8" Flatwasher	90	BH-7790-31	6-0801	1	Shoulder Bolt, 3/8" x 1-1/2"
62	BH-7798-74	6-1230	3	5/8" Clip	93	call	6-1752	1	Shoulder Bolt, 5/16" x 1/4"
63	BH-7805-96	6-0595	1	"Warning" Decal	95	BH-7792-98	1-1378	1	Actuator Mtg. Bracket
64	BH-7805-97	6-0592	1	"Caution" Decal	96	BH-7795-32	2-1143	1	Limit Switch Mtg. Bracket
65	BH-7805-98	6-0603	1	"Safety Release" Decal	97	call	6-0741	1	Hex Hd. Bolt, 1/4" x 2"
66	call	6-0058	8	3/8" Lockwasher	98	call	6-1466	2	6/32" Screw (Electric Box)
67	call	6-0034	8	3/8" 16 Nut	99	call	6-0027	2	Hex Hd. Bolt, 1/4" NC x 1-1/4"
68	BH-7805-108	6-1120	1	Serial # Tag	100	call	6-1533	2	1/2" Locknut
69	call	6-0067	8	Hex Hd. Bolt, 3/8" 16 x 1"	101	BH-7793-33	1-1786	2	Eq. Cable
70	BH-7790-19	2-0772	8	Glide Bearing	102	BH-7793-12	1-1534	2	Carriage Cover
71	BH-7805-26	4-0524	2	Carriage Weldment	103	BH-7805-42	6-1841	2	Hitch Pin, 1/8"
72	BH-7804-29	6-1507	3	Rubber Grommet	105	BH-7793-41	1-1887	2	Pin, Eq. Cable
74	BH-7793-01	1-1380	1	Actuator Bar	106	BH-7798-11	6-0297	2	Self-Tap. Screw, #10 x 3/4"
75	BH-7798-36	6-1404	1	Foam Guard					

### Patriot Model 1776A

#### Power Pack

1	BH-7802-93	6-0881	1	Microswitch					
2	BH-7803-68	6-1084	1	Microswitch Boot					
3	BH-7802-53	6-0773	1	Motor 230 Vac. 1 PH. 60 Hz					
4	BH-7805-14	0-0197	1	Motor Adpt. Kit					
5	call	6-1085	4	Socket HD. Cap Sow. 1/4" x 5/8"					
6	call	6-0056	4	Lockwasher, 1/4"					
7	call	6-1086	4	Allen Hd. Flat Sow. 1/4"-20 x 3/4"					
8	BH-7802-54	6-0774	1	Coupling					
9	BH-7802-56	6-0776	1	Rel. Bracket & Handle Assy.					
10	BH-7802-92	6-0880	1	Valve Cartridge Release					
11	BH-7803-69	6-1087	1	Valve Cartridge Check					
12	BH-7804-05	6-1319	1	Fixed Relief Valve (RV 19)					
13	BH-7803-71	6-1089	1	Relief Valve Cap					
14	BH-7802-87	6-0875	1	Reservoir "O" Ring					
18	BH-7802-64	6-0786	1	Inlet Hose/Filter Assembly					
19	BH-7790-77	0-0199	1	Pump "O" Ring Kit					
20	BH-7802-61	6-0783	1	Return Tube					
21	BH-7804-13	6-1376	1	Breather-Filler Cap (Plastic)					
22	BH-7804-17	6-1399	1	Reservoir (Plastic)					
23	BH-7803-73	6-1091	4	Reservoir Screw					
24	BH-7803-76	6-1133	1	Cable Connector, 90°, 3/8"					

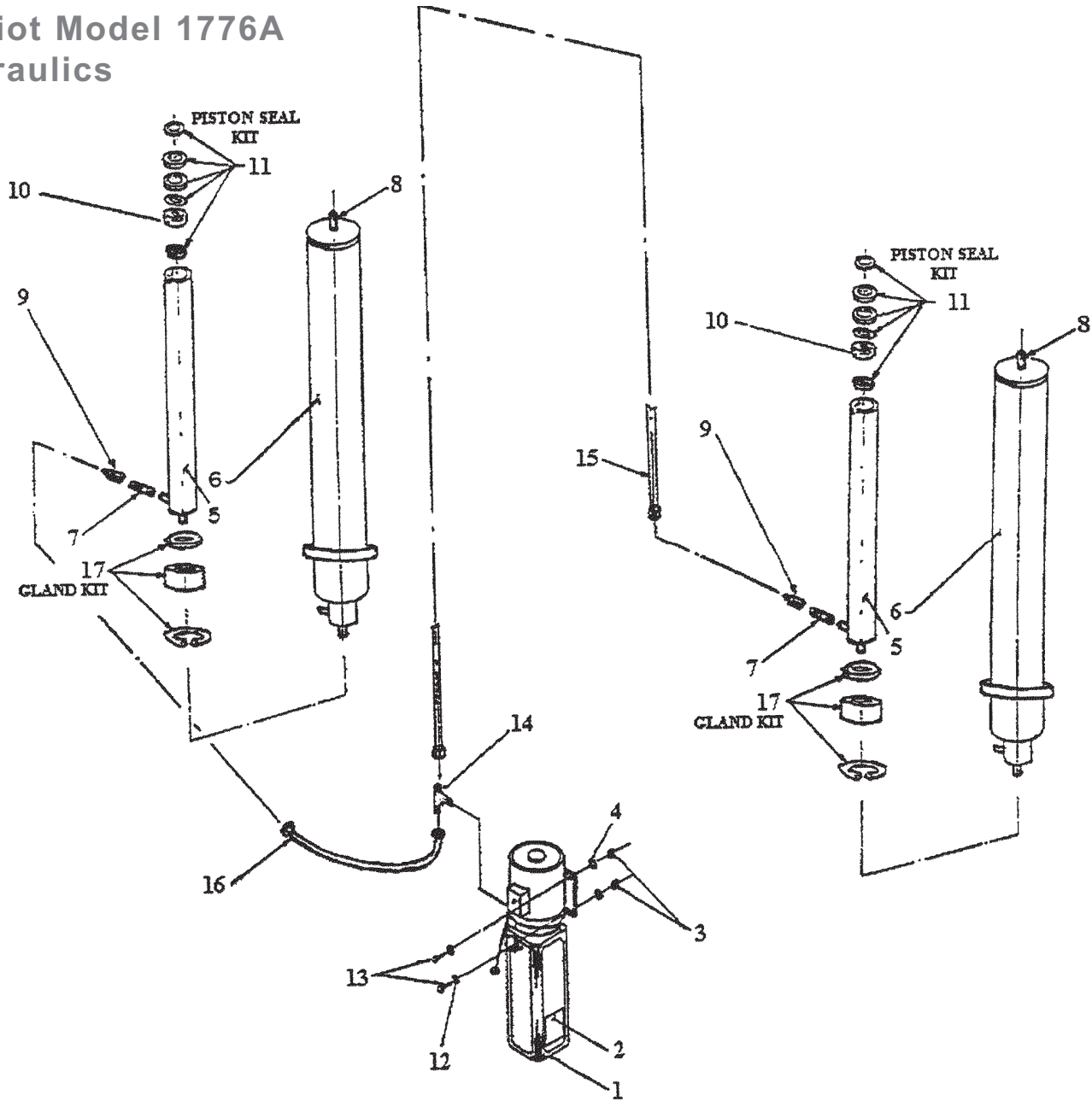


**To Order Call: 800-321-8173 or 630-844-5566 / Fax: 800-899-1784 or 630-844-6770**

All names, numbers, symbols and descriptions are used for reference purposes only. It is not implied that any part listed is the product of these manufactures, however, some parts may be the actual product of these manufacturers.

lift repair parts for Wheeltronic Ltd. lifts

Patriot Model 1776A  
Hydraulics



Item No.	SVI Part Number	Ref. OEM	Qty. Req.	Description
1	BH-7805-43	6-1957	1	Power Pack
2	BH-7805-101	6-1265	1	"Lift Operation" Decal
3	call	6-0294	4	Hex Nut, 5/16"-18
4	call	6-0674	4	Lockwasher, 5/16"
5	BH-7793-10	1-1469	2	Piston Rod, 1-1/4" x 1/4" x 72-11/16"
6	BH-7793-08	1-1465	2	Cylinder Tube Machined
7	BH-7805-29	6-1509	2	Male Nipple, 1/4" NPT
8	call	6-1658	2	1/8" NPT Sq. Head Plug

Item No.	SVI Part Number	Ref. OEM	Qty. Req.	Description
9	BH-7804-30	6-1510	2	Flow Control
10	BH-7793-09	1-1467	2	Piston
11	BH-7790-84	0-0337	2	Piston Seal Kit
12	BH-7798-12	6-0295	4	Flatwasher, 5/16"
13	call	6-0293	4	Hex Bolt, 5/16"- 18 x 1"
14	BH-7804-28	6-1506	1	Branch Tree
15	BH-7795-91	2-1486	1	Hydraulic Hose (Long)
16	BH-7795-39	2-1230	1	Hydraulic Hose (Short)
17	BH-7790-85	0-0338	2	Gland Kit

To Order Call: 800-321-8173 or 630-844-5566 / Fax: 800-899-1784 or 630-844-6770

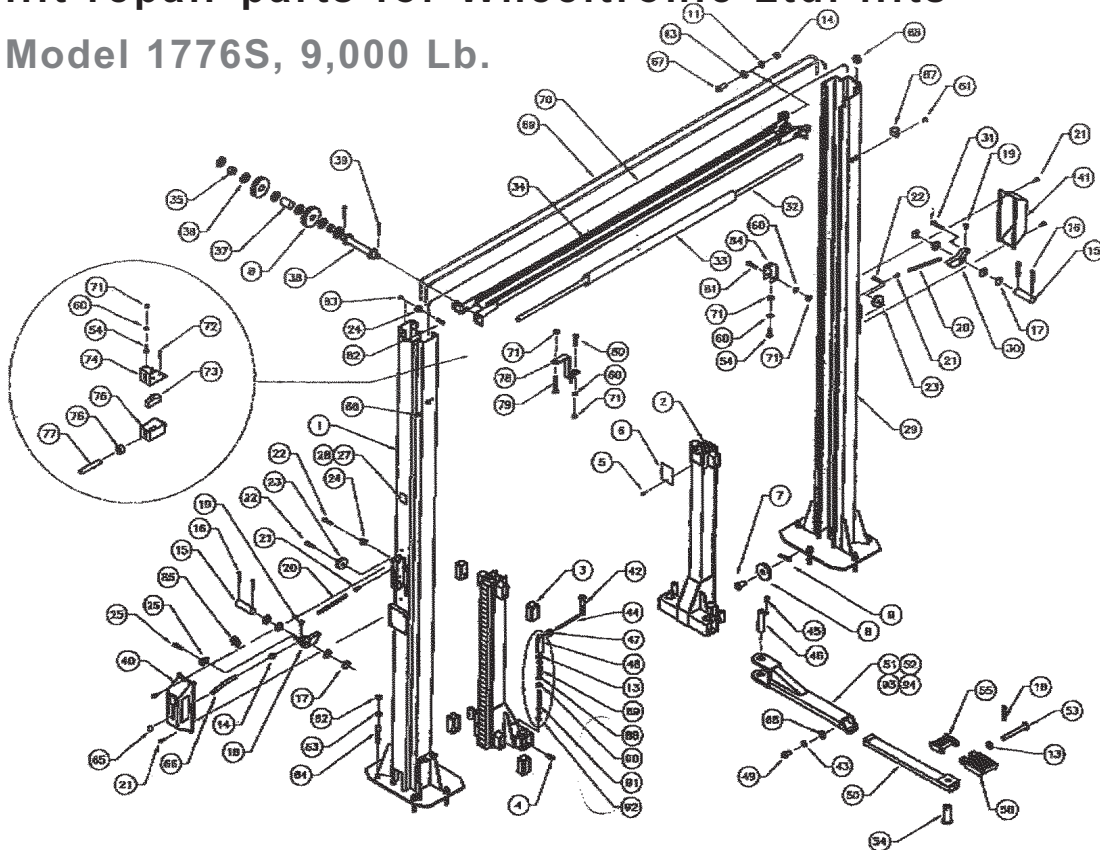
All names, numbers, symbols and descriptions are used for reference purposes only. It is not implied that any part listed is the product of these manufactures, however, some parts may be the actual product of these manufacturers.





lift repair parts for Wheeltronic Ltd. lifts

Patriot, Model 1776S, 9,000 Lb.



Item No.	SVI Part Number	Ref. OEM	Qty. Req.	Description
1	BH-7800-45	4-0767	1	Tower, Power Side
2	BH-7800-47	4-0778	2	Carriage
3	BH-7790-19	2-0772	8	Glide Bearing
4	BH-7800-51	6-0000	4	Grease Nipple
5	call	6-1134	2	Self Tap. Screw, #12 x 1/2"
6	BH-7793-12	1-1534	2	Carriage Cover
7	BH-7793-41	1-1887	2	Pin, Cable Equalization
8	BH-7793-42	1-1898	6	2-Post Pulley
9	BH-7805-42	6-1841	2	Hitch Pin, 1/8"
11	call	6-0059	8	Lockwasher, 1/2"
13	BH-7798-25	6-0248	16	Flatwasher, 1/2"
14	call	6-0035	13	Hex Nut, 1/2"-13
15	BH-7792-53	1-0938	2	Safety Pin
16	BH-7798-53	6-0267	8	Cotter Pin, 1/8" x 1"
17	call	6-0808	8	Flatwasher, 51/64" x 1" x 1/16"
18	BH-7794-88	2-0902	1	Safety Dog, Power Side
19	call	6-0169	4	Self Tap. Screw, #10 x 3/8"
20	BH-7792-84	1-1115	2	Safety Spring
21	call	6-1134	6	Self Tap. Screw, #12 x 1/2"
22	BH-7791-09	6-0206	3	Shoulder Bolt, 3/8" x 1"
23	BH-7791-78	1-0415	2	Safety Pulley
24	BH-7792-85	1-1116	3	Safety Cable Pulley
25	call	6-1883	1	Shoulder Bolt, 5/16" x 1/2"
26	BH-7805-72	6-2056	1	Thimble, 1/16" Cable

Item No.	SVI Part Number	Ref. OEM	Qty. Req.	Description
27	BH-7805-109	6-1767	1	"Capacity" Decal
28	BH-7805-110	6-1111	1	Serial Plate
29	BH-7800-46	4-0768	1	Tower, Slave Side
30	BH-7794-79	2-0872	1	Safety Dog, Slave Side
31	BH-7790-31	6-0801	1	Shoulder Bolt, 3/8" x 1-1/2"
32	BH-7793-06	1-1439	1	Actuator Bar
33	BH-7798-36	6-1404	1	Foam Guard
34	BH-7795-52	2-1281	1	Crossmember
35	BH-7793-13	1-1623	4	Crossmember, Pulley Pipe, 1/2"
36	call	6-0738	16	Flatwasher, 3/4"
37	BH-7793-14	1-1626	2	Crossmember Pulley Pipe, 1-3/4"
38	BH-7795-40	2-1251	2	Crossmember Pulley Shaft
39	BH-7805-73	6-0978	4	Cotter Pin, 1/8" x 1-1/2"
40	BH-7790-79	0-0204	1	Safety Cover C/W Decals, Power Side
41	BH-7790-78	0-0203	1	Safety Cover C/W Decals, Slave Side
42	call	6-2103	4	Shoulder Bolt, 1/2" 1-1/4" (3/8" NC Thrd.)
43	call	6-0058	4	Lockwasher, 3/8"

To Order Call: 800-321-8173 or 630-844-5566 / Fax: 800-899-1784 or 630-844-6770

All names, numbers, symbols and descriptions are used for reference purposes only. It is not implied that any part listed is the product of these manufactures, however, some parts may be the actual product of these manufacturers.

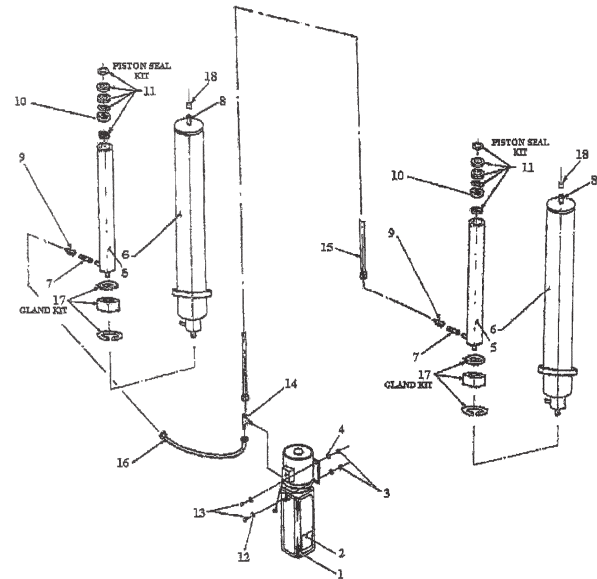
## lift repair parts for Wheeltronic Ltd. lifts

### Patriot, Model 1776S, 9,000 Lb. -cont.

Item No.	SVI Part Number	Ref. OEM	Qty. Req.	Description
45	call	6-0423	4	Hex Bolt, 5/16"-18 x 3/4"
46	BH-7796-06	2-1594	4	Arm Pin
47	call	6-1553	4	Locknut, 1/2"-13
48	BH-7792-79	1-1095	4	Plunger
49	call	6-0030	4	Hex Bolt., 3/8" x 3/4"
50	BH-7797-77	3-0761	4	Inner Arm
51	BH-7805-74	3-0850	2	Outer Arm, F.L./R.R.
52	BH-7805-75	4-0950	2	Locking Arm Assy., C/W Arm Lock Pin, F.L./R.R.
53	BH-7792-82	1-1099	4	Center Pin
54	BH-7805-76	1-1979	4	Adapter Pin
55	BH-7797-38	3-0583	4	Low Position Adapter
56	BH-7797-37	3-0582	4	High Position Adapter
60	call	6-0056	6	Lockwasher, 1/4"
61	call	6-1353	6	Rnd. Hd. Screw, 1/4" x 3/8"
62	call	6-0737	10	Hex Nut, 3/4"-10
63	call	6-0738	10	Flatwasher, 3/4"
64	BH-7798-77	6-1379	10	Wedge Anchor, 3/4" x 5-1/2"
65	BH-7798-26	6-1135	1	Plastic Knob
66	BH-7792-83	1-1113	1	Safety Rel. Handle
67	call	6-0046	8	Hex Bolt, 1/2"-13 x 1-1/4"
68	BH-7804-29	6-1507	3	Rubber Grommet
69	BH-7793-11	1-1473	2	Eq. Cable
70	BH-7793-43	1-2058	1	Safety Rel. Cable
71	BH-7798-13	6-0032	7	Hex Hd. Nut, 1/4"
72	call	6-1466	2	6/32 Screw, (Electrical Box)
73	BH-7798-38	6-0916	1	Microswitch
74	BH-7795-32	2-1143	1	Limit Switch Mtg. Bracket
75	BH-7798-37	6-1403	1	Electrical Utility Box
76	BH-7798-39	6-1133	1	Cable Connector
77	BH-7798-40	6-1173	1	Eq. Cable, 12/3 x 117"
78	BH-7792-99	1-1379	1	Actuator Extension
79	call	6-0741	1	Hex Hd. Bit, 1/4" NC x 2"
80	call	6-0027	2	Hex Hd. Bit., 1/4" NC x 1-1/4"
81	call	6-0205	1	Hex Hd. Bit., 1/4" NC x 1-1/2"
82	call	6-0069	2	Shldr. Bolt, 3/8" x 5/8"
83	call	6-0294	2	Hex Nut, 5/16"-18
84	BH-7792-98	1-1378	1	Actuator Mtg. Bracket
85	BH-7805-77	6-2060	2	Wire Rope Clip, 1/16"
86	BH-7798-56	6-1759	3	Eq. Cable Clip, 5/8"
87	BH-7805-67	6-0536	6	1/2" Tube Clamp
88	call	6-0062	12	3/8" Flatwasher
89	BH-7792-80	1-1096	4	Plunger Spring
90	BH-7790-98	6-0042	4	Nylon Locknut, 3/8"-16

Item No.	SVI Part Number	Ref. OEM	Qty. Req.	Description
91	call	6-1262	4	Plunger Bolt, 3/8"-16 x 6"
92	BH-7790-47	2-1129	4	Arm Lock Assy.
93	BH-7805-78	3-0849	2	Outer Arm, F.R./R.L.
94	BH-7805-79	4-0951	2	Locking Arm Assy., C/W Arm Lock Pin, F.R./R.L.

### Patriot Model 1776S, Hydraulic System



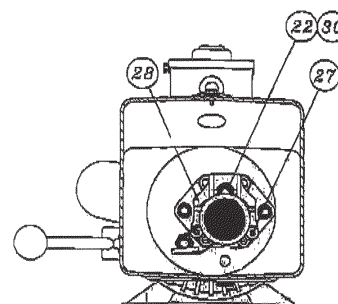
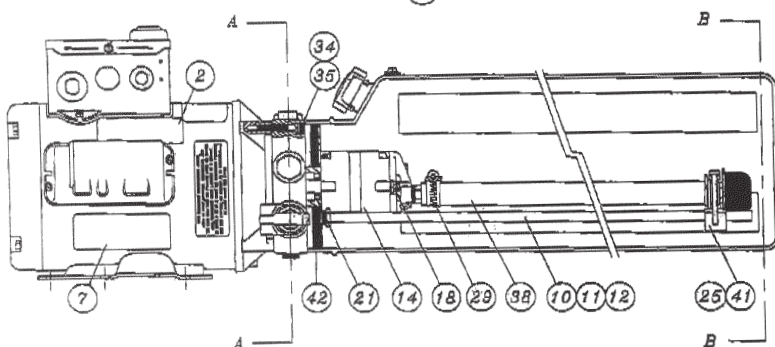
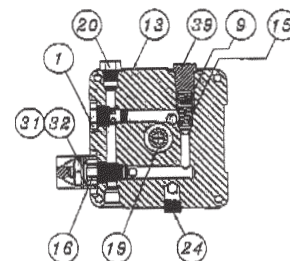
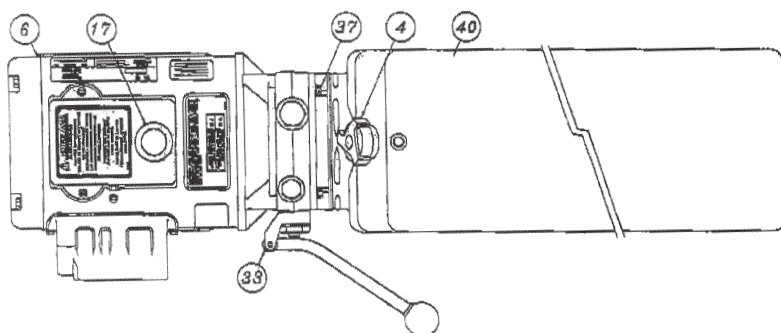
1	BH-7805-80	6-2055	1	Power Pack
2	BH-7805-111	6-1639	1	"Lift Operation" Decal
3	call	6-0294	4	Hex Nut, 5/16"-18
4	call	6-0674	4	Lockwasher, 5/16"
5	BH-7793-10	1-1469	2	Piston Rod, 1-1/4" x 1/4" x 72-11/16" 6
BH-7793-08		1-1465	2	Cylinder Tube Machined
7	BH-7805-112	6-2059	2	Male Nipple, 1/4"
8	BH-7801-30	6-0280	2	1/8" NPT to 1/4" JIC
9	BH-7804-30	6-1510	2	Flow Control
10	BH-7793-09	1-1467	2	Piston
11	BH-7790-84	0-0337	2	Piston Seal Kit
12	BH-7798-12	6-0295	4	Flatwasher, 5/16"
13	call	6-0293	4	Hex Bolt, 5/16"-18 x 1"
14	BH-7804-28	6-1506	1	Branch Tee
15	BH-7805-81	1-2040	1	Hydraulic Hose (Long)
16	BH-7795-39	2-1230	1	Hydraulic Hose (Short)
17	BH-7790-85	0-0338	2	Gland Kit
18	BH-7805-03	6-1884	2	1/4" JIC Cap
	BH-7797-44	3-0621	1	*Cylinder Assembly (Incl. Flow Control)



## lift repair parts for Wheeltronic Ltd. lifts

Patriot, Model 1776S, 9,000 Lb. - cont.

Patriot Model 1776S, Power Pack #6-2055 (AB-1381) 208-230V/1PH/60Hz.



Item No.	SVI Part Number	Ref. OEM	Qty. Req.	Description
1	BH-7803-69	6-1087	1	Valve Cartridge Check
2	BH-7805-113	6-2316	1	Label Install. Autohoist
4	BH-7804-13	6-1376	1	Breather Cap & Bladder
6	BH-7805-82	6-2139	1	Motor, AC 208-230V, 2 HP/1PH/60 Hz., Blk.
7	BH-7805-114	6-2149	1	Label Warning Autohoist
9	BH-7805-83	6-2151	1	Spring, 0.480" x 0.063" x 0.42" Comp.
10	BH-7805-84	6-2152	1	Return Hose, 3/8" x 21.5 "
11	call	6-2153	1	Compression Tube Nut
12	BH-7805-85	6-2154	1	Compression Tube Sleeve
13	BH-7805-86	6-2155	1	Endhead Univ. Autohoist
14	BH-7805-87	6-1958	1	Pumpassy 2.5 CC/Rev. Short Spline
15	BH-7804-05	6-1319	1	Relief Assy. Fixed 190 Bar
16	BH-7802-92	6-0880	1	Valve Cart. Rel. Manual
17	BH-7805-88	6-2156	1	Wiring Assy. AC 1 PH Fenner
18	BH-7803-72	6-1090	2	Bolt, 5/16"-24 x 3.00" Torx G8
19	BH-7802-54	6-0774	1	Coupling SAE 9T-20/40 1.260"
20	BH-7805-89	6-2157	1	Plumbing Plug, 9/16"
21	BH-7805-90	6-2158	1	Seal Shaft, 0.500" x 1.00" x 0.25"
22	call	6-2159	1	Washer, 0.338" x 0.625" x 0.060" Steel

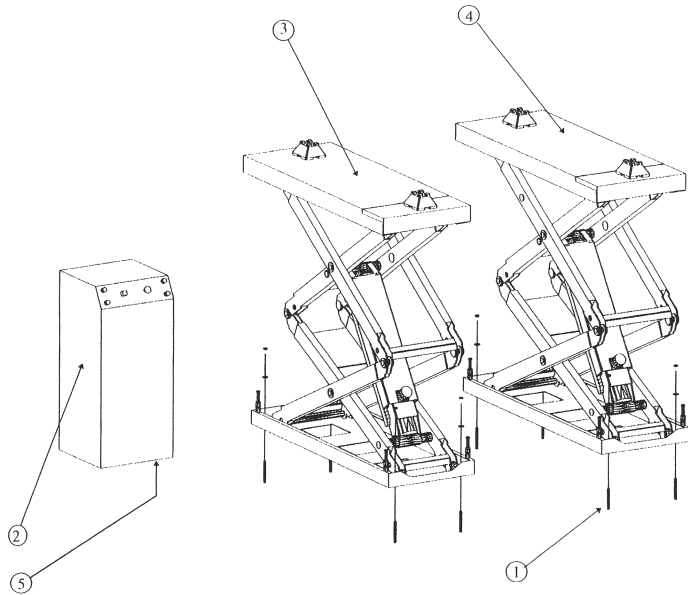
Item No.	SVI Part Number	Ref. OEM	Qty. Req.	Description
24	BH-7805-91	6-2161	1	Plumbing Plug, 3/8" NPT
25	BH-7805-92	6-2162	1	Plumbing Magnet
27	call	6-2164	2	Screw Taplite, M6 x 1.0" 12 MM Torx
28	BH-7805-93	6-2165	1	Cover Assy. Suction
29	BH-7805-94	6-2166	1	Plumbing Clamp Hose Adj. Inlet
30	call	6-1392	1	Bolt, 5/16"-18 x 1.00" SHCS
31	call	6-2167	1	Nut, 3/4"-16 x 1" HEX x 0.250" Steel
32	call	6-2168	1	Washer, 3/4" Int. Toothlock
33	BH-7802-56	6-0776	1	Bracket-Handle Assy. Rel., Blk.
34	call	6-2169	4	Bolt, M6 x 1.035 MM Soc. Hd.
35	call	6-2170	4	Washer, 1/4" Lock Hi-Collar
37	BH-7803-73	6-1091	4	Bolt, #12-24 x 0.50" Hex Wshrh.
38	BH-7802-64	6-0786	1	Plumbing Assy. Inlet 17.24 (3)
39	BH-7803-71	6-1089	1	Rel. Valve Cap Assy.
40	BH-7804-17	6-1399	1	Tank Plastic, 6.7 OS 22.50" Blk.
41	BH-7805-01	6-1846	1	White Cable Tie 8"
42	BH-7802-87	6-0875	1	"O"-Ring 2-348 BUNA

To Order Call: 800-321-8173 or 630-844-5566 / Fax: 800-899-1784 or 630-844-6770

All names, numbers, symbols and descriptions are used for reference purposes only. It is not implied that any part listed is the product of these manufactures, however, some parts may be the actual product of these manufacturers.

## lift repair parts for Wheeltronic Ltd. lifts

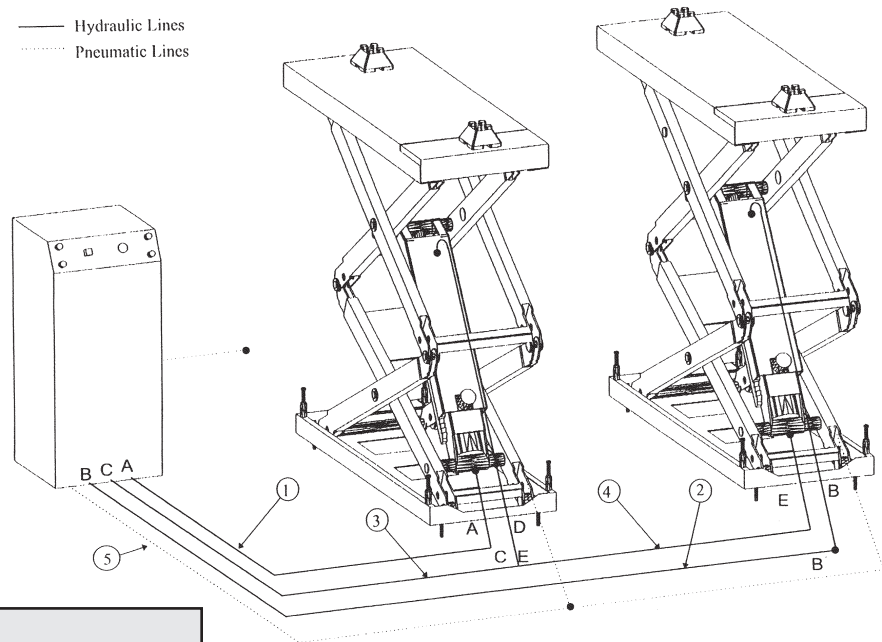
### Cobra, Model 35196FM



Item No.	SVI Part Number	Ref. OEM	Qty. Req.	Description
1	BH-7800-99	6-0140	8	Wdgc. Anchor, 1/2" x 4-1/2", (CW Nuts & Washers)
2	BH-7800-08	4-0608	1	Control Desk
3	BH-7800-06	4-0606	1	Deck Assy., LH.
4	BH-7800-07	4-0607	1	Deck Assy., RH.
5	BH-7805-49	6-1571	4	Wdgc. Anchor, 3/8" x 2-1/2", (CW Nuts & Washers)

### Cobra, Model 35196FM Hydraulics

— Hydraulic Lines  
 ..... Pneumatic Lines



Item No.	SVI Part Number	Ref. OEM	Qty. Req.	Description
1	BH-7795-45	2-1264	1	Hydraulic Hose "A"
2	BH-7795-46	2-1265	1	Hydraulic Hose "B"
3	BH-7795-47	2-1266	1	Hydraulic Hose "C"
4	BH-7795-48	2-1267	1	Hydraulic Hose "E"
5	BH-7804-32	6-1569	1	Pneumatic Line

**To Order Call: 800-321-8173 or 630-844-5566 / Fax: 800-899-1784 or 630-844-6770**

All names, numbers, symbols and descriptions are used for reference purposes only. It is not implied that any part listed is the product of these manufactures, however, some parts may be the actual product of these manufacturers.

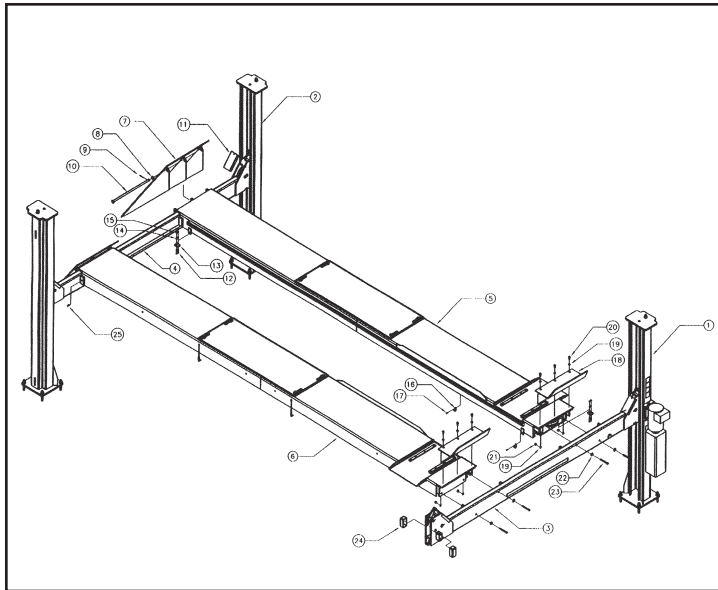




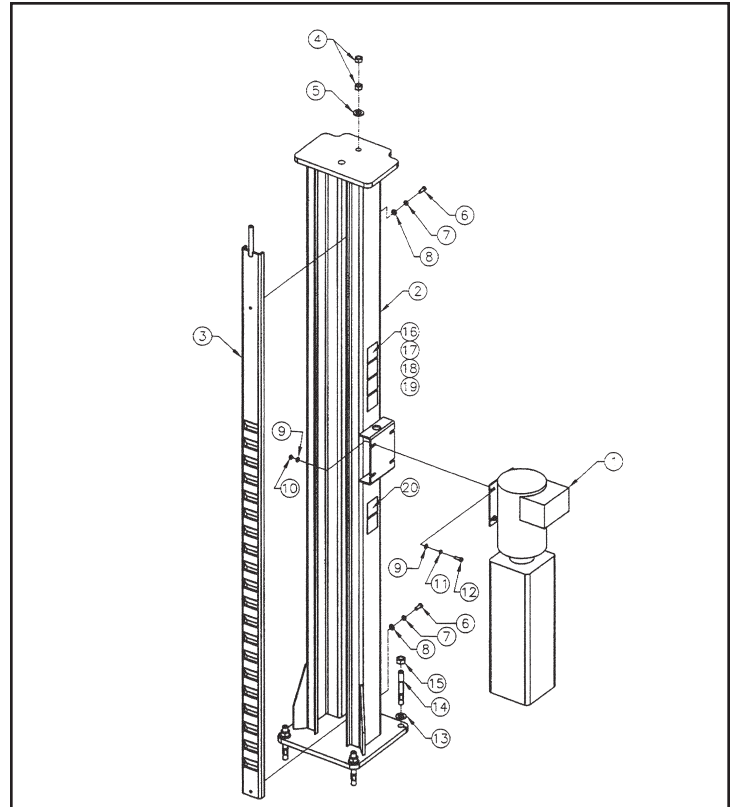
lift repair parts for Wheeltronic Ltd. lifts

Kodiak, Model 18405AF

Lift Assembly



Tower Assembly



Item No.	SVI Part Number	Ref. OEM	Qty. Req.	Description
1	BH-7800-20	4-0636	1	Power Post Tower
2	BH-7800-18	4-0630	3	Tower
3	BH-7800-15	4-0627	1	Front Crossmember
4	BH-7800-14	4-0626	1	Rear Crossmember
5	BH-7800-17	4-0629	1	LH. Deck Weldment
6	BH-7800-16	4-0628	1	RH. Deck Weldment
7	BH-7797-54	3-0680	2	Approach Ramp
8	call	6-0738	2	Flatwasher, 3/4"
9	BH-7798-76	6-0115	2	Cotter Pin, 1/8" x 2"
10	BH-7795-75	2-1381	2	Approach Ramp Pin
11	BH-7795-74	2-1379	4	Sheave Cover
12	call	6-0177	4	Hex Hd. Bolt, 1/4"-20 x 2"
13	BH-7792-65	1-1057	2	Manifold
14	call	6-0056	4	Lockwasher, 1/4"
15	BH-7798-13	6-0032	4	Hex Nut, 1/4"-20
16	BH-7804-49	6-1683	2	3/4" Hose Clamp
17	BH-7798-11	6-0297	2	Sif.-Thrd. Screw, #10 x 3/4"
18	BH-7795-04	2-0998	2	Front Wheelstop
19	call	6-0059	14	Lockwasher, 1/2"
20	call	6-0045	6	Hex Hd. Bolt, 1/2"-13 x 1"
21	call	6-0035	8	Hex Nut, 1/2"-13
22	call	6-0063	8	Flatwasher, 1/2"
23	call	6-1694	8	Hex Hd. Bolt, 1/2" x 4-1/2"
24	BH-7790-19	2-0772	8	Glide Bearing

Item No.	SVI Part Number	Ref. OEM	Qty. Req.	Description
1	BH-7804-55	6-1695	1	Power Pack, 230V/1PH
2	BH-7800-20	4-0636	1	Power Post Weldment
3	BH-7797-35	3-0580	1	Safety Rack Weldment
4	call	6-0673	2	Hex Nut, 5/8"-11, GR.8
5	call	6-0738	1	Flatwasher, 3/4"
6	call	6-0668	2	Hex Hd. Bolt, 3/8"-16 x 1" GR.8
7	call	6-0058	2	Lockwasher, 3/8"
8	call	6-0062	2	Flatwasher, 3/8"
9	BH-7798-12	6-0295	4	Flatwasher, 5/16"
10	call	6-0294	8	Hex Nut, 5/16"-18, GR.8
11	call	6-0674	4	Lockwasher, 5/16"
12	call	6-0293	4	Hex Hd Bolt, 5/16" x 1", GR.8
13	call	6-0738	4	Flatwasher, 3/4"
14	BH-7798-77	6-1379	4	Wedge Anchor, 3/4" x 5-1/2"
15	call	6-0737	4	Hex Nut, 3/4"-10
16	BH-7805-97	6-0592	1	"Caution" Decal
17	BH-7805-115	6-0351	1	"Safety Instructions" Decal
18	BH-7805-96	6-0595	1	"Warning" Decal
19	BH-7805-116	6-1637	1	"Attention" Decal
20	BH-7805-117	6-1655	1	Serial Tag

To Order Call: 800-321-8173 or 630-844-5566 / Fax: 800-899-1784 or 630-844-6770

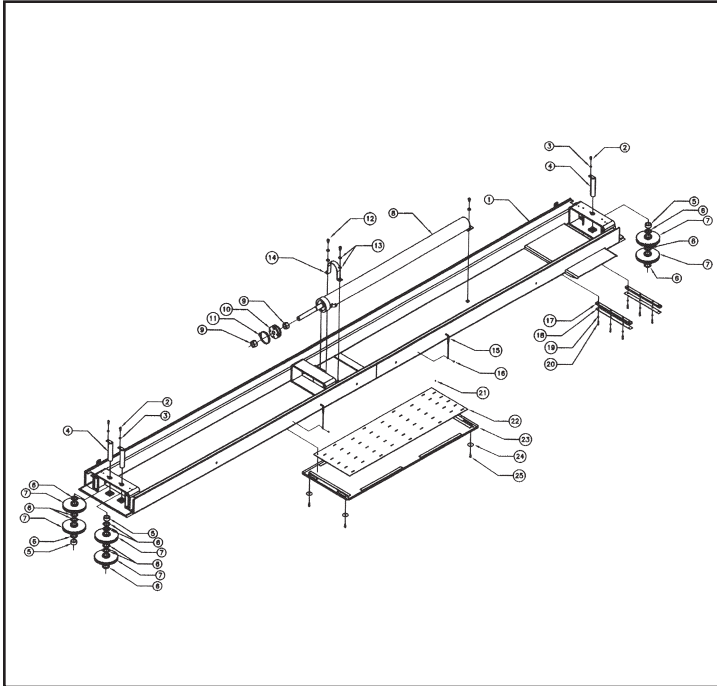
All names, numbers, symbols and descriptions are used for reference purposes only. It is not implied that any part listed is the product of these manufactures, however, some parts may be the actual product of these manufacturers.



## lift repair parts for Wheeltronic Ltd. lifts

### Kodiak, Model 18405AF – cont.

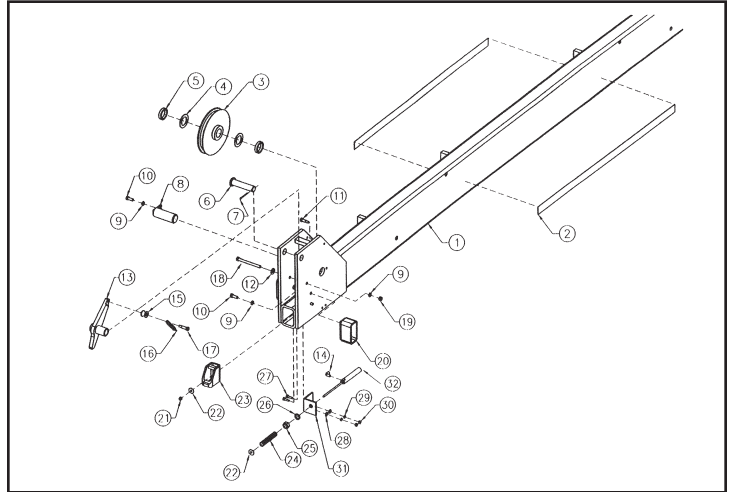
#### Deck Assembly (Left Side)



Item No.	SVI Part Number	Ref. OEM	Qty. Req.	Description
----------	-----------------	----------	-----------	-------------

1	BH-7800-17	4-0629	1	LH. Deck Weldment
2	call	6-0668	3	Hex Hd. Blt., 3/8"-16 x 1"
3	call	6-0058	3	Lockwasher, 3/8"
4	BH-7795-65	2-1355	3	Deck Sheave Pin
5	BH-7793-27	1-1697	3	Sheave Spacer, 1"
6	BH-7792-15	1-0757	12	Nylon Thrust Washer
7	BH-7795-72	2-1377	6	Sheave Assembly
8	BH-7797-55	3-0681	1	Cylinder Assembly-4" Bore
9	call	6-1644	2	Hex Nut, 1-3/8"-12
10	BH-7795-81	2-1432	1	Cable Flange (18K 4 Post)
11	BH-7801-96	6-0665	1	Hose Clamp, 4-1/2"
12	call	6-0044	3	Hex Hd. Bolt, 1/2" x 3/4"
13	BH-7798-25	6-0248	5	Washer, 1/2"
14	BH-7793-31	1-1747	1	Cylinder Sling
15	BH-7794-37	2-0637	2	Locking Pin Assembly
16	call	6-0505	2	Self-Tap. Screw, #10 x 1/2"
17	BH-7794-36	2-0636	2	Spacer Bar
18	BH-7794-35	2-0635	2	Retaining Bar
19	call	6-0056	6	Lockwasher, 1/2"
20	call	6-0027	6	Hex Hd Bolt, 1/4" x 1-1/4"
21	BH-7790-35	6-0829	1	1/4" Ball Bearing (1 Packet)
22	BH-7790-34	3-0196	1	Bearing Cage
23	BH-7796-49	3-0197	1	Rear Slip Plate (Full Floating)
24	call	6-0426	4	Flatwasher, 2" x 13/32"
25	call	6-0069	4	Shoulder Bolt, 3/8" x 5/8"

#### Crossmember Assembly



Item No.	SVI Part Number	Ref. OEM	Qty. Req.	Description
----------	-----------------	----------	-----------	-------------

1	BH-7800-15	4-0627	1	Front Crossmember
2	BH-7805-46	6-1125	2	"Caution" Tape, 40"
3	BH-7795-72	2-1377	2	Sheave Assembly
4	BH-7792-15	1-0757	4	Nylon Thrust Washer
5	BH-7792-24	1-0786	4	Sheave Spacer, 3/8"
6	BH-7793-30	1-1744	2	Lock Safety Pin
7	BH-7798-76	6-0115	2	Cotter Pin, 1/8" x 2"
8	BH-7795-66	2-1356	2	Crossmember Sheave Pin
9	call	6-0058	12	Lockwasher, 3/8"
10	call	6-0668	10	Hex Bolt, 3/8"-16 x 1"
11	call	6-0729	2	Shoulder Bolt, 3/8" x 3/4"
12	call	6-0625	2	Flatwasher, 3/8"
13	BH-7795-78	2-1424	2	Lock Safety
14	BH-7802-31	6-0709	2	90° Elbow, 1/8" NPT x 1/4" Polytube
15	BH-7790-32	1-0766	2	Cable Roller
16	BH-7792-19	1-0768	2	Tension Spring
17	BH-7791-08	6-0206	2	Shoulder Bolt, 3/8" x 1"
18	call	6-1693	2	Hex Bolt, 3/8"-16 x 4-1/2"
19	call	6-0034	2	Hex Nut, 3/8"-16
20	BH-7795-71	2-1376	4	Slider Block
21	call	6-1563	2	Hex Nylon Locknut, 1/4"-28
22	call	6-0626	4	Fender Washer, 1/4"
23	BH-7795-73	2-1378	2	Safety Shoe Weldment
24	BH-7792-18	1-0767	2	Compression Spring
25	call	6-0662	2	Hex Nut, 5/8"-18
26	call	6-0663	2	Int. Tooth Lockwasher, 5/8"
27	call	6-0008	4	Hex Bolt, 1/4"-20 x 1"
28	call	6-0060	4	Flatwasher, 1/4"
29	call	6-0056	4	Lockwasher, 1/4"
30	BH-7798-13	6-0032	4	Hex Nut, 1/4"-20
31	BH-7793-28	1-1712	2	Air Cylinder Bracket
32	BH-7798-03	6-0651	2	Air Cylinder

**To Order Call: 800-321-8173 or 630-844-5566 / Fax: 800-899-1784 or 630-844-6770**

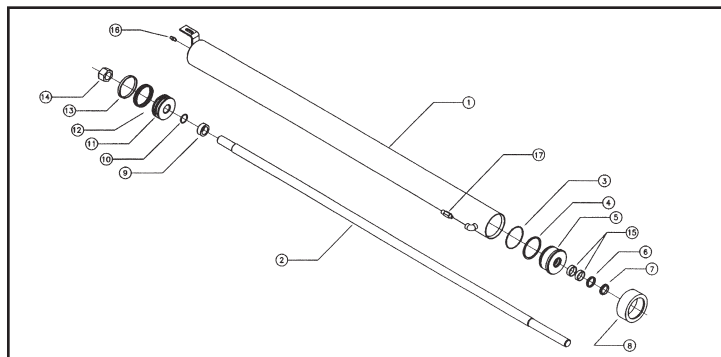
All names, numbers, symbols and descriptions are used for reference purposes only. It is not implied that any part listed is the product of these manufactures, however, some parts may be the actual product of these manufacturers.



## lift repair parts for Wheeltronic Ltd. lifts

### Kodiak, Model 18405AF - cont.

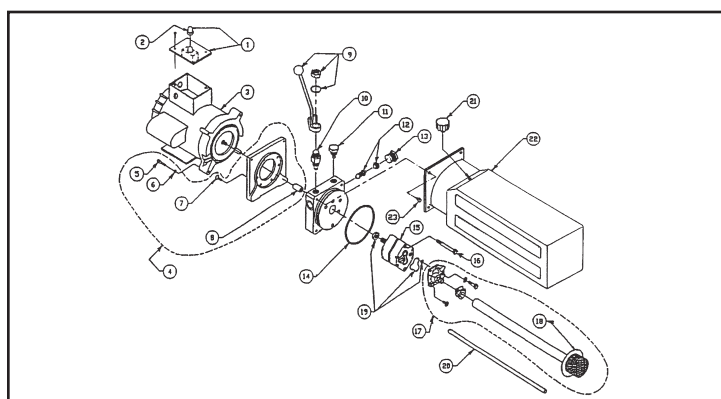
#### Cylinder Assembly



Item No.	SVI Part Number	Ref. OEM	Qty. Req.	Description
1	BH-7795-64	2-1345	1	4" Bore Cylinder Tube
2	BH-7795-61	2-1340	1	Piston Rod-Machined
3	BH-7804-40	6-1633	1	"O" Ring, 4" x 1/8" C/S
4	BH-7804-41	6-1634	1	Backup Ring
5	BH-7797-53	3-0673	1	Gland

Item No.	SVI Part Number	Ref. OEM	Qty. Req.	Description
6	BH-7804-02	6-1304	1	Rod Seal, 1-1/2" x 1-7/8" x 3/16"
7	BH-7805-47	6-1303	1	Rod Wiper, 1-1/2" x 1-7/8" x 3/16"
8	BH-7795-62	2-1343	1	Tube Nut
9	BH-7793-26	1-1689	1	Keeper Washer
10	BH-7804-39	6-1632	1	"O" Ring, 1-3/8" x 1/8" C/S
11	BH-7795-63	2-1344	1	Piston
12	BH-7804-43	6-1636	1	Rod Seal, 4" x 3-1/2"
13	BH-7804-42	6-1635	1	Wear Ring, 4" x 3/8" x 1/8"
14	call	6-1645	1	Locknut, 1-3/8"-12
15	BH-7804-51	6-1686	2	Wear Ring, 1-3/4" x 1/2" W x 1/8" Thk.
16	BH-7801-30	6-0280	1	Adapter, 1/8" NPT-M to 1/4" JIC-M
17	BH-7804-50	6-1684	1	Velocity Fuse-8 GPM

#### Power Pack Assembly



Item No.	SVI Part Number	Ref. OEM	Qty. Req.	Description
1	BH-7802-93	6-0881	1	Microswitch & Wire Assy.
2	BH-7803-68	6-1084	1	Microswitch Boot
3	BH-7802-53	6-0773	1	Motor, 230V AC, 1PH, 60 Hz
4	BH-7805-14	0-0197	1	Motor Adapter Kit
5	call	6-1085	4	Socket Hd. Cap Scw., 1/4"-20 x 1-5/8"

Item No.	SVI Part Number	Ref. OEM	Qty. Req.	Description
6	call	6-0056	4	Lockwasher, 1/4"
7	call	6-1086	4	Allen Flat Hd. Scw., 1/4"-20 x 3/4"
8	BH-7802-54	6-0774	1	Coupling
9	BH-7802-56	6-0776	1	Rel. Bracket & Handle Assy.
10	BH-7802-92	6-0880	1	Valve Cartridge Release
11	BH-7803-69	6-1087	1	Valve Cartridge Check
12	BH-7804-05	6-1319	1	Fixed Relief Valve Assy. (RV 19)
13	BH-7803-71	6-1089	1	Relief Valve Cap
14	BH-7802-87	6-0875	1	Reservoir "O" Ring
15	BH-7804-52	6-1688	1	Pump Assembly
16	BH-7803-72	6-1090	2	Pump Mounting Bolt
17	BH-7790-76	0-0198	1	Inlet Plumbing Kit
18	BH-7802-64	6-0786	1	Inlet Hose/Filter Assy.
19	BH-7790-77	0-0199	1	Pump "O" Ring Kit
20	BH-7802-61	6-0783	1	Return Tube
21	BH-7802-62	6-0784	1	Breather Filler Cap
22	BH-7802-63	6-0785	1	Reservoir
23	BH-7803-73	6-1091	4	Reservoir Screw

**To Order Call: 800-321-8173 or 630-844-5566 / Fax: 800-899-1784 or 630-844-6770**

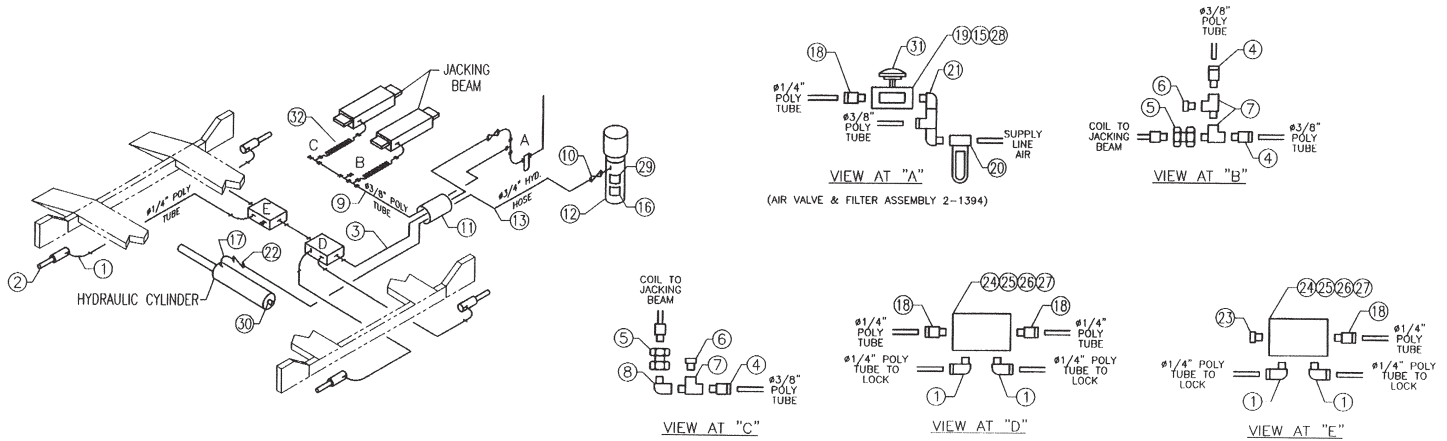
All names, numbers, symbols and descriptions are used for reference purposes only. It is not implied that any part listed is the product of these manufactures, however, some parts may be the actual product of these manufacturers.



lift repair parts for Wheeltronic Ltd. lifts

Kodiak, Model 18405AF – cont.

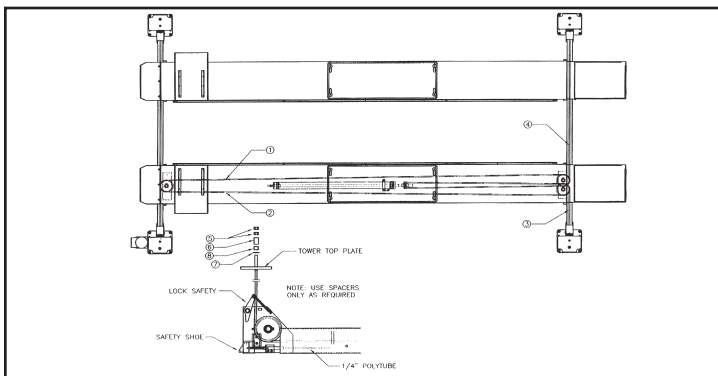
Hydraulic and Air Kit



Item No.	SVI Part Number	Ref. OEM	Qty. Req.	Description
1	BH-7802-31	6-0709	8	90° Elbow, 1/8" NPT x 1/4" Poly Tube
2	BH-7798-03	6-0651	4	Air Cylinder
3	BH-7804-15	6-1396	10'	1/4" Poly Tube
4	BH-7802-32	6-0710	3	Adpt., 3/8" Poly Tube x 1/4" NPT
5	BH-7802-33	6-0713	2	Terminal Bolt, 3/4"
6	BH-7801-31	6-0282	2	Plug, 1/4" NPT
7	BH-7800-62	6-0014	3	1/4" NPT Street Tee
8	BH-7800-63	6-0015	1	1/4" NPT Street Elbow
9	BH-7804-18	6-1400	10'	3/8" Poly Tube
10	BH-7804-53	6-1691	1	Flow Control
11	BH-7802-34	6-0714	4'	Hose Guard
12	BH-7804-55	6-1695	1	Power Pack 230V/1 PH
13	BH-7804-54	6-1692	1	Hyd. Hose Assy., 3/8" JIC F, 16'
14	BH-7802-41	6-0731	3	Cable Tie
15	call	6-1095	2	Hex Nut, #8-32
16	BH-7805-100	6-0594	1	"Notice" Decal
17	BH-7802-67	6-0796	1	90° Elbow, 1/4" NPT M x 3/8" NPT F

Item No.	SVI Part Number	Ref. OEM	Qty. Req.	Description
18	BH-7802-30	6-0708	3	Adpt., 1/4" Poly Tube x 1/8" NPT
19	BH-7805-119	6-1685	1	Air Valve
20	BH-7801-13	6-0180	1	Air Filter
21	BH-7790-86	0-0405	1	Air Valve Fitting Kit
22	BH-7804-50	6-1684	1	Velocity Fuse, 8 GPM
23	BH-7801-14	6-0182	1	Plug, 1/8" NPT
24	BH-7792-65	1-1057	2	Manifold
25	call	6-0177	4	Hex Hd. Bolt, 1/4"-20 x 2"
26	BH-7798-13	6-0032	4	Hex Nut, 1/4"-20
27	call	6-0056	4	Lockwasher, 1/4"
28	call	6-1094	2	Phil. Hd. Screw, #8-32 x 1"
29	BH-7805-118	6-0593	1	"Lift Operation" Decal
30	BH-7801-30	6-0280	1	Adpt., 1/8" NPT M x 1/4" JIC M
31	BH-7805-120	0-0406	1	Air Valve Pushbutton Kit
32	BH-7798-06	6-0337	1	Recoil Hose
*	BH-7795-77	2-1394	1	Air Valve & Filter Assy.

Cable Routing



Item No.	SVI Part Number	Ref. OEM	Qty. Req.	Description
1	BH-7795-67	2-1360	1	Cable Assy., 407.5" F.L.
2	BH-7795-68	2-1361	1	Cable Assy., 473.5" F.R.
3	BH-7795-69	2-1362	1	Cable Assy., 162" R.L.
4	BH-7795-70	2-1363	1	Cable Assy., 228" R.R.
5	call	6-0724	8	Hex Nut, 7/8"-14 UNF, GR. 8
6	BH-7792-29	1-0800	4	Cable Spacer, 2"
7	call	6-0725	4	Flatwasher, 7/8"

To Order Call: 800-321-8173 or 630-844-5566 / Fax: 800-899-1784 or 630-844-6770

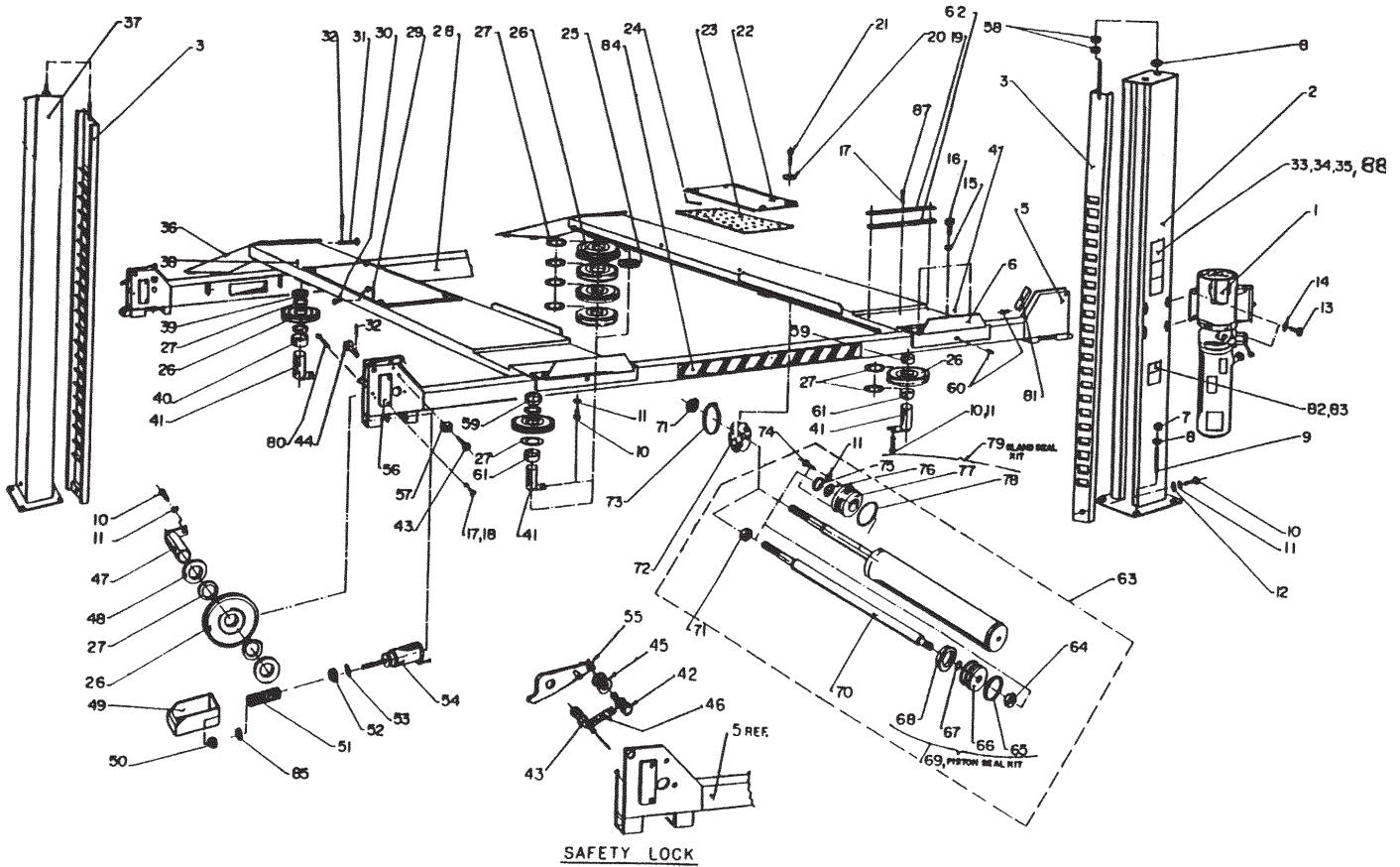
All names, numbers, symbols and descriptions are used for reference purposes only. It is not implied that any part listed is the product of these manufactures, however, some parts may be the actual product of these manufactures.





lift repair parts for Wheeltronic Ltd. lifts

John Bean  
Quatro 4-Post  
Model 44110Q



Item No.	SVI Part Number	Ref. OEM	Qty. Req.	Description
1	BH-7801-91	6-0650	1	Power Pack, 220V/1PH
2	BH-7799-40	4-0186	1	Power Post
3	BH-7790-37	3-0487	4	Safety Rack
4	BH-7799-72	4-0357	1	Align. Deck, LH.
5	BH-7799-69	4-0342	1	Front Crossmember
6	BH-7795-02	2-0989	2	Front Wheel Stop
7	call	6-0737	16	Hex Nut, 3/4"-10
8	call	6-0738	20	Flatwasher, 3/4"
9	BH-7802-42	6-0736	16	Wedge Anchor, 3/4" x 4-3/4"
10	call	6-0668	12	Hex Hd. Bot, 3/8" -16 x 1" GR. 8
11	call	6-0058	14	Lockwasher, 3/8"
12	call	6-0062	4	Flatwasher, 3/8"
13	call	6-0423	4	Hex Hd. Bolt, 5/16"- 18 x 3/4"
14	call	6-0674	4	Lockwasher, 5/16"
15	call	6-0059	6	Lockwasher, 1/2"
16	call	6-0045	6	Hex Hd. Bit, 1/2"-13 x 1"

Item No.	SVI Part Number	Ref. OEM	Qty. Req.	Description
17	call	6-0056	28	Lockwasher, 1/4"
18	call	6-0178	16	Hex Hd. Bit 1/4"-20 x 3/4"
19	BH-7794-35	2-0635	4	Retaining Bar
20	call	6-0426	8	Flatwasher, 13/32" x 2"
21	call	6-0069	8	Shoulder Bit., 3/8" x 5/8"
22	BH-7797-12	3-0503	2	Rear Slip Plate
23	BH-7792-71	1-1070	2	Bearing Cage
24	BH-7790-35	6-0829	1	Ball Bearing Set
25	BH-7792-25	1-0787	1	1/2" Lg. Sheave Spacer
26	BH-7794-19	2-0557	11	Sheave Assembly
27	BH-7792-15	1-0757	19	Nylon Thrust Washer
28	BH-7799-68	4-0341	1	Rear Crossmember
29	BH-7794-37	2-0637	4	Locking Pin Assembly
30	call	6-0505	4	Self-Tap. Screw, #10 x 1/2"
31	BH-7791-19	1-0095	2	Ramp Pin
32	BH-7798-76	6-0115	6	Cotter Pin, 1/8" x 2"

To Order Call: 800-321-8173 or 630-844-5566 / Fax: 800-899-1784 or 630-844-6770

All names, numbers, symbols and descriptions are used for reference purposes only. It is not implied that any part listed is the product of these manufactures, however, some parts may be the actual product of these manufacturers.



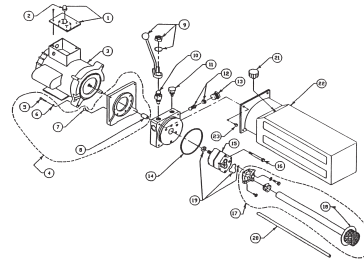
## lift repair parts for Wheeltronic Ltd. lifts

## John Bean, Quatro 4-Post, Model 44110Q — cont.

Item No.	SVI Part Number	Ref. OEM	Qty. Req.	Description	Item No.	SVI Part Number	Ref. OEM	Qty. Req.	Description
33	BH-7805-97	6-0592	1	"Caution" Decal	61	BH-7792-58	1-0943	2	Sheave Spacer, 2"
34	BH-7805-115	6-0351	1	"Safety Instructions" Decal	62	BH-7794-36	2-0636	4	Spacer Bar
35	BH-7805-96	6-0595	1	"Warning" Decal	63	BH-7797-88	4-0187	1	Hydraulic Cyl.
36	BH-7797-11	3-0502	2	Approach Ramp	64	call	6-1160	1	Locknut, 7/8"-14UNF, Nylon Inst.
37	BH-7796-80	3-0347	3	Post	65	BH-7800-55	6-0004	1	Wear Ring
38	BH-7799-73	4-0358	1	Align. Deck, RH.	66	BH-7794-21	2-0564	1	Piston
39	BH-7792-27	1-0798	1	Sheave Spacer, 2-1/2"	67	BH-7804-03	6-1305	1	"O" Ring
40	BH-7792-26	1-0788	1	Sheave Spacer, 1-1/2"	68	BH-7800-54	6-0003	1	Piston Seal
41	BH-7794-23	2-0566	4	Deck Sheave Pin	69	BH-7790-66	0-0169	1	Piston Seal Kit
42	BH-7790-31	6-0801	4	Shoulder Blt., 3/8" x 1-1/2"	70	BH-7794-22	2-0565	1	Piston Rod
43	call	6-0729	12	Shoulder Blt., 3/8" x 3/4"	71	call	6-0664	2	Hex Nut, 1" -14UNF-2A, GR.8
44	BH-7792-20	1-0769	4	Lock Safety Pin	72	BH-7794-20	2-0561	1	Cable Flange
45	BH-7790-32	1-0766	4	Cable Roller	73	BH-7801-96	6-0665	1	Clamp
46	BH-7792-19	1-0768	4	Tension Spring	74	call	6-0666	2	Hex Hd. Blt., 3/8"-16 x 1-1/4" GR. 8
47	BH-7792-21	1-0771	4	Crossmember Sheave Pin	75	BH-7801-92	6-0653	1	Rod Wiper
48	BH-7792-24	1-0786	8	Sheave Spacer, 3/8"	76	BH-7801-93	6-0654	1	Rod Seal
49	BH-7790-38	2-0990	4	Safety Shoe Weldment	77	BH-7796-81	3-0348	1	Gland
50	call	6-1563	4	Hex Nylon Locknut, 1/4"-28 UNF	78	BH-7801-94	6-0655	1	"O" Ring
51	BH-7792-18	1-0767	4	Compression Spring	79	BH-7790-67	0-0170	1	Gland Seal Kit
52	call	6-0662	4	Hex Nut, 5/8"-18 UNF	80	call	6-0730	4	Hex Hd. Blt., 3/8"-16 x 2-3/4"
53	call	6-0663	4	Intern. Tooth Lockwasher, 5/8"	81	BH-7794-25	2-0575	4	Sheave Cover
54	BH-7798-03	6-0651	4	Air Cyl., 5-1/2" Rod Lg. (Spr-12)	82	BH-7805-121	6-1114	1	Serial Tag
55	BH-7794-24	2-0567	4	Safety Lock Wldmt.	83	BH-7805-102	6-0996	1	"ALI/ETL" Tag
56	BH-7792-22	1-0775	8	Plastic Bracket	84	BH-7805-46	6-1125	2	"Caution" Tape, (40" Lg.)
57	BH-7792-23	1-0776	8	Plastic Guide	85	call	6-0060	8	Flatwasher, 1/4"
58	call	6-0036	8	Hex Nut, 5/8"-11, GR. 8	87	call	6-0027	12	Hex Hd. Blt., 1/4"-20 x 1-1/4"
59	BH-7792-28	1-0799	2	Sheave Spacer, 1-3/4"	88	BH-7805-116	6-1637	1	"Attention" Decal
60	call	6-0726	8	Set Screw, 1/2"-13 x 1" GR.					

## John Bean, Quatro 4-Post, Model 44110Q, Power Pack

1	BH-7802-93	6-0881	1	Microswitch & Wiring Assy.
2	BH-7803-68	6-1084	1	Microswitch Boot
3	BH-7802-53	6-0773	1	Motor 230V AC, 1 PH. 60 Hz
4	BH-7805-14	0-0197	1	Motor Adpt. Kit
5	call	6-1085	4	Socket HD. Cap Scw. 1/4"-20 x 1-5/8"
6	call	6-0056	4	Lockwasher, 1/4"
7	call	6-1086	4	Allen Hd. Flat Scw. 1/4" x 3/4"
8	BH-7802-54	6-0774	1	Coupling
9	BH-7802-56	6-0776	1	Rel. Bracket & Handle Assy.
10	BH-7802-92	6-0880	1	Valve Cartridge Release
11	BH-7803-69	6-1087	1	Valve Cartridge Check
12	BH-7804-04	6-1317	1	Fixed Relief Valve (RV 17)
13	BH-7803-71	6-1089	1	Relief Valve Cap
14	BH-7802-87	6-0875	1	Reservoir "O" Ring
15	BH-7802-60	6-0782	1	Pump Assy.
16	BH-7803-72	6-1090	2	Pump Mounting Bolt



17	BH-7790-76	0-0198	1	Inlet Plumbing Kit
18	BH-7802-64	6-0786	1	Inlet Hose/Filter Assy.
19	BH-7790-77	0-0199	1	Pump "O" Ring Kit
20	BH-7802-61	6-0783	1	Return Tube
21	BH-7802-62	6-0784	1	Breather-Filler Cap
22	BH-7802-63	6-0785	1	Reservoir
23	BH-7803-73	6-1091	4	Reservoir Screw

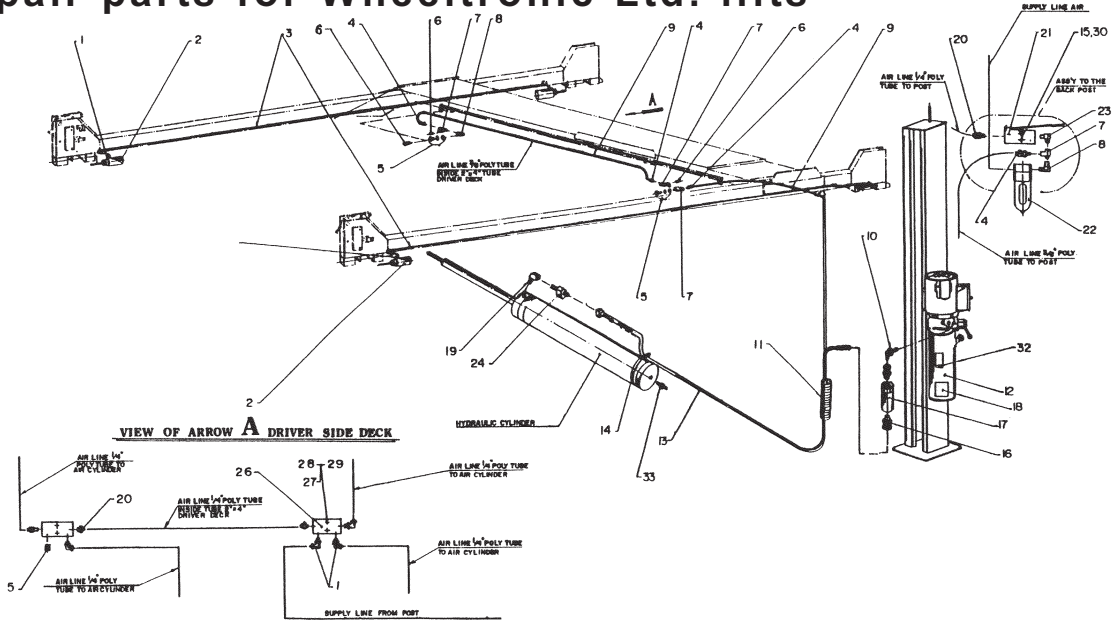
**To Order Call: 800-321-8173 or 630-844-5566 / Fax: 800-899-1784 or 630-844-6770**

All names, numbers, symbols and descriptions are used for reference purposes only. It is not implied that any part listed is the product of these manufactures, however, some parts may be the actual product of these manufacturers.



lift repair parts for Wheeltronic Ltd. lifts

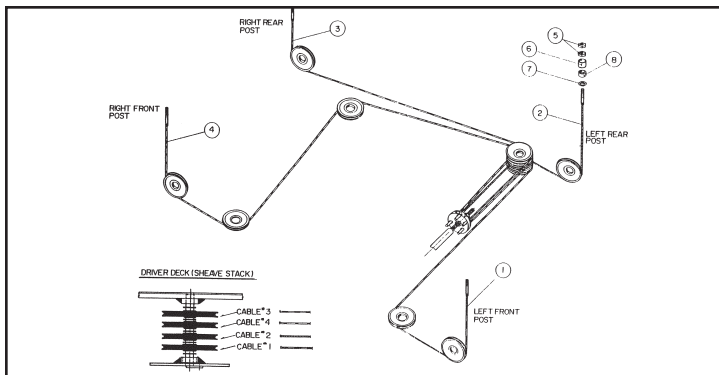
John Bean,  
Quatro 4-Post,  
Model 44110Q  
Hydraulics



Item No.	SVI Part Number	Ref. OEM	Qty. Req.	Description
1	BH-7802-31	6-0709	8	90° Elbow, 1/8" NPT x 1/4" Poly Tube
2	BH-7798-03	6-0651	4	Air Cylinder
3	BH-7802-28	6-0706	50'	1/4" Poly Tube
4	BH-7802-32	6-0710	4	Adpt, 3/8" Poly Tube x 1/4" NPT
5	BH-7802-33	6-0713	2	Terminal Bolt, 3/4"
6	BH-7801-31	6-0282	2	Plug, 1/4" NPT
7	BH-7800-62	6-0014	4	1/4" NPT Street Tee
8	BH-7800-63	6-0015	2	1/4" NPT Street Elbow
9	BH-7802-29	6-0707	25'	3/8" Poly Tube
10	BH-7798-45	6-0804	1	90° Adpt, 3/8" JIC M x 9/16"-18M
11	BH-7802-34	6-0714	4'	Hose Guard
12	BH-7801-91	6-0650	1	Power Pack, 230V/1PH
13	BH-7802-35	6-0715	1	Hyd. Hose Assy., 3/8" Swivel x 3/8" JICM, 147"
14	BH-7802-41	6-0731	3	Cable Tie
15	call	6-1095	2	Hex Nut, #8-32
16	BH-7802-68	6-0797	2	Adpt., 3/8" NPT M x 3/8" JIC F, Swivel

Item No.	SVI Part Number	Ref. OEM	Qty. Req.	Description
17	BH-7800-74	6-0090	1	Flow Control
18	BH-7805-100	6-0594	1	"Notice" Decal
19	BH-7802-66	6-0796	1	90° Elbow, 1/4" NPT M x 3/8" NPT F
20	BH-7802-30	6-0708	4	Adpt, 1/4" Poly Tube x 1/8" NPT
21	BH-7802-36	6-0717	1	Air Valve
22	BH-7801-13	6-0180	1	Air Filter
23	BH-7802-37	6-0718	1	90° Reducer, 1/4" NPT M x 1/8" NPT M
24	BH-7790-20	6-0025	1	Velocity Fuse
25	BH-7801-14	6-0182	1	Plug, 1/8" NPT
26	BH-7792-65	1-1057	2	Manifold
27	call	6-0205	4	Hex. Hd. Cap Screw, 1/4"-20 x 1-1/2"
28	BH-7798-13	6-0032	4	Hex Nut, 1/4"-20
29	call	6-0056	4	Lockwasher, 1/4"
30	call	6-1094	2	Phil. Hd. Screw, #8-32 x 1"
32	BH-7805-118	6-0593	1	"Lift Operation" Decal
33	BH-7801-30	6-0280	1	Adpt, 1/8" NPT M x 1/4" JIC M

John Bean, Quatro 4-Post, Model 44100Q Cable Routing



Item No.	SVI Part Number	Ref. OEM	Qty. Req.	Description
1	BH-7794-91	2-0943	1	Cable Assy., 314" Lg. L.F.
2	BH-7794-92	2-0944	1	Cable Assy., 144" Lg. L.R.
3	BH-7794-93	2-0945	1	Cable Assy., 194" Lg. R.R.
4	BH-7794-94	2-0946	1	Cable Assy., 361" Lg. R.F.
5	call	6-0724	8	Hex Nut, 7/8"-14 UNF, GR. 8
6	BH-7792-29	1-0800	4	Cable Spacer, 2"
7	call	6-0725	4	Flatwasher, 7/8"

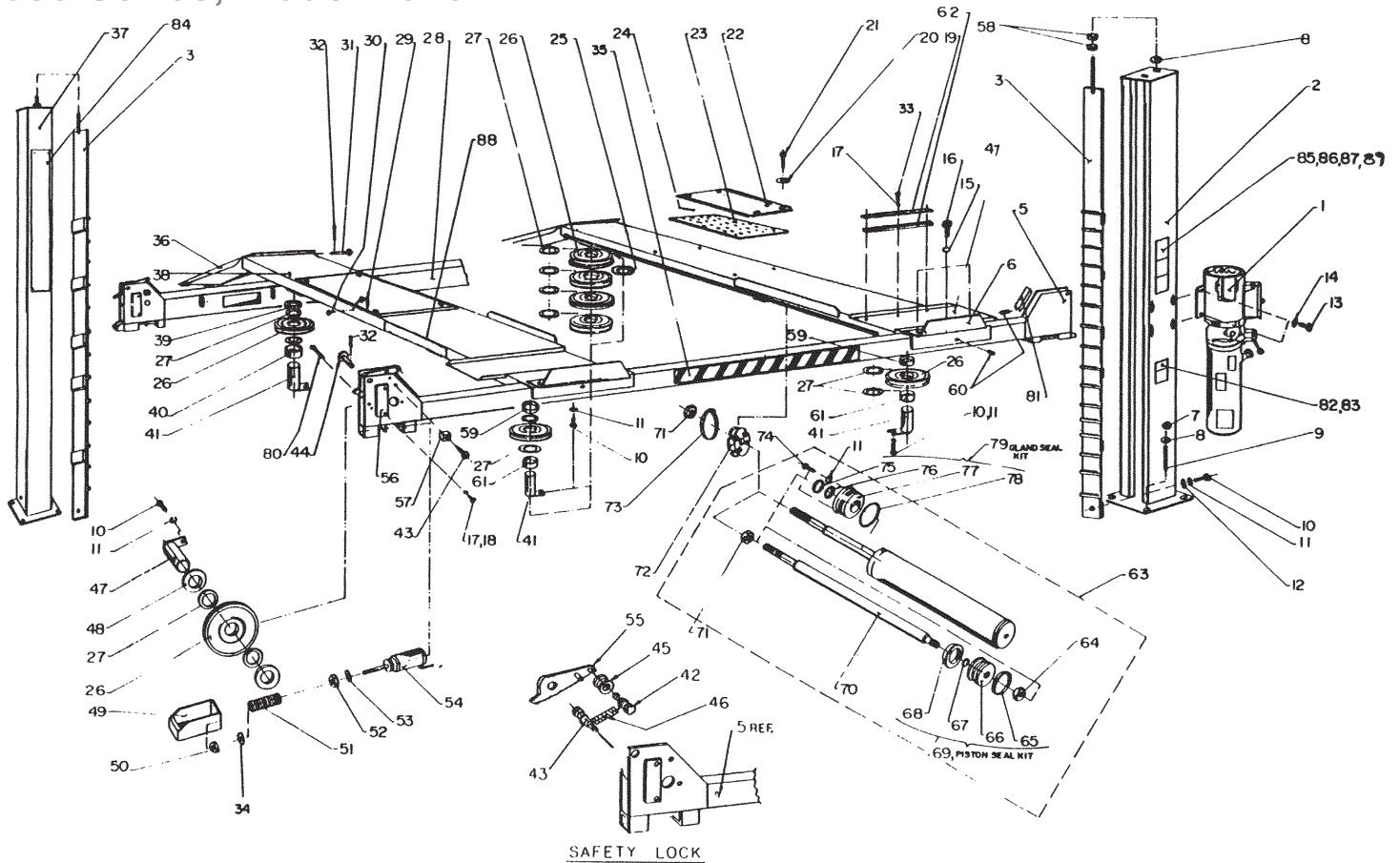
To Order Call: 800-321-8173 or 630-844-5566 / Fax: 800-899-1784 or 630-844-6770

All names, numbers, symbols and descriptions are used for reference purposes only. It is not implied that any part listed is the product of these manufactures, however, some parts may be the actual product of these manufactures.

# lift repair parts for Wheeltronic Ltd. lifts

## Quad Rack

### 10,000 Series, Model 10404



Item No.	SVI Part Number	Ref. OEM	Qty. Req.	Description
1	BH-7801-91	6-0650	1	Power Pack, 230V/1PH
2	BH-7799-40	4-0186	1	Power Post
3	BH-7799-43	4-0191	4	Safety Rack
4*	BH-7799-51	4-0222	1	Align. Deck, LH.
5	BH-7799-42	4-0190	1	Front Crossmember
6	BH-7795-04	2-0998	2	Front Wheel Stop
7	call	6-0737	16	Hex Nut, 3/4"-10
8	call	6-0738	20	Flatwasher, 3/4"
9	BH-7802-42	6-0736	16	Wedge Anchor, 3/4"- 10x4-3/4"
10	call	6-0668	12	Hex Hd. Bolt, 3/8"-16 x 1" GR. 8
11	call	6-0058	14	Lockwasher, 3/8"
12	call	6-0062	8	Flatwasher, 3/8"
13	call	6-0423	4	Hex Hd. Bolt, 5/16"- 18 x 3/4"
14	call	6-0674	4	Lockwasher, 5/16"
15	call	6-0059	6	Lockwasher, 1/2"
16	call	6-0045	6	Hex Hd. Blt., 1/2"-13 x 1"
17	call	6-0056	28	Lockwasher, 1/4"

Item No.	SVI Part Number	Ref. OEM	Qty. Req.	Description
18	call	6-0178	16	Hex Hd. Blt. 1/4"-20 x 3/4"
19	BH-7805-44	2-1041	4	Retaining Bar
20	call	6-0426	8	Flatwasher, 13/32" x 2"
21	call	6-0069	8	Shoulder Blt., 3/8" x 5/8"
22	BH-7796-49	3-0197	2	Rear Slip Plate
23	BH-7790-34	3-0196	2	Bearing Cage
24	BH-7790-35	6-0829	1 set	Ball Bearing
25	BH-7792-25	1-0787	1	1/2" Lg. Sheave Spacer
26	BH-7794-19	2-0557	11	Sheave Assembly
27	BH-7792-15	1-0757	21	Nylon Thrust Washer
28	BH-7799-41	4-0188	1	Rear Crossmember
29	BH-7794-37	2-0637	4	Locking Pin Assembly
30	call	6-0505	4	Self-Tap. Screw, #10 x 1/2"
31	BH-7791-19	1-0095	2	Ramp Pin
32	BH-7798-76	6-0115	6	Cotter Pin, 1/8" x 2"
<b>For Model 10400</b>				
*	BH-7799-60	4-0272	1	Service Deck, LH.

**To Order Call: 800-321-8173 or 630-844-5566 / Fax: 800-899-1784 or 630-844-6770**

All names, numbers, symbols and descriptions are used for reference purposes only. It is not implied that any part listed is the product of these manufactures, however, some parts may be the actual product of these manufacturers.

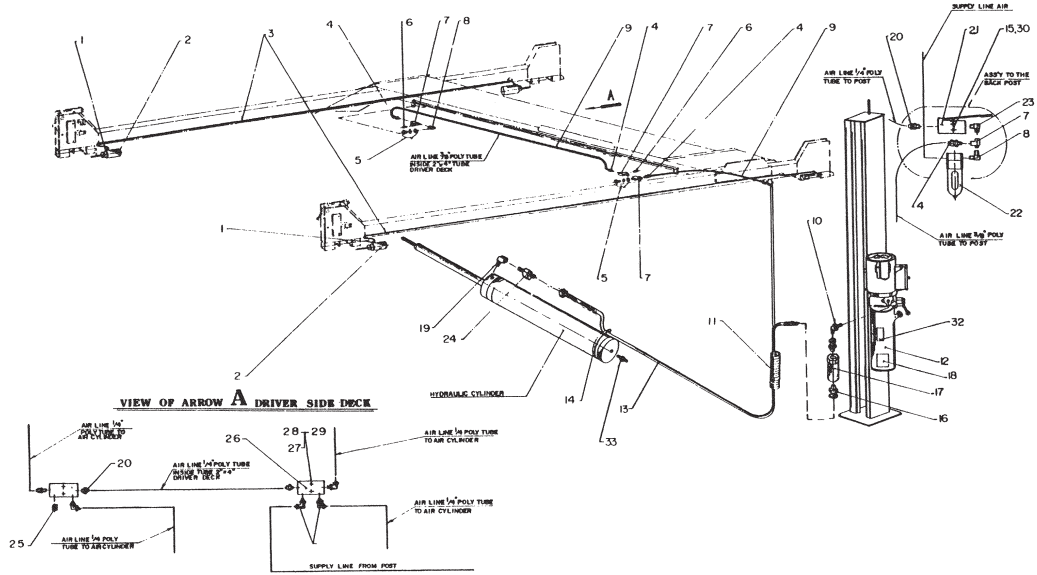






### lift repair parts for Wheeltronic Ltd. lifts

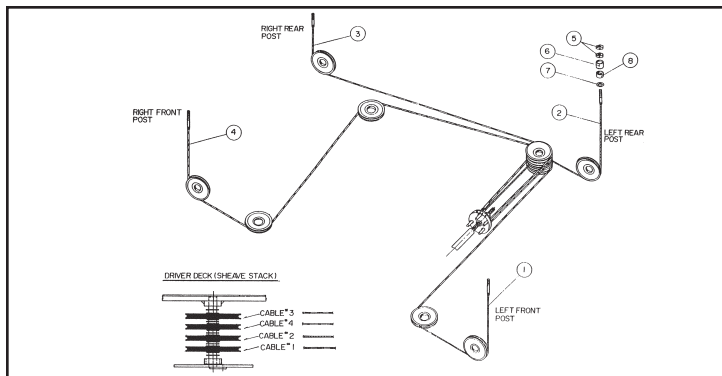
**Quad Rack  
10,000 Series  
Model 10404  
Hydraulics**



Item No.	SVI Part Number	Ref. OEM	Qty. Req.	Description
1	BH-7802-31	6-0709	8	90° Elbow, 1/8" NPT x 1/4" Poly Tube
2	BH-7798-03	6-0651	4	Air Cylinder
3	BH-7802-28	6-0706	50'	1/4" Poly Tube
4	BH-7802-32	6-0710	4	Adpt., 3/8" Poly Tube x 1/4"
NPT				
5	BH-7802-33	6-0713	2	Terminal Bolt, 3/4"
6	BH-7801-31	6-0282	2	Plug, 1/4" NPT
7	BH-7800-62	6-0014	4	1/4" NPT Street Tee
8	BH-7800-63	6-0015	2	1/4" NPT Street Elbow
9	BH-7802-29	6-0707	25'	3/8" Dia. Poly Tube
10	BH-7798-45	6-0804	1	90° Adpt., 3/8" JIC M x 9/16"-18M
11	BH-7802-34	6-0714	4'	Hose Guard
12	BH-7801-91	6-0650	1	Power Pack, 230V/1PH
13	BH-7802-35	6-0715	1	Hyd. Hose Assy., 3/8" Swivel x 3/8" JIC M, 147"
14	BH-7802-41	6-0731	3	Cable Tie
15	call	6-1095	2	Hex Nut, #8-32
16	BH-7802-68	6-0797	2	Adpt., 3/8" NPT M x 3/8" JIC F, Swivel

Item No.	SVI Part Number	Ref. OEM	Qty. Req.	Description
17	BH-7800-74	6-0090	1	Flow Control
18	BH-7805-100	6-0594	1	"Notice" Decal
19	BH-7802-67	6-0796	1	90° Elbow, 1/4" NPT M x 3/8" NPTF
20	BH-7802-30	6-0708	4	Adpt., 1/4" Poly Tube x 1/8" NPT
21	BH-7802-36	6-0717	1	Air Valve
22	BH-7801-13	6-0180	1	Air Filter
23	BH-7802-37	6-0718	1	90° Reducer, 1/4" NPT M x 1/8" NPT M
24	BH-7790-20	6-0025	1	Velocity Fuse
25	BH-7801-14	6-0182	1	Plug, 1/8" NPT
26	BH-7792-65	1-1057	2	Manifold
27	call	6-0205	4	Hex. Hd. Cap Screw, 1/4"-20 x 1-1/2"
28	BH-7798-13	6-0032	4	Hex Nut, 1/4"-20
29	call	6-0056	4	Lockwasher, 1/4"
30	call	6-1094	2	Phil. Hd. Screw, #8-32 x 1"
32	BH-7805-118	6-0593	1	"Lift Operation" Decal
33	BH-7801-30	6-0280	1	Adapter, 1/8" NPT M x

### Quad Rack, 10,000 Series, Model 10404 Cable Routing



Item No.	SVI Part Number	Ref. OEM	Qty. Req.	Description
1	BH-7794-38	2-0643	1	Cable Assy., 318" Lg. L.F.
2	BH-7794-39	2-0644	1	Cable Assy., 151" Lg. L.R.
3	BH-7794-40	2-0645	1	Cable Assy., 203" Lg. R.R.
4	BH-7794-41	2-0646	1	Cable Assy., 367" Lg. R.F.
5	call	6-0724	8	Hex Nut, 7/8"-14 UNF, GR.8
6	BH-7792-29	1-0800	4	Cable Spacer, 2"
7	call	6-0725	4	Flatwasher, 7/8"

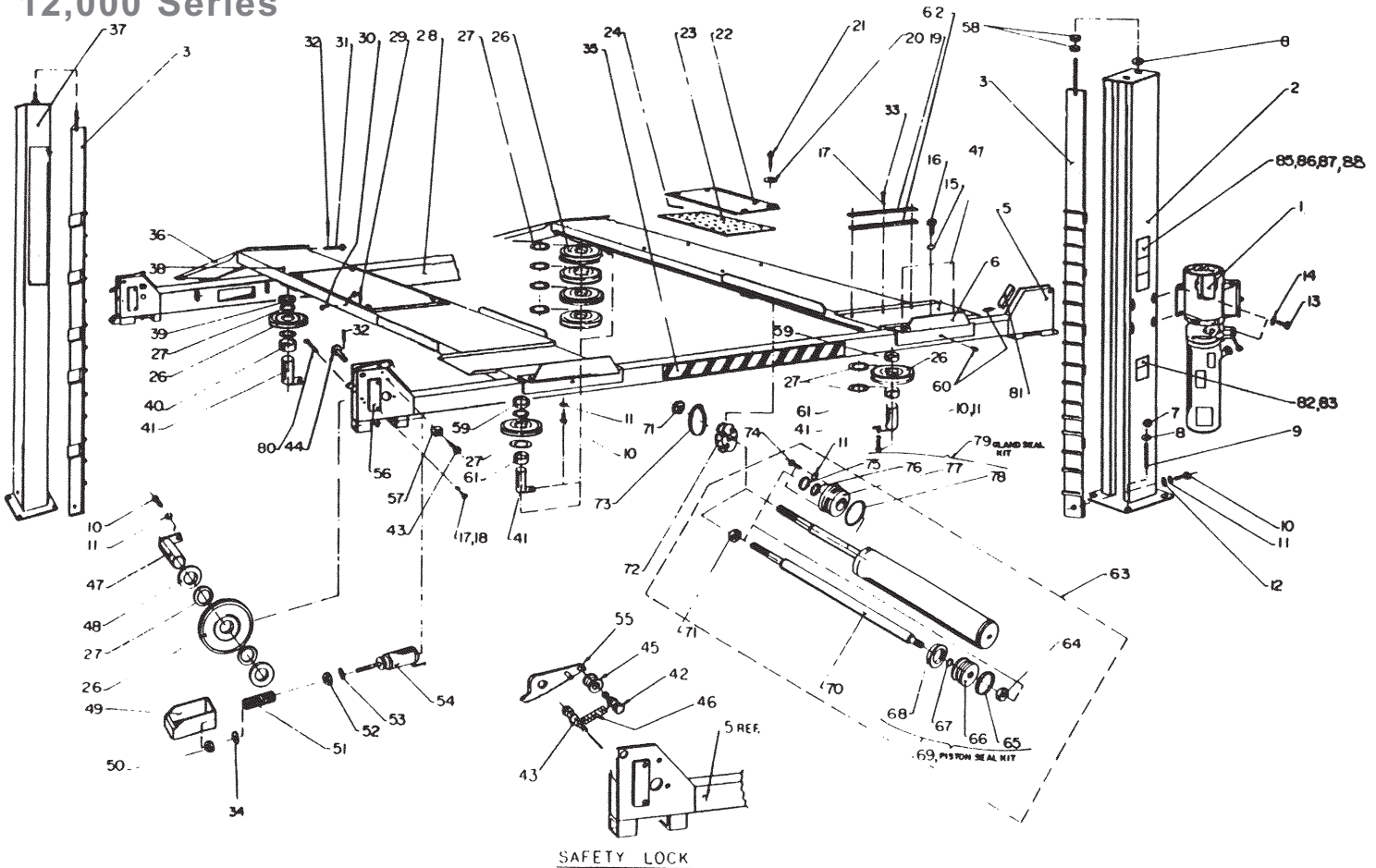
**To Order Call: 800-321-8173 or 630-844-5566 / Fax: 800-899-1784 or 630-844-6770**

All names, numbers, symbols and descriptions are used for reference purposes only. It is not implied that any part listed is the product of these manufactures, however, some parts may be the actual product of these manufacturers.



lift repair parts for Wheeltronic Ltd. lifts

Quad Rack  
12,000 Series



Item No.	SVI Part Number	Ref. OEM	Qty. Req.	Description
1	BH-7801-91	6-0650	1	Power Pack, 230V/1PH
2	BH-7799-40	4-0186	1	Power Post
3	BH-7799-43	4-0191	4	Safety Rack
4*	BH-7799-38	4-0183	1	Align. Deck, LH.
5	BH-7799-42	4-0190	1	Front Crossmember
6	BH-7795-04	2-0998	2	Front Wheel Stop
7	call	6-0737	16	Hex Nut, 3/4"-10
8	call	6-0738	20	Flatwasher, 3/4"
9	BH-7802-42	6-0736	16	Wedge Anchor, 3/4"- 10 x 4-3/4"
10	call	6-0668	12	Hex Hd. Bolt, 3/8"-16 x 1" GR. 8
11	call	6-0058	14	Lockwasher, 3/8"
12	call	6-0062	8	Flatwasher, 3/8"
13	call	6-0423	4	Hex Hd. Bolt, 5/16"- 18 x 3/4"
14	call	6-0674	4	Lockwasher, 5/16"
15	call	6-0059	6	Lockwasher, 1/2"
16	call	6-0045	6	Hex Hd. Blt., 1/2"-13 x 1"

Item No.	SVI Part Number	Ref. OEM	Qty. Req.	Description
17	call	6-0056	28	Lockwasher, 1/4"
18	call	6-0178	16	Hex Hd. Blt. 1/4"-20 x 3/4"
19	BH-7805-44	2-1041	4	Retaining Bar
20	call	6-0426	8	Flatwasher, 13/32" x 2"
21	call	6-0069	8	Shoulder Blt., 3/8" x 5/8"
22	BH-7796-49	3-0197	2	Rear Slip Plate
23	BH-7790-34	3-0196	2	Bearing Cage
24	BH-7790-35	6-0829	1 set	Ball Bearing
26	BH-7794-19	2-0557	11	Sheave Assembly
27	BH-7792-15	1-0757	21	Nylon Thrust Washer
28	BH-7799-41	4-0188	1	Rear Crossmember
29	BH-7794-37	2-0637	4	Locking Pin Assembly
30	call	6-0505	4	Self-Tap. Screw, #10 x 1/2"
31	BH-7791-19	1-0095	2	Ramp Pin
32	BH-7798-76	6-0115	6	Cotter Pin, 1/8" x 2"
<b>For Service Model</b>				
*	BH-7799-44	4-0195	1	Service Deck, LH.

To Order Call: 800-321-8173 or 630-844-5566 / Fax: 800-899-1784 or 630-844-6770

All names, numbers, symbols and descriptions are used for reference purposes only. It is not implied that any part listed is the product of these manufactures, however, some parts may be the actual product of these manufacturers.



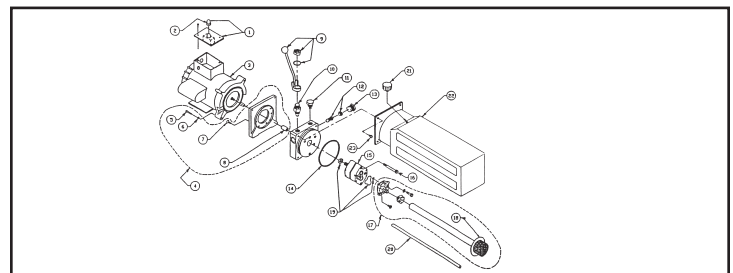
lift repair parts for Wheeltronic Ltd. lifts

Quad Rack, 12,000 Series — cont.

Item No.	SVI Part Number	Ref. OEM	Qty. Req.	Description
33	call	6-0027	12	Hex Hd. Bolt, 1/4"-20 x 1-1/4"
	34	call	8	Flatwasher, 1/4"
35	BH-7805-46	6-1125	2	"Caution" Tape (40")
36	BH-7796-61	3-0285	2	Approach Ramp
37	BH-7796-80	3-0347	3	Post
38**	BH-7799-39	4-0184	1	Align. Deck, RH.
39	BH-7792-27	1-0798	1	Sheave Spacer, 2-1/2"
40	BH-7792-26	1-0788	1	Sheave Spacer, 1-1/2"
41	BH-7794-23	2-0566	4	Deck Sheave Pin
42	BH-7790-31	6-0801	4	Shoulder Blt., 3/8" x 1-1/2"
43	call	6-0729	12	Shoulder Blt., 3/8" x 3/4"
44	BH-7792-20	1-0769	4	Lock Safety Pin
45	BH-7790-32	1-0766	4	Cable Roller
46	BH-7792-19	1-0768	4	Tension Spring
47	BH-7792-21	1-0771	4	Crossmember Sheave Pin
48	BH-7792-24	1-0786	8	Sheave Spacer, 13/32"
49	BH-7805-45	2-0890	4	Safety Shoe Weldment
50	call	6-1563	4	Hex Nylon Locknut, 1/4"-28 UNF
51	BH-7792-18	1-0767	4	Compression Spring
52	call	6-0662	4	Hex Nut, 5/8"-18 UNF
53	call	6-0663	4	Intern. Tooth Lockwasher, 5/8"
54	BH-7798-03	6-0651	4	Air Cyl., 5-1/2" Rod Lg. (Spr-12)
55	BH-7794-24	2-0567	4	Safety Lock
56	BH-7792-22	1-0775	8	Plastic Bracket
57	BH-7792-23	1-0776	8	Plastic Guide
58	call	6-0036	8	Hex Nut, 5/8"-11, GR. 8
59	BH-7792-28	1-0799	2	Sheave Spacer, 1-3/4"
60	call	6-0726	8	Set Screw, 1/2"-13 x 1" GR.8
61	BH-7792-58	1-0943	2	Sheave Spacer, 2"
62	BH-7794-73	2-0843	4	Spacer Bar

Item No.	SVI Part Number	Ref. OEM	Qty. Req.	Description
64	call	6-1160	1	Locknut, 7/8"-14UNF
65	BH-7800-55	6-0004	1	Wear Ring
66	BH-7794-21	2-0564	1	Piston
67	BH-7804-03	6-1305	1	"O" Ring
68	BH-7800-54	6-0003	1	Piston Seal
69	BH-7790-66	0-0169	1	Piston Seal Kit
70	BH-7794-22	2-0565	1	Piston Rod
71	call	6-0664	2	Hex Nut, 1"-14UNF-2A, GR.8
72	BH-7794-20	2-0561	1	Cable Flange
73	BH-7801-96	6-0665	1	Clamp
74	call	6-0666	2	Hex Hd. Blt., 3/8"-16 x 1-1/4" GR.8
75	BH-7801-92	6-0653	1	Rod Wiper
76	BH-7801-93	6-0654	1	Rod Seal
77	BH-7796-81	3-0348	1	Gland
78	BH-7801-94	6-0655	1	"O" Ring
79	BH-7790-67	0-0170	1	Gland Seal Kit
80	call	6-0730	4	Hex Hd. Blt., 3/8"-16 x 2-3/4"
81	BH-7794-25	2-0575	4	Sheave Cover
82	BH-7805-124	6-1115	1	Serial Tag
83	BH-7805-102	6-0996	1	"ALI/ETL" Tag
85	BH-7805-97	6-0592	1	"Caution" Decal
86	BH-7805-115	6-0351	1	"Safety Instructions" Decal
87	BH-7805-96	6-0595	1	"Warning" Decal
88	BH-7805-116	6-1637	1	"Attention" Decal
<b>For Service Model</b>				
*	BH-7799-44	4-0195	1	Service Deck, LH.
**	BH-7799-45	4-0196	1	Service Deck, RH.

1	BH-7802-93	6-0881	1	Microswitch & Wiring Assy.
2	BH-7803-68	6-1084	1	Microswitch Boot
3	BH-7802-53	6-0773	1	Motor 230V AC, 1 PH. 60 Hz
4	BH-7805-14	0-0197	1	Motor Adpt. Kit
5	call	6-1085	4	Skt. HD. Cap Scw., 1/4"-20 x 1-5/8"
6	call	6-0056	4	Lockwasher, 1/4"
7	call	6-1086	4	Allen Hd. Flat Scw., 1/4"-20 x 3/4"
8	BH-7802-54	6-0774	1	Coupling
9	BH-7802-56	6-0776	1	Rel. Bracket & Handle Assy.
10	BH-7802-92	6-0880	1	Valve Cartridge Release
11	BH-7803-69	6-1087	1	Valve Cartridge Check
12	BH-7804-04	6-1317	1	Fixed Relief Valve (RV 17)
13	BH-7803-71	6-1089	1	Relief Valve Cap
14	BH-7802-87	6-0875	1	Reservoir "O" Ring
15	BH-7802-60	6-0782	1	Pump Assy.
16	BH-7803-72	6-1090	2	Pump Mounting Bolt



17	BH-7790-76	0-0198	1	Inlet Plumbing Kit
18	BH-7802-64	6-0786	1	Inlet Hose/Filter Assy.
19	BH-7790-77	0-0199	1	Pump "O" Ring Kit
20	BH-7802-61	6-0783	1	Return Tube
21	BH-7802-62	6-0784	1	Breather Filler Cap
22	BH-7802-63	6-0785	1	Reservoir
23	BH-7803-73	6-1091	4	Reservoir Screw

To Order Call: 800-321-8173 or 630-844-5566 / Fax: 800-899-1784 or 630-844-6770

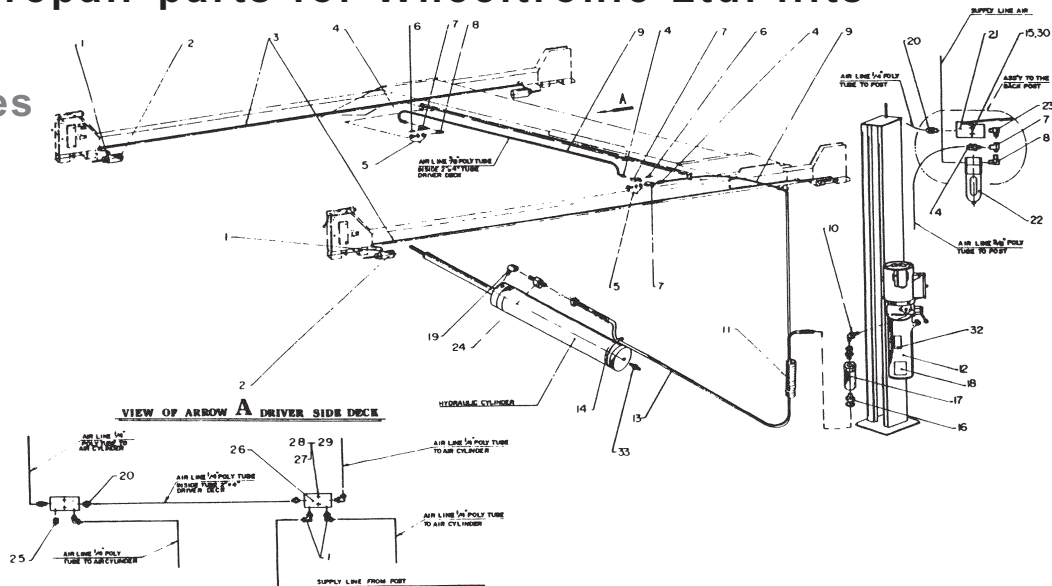
All names, numbers, symbols and descriptions are used for reference purposes only. It is not implied that any part listed is the product of these manufactures, however, some parts may be the actual product of these manufacturers.





## lift repair parts for Wheeltronic Ltd. lifts

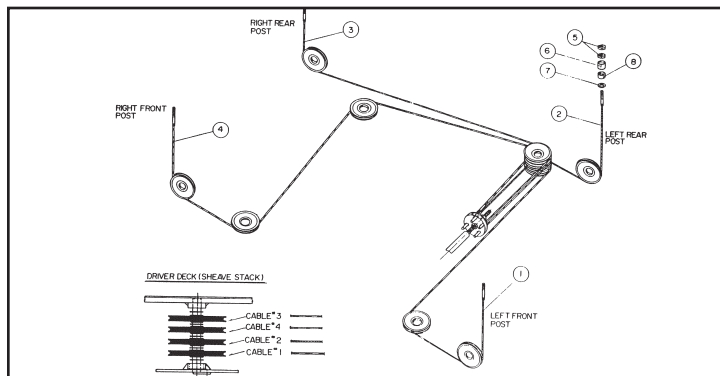
### Quad Rack 12,000 Series Hydraulics



Item No.	SVI Part Number	Ref. OEM	Qty. Req.	Description
1	BH-7802-31	6-0709	8	90° Elbow, 1/8" NPT x 1/4" Poly Tube
2	BH-7798-03	6-0651	4	Air Cylinder
3	BH-7802-28	6-0706	50'	1/4" Poly Tube
4	BH-7802-32	6-0710	4	Adpt., 3/8" Poly Tube x 1/4" NPT
5	BH-7802-33	6-0713	2	Terminal Bolt, 3/4"
6	BH-7801-31	6-0282	2	Plug, 1/4" NPT
7	BH-7800-62	6-0014	4	1/4" NPT Street Tee
8	BH-7800-63	6-0015	2	1/4" NPT Street Elbow
9	BH-7802-29	6-0707	25'	3/8" Poly Tube
10	BH-7798-45	6-0804	1	90° Adpt., 3/8" JIC M x 9/16"-18M
11	BH-7802-34	6-0714	4'	Hose Guard
12	BH-7801-91	6-0650	1	Power Pack, 230V/1PH
13	BH-7802-35	6-0715	1	Hyd. Hose Assy., 3/8" Swivel x 3/8" JIC M, 147"
14	BH-7802-41	6-0731	3	Cable Tie
15	call	6-1095	2	Hex Nut, #8-32
16	BH-7802-68	6-0797	2	Adpt., 3/8" NPT M x 3/8" JIC F, Swivel

Item No.	SVI Part Number	Ref. OEM	Qty. Req.	Description
17	BH-7800-74	6-0090	1	Flow Control
18	BH-7805-100	6-0594	1	"Notice" Decal
19	BH-7802-67	6-0796	1	90° Elbow, 1/4" NPT M x 3/8" NPT F
20	BH-7802-30	6-0708	4	Adpt., 1/4" Poly Tube x 1/8" NPT
21	BH-7802-36	6-0717	1	Air Valve
22	BH-7801-13	6-0180	1	Air Filter
23	BH-7802-37	6-0718	1	90° Reducer, 1/4" NPT M x 1/8" NPT M
24	BH-7790-20	6-0025	1	Velocity Fuse
25	BH-7801-14	6-0182	1	Plug, 1/8" NPT
26	BH-7792-65	1-1057	2	Manifold
27	call	6-0205	4	Hex. Hd. Cap Screw, 1/4"-20 x 1-1/2"
28	BH-7798-13	6-0032	4	Hex Nut, 1/4"-20
29	call	6-0056	4	Lockwasher, 1/4"
30	call	6-1094	2	Phil. Hd. Screw, #8-32 x 1"
32	BH-7805-118	6-0593	1	"Lift Operation" Decal
33	BH-7801-30	6-0280	1	Adpt., 1/8" NPT M x 1/4" JIC M

### Quad Rack, 12,000 Series, Cable Routing



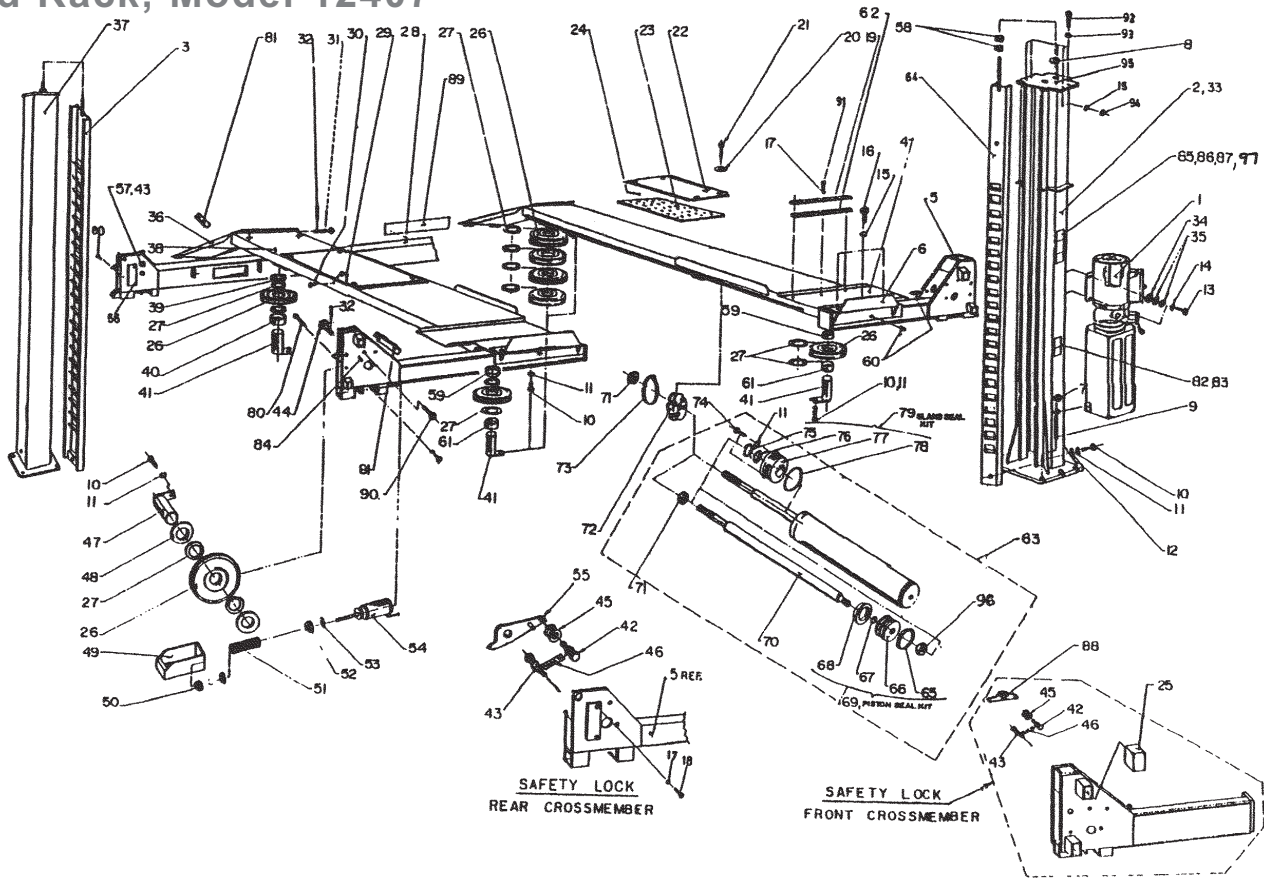
Item No.	SVI Part Number	Ref. OEM	Qty. Req.	Description
1	BH-7794-14	2-0539	1	Cable Assy., 376" Lg. L.F.
2	BH-7794-15	2-0540	1	Cable Assy., 181" Lg. L.R.
3	BH-7794-16	2-0541	1	Cable Assy., 233" Lg. R.R.
4	BH-7794-17	2-0542	1	Cable Assy., 427" Lg. R.F.
5	call	6-0724	8	Hex Nut, 7/8"-14 UNF, GR. 8
6	BH-7792-29	1-0800	4	Cable Spacer, 2"
7	call	6-0725	4	Flatwasher, 7/8"

To Order Call: 800-321-8173 or 630-844-5566 / Fax: 800-899-1784 or 630-844-6770

All names, numbers, symbols and descriptions are used for reference purposes only. It is not implied that any part listed is the product of these manufactures, however, some parts may be the actual product of these manufacturers.

# lift repair parts for Wheeltronic Ltd. lifts

## Quad Rack, Model 12407



Item No.	SVI Part Number	Ref. OEM	Qty. Req.	Description
----------	-----------------	----------	-----------	-------------

Item No.	SVI Part Number	Ref. OEM	Qty. Req.	Description
----------	-----------------	----------	-----------	-------------

1	BH-7804-16	6-1398	1	Power Pack, 230V/1PH
2	BH-7799-89	4-0429	1	LH. Power Post
3	BH-7790-37	3-0487	2	Safety Rack (Rear)
4	BH-7799-38	4-0183	1	LH. Alignment Deck
5	BH-7799-74	4-0366	1	LH. Front Crossmember
6	BH-7795-04	2-0998	2	Front Wheel Stop
7	call	6-0737	22	Hex Nut, 3/4"-10
8	call	6-0738	26	Flatwasher, 3/4"
9	BH-7798-77	6-1379	22	Wedge Anchor, 3/4"-10 x 5-1/2"
10	call	6-0668	14	Hex Hd. Blt., 3/8"-16 x 1" GR.8
11	call	6-0058	16	Lockwasher, 3/8"
12	call	6-0062	6	Flatwasher, 3/8"
13	call	6-0293	4	Hex Hd. Blt., 5/16"-18 x 1"
14	call	6-0674	4	Lockwasher, 5/16"
15	call	6-0059	16	Lockwasher, 1/2"
16	call	6-0045	6	Hex Hd. Blt., 1/2"-13 x 1"
17	call	6-0056	20	Lockwasher, 1/4"
18	call	6-0178	8	Hex Hd. Blt., 1/4"-20 x 3/4"
19	BH-7794-35	2-0635	4	Retaining Bar
20	call	6-0426	8	Flatwasher, 2" x 13/32" x 3/32"
21	call	6-0069	8	Shoulder Bolt, 3/8" x 5/8"
22	BH-7796-49	3-0197	2	Full Floating Rear Slip Plate

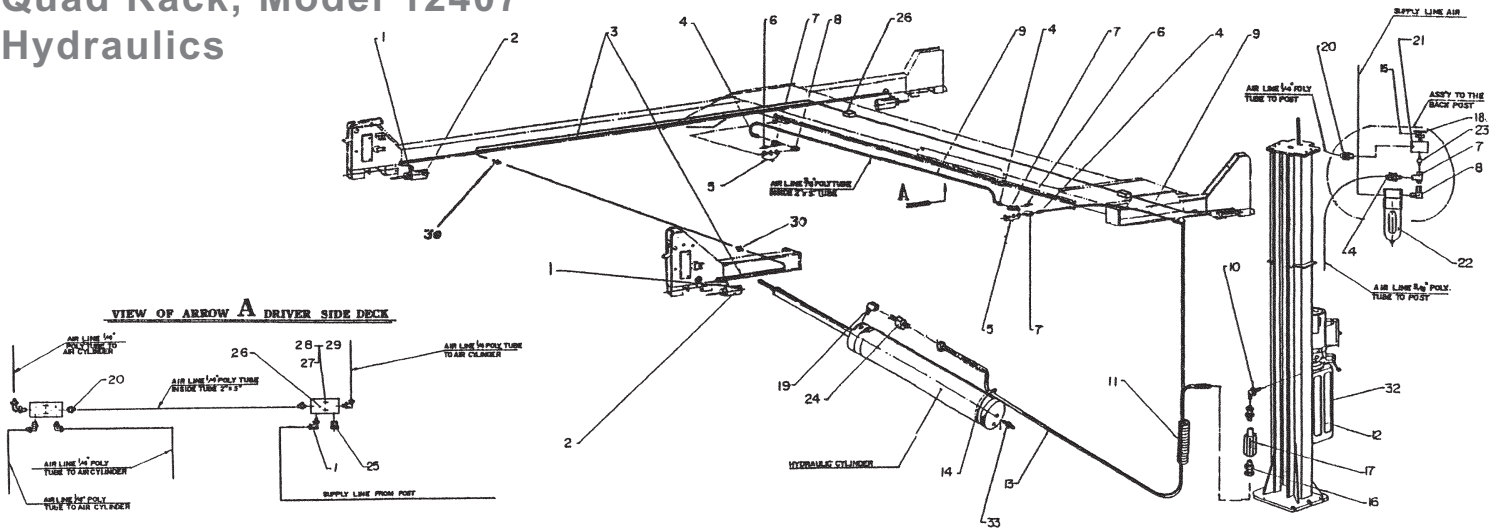
23	BH-7790-34	3-0196	2	Bearing Cage
24	BH-7790-35	6-0829	1Set	1/4" Ball Bearing
25	BH-7790-19	2-0772	8	Glide Bearing
26	BH-7794-19	2-0557	11	Sheave Assy.
27	BH-7792-15	1-0757	21	Nylon Thrust Washer
28	BH-7799-41	4-0188	1	Rear Crossmember
29	BH-7794-37	2-0637	4	Locking Pin Assy.
30	call	6-0505	4	Self Tap. Screw, #10 x 1/2"
31	BH-7791-19	1-0095	2	Ramp Pin
32	BH-7798-76	6-0115	6	Cotter Pin, 1/8" x 2"
33	BH-7799-90	4-0430	1	Post Weldment, F.R.
34	call	6-0294	4	Hex Nut, 5/16" GR.5
35	BH-7798-12	6-0295	8	Flatwasher, 5/16"
36	BH-7796-61	3-0285	2	Approach Ramp
37	BH-7796-80	3-0347	2	Rear Post
38	BH-7799-39	4-0184	1	Align. Deck, RH.
39	BH-7792-27	1-0798	1	Sheave-Spacer, 2-1/2"
40	BH-7792-26	1-0788	1	Sheave-Spacer, 1-1/4"
41	BH-7794-23	2-0566	4	Deck Sheave Pin
42	BH-7790-31	6-0801	4	Shoulder Bolt, 3/8" x 1-1/2"
43	call	6-0729	8	Shoulder Bolt, 3/8" x 3/4"
44	BH-7792-91	1-1234	4	Lock Safety Pin

**To Order Call: 800-321-8173 or 630-844-5566 / Fax: 800-899-1784 or 630-844-6770**

All names, numbers, symbols and descriptions are used for reference purposes only. It is not implied that any part listed is the product of these manufactures, however, some parts may be the actual product of these manufacturers.

## lift repair parts for Wheeltronic Ltd. lifts

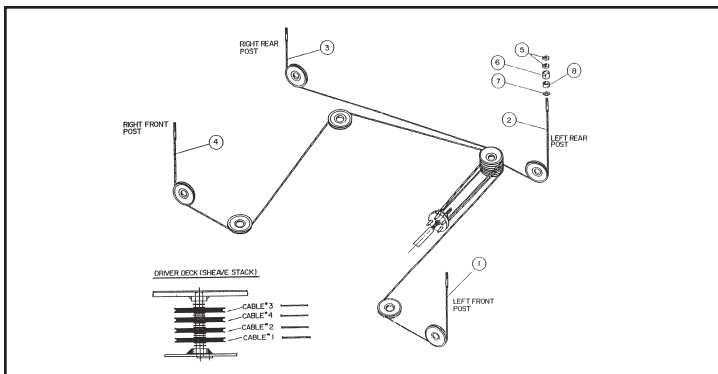
### Quad Rack, Model 12407 Hydraulics



Item No.	SVI Part Number	Ref. OEM	Qty. Req.	Description
1	BH-7802-31	6-0709	9	90° Elbow, 1/8" NPT x 1/4" Poly Tube
2	BH-7798-03	6-0651	4	Air Cylinder
3	BH-7802-28	6-0706	50'	1/4" Poly Tube
4	BH-7802-32	6-0710	4	Adpt., 3/8" Poly Tube x 1/4" NPT
5	BH-7802-33	6-0713	2	Terminal Bolt, 3/4"
6	BH-7801-31	6-0282	2	Plug, 1/4" NPT
7	BH-7800-62	6-0014	4	1/4" NPT Street Tee
8	BH-7800-63	6-0015	2	1/4" NPT Street Elbow
9	BH-7802-29	6-0707	25'	3/8" Poly Tube
10	BH-7798-45	6-0804	1	90° Elbow, 3/8" JIC M x 9/16" M
11	BH-7802-34	6-0714	4'	Hose Guard
12	BH-7801-91	6-0650	1	Power Pack 230V/1PH
13	BH-7802-35	6-0715	1	Hyd. Hose, Assy., 3/8" Swivel x 3/8" JIC M, 147"
14	BH-7802-41	6-0731	3	Cable Tie
15	call	6-1051	1	Socket Hd. Set Screw
16	BH-7802-68	6-0797	2	Adpt., 3/8" NPT M x 3/8" JIC F Swivel

Item No.	SVI Part Number	Ref. OEM	Qty. Req.	Description
17	BH-7800-74	6-0090	1	Flow Control
18	BH-7803-51	6-1052	1	Button
19	BH-7802-67	6-0796	1	90° Elbow, 1/4" NPT M x 3/8" NPT F
20	BH-7802-30	6-0708	3	Adpt., 1/4" Poly Tube x 1/8" NPT
21	BH-7803-52	6-1055	1	Air Valve Assy.
22	BH-7801-13	6-0180	1	Air Filter
23	BH-7805-48	6-1382	1	Adpt., 1/4" NPT M x 1/8" NPT M
24	BH-7790-20	6-0025	1	Velocity Fuse
25	BH-7801-14	6-0182	1	Plug, 1/8" NPT
26	BH-7792-65	1-1057	2	Manifold
27	call	6-0177	4	Hex Hd. Cap Screw, 1/4"-20 x 2"
28	BH-7798-13	6-0032	4	Hex Nut, 1/4"-20
29	call	6-0056	4	Lockwasher, 1/4"
30	BH-7802-43	6-0747	2	1/4" Polytube Adpt.
32	BH-7805-118	6-0593	1	"Lift Operation" Decal
33	BH-7801-30	6-0280	1	Adpt., 1/8" NPT M x 1/4" JIC M

### Cable Routing



Item No.	SVI Part Number	Ref. OEM	Qty. Req.	Description
1	BH-7795-54	2-1287	1	Cable Assy., 387" L.F.
2	BH-7794-15	2-0540	1	Cable Assy., 178" L.R.
3	BH-7794-16	2-0541	1	Cable Assy., 234" R.R.
4	BH-7795-55	2-1288	1	Cable Assy., 442" R.F.
5	call	6-0724	8	Hex Nut, 7/8"-14 UNF, GR. 8
6	BH-7792-29	1-0800	4	Cable Spacer, 2"
7	call	6-0725	4	Flatwasher, 7/8"

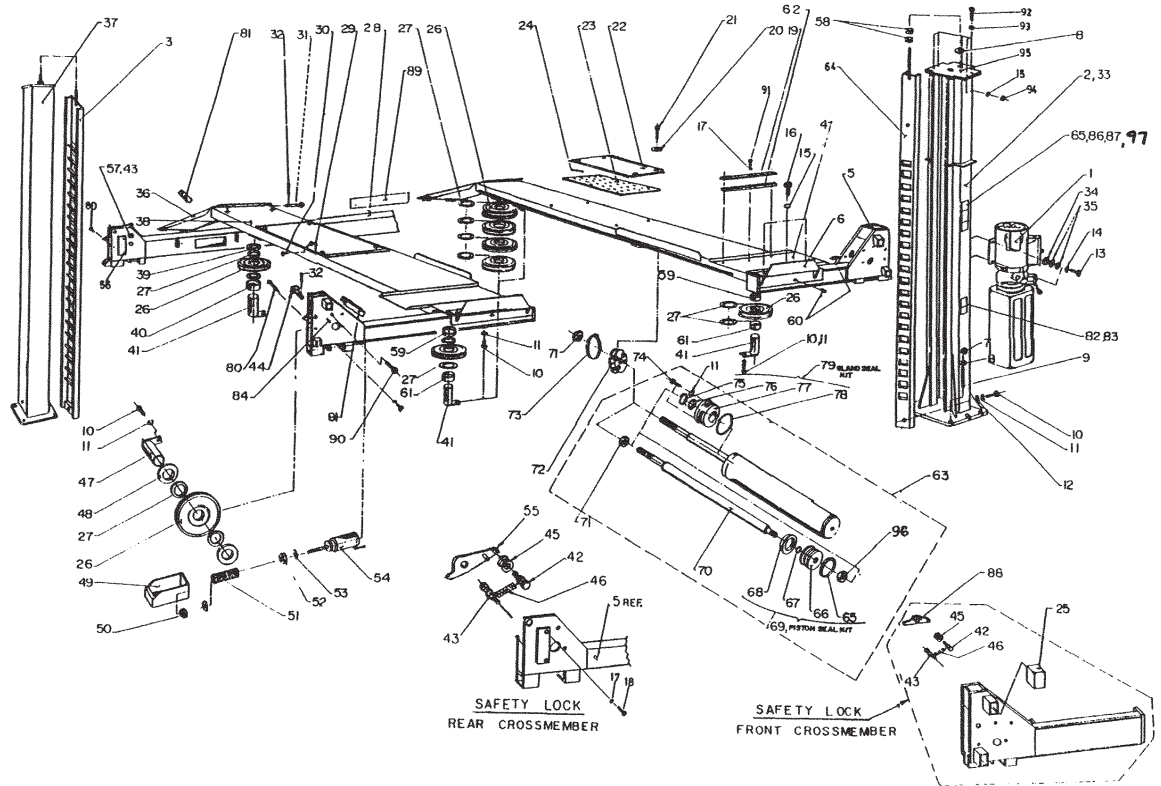
**To Order Call: 800-321-8173 or 630-844-5566 / Fax: 800-899-1784 or 630-844-6770**

All names, numbers, symbols and descriptions are used for reference purposes only. It is not implied that any part listed is the product of these manufactures, however, some parts may be the actual product of these manufacturers.



lift repair parts for Wheeltronic Ltd. lifts

Quad Rack,  
Oracle,  
Model 14407



Item No.	SVI Part Number	Ref. OEM	Qty. Req.	Description
1	BH-7801-91	6-0650	1	Power Pack, 230V/1PH
1*	BH-7804-16	6-1398	1	Power Pack, 230V/1PH/3 HP
2	BH-7799-89	4-0429	1	LH. Power Post
3	BH-7790-37	3-0487	2	Safety Rack (Rear)
4	BH-7799-95	4-0437	1	LH. Alignment Deck
5	BH-7799-74	4-0366	1	LH. Front Crossmember
6	BH-7795-04	2-0998	2	Front Wheel Stop
7	call	6-0737	22	Hex Nut, 3/4"-10
8	call	6-0738	26	Flatwasher, 3/4"
9	BH-7798-77	6-1379	22	Wedge Anchor, 3/4"-10 x 5-1/2"
10	call	6-0668	14	Hex Hd. Blt., 3/8"-16 x 1" GR.8
11	call	6-0058	16	Lockwasher, 3/8"
12	call	6-0062	6	Flatwasher, 3/8"
13	call	6-0293	4	Hex Hd. Blt., 5/16"-18 x 1"
14	call	6-0674	4	Lockwasher, 5/16"
15	call	6-0059	16	Lockwasher, 1/2"
16	call	6-0045	6	Hex Hd. Blt., 1/2"-13 x 1"
17	call	6-0056	20	Lockwasher, 1/4"
18	call	6-0178	8	Hex Hd. Blt., 1/4"-20 x 3/4"
19	BH-7794-35	2-0635	4	Retaining Bar
19*	BH-7795-76	2-1391	4	Retaining Bar
20	call	6-0426	8	Flatwasher, 2" x 13/32" x 3/32"
21	call	6-0069	8	Shoulder Bolt, 3/8" x 5/8"
22	BH-7796-49	3-0197	2	Full Floating Rear Slip Plate
23	BH-7790-34	3-0196	2	Bearing Cage
24	BH-7790-35	6-0829	1Set	1/4" Ball Bearing

Item No.	SVI Part Number	Ref. OEM	Qty. Req.	Description
25	BH-7790-19	2-0772	8	Glide Bearing
26	BH-7794-19	2-0557	11	Sheave Assy.
27	BH-7792-15	1-0757	21	Nylon Thrust Washer
28	BH-7799-76	4-0371	1	Rear Crossmember
29	BH-7794-37	2-0637	4	Locking Pin Assy.
30	call	6-0505	4	Self Tap. Screw, #10 x 1/2"
31	BH-7791-19	1-0095	2	Ramp Pin
32	BH-7798-76	6-0115	6	Cotter Pin, 1/8" x 2"
33	BH-7799-90	4-0430	1	Post Weldment, F.R.
34	call	6-0294	4	Hex Nut, 5/16" GR.5
35	BH-7798-12	6-0295	8	Flatwasher, 5/16"
36	BH-7796-61	3-0285	2	Approach Ramp
37	BH-7797-14	3-0514	2	Rear Post
38	BH-7799-96	4-0438	1	Align. Deck, RH.
39	BH-7792-27	1-0798	1	Sheave-Spacer, 2-1/2"
40	BH-7792-26	1-0788	1	Sheave-Spacer, 1-1/4"
41	BH-7794-23	2-0566	4	Deck Sheave Pin
41*	BH-7795-08	2-1008	4	Deck Sheave Pin
42	BH-7790-31	6-0801	4	Shoulder Bolt, 3/8" x 1-1/2"
43	call	6-0729	8	Shoulder Bolt, 3/8" x 3/4"
44	BH-7792-91	1-1234	4	Lock Safety Pin
45	BH-7790-32	1-0766	4	Cable Roller
46	BH-7792-19	1-0768	4	Tension Spring
47	BH-7792-92	1-1237	4	Crossmember Sheave Pin

\* Indicates from July, 2001 Version

To Order Call: 800-321-8173 or 630-844-5566 / Fax: 800-899-1784 or 630-844-6770

All names, numbers, symbols and descriptions are used for reference purposes only. It is not implied that any part listed is the product of these manufactures, however, some parts may be the actual product of these manufacturers.



## lift repair parts for Wheeltronic Ltd. lifts

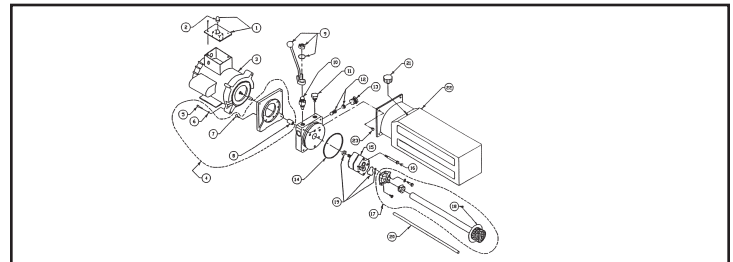
### Quad Rack, Oracle, Model 14407 – cont.

Item No.	SVI Part Number	Ref. OEM	Qty. Req.	Description
48	BH-7792-24	1-0786	8	Sheave Spacer, 3/8"
49	BH-7790-38	2-0990	4	Safety Shoe Weldment
50	call	6-1563	4	Hex Nylon Locknut, 1/4"-28
51	BH-7792-18	1-0767	4	Compression Spring
52	call	6-0662	4	Hex Nut, 5/8"-18
53	call	6-0663	4	5/8" Int. Tooth Lockwasher
54	BH-7798-03	6-0651	4	Air Cyl. (Clippard #SRR-12-2-SP: 5-1/2" Rod Ext.)
55	BH-7794-24	2-0567	2	Lock-Safety
55*	BH-7794-24	2-0567	1	Lock-Safety L.S.
55*	BH-7795-89	2-1475	1	Lock-Safety R.S.
56	BH-7792-22	1-0775	4	Plastic Bracket
57	BH-7792-23	1-0776	4	Plastic Guide
58	call	6-0673	8	Hex Nut, 5/8"-11 GR.8
59	BH-7792-28	1-0799	2	Sheave-Spacer, 1-3/4"
60	call	6-0726	8	Set Screw, 1/2"-13 x 1" GR.8
61	BH-7792-58	1-0943	2	Sheaver-Spacer, 2"
62	BH-7794-36	2-0636	4	Spacer Bar
62*	call	6-0060	16	Flatwasher, 1/4" x 3/4", Plated
63	BH-7799-80	4-0393	1	Hydraulic Cyl., 3.5"
64	BH-7797-36	3-0581	2	Safety Rack
65	BH-7800-55	6-0004	1	Wear Ring, 3/8" x 1/8" x 3-1/2"
66	BH-7795-11	2-1035	1	Piston
67	BH-7804-36	6-1585	1	"O" Ring, 1-1/4" x 1" x 1/8"
68	BH-7800-54	6-0003	1	Piston Seal, 3-1/2" x 3" x 3/8"
69	BH-7790-82	0-0241	1	Piston Seal Kit
70	BH-7795-12	2-1036	1	Piston Rod (Machined)
71	call	6-1454	2	Hex Nut, 1-1/4"-12 UNF-2A

Item No.	SVI Part Number	Ref. OEM	Qty. Req.	Description
72	BH-7795-13	2-1037	1	Cable Flange
73	BH-7801-96	6-0665	1	Hose Clamp, 4-1/2"
74	call	6-0666	2	Hex Blt., 3/8"-16 x 1-1/4" GR.8
75	BH-7805-47	6-1303	1	Rod Wiper, 1-1/2" x 1-7/8"
75*	BH-7800-52	6-0001	1	Rod Wiper, 1-1/2" x 1-7/8"
76	BH-7804-02	6-1304	1	Rod Seal, 1-1/2" x 1-7/8" x 3/16"
77	BH-7797-17	3-0522	1	Gland
78	BH-7801-94	6-0655	1	"O" Ring, 3-1/2" x 1/8"
79	BH-7790-83	0-0242	1	Gland Seal Kit
80	call	6-1386	4	Hex Hd. Blt., 3/8"-16 x 3"
81	BH-7795-03	2-0997	4	Sheave Cover
82	BH-7805-125	6-1306	1	Serial Tag
83	BH-7805-126	6-0988	1	"ALI" Plate
84	BH-7799-75	4-0368	1	RH. Front Crossmember
85	BH-7805-97	6-0592	1	"Caution" Decal
86	BH-7805-115	6-0351	1	"Safety Instructions" Decal
87	BH-7805-96	6-0595	1	"Warning" Decal
88	BH-7794-99	2-0980	2	Lock Safety
88*	BH-7794-99	2-0980	1	Lock Safety, L.S.
88*	BH-7795-79	2-1426	1	Lock Safety, R.S.
89	BH-7805-46	6-1125	1	"Caution" Tape, (40" Lg.)
90	call	6-1381	2	Hex Hd. Bolt, 1/2"-13 x 3"
91	call	6-0027	12	Hex Hd. Bolt, 1/4"-20 x 1-1/4"
92	call	6-0769	10	Hex Hd. Bolt, 1/2"-13 x 2"
93	BH-7798-25	6-0248	10	Flatwasher, 1/2"
94	call	6-0035	10	Hex Nut, 1/2"-13
95	BH-7795-28	2-1125	2	Top Plate
96	call	6-1453	1	Locknut, 1-1/4"-12
97	BH-7805-116	6-1637	1	"Attention" Decal
98*	BH-7793-32	1-1766	1	Keeper Washer, 2" x 1/4"

### Quad Rack, Oracle, Model 14407, Power Pack

1	BH-7802-93	6-0881	1	Microswitch & Wire Assy.
2	BH-7803-68	6-1084	1	Microswitch Boot
3	BH-7802-53	6-0773	1	Motor 230V AC, 1 PH. 60 Hz
4	BH-7805-14	0-0197	1	Motor Adapter Kit
5	call	6-1085	4	Skt. HD. Cap Scw. 1/4"-20 x 1-5/8"
6	call	6-0056	4	Lockwasher, 1/4"
7	call	6-1086	4	Allen Hd. Flat Scw. 1/4"-20 x 3/4"
8	BH-7802-54	6-0774	1	Coupling
9	BH-7802-56	6-0776	1	Rel. Bracket & Handle Assy.
10	BH-7802-92	6-0880	1	Valve Cartridge Release
11	BH-7803-69	6-1087	1	Valve Cartridge Check
12	BH-7804-04	6-1317	1	Fixed Relief Valve (RV 17)
13	BH-7803-71	6-1089	1	Relief Valve Cap
14	BH-7802-87	6-0875	1	Reservoir "O" Ring



17	BH-7790-76	0-0198	1	Inlet Plumbing Kit
18	BH-7802-64	6-0786	1	Inlet Hose/Filter Assy.
19	BH-7790-77	0-0199	1	Pump "O" Ring Kit
20	BH-7802-61	6-0783	1	Return Tube
21	BH-7802-62	6-0784	1	Breather-Filler Cap
22	BH-7802-63	6-0785	1	Reservoir
23	BH-7803-73	6-1091	4	Reservoir Screw

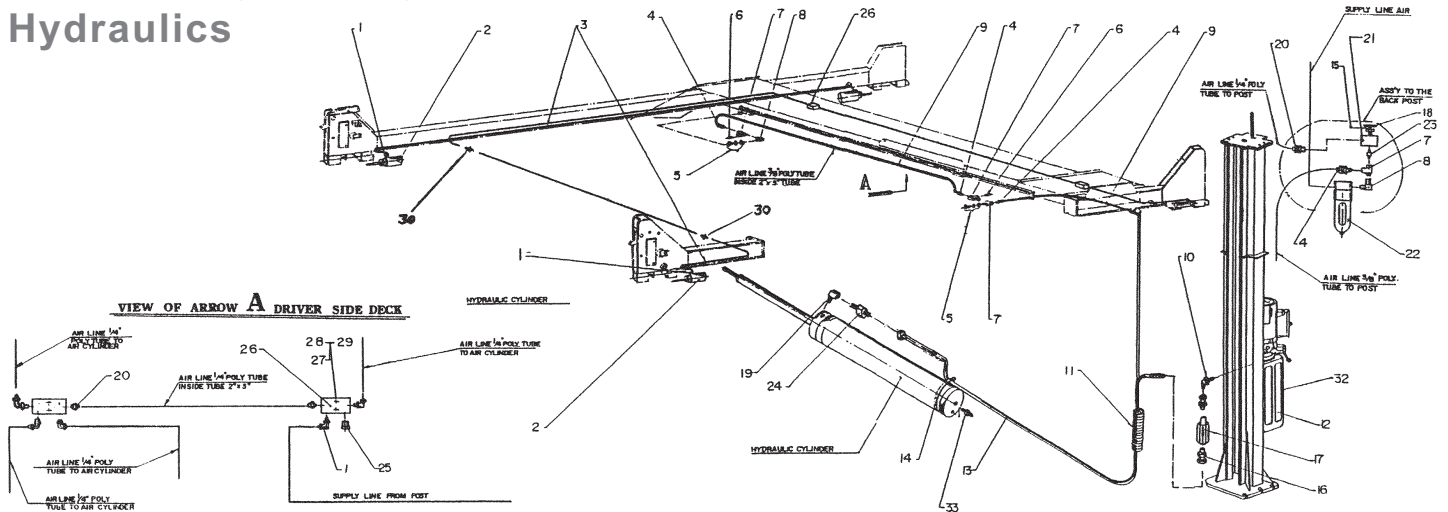
**To Order Call: 800-321-8173 or 630-844-5566 / Fax: 800-899-1784 or 630-844-6770**

All names, numbers, symbols and descriptions are used for reference purposes only. It is not implied that any part listed is the product of these manufactures, however, some parts may be the actual product of these manufacturers.



lift repair parts for Wheeltronic Ltd. lift

Quad Rack, Oracle, Model 14407  
Hydraulics

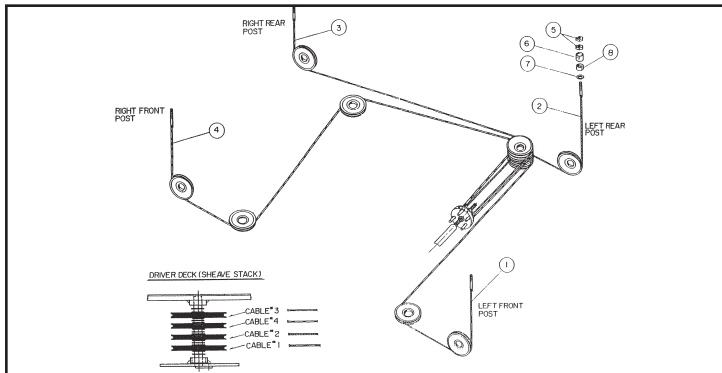


Item No.	SVI Part Number	Ref. OEM	Qty. Req.	Description
1	BH-7802-31	6-0709	9	90° Elbow, 1/8" NPT x 1/4" Poly Tube
2	BH-7798-03	6-0651	4	Air Cylinder
3	BH-7802-28	6-0706	50'	1/4" Poly Tube
4	BH-7802-32	6-0710	4	Adpt., 3/8" Poly Tube x 1/4" NPT
5	BH-7802-33	6-0713	2	Terminal Bolt, 3/4"
6	BH-7801-31	6-0282	2	Plug, 1/4" NPT
7	BH-7800-62	6-0014	4	1/4" NPT Street Tee
8	BH-7800-63	6-0015	2	1/4" NPT Street Elbow
9	BH-7802-29	6-0707	25'	3/8" Poly Tube
10	BH-7798-45	6-0804	1	90° Elbow, 3/8" JIC M x 9/16" M
11	BH-7802-34	6-0714	4'	Hose Guard
12	BH-7801-91	6-0650	1	Power Pack 230V/1PH
12*	BH-7804-16	6-1398	1	Power Pack 230V/1PH/3PH
13	BH-7802-35	6-0715	1	Hyd. Hose, Assy., 3/8" Swivel x 3/8" JIC M, 147"
14	BH-7802-41	6-0731	3	Cable Tie
15	call	6-1051	1	Socket Hd. Set Screw
15*	BH-7795-77	2-1394	1	Air Valve & Filter Assy.
16	BH-7802-68	6-0797	2	Adpt., 3/8" NPT M x 3/8" JIC F Swivel
17	BH-7800-74	6-0090	1	Flow Control

Item No.	SVI Part Number	Ref. OEM	Qty. Req.	Description
18	BH-7803-51	6-1052	1	Button
18*	BH-7804-94	6-1775	1	Air Valve
19	BH-7802-67	6-0796	1	90° Elbow, 1/4" NPT M x 3/8" NPT F
20	BH-7802-30	6-0708	3	Adpt., 1/4" Poly Tube x 1/8" NPT
21	BH-7803-52	6-1055	1	Air Valve Assy.
21*	BH-7804-95	6-1777	1	Air Valve Pushbutton Kit
22	BH-7801-13	6-0180	1	Air Filter
23	BH-7805-48	6-1382	1	Adpt., 1/4" NPT M x 1/8" NPT M
23*	BH-7790-86	0-0405	1	Air Valve Fitting Kit
24	BH-7790-20	6-0025	1	Velocity Fuse
25	BH-7801-14	6-0182	1	Plug, 1/8" NPT
26	BH-7792-65	1-1057	2	Manifold
27	call	6-0177	4	Hex Hd. Cap Screw, 1/4"-20 x 2"
28	BH-7798-13	6-0032	4	Hex Nut, 1/4"-20
29	call	6-0056	4	Lockwasher, 1/4"
30	BH-7802-43	6-0747	2	1/4" Poly Tube Adpt.
32	BH-7805-118	6-0593	1	"Lift Operation" Decal
33	BH-7801-30	6-0280	1	Adpt., 1/8" NPT M x 1/4" JIC M

\* Indicates July, 2001 Version

Cable Routing



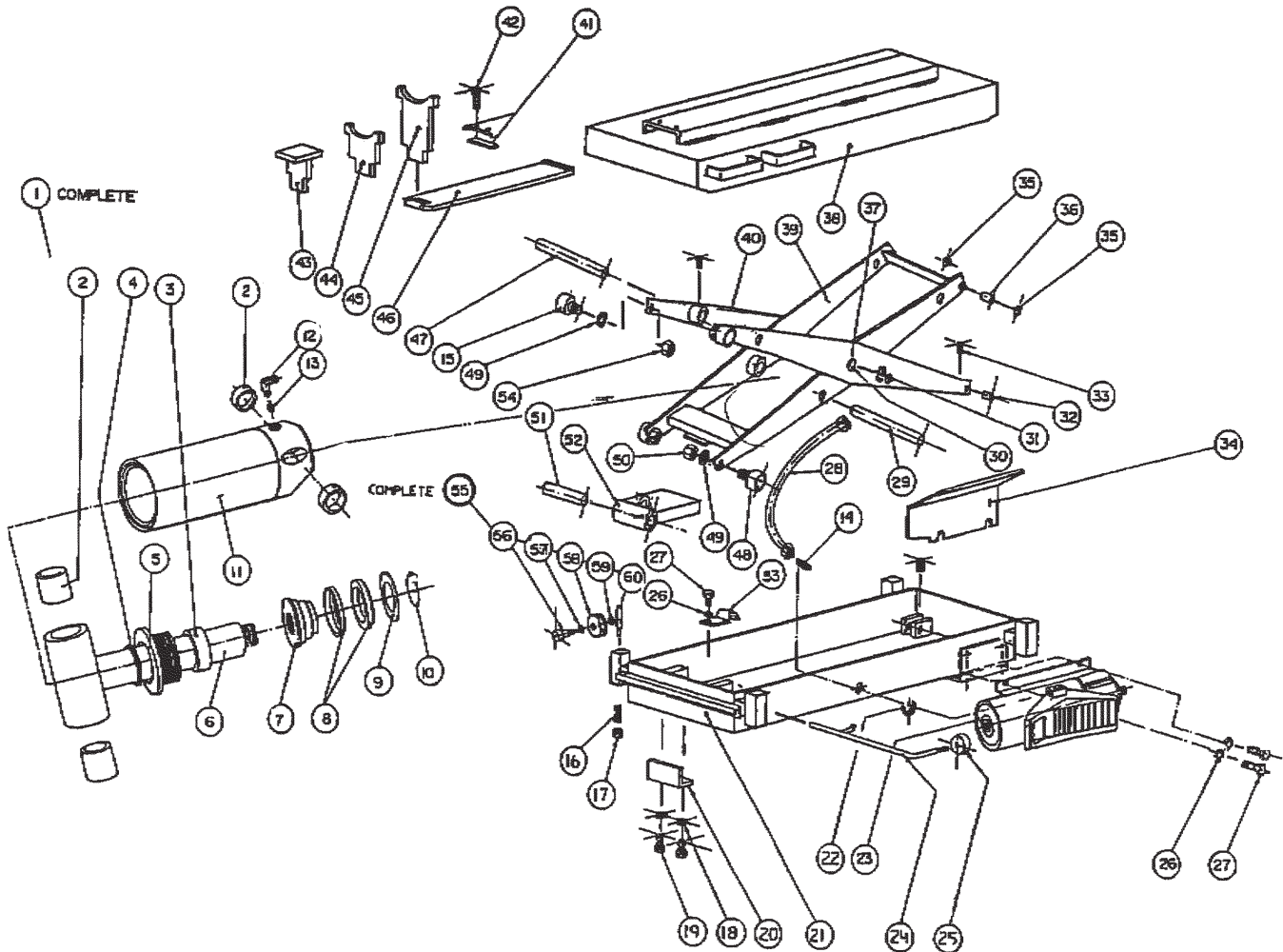
Item No.	SVI Part Number	Ref. OEM	Qty. Req.	Description
1	BH-7795-54	2-1287	1	Cable Assy., 387" L.F.
2	BH-7795-25	2-1094	1	Cable Assy., 178" L.R.
3	BH-7795-26	2-1095	1	Cable Assy., 234" R.R.
4	BH-7795-55	2-1288	1	Cable Assy., 442" R.F.
5	call	6-0724	8	Hex Nut, 7/8"-14 UNF, GR. 8
6	BH-7792-29	1-0800	4	Cable Spacer, 2"
7	call	6-0725	4	Flatwasher, 7/8"

To Order Call: 800-321-8173 or 630-844-5566 / Fax: 800-899-1784 or 630-844-6770

All names, numbers, symbols and descriptions are used for reference purposes only. It is not implied that any part listed is the product of these manufactures, however, some parts may be the actual product of these manufacturers.

## lift repair parts for Wheeltronic Ltd. lifts

### Space Saver 145 Sliding Jack Beam



Item No.	SVI Part Number	Ref. OEM	Qty. Req.	Description
1	BH-7790-15	3-0362	1	Hydraulic Cyl. Complete
2*	BH-7802-71	6-0800	4	Sleeve Bearing
3*	BH-7802-70	6-0799	1	Sleeve Bearing
4**	BH-7802-69	6-0798	1	Wiper Ring
5*	BH-7792-49	1-0880	1	Gland
6*	BH-7794-32	2-0616	1	Piston Rod
7*	BH-7792-50	1-0881	1	Piston
8**	BH-7801-86	6-0579	1	Seal and Wiper Ring
9*	BH-7792-07	1-0725	1	Keeper Washer
10*	BH-7805-66	6-0581	1	External Snap Ring
11*	BH-7794-31	2-0614	1	Cylinder Tube
12*	BH-7791-96	1-0600	1	90° Elbow
13*	BH-7801-79	6-0513	1	Velocity Fuse
14	BH-7800-59	6-0011	1	Male Adpt., 3/8" JIC to 3/8" M BPT

Item No.	SVI Part Number	Ref. OEM	Qty. Req.	Description
15	BH-7798-08	6-0076	2	Upper Cam Follower
16	BH-7790-23	6-0081	4	Spring
17	BH-7790-98	6-0042	4	Nylon Nut, 3/8"
18	call	6-0058	4	3/8" Lockwasher
19	call	6-0030	4	Hex Blt., 3/8"-16 x 3/4"
20	BH-7792-01	1-0608	2	Keeper Bracket
21	BH-7799-24	4-0154	1	Bottom Frame
22	BH-7801-97	6-0670	1	Snap-In Grommet
23	BH-7805-68	6-0646	1	Air/Hydraulic Pump

\* Hydraulic Cylinder Components  
 \*\* Hydraulic Cylinder Seal Kit #0-0174

**To Order Call: 800-321-8173 or 630-844-5566 / Fax: 800-899-1784 or 630-844-6770**

All names, numbers, symbols and descriptions are used for reference purposes only. It is not implied that any part listed is the product of these manufactures, however, some parts may be the actual product of these manufacturers.



## lift repair parts for Wheeltronic Ltd. lifts

### Space Saver 145 Sliding Jack Beam - cont.

Item No.	SVI Part Number	Ref. OEM	Qty. Req.	Description	Item No.	SVI Part Number	Ref. OEM	Qty. Req.	Description
24	BN-7791-89	1-0589	1	Lever	44	BH-7793-76	2-0163	2	Small Riser Bracket
25	BH-7801-21	6-0251	1	3/8"-16 Knob	45	BH-7793-77	2-0164	2	Large Riser Bracket
26	call	6-0056	7	1/4" Lockwasher	46	BH-7791-07	1-0047	2	Lifting Arm
27	call	6-0178	7	Hex Bolt, 1/4"-20 x 3/4"	47	BH-7791-87	1-0583	1	Scissor Pin "A"
28	BH-7792-17	1-0765	1	Hydraulic Hose Assy.	48	BH-7791-39	1-0130	2	Cam Follower
29	BH-7791-88	1-0584	1	Scissor Pin "B"	49	BH-7791-52	1-0228	4	Spacer
30	BH-7791-86	1-0574	1	Center Shaft	50	call	6-0040	2	Jam Nut, 5/8"-18
31	BH-7801-37	6-0329	2	Retaining Ring	51	BH-7791-83	1-0561	1	Safety Pin
32	BH-7791-95	1-0599	2	Bottom Hinge Pin	52	BH-7791-84	1-0562	1	Safety Stop
33	call	6-0438	7	Set Screw, 1/4"-20 x 1/2"	53	BH-7801-98	6-0671	3	Clip
34	BH-7792-02	1-0609	1	Shield	54	call	6-0672	2	5/8"-18 Hex Nut
35	BH-7800-68	6-0072	4	Retaining Ring	55	BH-7790-18	2-0259	4	Roller Assy.
36	BH-7791-94	1-0598	2	Top Hinge Pin	56	call	1-1301	4	Shoulder Bolt, 3/8" x 1
37	call	6-0328	2	Thrust Washer	57	call	6-0223	4	3/8" Thrust Washer
38	BH-7796-22	3-0029	1	Top Frame Assy.	58	BH-7793-69	2-0098	4	Track Roller Assy.
39	BH-7796-64	3-0289	1	Scissor Arm, I.S.	59	call	6-0224	4	3/8" Thrust Washer
40	BH-7796-63	3-0288	1	Scissor Arm, O.S.	60	BH-7805-99	1-0264	4	Spring Stem
41	BH-7791-08	1-0048	2	Arm Stop					
42	BH-7791-10	6-0441	4	1/4"-28 Button Hd. Cap Screw 3/8" Lg.					
43	BH-7790-27	2-0264	2	Neoprene Riser					

\* Hydraulic Cylinder Components  
\*\* Hydraulic Cylinder Seal Kit #0-0174

**To Order Call: 800-321-8173 or 630-844-5566 / Fax: 800-899-1784 or 630-844-6770**

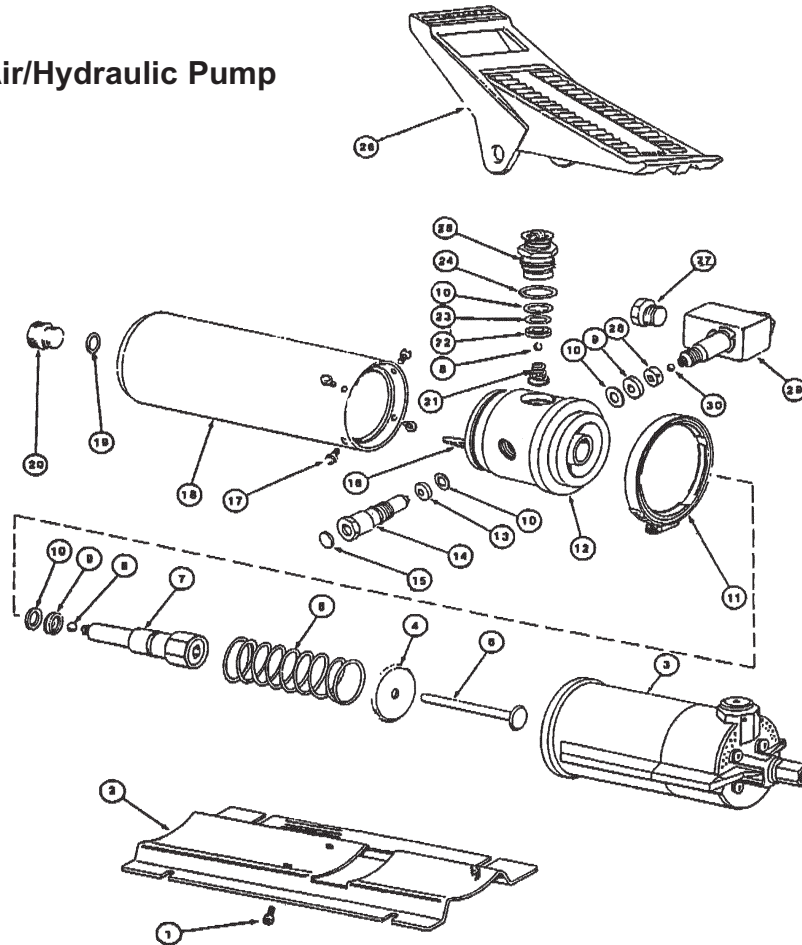
All names, numbers, symbols and descriptions are used for reference purposes only. It is not implied that any part listed is the product of these manufactures, however, some parts may be the actual product of these manufacturers.



## lift repair parts for Wheeltronic Ltd. lifts

### Space Saver 145 Sliding Jack Beam - cont.

#### Space Saver 145 Sliding Jack Beam Air/Hydraulic Pump



Item No.	SVI Part Number	Ref. OEM	Qty. Req.	Description	Item No.	SVI Part Number	Ref. OEM	Qty. Req.	Description
1	call	6-0675	2	Capscrew	18	BN-7805-71	0-0692	1	Reservoir Sub-Assy.
2	BN-7801-99	6-0676	1	Base	19*	BN-7802-15	6-0693	1	Back-Up Washer
3	BN-7802-00	6-0677	1	Air Motor Assembly	20	BN-7802-16	6-0694	1	Plug
4	BN-7805-69	6-0678	1	Spring Cap	21*	BN-7802-17	6-0695	1	Spring
5	BN-7802-01	6-0679	1	Spring	22	BN-7802-18	6-0696	1	Ball Seat
6	BN-7802-02	6-0680	1	Plunger	23*	BN-7802-19	6-0697	1	Gasket
7	BN-7802-03	6-0681	1	Hyd. Cyl. Assy.	24*	BN-7802-20	6-0698	1	"O" Ring
8*	BN-7802-04	6-0682	2	7/32" Ball	25	BN-7802-21	6-0699	1	Release Plunger @ Roller Assembly
9*	BN-7802-05	6-0683	2	Ball Seat	26	BN-7802-22	6-0700	1	Treadle
10*	BN-7802-06	6-0684	4	Gasket	27	BN-7802-23	6-0701	1	Plug
11	BN-7802-07	6-0685	1	Body Retainer	28	BN-7802-24	6-0702	1	Ball Guide
12	BN-7802-08	6-0686	1	Hydraulic Body Assy.	29	BN-7802-25	6-0703	1	Swivel Coupler Assy.
13	BN-7802-09	6-0687	1	Relief Ball Seal	30*	BN-7802-26	6-0704	1	1/4" Ball
14	BN-7805-70	6-0688	1	Relief Valve Assy.					
15	BN-7802-11	6-0689	1	Safety Value Plug					
16	BN-7802-12	6-0690	1	Filter					
17	BN-7802-13	6-0691	4	Screw					

\*Included Items in Repair Kit #6-0722

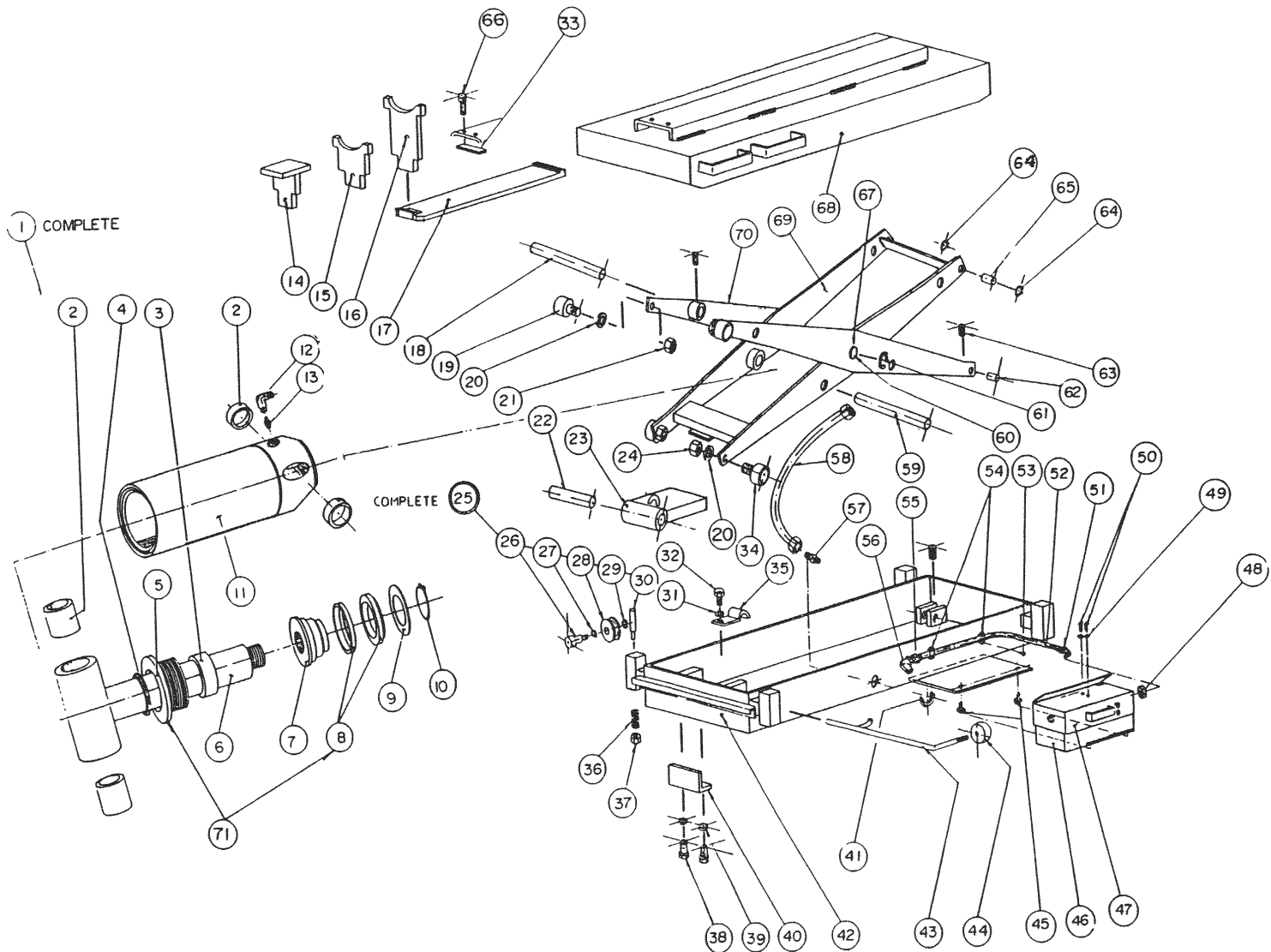
**To Order Call: 800-321-8173 or 630-844-5566 / Fax: 800-899-1784 or 630-844-6770**

All names, numbers, symbols and descriptions are used for reference purposes only. It is not implied that any part listed is the product of these manufactures, however, some parts may be the actual product of these manufacturers.



# lift repair parts for Wheeltronic Ltd. lifts

## Space Saver Air Hydraulic Sliding Jack Beam, 4,500 Lbs.



Item No.	SVI Part Number	Ref. OEM	Qty. Req.	Description
1	BH-7790-15	3-0362	2	Hydraulic Cylinder Assy.
2	BH-7802-71	6-0800	4	Sleeve Bearing
3	BH-7802-70	6-0799	1	Sleeve Bearing
4*	BH-7802-69	6-0798	1	Wiper Ring
5*	BH-7792-49	1-0880	1	Gland
6	BH-7794-32	2-0616	1	Piston Rod
7	BH-7792-50	1-0881	1	Piston

Item No.	SVI Part Number	Ref. OEM	Qty. Req.	Description
8*	BH-7801-86	6-0579	1	Seal & Wiper Ring
9	BH-7792-07	1-0725	1	Keeper Washer
10	BH-7805-66	6-0581	1	External Snap Ring
11	BH-7794-31	2-0614	1	Cylinder Tube
12	BH-7791-96	1-0600	1	90° Elbow

NOTE: Items Listed With \* Are Included In Item 71 Seal Kit

**To Order Call: 800-321-8173 or 630-844-5566 / Fax: 800-899-1784 or 630-844-6770**

All names, numbers, symbols and descriptions are used for reference purposes only. It is not implied that any part listed is the product of these manufactures, however, some parts may be the actual product of these manufacturers.



## lift repair parts for Wheeltronic Ltd. lifts

## Space Saver Air Hydraulic Sliding Jack Beam, 4,500 Lbs. - cont.

Item No.	SVI Part Number	Ref. OEM	Qty. Req.	Description
13	BH-7802-98	6-0911	1	Velocity Fuse
13**	BH-7793-29	1-1726	1	Velocity Fuse Assy.
14	BH-7790-27	2-0264	2	Neoprene Riser
14**	BH-7795-33	2-1174	2	Neoprene Riser
15	BH-7793-76	2-0163	2	Riser Short
16	BH-7793-77	2-0164	2	Riser Tall
17	BH-7791-07	1-0047	2	Lifting Arm
18	BH-7791-88	1-0584	1	Scissor Pin "B"
19	BH-7798-08	6-0076	2	Upper Cam Follower
20	BH-7791-52	1-0228	4	Spacer
21	call	6-0672	2	Hex Nut, 5/8"-18
22	BH-7791-83	1-0561	1	Safety Pin
23	BH-7791-84	1-0562	1	Safety Stop
24	call	6-0040	2	Jam Nut, 5/8"-18
25	BH-7790-18	2-0259	4	Roller Assy.
26	BH-7791-09	6-0206	4	Shoulder Bolt, 3/8" x 1"
27	call	6-0223	4	Thrust Washer, 3/8"
28	BH-7793-69	2-0098	4	Track Roller Assy.
29	call	6-0224	4	Thrust Washer, 3/8"
30	BH-7791-49	1-0204	4	Spring Stem
31	call	6-0056	7	Lockwasher, 1/4"
32	call	6-0178	7	Hex Blt., 1/4"-20 x 3/4"
33	BH-7791-59	1-0262	2	Arm Stop
34	BH-7791-39	1-0130	2	Cam Follower
35	BH-7801-98	6-0671	3	Clip
36	BH-7790-23	6-0081	4	Spring
37	BH-7790-98	6-0042	4	Nylon Nut, 3/8"
38	call	6-0030	4	Hex Blt., 3/8"-16 x 3/4"
39	call	6-0058	4	Lockwasher, 3/8"
40	BH-7792-01	1-0608	2	Keeper Bracket
41	BH-7801-97	6-0670	1	Snap-In Grommet
42	BH-7799-24	4-0154	1	Bottom Frame
43	BH-7791-89	1-0589	1	Lever
44	BH-7801-21	6-0251	1	Knob, 3/8"-16
45	call	6-0178	2	Hex Bolt, 1/4" x 3/4"
46	BH-7803-08	6-0960	1	Air/Hydraulic Pump
47	BH-7794-62	2-0757	1	Pump Shield
48	call	6-0968	1	Jam Nut, 1/4" NPT
49	call	6-0207	2	Flatwasher, #10
50	call	6-0068	2	Round Hd. Screw, #10 x 1/2"
50**	call	6-1076	2	Hex Hd. Screw, #10 x 1/2"
51	BH-7803-09	6-0966	1	90° Elbow, 1/4" NPT, F-3/8" Poly

Item No.	SVI Part Number	Ref. OEM	Qty. Req.	Description
52	BH-7792-60	1-1010	1	Poly Tube
53	call	6-0169	2	Self Tap. Screw, #10 x 3/8"
54	BH-7805-67	6-0536	2	Tube Clamp
55	BH-7802-32	6-0710	1	Adpt., 3/8" Poly. to 1/4" NPT, M
56	BH-7803-10	6-0967	1	90° Elbow, 1/4" NPT, F-1/4" NPT, F
57	BH-7792-34	1-0805	1	Adpt., W/Restrictor
58	BH-7792-17	1-0765	1	Hydraulic Hose Assy.
59	BH-7791-87	1-0583	1	Scissor Pin "B"
60	BH-7791-86	1-0574	1	Center Shaft
61	BH-7801-37	6-0329	2	Retaining Ring
62	BH-7791-95	1-0599	2	Bottom Hinge Pin
63	call	6-0438	6	Set Screw, 1/4"-20 x 1/2"
64	BH-7800-68	6-0072	4	Retaining Ring
65	BH-7791-94	1-0598	2	Top Hinge Pin
66	BH-7791-10	6-0441	4	Button Hd. Cap Screw, 1/4"-20 x 3/8"
67	call	6-0328	2	Thrust Washer
68	BH-7796-97	3-0433	1	Top Cover
69	BH-7796-64	3-0289	1	Scissor Arm, Inside
70	BH-7796-63	3-0288	1	Scissor Arm, Outside
71*	BH-7790-73	0-0190	1	Hyd. Cyl. Seal Kit

NOTE: Items Listed With \* Are Included In Item 71 Seal Kit  
Items Listed With \*\* Indicates from Nov. 1999 Version

To Order Call: 800-321-8173 or 630-844-5566 / Fax: 800-899-1784 or 630-844-6770

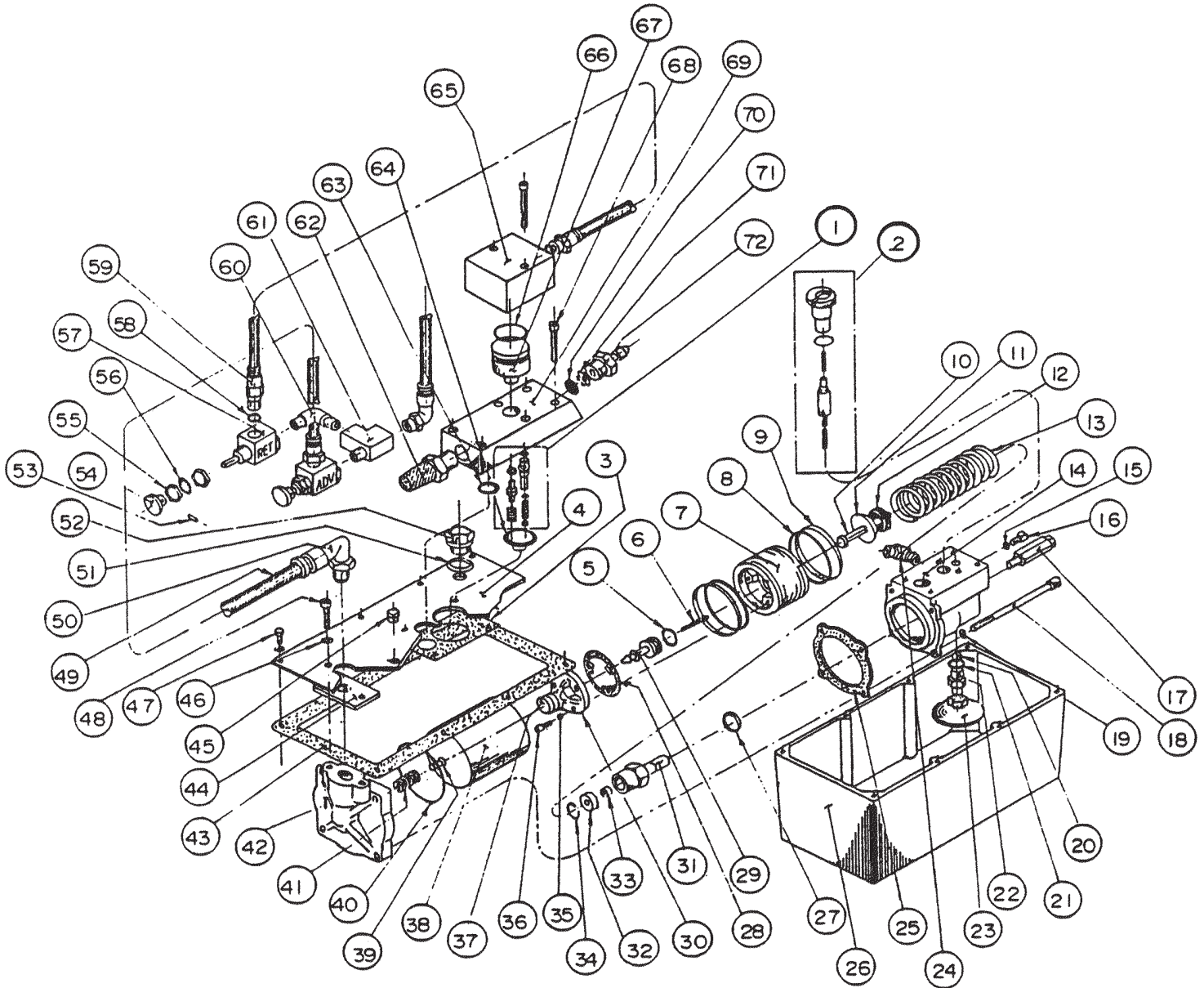
All names, numbers, symbols and descriptions are used for reference purposes only. It is not implied that any part listed is the product of these manufactures, however, some parts may be the actual product of these manufacturers.



lift repair parts for Wheeltronic Ltd. lifts

Space Saver Air Hydraulic Sliding Jack Beam, 4,500 Lbs. - cont.

Space Saver, Air Hydraulic Sliding Jack Beam 4,500 Air/Hydraulic Pump



Item No.	SVI Part Number	Ref. OEM	Qty. Req.	Description
1	BH-7803-13	6-0999	1	Check & Rel. Valves Assy.
2	BH-7798-24	6-1000	2	Rel. Valve Assy.
3	BH-7803-14	6-1001	1	Gasket
4	BH-7803-15	6-1002	1	Cover Plate
5	BH-7803-16	6-1003	1	"O" Ring
6	BH-7803-17	6-1004	1	Spring

Item No.	SVI Part Number	Ref. OEM	Qty. Req.	Description
7	BH-7803-18	6-1005	1	Piston Body
8	BH-7803-19	6-1006	2	"O" Ring
9	BH-7803-20	6-1007	2	Piston Ring
10	BH-7803-21	6-1008	1	Piston
11	BH-7803-22	6-1009	1	Spring Guide
12	BH-7803-23	6-1010	1	Bumper

To Order Call: 800-321-8173 or 630-844-5566 / Fax: 800-899-1784 or 630-844-6770

All names, numbers, symbols and descriptions are used for reference purposes only. It is not implied that any part listed is the product of these manufactures, however, some parts may be the actual product of these manufacturers.



**lift repair parts for Wheeltronic Ltd. lifts****Space Saver Air Hydraulic Sliding Jack Beam, 4,500 Lbs. - cont.****Space Saver, Air Hydraulic Sliding Jack Beam 4,500 Air/Hydraulic Pump - cont.**

Item No.	SVI Part Number	Ref. OEM	Qty. Req.	Description
13	BH-7798-21	6-1011	1	Compression Spring
14	BH-7803-24	6-1012	1	Pump Body
15	call	6-1013	1	Copper Washer
16	call	6-1014	1	Cap Screw
17	BH-7803-25	6-1015	1	Relief Valve Assy.
18	call	6-1016	4	Hex-Socket Cap Screw
19	call	6-1017	4	Lockwasher
20	BH-7803-26	6-1018	1	Steel Ball
21	call	6-1019	1	Copper Washer
22	BH-7803-27	6-1020	1	Filter Adpt.
23	BH-7803-28	6-1021	1	Filter Assy.
24	BH-7803-29	6-1022	1	90° Elbow
25	BH-7803-30	6-1023	1	Gasket
26	BH-7803-31	6-1024	1	Reservoir
27	call	6-1025	1	Copper Washer
28	BH-7803-32	6-1026	1	Gasket
29	BH-7803-33	6-1027	1	Exhaust Valve Stem
30	BH-7803-34	6-1028	1	Piston
31	BH-7803-35	6-1029	1	Cylinder
32	BH-7803-36	6-1030	1	Retainer
33	BH-7803-37	6-1031	1	"U" Cup
34	BH-7803-38	6-1032	1	Retaining Ring
35	call	6-1033	3	Lockwasher
36	call	6-1034	3	Hex-Socket Cap Screw
37	BH-7803-39	6-1035	1	Piston Poppet
38	BH-7803-40	6-1036	1	Air Cylinder
39	call	6-1037	1	Cap Screw
40	BH-7803-41	6-1038	1	Backup Ring
41	BH-7803-42	6-1039	1	Spring
42	BH-7803-43	6-1040	1	Rear Head
43	BH-7803-44	6-1041	1	Gasket
44	BH-7803-45	6-1042	1	Gasket
45	BH-7803-46	6-1043	1	Plug
46	call	6-1044	2	Flatwasher
47	call	6-1045	8	Screw
48	call	6-1046	2	Hex-Socket Cap Screw
49	BH-7803-47	6-1047	2	Polytube L= 10"
50	BH-7803-48	6-1048	2	Elbow Fitting
51	BH-7803-49	6-1049	1	Rubber Gasket
52	BH-7803-50	6-1050	1	Breather Cap
53	call	6-1051	2	Hex-Socket Set Screw
54	BH-7803-51	6-1052	2	Button

Item No.	SVI Part Number	Ref. OEM	Qty. Req.	Description
55	call	6-1053	4	Locknut
56	call	6-1054	2	Tooth Lock Washer
57	BH-7803-52	6-1055	2	Air Valve
58	call	6-1056	2	Plastic Washer
59	BH-7803-53	6-1057	2	Straight Fitting
60	BH-7803-54	6-1058	1	90° Elbow
61	BH-7803-55	6-1059	1	Connector
62	BH-7803-56	6-1060	1	Filter
63	BH-7803-57	6-1061	2	"O" Ring
64	BH-7803-58	6-1062	1	"O" Ring
65	BH-7803-59	6-1063	1	Valve Body
66	BH-7803-60	6-1064	1	"O" Ring
67	BH-7803-61	6-1065	1	Piston
68	call	6-1066	6	Hex-Socket Cap Screw
69	BH-7803-62	6-1067	1	Valve Body
70	BH-7803-63	6-1068	1	Filter
71	call	6-1069	1	Tooth Lockwasher
72	BH-7803-64	6-1070	1	Straight Adpt.
72**	BH-7792-74	1-1079	1	Flow Control

Note: Item Listed With \*\* Indicates from Nov. 1999 Version

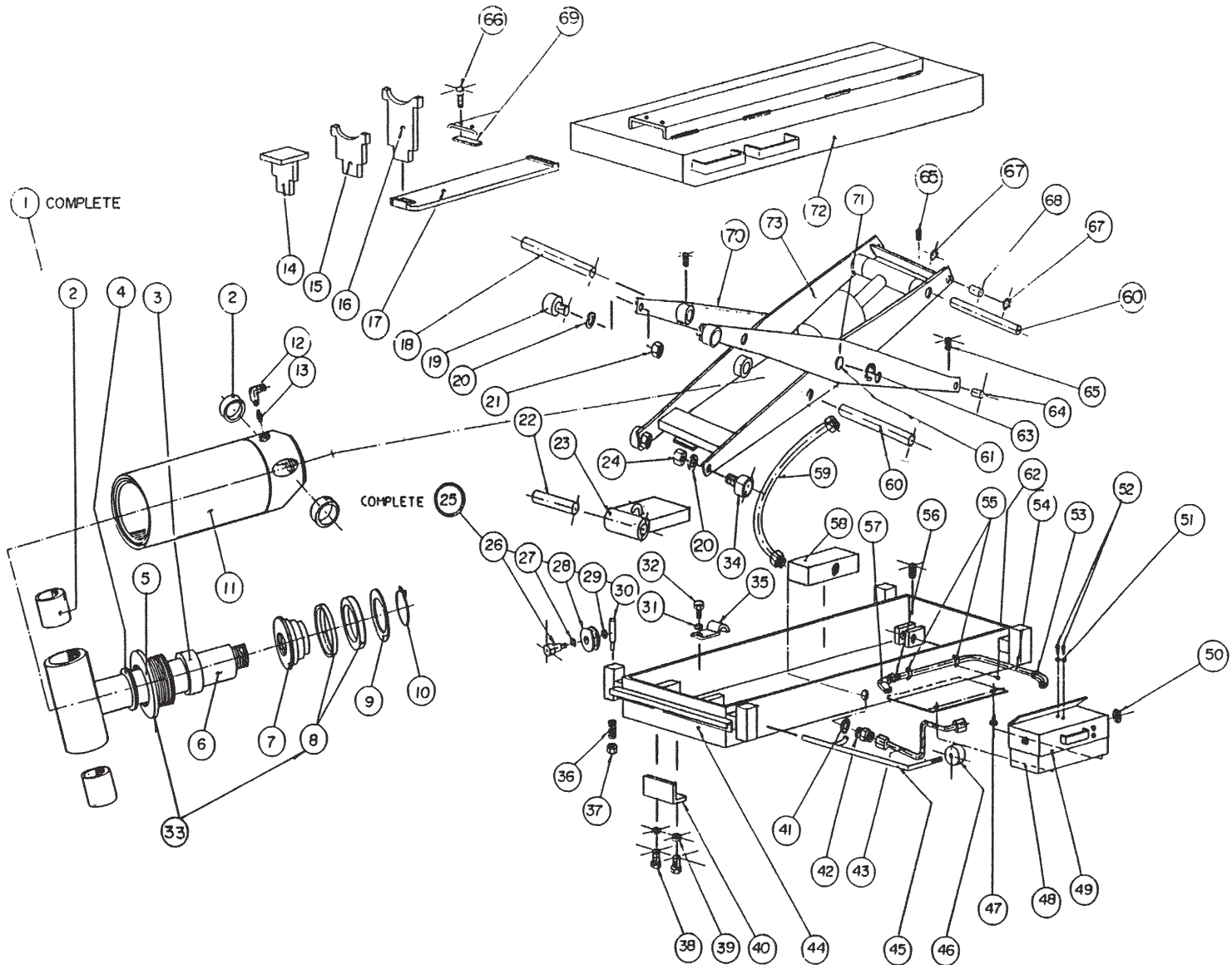
**To Order Call: 800-321-8173 or 630-844-5566 / Fax: 800-899-1784 or 630-844-6770**

All names, numbers, symbols and descriptions are used for reference purposes only. It is not implied that any part listed is the product of these manufactures, however, some parts may be the actual product of these manufacturers.



lift repair parts for Wheeltronic Ltd. lifts

Air Hydraulic Sliding Jack Beam, 6,000 Lbs.



Item No.	SVI Part Number	Ref. OEM	Qty. Req.	Description
1	BH-7790-15	3-0362	2	Hydraulic Cylinder Assy.
2	BH-7802-71	6-0800	8	Sleeve Bearing
3	BH-7802-70	6-0799	2	Sleeve Bearing
4*	BH-7802-69	6-0798	2	Wiper Ring
5*	BH-7792-49	1-0880	2	Gland
6	BH-7794-32	2-0616	2	Piston Rod
7	BH-7792-50	1-0881	2	Piston

Item No.	SVI Part Number	Ref. OEM	Qty. Req.	Description
8*	BH-7801-86	6-0579	2	Seal & Wiper Ring
9	BH-7792-07	1-0725	2	Keeper Washer
10	BH-7805-66	6-0581	2	External Snap Ring
11	BH-7794-31	2-0614	2	Cylinder Tube
12	BH-7791-96	1-0600	2	90° Elbow

NOTE: Items Listed With \* Are Included In Item 33 Seal Kit

To Order Call: 800-321-8173 or 630-844-5566 / Fax: 800-899-1784 or 630-844-6770

All names, numbers, symbols and descriptions are used for reference purposes only. It is not implied that any part listed is the product of these manufactures, however, some parts may be the actual product of these manufacturers.



## lift repair parts for Wheeltronic Ltd. lifts

## Air Hydraulic Sliding Jack Beam, 6,000 Lbs. - cont.

Item No.	SVI Part Number	Ref. OEM	Qty. Req.	Description
13	BH-7802-98	6-0911	2	Velocity Fuse
14	BH-7790-27	2-0264	2	Neoprene Riser
15	BH-7793-76	2-0163	2	Riser Short
16	BH-7793-77	2-0164	2	Riser Tall
17	BH-7791-85	1-0569	2	Lifting Arm
18	BH-7791-88	1-0584	1	Scissor Pin "B"
19	BH-7798-08	6-0076	2	Upper Cam Follower
20	BH-7791-52	1-0228	2	Spacer
21	call	6-0672	2	Hex Nut, 5/8"-18
22	BH-7791-83	1-0561	1	Safety Pin
23	BH-7791-84	1-0562	1	Safety Stop
24	call	6-0040	2	Jam Nut, 5/8"-18
25	BH-7790-18	2-0259	4	Roller Assy.
26	BH-7791-09	6-0206	4	Shoulder Bolt, 3/8" x 1"
27	call	6-0223	4	Thrust Washer, 3/8"
28	BH-7793-69	2-0098	4	Track Roller Assy.
29	call	6-0224	4	Thrust Washer, 3/8"
30	BH-7791-49	1-0204	4	Spring Stem
31	call	6-0056	7	Lockwasher, 1/4"
32	call	6-0178	7	Hex Blt., 1/4"-20 x 3/4"
33*	BH-7790-73	0-0190	1	Hyd. Cyl. Seal Kit
34	BH-7791-39	1-0130	2	Cam Follower
35	BH-7801-98	6-0671	3	Clip
36	BH-7790-23	6-0081	4	Spring
37	BH-7790-98	6-0042	4	Nylon Nut, 3/8"
38	call	6-0030	4	Hex Blt., 3/8"-16 x 3/4"
39	call	6-0058	4	Lockwasher, 3/8"
40	BH-7792-01	1-0608	2	Keeper Bracket
41	BH-7801-97	6-0670	1	Snap-In Grommet
42	BH-7798-51	6-0281	1	Adpt., 1/4" NPT, M-1/4" JIC, M
43	BH-7792-32	1-0803	1	Hydraulic Line
44	BH-7799-24	4-0154	1	Bottom Frame
45	BH-7791-89	1-0589	1	Lever
46	BH-7801-21	6-0251	1	Knob, 3/8"-16
47	call	6-0178	2	Hex Blt., 1/4" x 3/4"
48	BH-7803-08	6-0960	1	Air/Hydraulic Pump
49	BH-7794-62	2-0757	1	Pump Shield
50	call	6-0968	1	Jam Nut, 1/4" NPT
51	call	6-0207	2	Flatwasher, #10
52	call	6-0068	2	Rnd. Hd. Screw, #10 x 1/2"
53	BH-7803-09	6-0966	1	90° Elbow, 1/4" NPT, F-3/8" Poly

Item No.	SVI Part Number	Ref. OEM	Qty. Req.	Description
55	BH-7805-67	6-0536	2	Tube Clamp
56	BH-7802-32	6-0710	1	Adapter
57	BH-7803-10	6-0967	1	90° Elbow, 1/4" NPT, F- 1/4" NPT, F
58	BH-7791-82	1-0560	1	Manifold
59	BH-7791-97	1-0601	2	Hydraulic Hose Assy.
60	BH-7791-87	1-0583	2	Scissor Pin "A"
61	BH-7791-86	1-0574	1	Center Shaft
62	call	6-0169	2	Self Tap. Screw, #10 x 3/8"
63	BH-7801-37	6-0329	2	Retaining Ring
64	BH-7791-95	1-0599	2	Bottom Hinge Pin
65	call	6-0438	10	Set Screw, 1/4"-20 x 1/2"
66	BH-7791-40	6-0441	4	Button Hd. Cap Screw, 1/4"-20 x 3/8"
67	BH-7800-68	6-0072	4	Retaining Ring
68	BH-7791-94	1-0598	2	Top Hinge Pin
69	BH-7791-59	1-0262	2	Arm Stop
70	BH-7796-63	3-0288	2	Scissor Arm, Outside
71	call	6-0328	2	Thrust Washer
72	BH-7796-62	3-0286	1	Top Cover
73	BH-7796-64	3-0289	1	Scissor Arm, Inside

NOTE: Items Listed With \* Are Included In Item 33 Seal Kit

To Order Call: 800-321-8173 or 630-844-5566 / Fax: 800-899-1784 or 630-844-6770

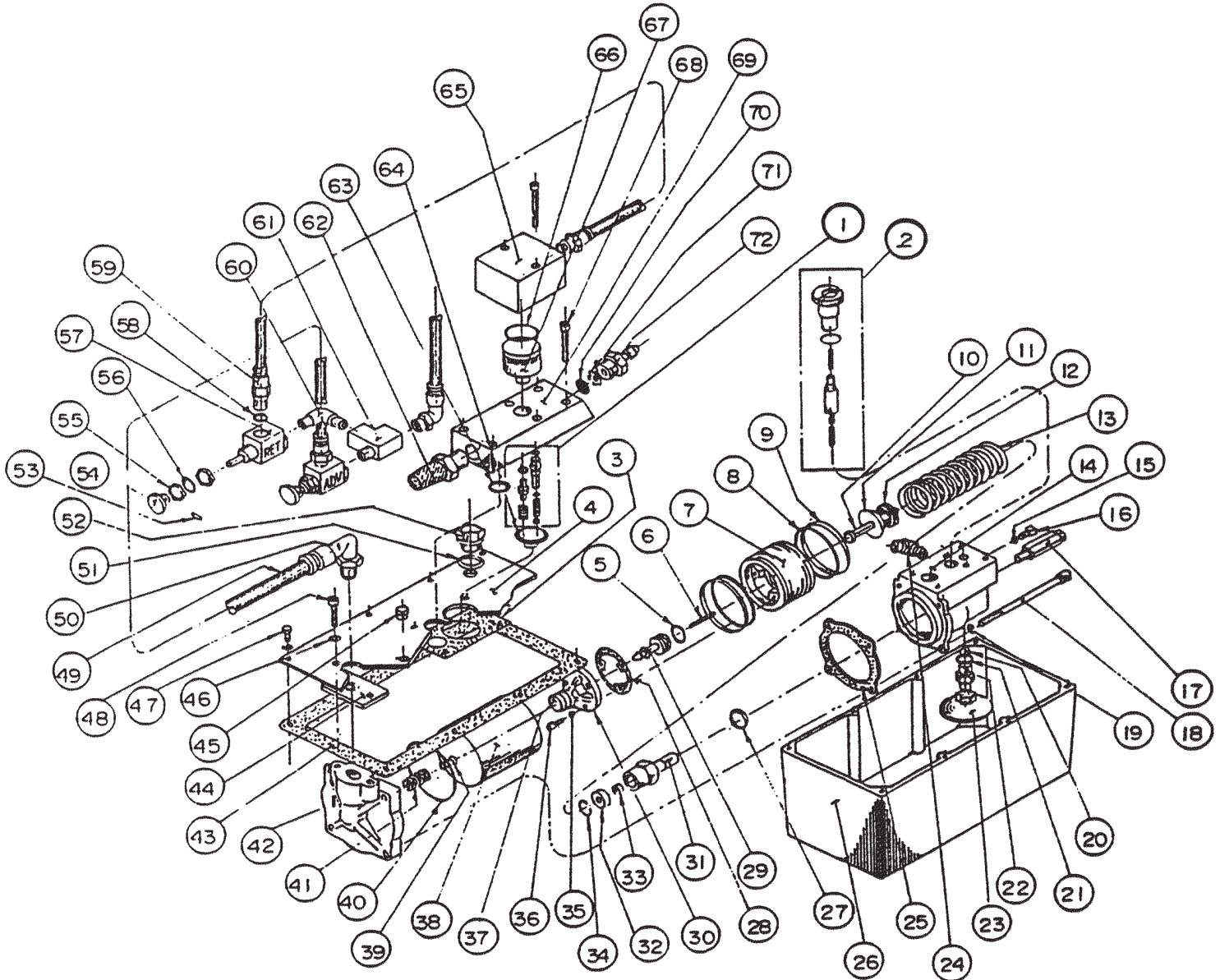
All names, numbers, symbols and descriptions are used for reference purposes only. It is not implied that any part listed is the product of these manufactures, however, some parts may be the actual product of these manufacturers.



lift repair parts for Wheeltronic Ltd. lifts

Space Saver Air Hydraulic Sliding Jack Beam, 6,000 Lbs. - cont.

Space Saver, Air Hydraulic Sliding Jack Beam 6,000 Air/Hydraulic Pump



Item No.	SVI Part Number	Ref. OEM	Qty. Req.	Description
1	BH-7803-13	6-0999	1	Check & Rel. Valves Assy.
2	BH-7798-24	6-1000	2	Rel. Valve Assy.
3	BH-7803-14	6-1001	1	Gasket
4	BH-7803-15	6-1002	1	Cover Plate
5	BH-7803-16	6-1003	1	"O" Ring
6	BH-7803-17	6-1004	1	Spring

Item No.	SVI Part Number	Ref. OEM	Qty. Req.	Description
7	BH-7803-18	6-1005	1	Piston Body
8	BH-7803-19	6-1006	2	"O" Ring
9	BH-7803-20	6-1007	2	Piston Ring
10	BH-7803-21	6-1008	1	Piston
11	BH-7803-22	6-1009	1	Spring Guide
12	BH-7803-23	6-1010	1	Bumper

To Order Call: 800-321-8173 or 630-844-5566 / Fax: 800-899-1784 or 630-844-6770

All names, numbers, symbols and descriptions are used for reference purposes only. It is not implied that any part listed is the product of these manufactures, however, some parts may be the actual product of these manufacturers.



**lift repair parts for Wheeltronic Ltd. lifts****Space Saver Air Hydraulic Sliding Jack Beam, 6,000 Lbs. - cont.****Space Saver, Air Hydraulic Sliding Jack Beam 6,000 Air/Hydraulic Pump**

Item No.	SVI Part Number	Ref. OEM	Qty. Req.	Description
13	BH-7798-21	6-1011	1	Compression Spring
14	BH-7803-24	6-1012	1	Pump Body
15	call	6-1013	1	Copper Washer
16	call	6-1014	1	Cap Screw
17	BH-7803-25	6-1015	1	Relief Valve Assy.
18	call	6-1016	4	Hex-Socket Cap Screw
19	call	6-1017	4	Lockwasher
20	BH-7803-26	6-1018	1	Steel Ball
21	call	6-1019	1	Copper Washer
22	BH-7803-27	6-1020	1	Filter Adpt.
23	BH-7803-28	6-1021	1	Filter Assy.
24	BH-7803-29	6-1022	1	90° Elbow
25	BH-7803-30	6-1023	1	Gasket
26	BH-7803-31	6-1024	1	Reservoir
27	call	6-1025	1	Copper Washer
28	BH-7803-32	6-1026	1	Gasket
29	BH-7803-33	6-1027	1	Exhaust Valve Stem
30	BH-7803-34	6-1028	1	Piston
31	BH-7803-35	6-1029	1	Cylinder
32	BH-7803-36	6-1030	1	Retainer
33	BH-7803-37	6-1031	1	"U" Cup
34	BH-7803-38	6-1032	1	Retaining Ring
35	call	6-1033	3	Lockwasher
36	call	6-1034	3	Hex-Socket Cap Screw
37	BH-7803-39	6-1035	1	Piston Poppet
38	BH-7803-40	6-1036	1	Air Cylinder
39	call	6-1037	1	Cap Screw
40	BH-7803-41	6-1038	1	Backup Ring
41	BH-7803-42	6-1039	1	Spring
42	BH-7803-43	6-1040	1	Rear Head
43	BH-7803-44	6-1041	1	Gasket
44	BH-7803-45	6-1042	1	Gasket
45	BH-7803-46	6-1043	1	Plug
46	call	6-1044	2	Flatwasher
47	call	6-1045	8	Screw
48	call	6-1046	2	Hex-Socket Cap Screw
49	BH-7803-47	6-1047	2	Polytube L=10"
50	BH-7803-48	6-1048	2	Elbow Fitting
51	BH-7803-49	6-1049	1	Rubber Gasket
52	BH-7803-50	6-1050	1	Breather Cap
53	call	6-1051	2	Hex-Socket Set Screw
54	BH-7803-51	6-1052	2	Button

Item No.	SVI Part Number	Ref. OEM	Qty. Req.	Description
55	call	6-1053	4	Locknut
56	call	6-1054	2	Tooth Lock Washer
57	BH-7803-52	6-1055	2	Air Valve
58	call	6-1056	2	Plastic Washer
59	BH-7803-53	6-1057	2	Straight Fitting
60	BH-7803-54	6-1058	1	90° Elbow
61	BH-7803-55	6-1059	1	Connector
62	BH-7803-56	6-1060	1	Filter
63	BH-7803-57	6-1061	2	"O" Ring
64	BH-7803-58	6-1062	1	"O" Ring
65	BH-7803-59	6-1063	1	Valve Body
66	BH-7803-60	6-1064	1	"O" Ring
67	BH-7803-61	6-1065	1	Piston
68	call	6-1066	6	Hex-Socket Cap Screw
69	BH-7803-62	6-1067	1	Valve Body
70	BH-7803-63	6-1068	1	Filter
71	call	6-1069	1	Tooth Lockwasher
72	BH-7803-64	6-1070	1	Straight Adpt.

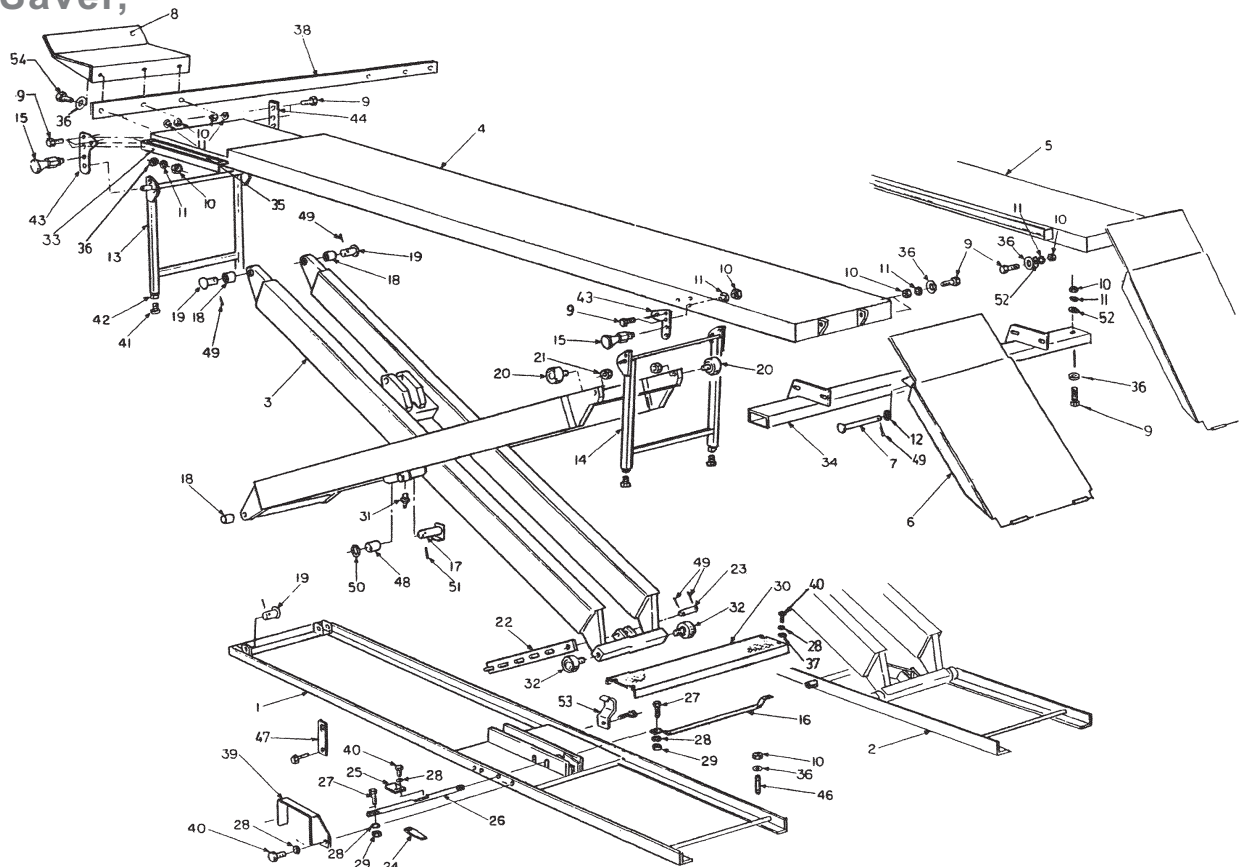
**To Order Call: 800-321-8173 or 630-844-5566 / Fax: 800-899-1784 or 630-844-6770**

All names, numbers, symbols and descriptions are used for reference purposes only. It is not implied that any part listed is the product of these manufactures, however, some parts may be the actual product of these manufacturers.



lift repair parts for Wheeltronic Ltd. lifts

Space Saver,  
9,000  
Series



Item No.	SVI Part Number	Ref. OEM	Qty. Req.	Description
1	BH-7799-08	4-0112	1	Base Frame, L.S.
2	BH-7799-09	4-0113	1	Base Frame, R.S.
3	BH-7798-87	4-0002	2	Scissor Weldment
4	BH-7799-10	4-0114	1	Align. Deck, L.S. 144" W/B
	BH-7805-50	4-0116	1	Align. Deck, L.S. 172" W/B
5	BH-7799-17	4-0127	1	Align. Deck, R.S. 144" W/B
	BH-7799-21	4-0137	1	Align. Deck, R.S. 172" W/B
6	BH-7796-57	3-0242	2	Approach Ramp 144" W/B
	BH-7796-61	3-0285	2	Approach Ramp 172" W/B
7	BH-7791-19	1-0095	2	Ramp Pin
8	BH-7794-76	2-0851	2	Front Wheel Stop
9	call	6-0291	26	Hex Bolt, 1/2"-13 x 1-1/2"
10	call	6-0035	44	Hex Nut, 1/2"-13
11	call	6-0059	24	Lockwasher, 1/2"
12	call	6-0808	2	5/16" x 1" x 1/8" Thk. Flatwasher
13	BH-7796-58	3-0248	2	Leveling Leg. F.L., R.R.
14	BH-7796-60	3-0272	2	Leveling Leg, F.R. R.L.
15	BH-7790-24	2-0086	4	Plunger Pin Assy.
16	BH-7793-66	2-0071	1	Safety Rel. Conn. Rod
17	BH-7805-52	1-0106	4	Fulcrum Pin, 1-1/4"
18	BH-7800-70	6-0085	8	Bushing, 1"

Item No.	SVI Part Number	Ref. OEM	Qty. Req.	Description
19	BH-7791-29	1-0107	8	End Hinge Pin, 1"
20	BH-7801-88	6-0637	4	Cam Follower
21	call	6-0040	4	Jam Nut, 5/8"-18
22	BH-7794-01	2-0405	2	Safety Bar
23	BH-7791-81	1-0547	2	Safety Pin
24	BH-7793-83	2-0194	2	Safety Pedal
25	BH-7791-46	1-0189	2	Safety Release Tab
26	BH-7793-65	2-0069	2	Safety Release Rod
27	call	6-0027	6	Hex Bolt, 1/4"-20 x 1-1/4"
28	call	6-0056	18	Lockwasher, 1/4"
29	call	6-0032	6	Hex Nut, 1/4"-20
30	BH-7796-84	3-0365	1	Center Cover
31	BH-7800-51	6-0000	4	Grease Nipple
32	BH-7790-26	6-0077	4	Cam Follower
33	BH-7793-97	2-0362	2	Pull Out Step Assy.
34	BH-7796-59	3-0251	1	Rear Crossmember
35	BH-7792-14	1-0749	2	Safety Walk Tape
36	call	6-0063	26	Plain Washer, 1/2"
37	call	6-0060	4	Flatwasher, 1/4"
38	BH-7796-15	3-0007	1	Fnt. Crossmember, 172" W/B
39	BH-7791-14	1-0086	2	Toe Guard

To Order Call: 800-321-8173 or 630-844-5566 / Fax: 800-899-1784 or 630-844-6770

All names, numbers, symbols and descriptions are used for reference purposes only. It is not implied that any part listed is the product of these manufactures, however, some parts may be the actual product of these manufacturers.



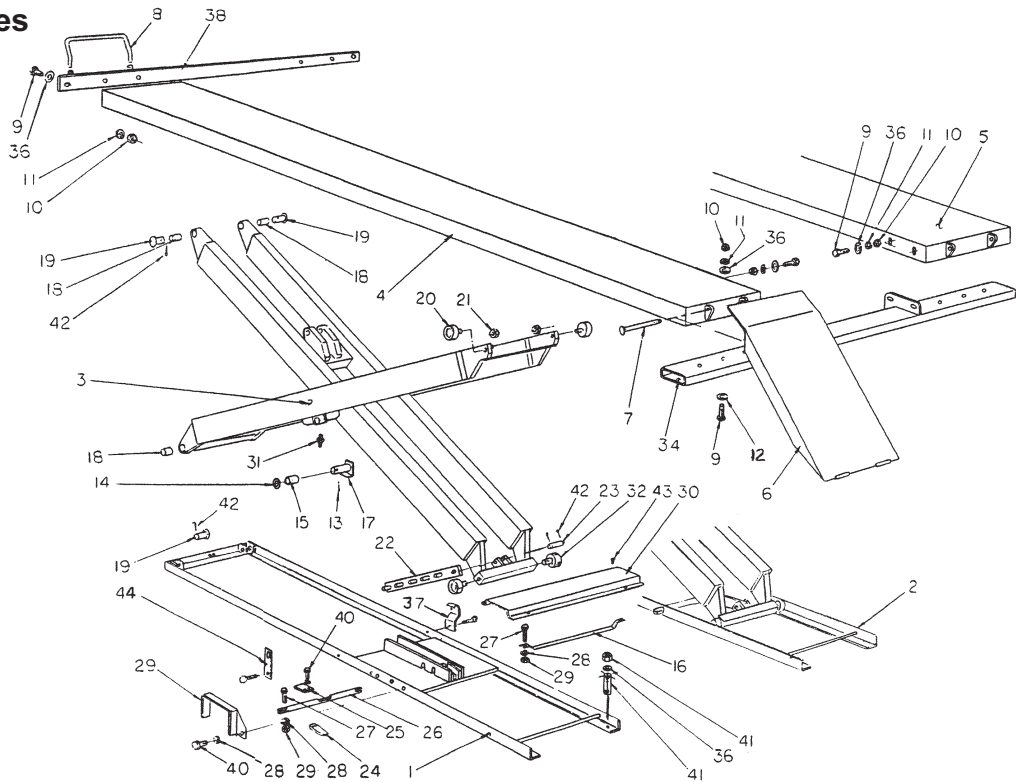
lift repair parts for Wheeltronic Ltd. lifts

Space Saver, 9,000 Series - cont.

Item No.	SVI Part Number	Ref. OEM	Qty. Req.	Description
40	call	6-0178	12	Hex Bolt, 1/4"-20 x 3/4"
41	call	6-0049	8	Tap Bolt, 5/8"-11 x 4"
42	call	6-0039	8	Jam Nut, 5/8"-11
43	BH-7790-25	2-0999	4	Front Outside Leg Bracket
44	BH-7795-05	2-1000	2	Front Inside Leg Bracket
46	BH-7800-99	6-0140	12	Wedge Anchor, 1/2" x 4-1/2"
47	BH-7793-88	2-0266	2	Flat Shipping Bracket
48	BH-7800-69	6-0084	4	Bushing, 1-1/4"

Item No.	SVI Part Number	Ref. OEM	Qty. Req.	Description
49	BH-7798-76	6-0115	14	Cotter Pin, 1/8" x 2"
50	BH-7791-42	1-0140	4	Washer
51	BH-7801-02	6-0146	4	Spring Pin, 3/16" x 2"
52	call	6-0439	6	Flatwasher, 1/2"
53	BH-7793-70	2-0112	2	Shipping Bracket
54	call	6-0291	6	Hex Bolt, 1/2"-13 x 1-1/2" (144" W/B)
	call	6-0047	6	Hex Bolt, 1/2"-13 x 1-3/4" (172" W/B)

Space Saver, 9,000 Series  
Main Frame Assembly,  
Service & Rust Proofer



Item No.	SVI Part Number	Ref. OEM	Qty. Req.	Description
1	BH-7799-08	4-0112	1	Base Frame, Driver Side
2	BH-7791-35	1-0113	1	Base Frame, Pass. Side
3	BH-7798-87	4-0002	2	Scissor Weldment
4	BH-7799-15	4-0122	1	Ser. Deck, Driver Side, (144" W/B)
	BH-7799-12	4-0118	1	Ser. Deck, Driver Side, (172" W/B)
	BH-7799-13	4-0120	1	Rust Proofer Deck, Driver Side, (144" W/B)
	BH-7799-19	4-0133	1	Rust Proofer Deck, Driver Side, (172" W/B)

Item No.	SVI Part Number	Ref. OEM	Qty. Req.	Description
5	BH-7799-16	4-0123	1	Ser. Deck, Pass. Side, (144" W/B)
	BH-7799-18	4-0130	1	Ser. Deck, Pass. Side, (172" W/B)
	BH-7799-14	4-0121	1	Rust Prf. Deck, P.S., (144" W/B)
	BH-7799-20	4-0134	1	Rust Prf. Deck, P.S., (172" W/B)
6	BH-7796-57	3-0242	2	Approach Ramp, (144" W/B)
	BH-7796-61	3-0285	2	Approach Ramp, (172" W/B)
7	BH-7791-19	1-0095	2	Ramp Pin
8	BH-7793-90	2-0275	2	Front Wheel Stop, (Removable)
9	call	6-0291	10	Hex Bolt, 1/2"-13 x 1-1/2"

To Order Call: 800-321-8173 or 630-844-5566 / Fax: 800-899-1784 or 630-844-6770

All names, numbers, symbols and descriptions are used for reference purposes only. It is not implied that any part listed is the product of these manufactures, however, some parts may be the actual product of these manufacturers.



## lift repair parts for Wheeltronic Ltd. lifts

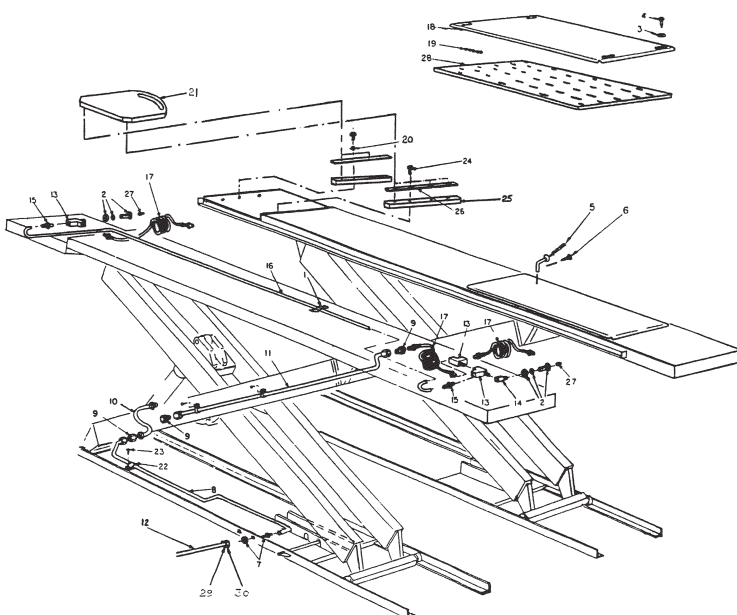
### Space Saver, 9,000 Series - cont.

#### Space Saver, 9,000 Series Main Frame Assembly, Service & Rust Proofer cont.

Item No.	SVI Part Number	Ref. OEM	Qty. Req.	Description
10	call	6-0035	22	Hex Nut, 1/2"-13
11	call	6-0059	14	Lockwasher, 1/2"
12	call	6-0439	6	1/2" Flatwasher
13	BH-7801-02	6-0146	4	Spring Pin, 3/16" x 2"
14	BH-7791-42	1-0140	4	Washer
15	BH-7800-69	6-0084	4	Bushing, 1-1/4"
16	BH-7793-66	2-0071	1	Safety Rel. Conn. Rod
17	BH-7791-20	1-0096	4	Fulcrum Pin, 1-1/4"
18	BH-7800-70	6-0085	8	Bushing Bronze, 1"
19	BH-7791-29	1-0170	8	End Hinge, 1"
20	BH-7801-88	6-0637	4	Cam Follower
21	call	6-0040	4	Jam Nut, 5/8"-18
22	BH-7794-01	2-0405	2	Safety Bar
23	BH-7790-95	1-0034	2	Pins
24	BH-7793-83	2-0194	2	Safety Pedal
25	BH-7791-46	1-0189	2	Safety Rel. Tab
26	BH-7793-65	2-0069	2	Safety Rel. Rod

Item No.	SVI Part Number	Ref. OEM	Qty. Req.	Description
27	call	6-0027	6	Hex Bolt, 1/4"-20 x 1-1/4"
28	call	6-0056	14	Lockwasher, 1/4"
29	BH-7798-13	6-0032	8	Hex Nut, 1/4"-20
30	BH-7796-84	3-0365	1	Center Cover
31	BH-7800-51	6-0000	4	Grease Nipple
32	BH-7790-26	6-0077	4	Cam Follower
34	BH-7796-59	3-0251	1	Rear Crossmember
36	call	6-0063	22	Plainwasher, 1/2"
37	BH-7793-70	2-0112	2	Shipping Bracket
38	BH-7796-17	3-0009	1	Front Crossmember, (Some Models)
39	BH-7791-14	1-0086	2	Toe Guard
40	call	6-0178	8	Hex Bolt, 1/4"-20 x 3/4"
41	BH-7800-99	6-0140	12	Wedge Anchor, 1/2" x 4-1/2"
42	BH-7798-76	6-0115	14	Cotter Pin, 1/8" x 2"
43	BH-7801-00	6-0141	4	Concrete Nail, 1/4" x 1"
44	BH-7793-88	2-0266	2	Flat Shipping Bracket

### Space Saver, 9,000 Series Options



1	BH-7801-73	6-0500	5	Frame Clip
2	BH-7801-06	6-0167	2	Terminal Bolt, 3/4"-16m W/ 1/4" NPT F
3	call	6-0426	8	Flatwasher
4	call	6-0069	8	Shoulder Bolt, 3/8" x 5/8"
5	BH-7794-37	2-0637	4	Locking Pin Assy.

6	call	6-0505	4	Self Tap Screw, #10 x 1/2"
7	BH-7800-61	6-0013	1	Bulkhead, Conn. 3/8" JIC C/W JAM NUT
8	BH-7796-20	3-0017	1	Tube Assy.
9	BH-7800-84	6-0118	3	Adpt, 3/8" JICM to 1/4" NPT F
10	BH-7791-37	1-0119	1	Hose Assembly
11	BH-7793-60	2-0062	1	Tube Assembly
12	BH-7801-08	6-0171	1	Supply Tube, 3/8" x .049" x 20"
13	BH-7800-62	6-0014	3	Street Tee, 1/4" NPT
14	BH-7800-63	6-0015	1	Street Elbow, 1/4" NPT
15	BH-7802-32	6-0710	2	Poly Tube Straight Adpt., 3/8" x 1/4" NPT
16	BH-7791-38	1-0120	1	Hose, 144" W/B
	BH-7791-41	1-0139	1	Hose, 172" W/B
17	BH-7798-06	6-0337	3	12' Coiled Hose
18	BH-7796-49	3-0197	2	Rear Slip Plate
19	BH-7790-35	6-0829	1 Set	Ball Bearings (225)
20	call	6-0056	12	Lockwasher, 1/4"
21	call	4-0220	2	Turnplate
22	BH-7798-50	6-0170	4	Tube Clamp
23	call	6-0169	4	Self Tap Screw, #10 x 3/8"
24	call	6-0027	12	Hex Hd. Bit., 1/4"-20 x 1-1/4"
25	BH-7794-36	2-0636	4	Space Bar
26	BH-7794-35	2-0635	4	Retaining Bar
27	BH-7801-31	6-0282	2	Plug, 1/4" NPT
28	BH-7790-34	3-0196	2	Rear Bearing Cage
29	BH-7800-64	6-0017	2	Tubing Sleeve, JIC
30	call	6-0016	2	Tubing Nut, 3/8" JIC

**To Order Call: 800-321-8173 or 630-844-5566 / Fax: 800-899-1784 or 630-844-6770**

All names, numbers, symbols and descriptions are used for reference purposes only. It is not implied that any part listed is the product of these manufactures, however, some parts may be the actual product of these manufacturers.

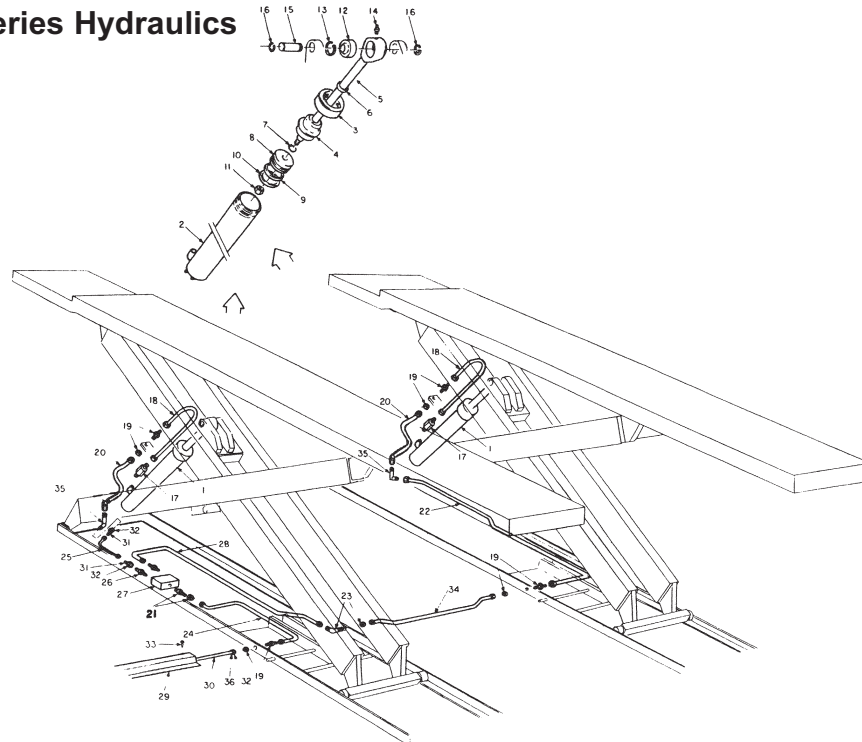




## lift repair parts for Wheeltronic Ltd. lifts

### Space Saver, 9,000 Series - cont.

### Space Saver, 9,000 Series Hydraulics



Item No.	SVI Part Number	Ref. OEM	Qty. Req.	Description
1	BH-7796-08	3-0000	2	Hydraulic Cylinder
1-2	BH-7805-51	2-0000	1	Tube Weldment
1-3	BH-7790-90	1-0011	1	Nut Gland
1-4	BH-7790-89	1-0008	1	Gland
1-5	BH-7793-44	2-0001	1	Rod Weldment
1-6*	BH-7800-52	6-0001	1	Wiper Ring
1-7*	BH-7800-53	6-0002	1	"O" Ring
1-8	BH-7790-88	1-0007	1	Piston
1-9*	BH-7800-54	6-0003	1	Seal Ring
1-10*	BH-7800-55	6-0004	1	Wear Ring
1-11	call	6-0005	1	Nylon Ins. Locknut, 7/8"-14
1-12	BH-7800-56	6-0007	1	Bearing
1-13	BH-7800-67	6-0070	1	Retaining Ring
1-14	BH-7800-51	6-0000	1	Grease Nipple
15	BH-7790-93	1-0029	2	Pin
16	BH-7798-49	6-0340	4	Retaining Ring
17	BH-7790-20	6-0025	2	Velocity Fuse
18	BH-7791-17	1-0093	2	Tube Assy., Cylinder
19	BH-7800-61	6-0013	4	BlkHd., Conn. 3/8" JIC C/W JAM NUT
20	BH-7790-33	2-0624	2	Hose Assembly
21	BH-7801-12	6-0176	1	BlkHd. Adpt., 3/8" BSF to 3/8" JIC
22	BH-7793-64	2-0068	1	Tube Assy., RH.

Item No.	SVI Part Number	Ref. OEM	Qty. Req.	Description
23	BH-7798-41	6-0012	1	BlkHd., 90° Elbow, 3/8" JIC M C/W JAM NUT
24	BH-7793-61	2-0064	1	Tube Assembly
25	BH-7793-78	2-0182	1	Tube Assembly
26	BH-7801-04	6-0156	2	Adpt., 3/8" BSF to 3/8" JIC
27	BH-7790-16	6-0173	1	Flow Divider (With Fittings)
28	BH-7793-63	2-0066	1	Tube Assembly
29	BH-7795-27	2-1104	5	Line Cover
30	BH-7801-08	6-0171	1	Supply Tube, 3/8" x .049" Wall x 20'
31	BH-7801-41	6-0378	2	Reducer Nipple, 3/8" to 1/4"
32	call	6-0016	2	Nut, 3/8" Tube
33	BH-7801-00	6-0141	22	Concrete Nail, 1/4" X 1"
34	BH-7793-62	2-0065	1	Tube Assembly
35	BH-7801-10	6-0174	2	Adapter, 90° Extended
36	BH-7800-64	6-0017	2	Sleeve
*Hydraulic Cylinder Seal Kit Part #0-0007				
Complete Power Packs				
	BH-7790-50	0-0014		Hyd. Power Pack 220V/1PH
	BH-7790-51	0-0015		Hyd. Power Pack 550V/3PH
	BH-7790-52	0-0016		Hyd. Power Pack 220V/3PH

**To Order Call: 800-321-8173 or 630-844-5566 / Fax: 800-899-1784 or 630-844-6770**

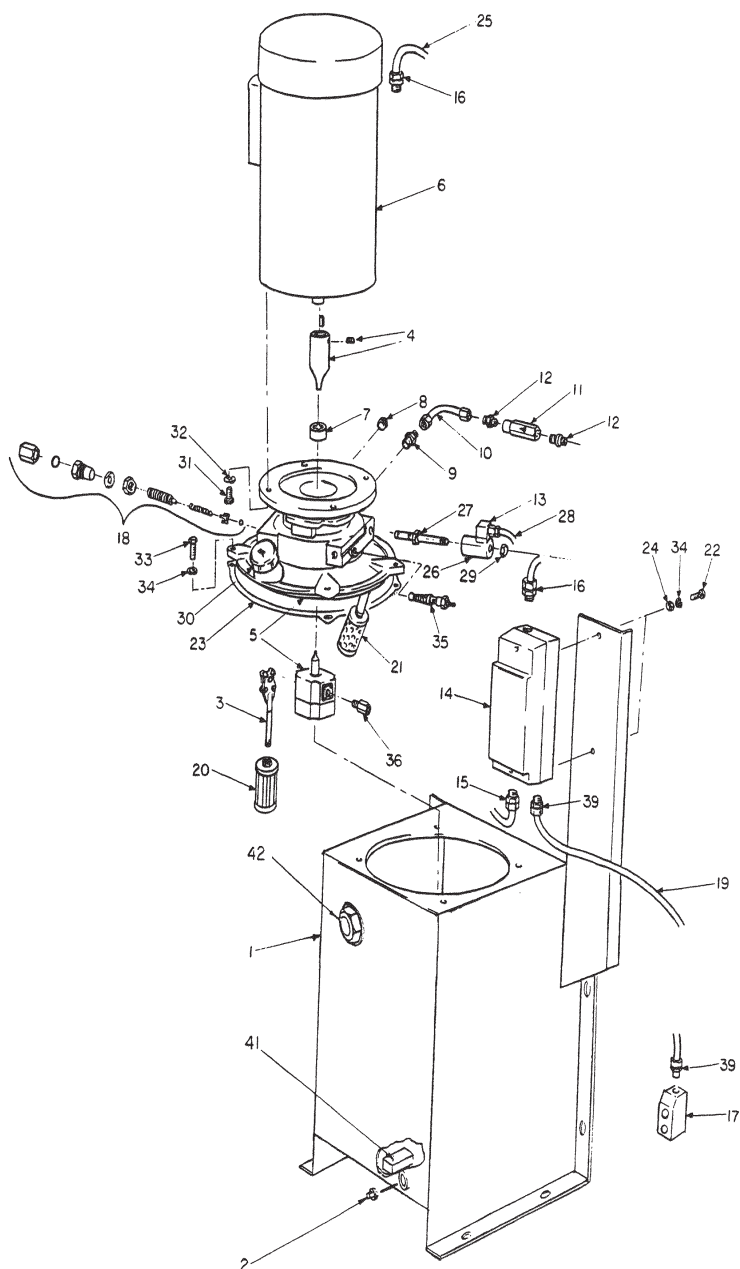
All names, numbers, symbols and descriptions are used for reference purposes only. It is not implied that any part listed is the product of these manufactures, however, some parts may be the actual product of these manufacturers.



## lift repair parts for Wheeltronic Ltd. lifts

### Space Saver, 9,000 Series - cont.

### Space Saver, 9,000 Series Power Pack



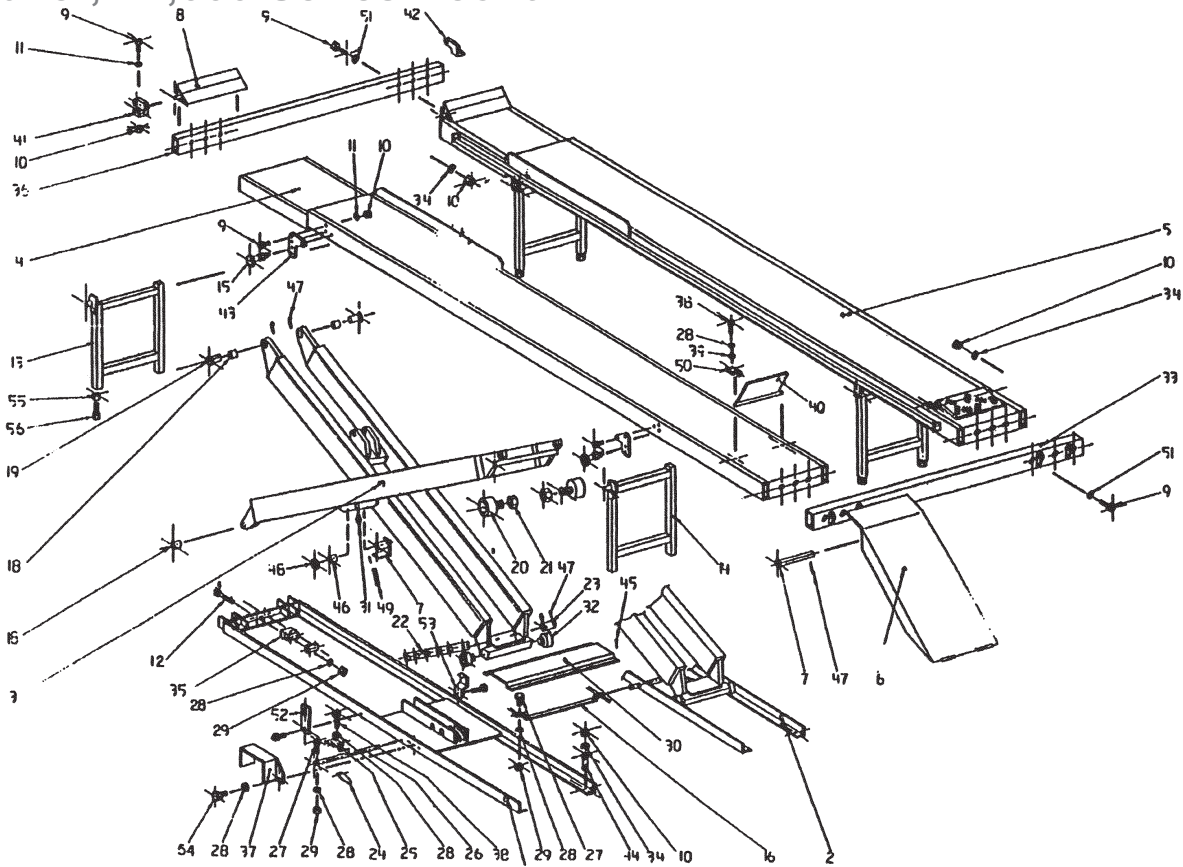
Item No.	SVI Part Number	Ref. OEM	Qty. Req.	Description
1	BH-7799-22	4-0146	1	Oil Reservoir
2	BH-7800-82	6-0102	1	Plug, 3/8" NPT
3	BH-7801-47	6-0428	1	Flange and Pipe Strainer
4	BH-7801-48	6-0429	1	Shaft Adpt. W/Set Screw
5	BH-7801-52	6-0433	1	Pump Assy. (Inc. Pump, Block & Fringe)
6	BH-7800-71	6-0087	1	Motor, 200/V 1PH
	BH-7801-54	6-0446	1	Motor, 208/V 3PH
	BH-7801-55	6-0447	2	Motor, 550/V 3PH
7	BH-7801-49	6-0430	1	Coupling
8	BH-7800-73	6-0089	1	Plug
9	BH-7800-66	6-0020	1	Hyd. Adpt.
10	BH-7791-24	1-0102	1	Tube Elbow
11	BH-7800-74	6-0090	1	Flow Control Valve
12	BH-7800-59	6-0011	2	Adpt, 3/8" JIC to 3/8" M NPT
13	BH-7800-75	6-0091	1	Solenoid Elect. Plug
14	BH-7802-72	6-0805	1	Contr. Motor Starter, 220V/1PH
	BH-7801-56	6-0448	1	Contr. Motor Starter, 208V/3PH
	BH-7801-57	6-0449	1	Contr. Motor Starter, 550V/3PH
15	BH-7800-76	6-0092	1	Strain Rel. Connector, 1/4"
16	BH-7800-78	6-0094	2	Strain Rel. Connector, 1/2"
17	BH-7798-07	6-0096	1	Remote Hand Control
18	BH-7801-50	6-0431	1	Pressure Relief Valve
19	BH-7791-25	1-0103	1	Remote Control Cable
20	BH-7801-53	6-0434	1	Strainer
21	BH-7800-79	6-0097	1	Oil Filter
22	call	6-0400	2	Rd. Hd. Screw, 1/4"-20 x 1/2"
23	BH-7791-51	1-0225	1	Rubber Gasket
24	BH-7798-13	6-0032	2	Nut, 1/4"-20
25	BH-7791-26	1-0104	1	Motor Cable
26	BH-7790-39	6-0100	1	Solenoid
27	BH-7790-29	6-0101	1	Solenoid Valve Spool
28	BH-7791-27	1-0105	1	Solenoid Cable
29	BH-7801-51	6-0432	1	Cap Nut for Solenoid
30	BH-7800-81	6-0099	1	Filter Cap
31	call	6-0067	4	Hex Bolt, 3/8"-16 x 1"
32	call	6-0058	4	Lockwasher, 3/8"
33	call	6-0027	4	Hex Bolt, 1/4"-20 x 1"
34	call	6-0056	6	Lockwasher, 1/4"
35	BH-7790-40	6-0145	1	Manual Descend Valve
36	BH-7801-01	6-0144	1	Pres. Time Delay Valve
37	BH-7801-00	6-0141	4	Concrete Nail, 1/4" x 1"
38	BH-7801-42	6-0379	16L	Hyd. Oil, ISO-32
39	BH-7800-77	6-0093	2	Strain Rel. Conn., 3/8"
40	BH-7801-43	6-0385	1	Anti-Slip Diff. Fluid
41	BH-7801-44	6-0405	1	Magnet
42	BH-7801-80	6-0517	1	Oil Sight Level Plug

To Order Call: 800-321-8173 or 630-844-5566 / Fax: 800-899-1784 or 630-844-6770

All names, numbers, symbols and descriptions are used for reference purposes only. It is not implied that any part listed is the product of these manufactures, however, some parts may be the actual product of these manufacturers.

## lift repair parts for Wheeltronic Ltd. lifts

### Space Saver, 12,000 Series - cont.



Item No.	SVI Part Number	Ref. OEM	Qty. Req.	Description
1	BH-7797-85	4-0160	1	Base Frame, Driver Side
2	BH-7799-28	4-0161	1	Base Frame, Pass. Side
3	BH-7799-23	4-0153	2	Scissor Weldment
4	BH-7799-25	4-0158	1	Align. Deck, Driver Side
5	BH-7799-26	4-0159	1	Align. Deck, Pass. Side
6	BH-7796-61	3-0285	2	Approach Ramp
7	BH-7791-19	1-0095	2	Ramp Pin
8	BH-7794-04	2-0432	2	Wheel Stop (Front)
9	call	6-0291	32	Hex Nut, 1/2"-13 x 1-1/2"
10	call	6-0035	36	Hex Nut, 1/2"-13
11	call	6-0059	22	Lockwasher, 1/2"
12	call	6-0177	4	1/4"-20 x 2"
13	BH-7796-68	3-0300	2	Leveling Leg, Front DS, Rear PS
14	BH-7796-67	3-0299	2	Leveling Leg, Front PS, Rear DS
15	BH-7790-24	2-0086	4	Plunger Pin Assy.
16	BH-7793-66	2-0071	1	Safety Rel. Conn. Rod
17	BH-7805-52	1-0106	4	Fulcrum Pin, 1-1/4"
18	BH-7800-70	6-0085	8	Bushing, 1"

Item No.	SVI Part Number	Ref. OEM	Qty. Req.	Description
19	BH-7791-29	1-0107	8	End Hinge Pin, 1"
20	BH-7798-08	6-0076	4	Cam Follower
21	call	6-0040	4	Jam Nut, 5/8"-18
22	BH-7794-01	2-0405	2	Safety Bar
23	BH-7791-81	1-0547	2	Pins
24	BH-7793-83	2-0194	2	Safety Pedal
25	BH-7791-46	1-0189	2	Safety Release Tab
26	BH-7794-03	2-0428	2	Safety Release Rod
27	call	6-0027	6	Hex Bolt, 1/4"-20 x 1-1/4"
28	call	6-0056	18	Lockwasher, 1/4"
29	BH-7798-13	6-0032	10	Hex Nut, 1/4"-20
30	BH-7796-45	3-0164	1	Center Cover
31	BH-7800-51	6-0000	4	Grease Nipple
32	BH-7790-26	6-0077	4	Cam Follower
33	BH-7796-65	3-0297	1	Rear Crossmember
34	call	6-0439	16	Plain Washer, 1/2"
35	BH-7801-09	6-0172	2	Rubber Support Assy.
36	BH-7796-66	3-0298	1	Front Crossmember
37	BH-7792-06	1-0698	2	Toe Guard
38	call	6-0178	8	Hex Bolt, 1/4"-20 x 3/4"
39	call	6-0060	4	Flatwasher, 1/4"

**To Order Call: 800-321-8173 or 630-844-5566 / Fax: 800-899-1784 or 630-844-6770**

All names, numbers, symbols and descriptions are used for reference purposes only. It is not implied that any part listed is the product of these manufactures, however, some parts may be the actual product of these manufacturers.



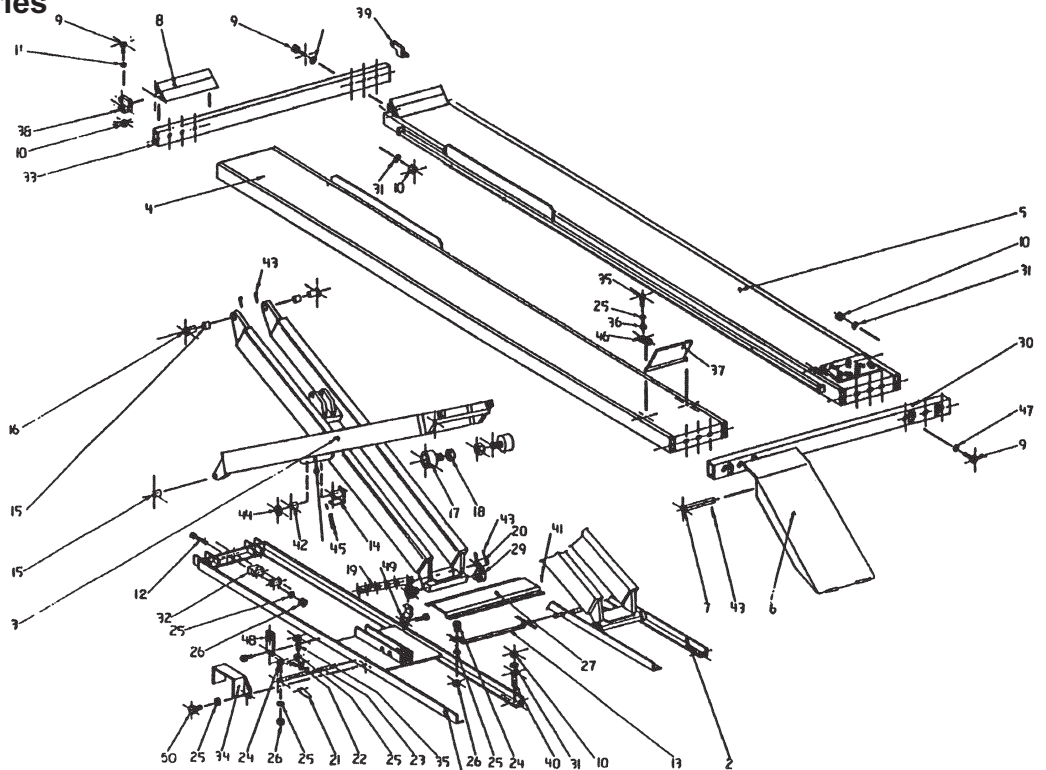
lift repair parts for Wheeltronic Ltd. lifts

Space Saver, 12,000 Series - cont.

Item No.	SVI Part Number	Ref. OEM	Qty. Req.	Description
40	BH-7793-96	2-0343	2	Rear Wheel Stop
41	BH-7792-05	1-0691	1	Front W/S Bracket, D.S.
42	BH-7792-04	1-0690	1	Front W/S Bracket, Pass. Side
43	BH-7793-73	2-0118	4	Outside Leg Bracket
44	BH-7800-99	6-0140	16	Wedge Anchor, 1/2" x 4-1/2"
45	BH-7801-00	6-0141	4	Concrete Nail, 1/4" x 1"
46	BH-7800-69	6-0084	8	Bushing, 1-1/4"
47	BH-7798-76	6-0115	14	Cotter Pin

Item No.	SVI Part Number	Ref. OEM	Qty. Req.	Description
48	BH-7791-42	1-0140	4	Washer
49	BH-7801-02	6-0146	4	Spring Pin, 3/16" x 2"
50	BH-7791-79	1-0432	4	Rear Wheel Stop Clip
51	call	6-0439	6	Flatwasher, 1/2"
52	BH-7792-08	1-0728	4	Shipping Bracket Flat
54	call	6-0554	4	Hex Bolt, 1/4"-20 x 2-1/2"
55	call	6-0041	8	Jam Nut
56	call	6-0050	8	Tap Bolt, 3/4" x 4"

Space Saver, 12,000 Series  
Main Frame Assembly,  
Service & Rust Proofer



Item No.	SVI Part Number	Ref. OEM	Qty. Req.	Description
1	BH-7799-27	4-0160	1	Base Frame, Driver Side
2	BH-7799-28	4-0161	1	Base Frame, Pass. Side
3	BH-7799-23	4-0153	2	Scissor Weldment
4	BH-7799-29	4-0162	1	Ser. Deck, Driver Side
5	BH-7799-30	4-0163	1	Ser. Deck, Pass. Side
6	BH-7796-61	3-0285	2	Approach Ramp
7	BH-7791-19	1-0095	2	Ramp Pin
8	BH-7794-04	2-0432	2	Wheel Stop
9	call	6-0291	20	Hex Bolt, 1/2"-13 x 1-1/2"

Item No.	SVI Part Number	Ref. OEM	Qty. Req.	Description
10	call	6-0035	24	Hex Nut, 1/2"-13
11	call	6-0059	10	Lockwasher, 1/2"
12	call	6-0177	4	1/4"-20 x 2" Lg.
13	BH-7793-66	2-0071	1	Safety Rel. Con. Rod
14	BH-7805-52	1-0106	4	Fulcrum Pin, 1-1/4"
15	BH-7800-70	6-0085	8	Bushing, 1"
16	BH-7805-53	1-0707	8	End Hinge Pin, 1"
17	BH-7798-08	6-0076	4	Cam Flower
18	call	6-0040	4	Jam Nut, 5/8"-18

To Order Call: 800-321-8173 or 630-844-5566 / Fax: 800-899-1784 or 630-844-6770

All names, numbers, symbols and descriptions are used for reference purposes only. It is not implied that any part listed is the product of these manufactures, however, some parts may be the actual product of these manufacturers.





lift repair parts for Wheeltronic Ltd. lifts

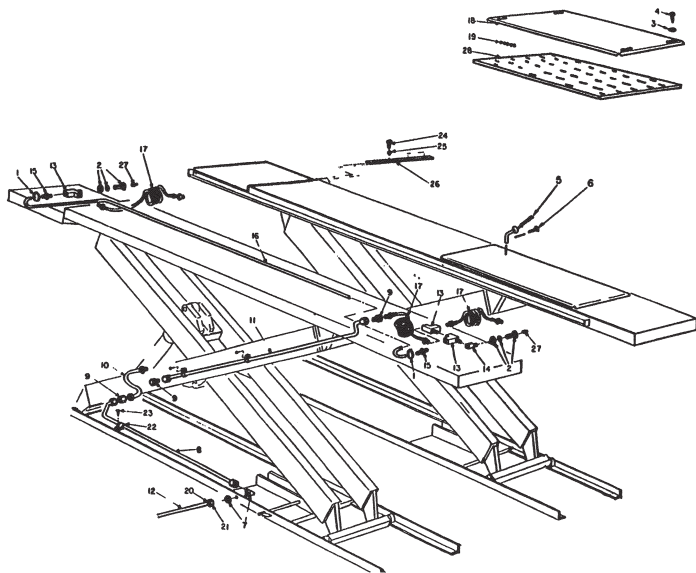
Space Saver, 12,000 Series - cont.

Space Saver, 12,000 Series Main Frame Assembly, Service & Rust Proofer cont.

Item No.	SVI Part Number	Ref. OEM	Qty. Req.	Description
19	BH-7794-01	2-0405	2	Safety Bar
20	BH-7790-95	1-0034	2	Pins
21	BH-7793-83	2-0194	2	Safety Pedal
22	BH-7791-46	1-0189	2	Safety Rel. Tab
23	BH-7794-03	2-0428	2	Safety Rel. Rod
24	call	6-0027	6	Hex Bolt, 1/4"-20 x 1-1/4"
25	call	6-0056	18	Lockwasher, 1/4"
26	BH-7798-13	6-0032	10	Hex Nut, 1/4"-20
27	BH-7796-45	3-0164	1	Center Cover
28	BH-7800-51	6-0000	4	Grease Nipple
29	BH-7790-26	6-0077	4	Cam Follower
30	BH-7796-66	3-0298	1	Rear Crossmember
31	call	6-0063	16	Plain Washer
32	BH-7801-09	6-0172	2	Rubber Support Assy.
33	BH-7796-66	3-0298	1	Front Crossmember

Item No.	SVI Part Number	Ref. OEM	Qty. Req.	Description
34	BH-7792-06	1-0698	2	Toe Guard
35	call	6-0178	8	Hex Bolt, 1/4"-20 x 3/4"
36	call	6-0060	4	Flatwasher, 1/4"
37	BH-7793-96	2-0343	2	Rear Wheel Stop
38	BH-7792-05	1-0691	1	Front W/S Bracket
39	BH-7792-04	1-0690	1	Front W/S Bracket
40	BH-7800-99	6-0140	16	Wedge Anchor, 1/2" x 4-1/2"
41	BH-7801-00	6-0141	4	Concrete Nail, 1/4" x 1"
42	BH-7800-69	6-0084	8	Bushing, 1-1/4"
43	BH-7798-76	6-0115	14	Cotter Pin
44	BH-7791-42	1-0140	4	Washer
45	BH-7801-02	6-0146	4	Spring Pin, 3/16" x 2"
46	BH-7791-79	1-0432	4	Rear Wheel Stop Clip
47	BH-7791-80	1-0439	6	Flatwasher, 1/2"
48	BH-7792-08	1-0728	4	Shipping Bracket
49	call	6-0554	4	Hex Bolt, 1/4"-20 x 2-1/2"

Space Saver, 12,000 Series Options



1	BH-7801-07	6-0168	2	Hose Clamp, HF-5
2	BH-7801-06	6-0167	2	Terminal Bolt, 3/4"-16m W/1/4" FNPT
3	call	6-0426	8	Flatwasher
4	call	6-0069	8	Shoulder Bolt, 3/8" x 5/8"

5	BH-7791-36	1-0117	4	Locking Pin Assy.
6	call	6-0505	4	Self Tap Screw, #10 x 1/2"
7	BH-7798-41	6-0012	1	Bulkhead, 90° Elbow, C/W JAM Nut
8	BH-7796-20	3-0017	1	Tube Assy.
9	BH-7800-84	6-0118	3	Adpt, 3/8M JIC to 1/4" FNPT
10	BH-7791-37	1-0119	1	Hose Assembly
11	BH-7793-60	2-0062	1	Tube Assembly
12	BH-7801-08	6-0171	1	Tube, 3/8" x .049" x 20'
13	BH-7800-62	6-0014	3	Street Tee, 1/4" NPT
14	BH-7800-63	6-0015	1	Street Elbow
15	BH-7800-85	6-0121	2	Hose Barb Fitting, 1/4" NPT, 3/8" Hose
16	BH-7791-41	1-0139	1	Hose, 172" W/B
17	BH-7798-06	6-0337	3	Street Tee, 1/4" NPT
18	BH-7796-49	3-0197	2	Rear Steer Plate
19	BH-7801-46	6-0427	1 Set	Ball Bearing
20	BH-7800-64	6-0017	2	Sleeve, JIC
21	call	6-0016	2	Nut, 3/8" JIC
22	BH-7798-50	6-0170	4	Tube Clamp
23	call	6-0169	4	Self Tap Screw, #10 x 3/8"
24	call	6-0178	16	Hex Blt., 1/4"-20 x 3/4"
25	call	6-0056	16	Lockwasher
26	BH-7791-77	1-0391	4	Turn Plate Guide
27	BH-7801-31	6-0282	2	Plug, 1/4" NPT
28	BH-7790-34	3-0196	2	Bearing Plate

To Order Call: 800-321-8173 or 630-844-5566 / Fax: 800-899-1784 or 630-844-6770

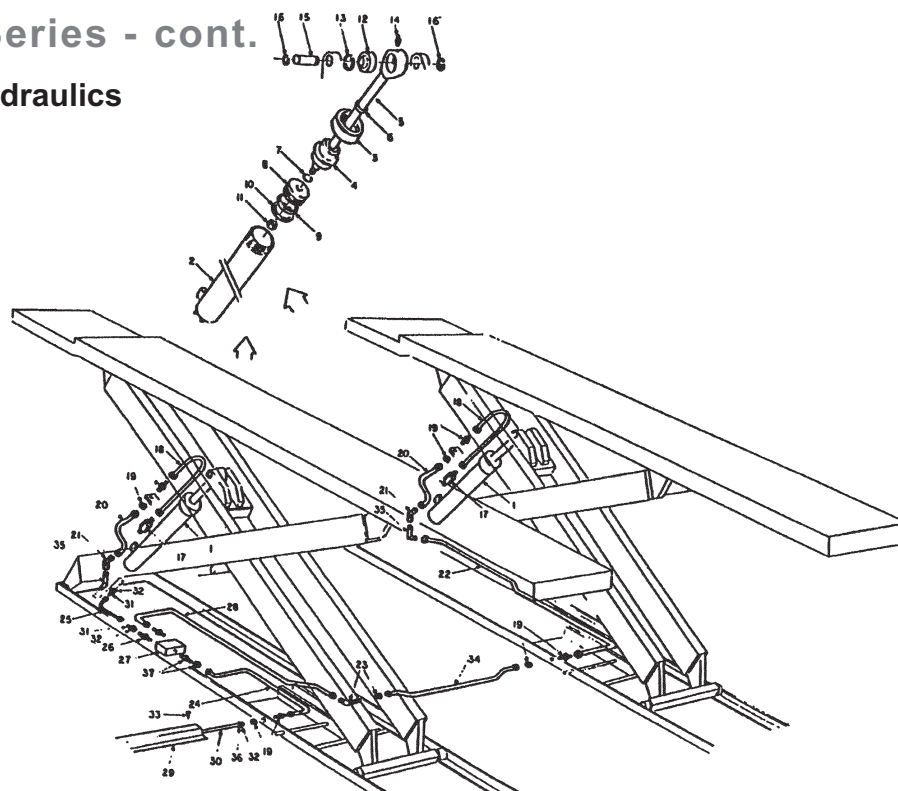
All names, numbers, symbols and descriptions are used for reference purposes only. It is not implied that any part listed is the product of these manufactures, however, some parts may be the actual product of these manufacturers.



## lift repair parts for Wheeltronic Ltd. lifts

### Space Saver, 12,000 Series - cont.

### Space Saver, 12,000 Series Hydraulics



Item No.	SVI Part Number	Ref. OEM	Qty. Req.	Description	Item No.	SVI Part Number	Ref. OEM	Qty. Req.	Description
1	BH-7796-08	3-0000	2	Hydraulic Cylinder	24	BH-7793-61	2-0064	1	Tube Assembly
1-2	BH-7796-24	3-0077	1	Tube Weldment	25	BH-7793-78	2-0182	1	Tube Assembly
1-3	BH-7790-90	1-0011	1	Nut Gland	26	BH-7801-04	6-0156	2	Adpt., 3.8 BSP to 3/8" JIC
1-4	BH-7790-89	1-0008	1	Gland	27	BH-7790-16	6-0173	1	Flow Divider (With Fittings)
1-5	BH-7793-44	2-0001	1	Rod Weldment	28	BH-7793-63	2-0066	1	Tube Assembly
1-6	BH-7800-52	6-0001*	1	Wiper Ring	29	BH-7793-53	2-0015	4	Line Cover
1-7	BH-7800-53	6-0002*	1	"O" Ring	30	BH-7801-08	6-0171	1	Supply Tube, 3/8" x .049" Wall x 20"
1-8	BH-7790-88	1-0007	1	Piston	31	BH-7801-41	6-0378	2	Reducer Nipple, 3/8" to 1/4"
1-9	BH-7800-54	6-0003*	1	Seal Ring	32	call	6-0016	4	Nut, 3/8" Tube
1-10	BH-7800-55	6-0004*	1	Wear Ring	33	BH-7801-00	6-0141	16	Concrete Nail, 1/4" X 1"
1-11	call	6-0005	1	Nut, Nylon 7/8"-14	34	BH-7794-09	2-0519	1	Tube Assembly
1-12	BH-7800-56	6-0007	1	Bearing	35	BH-7801-10	6-0174	2	Adapter, 90° Extended
1-13	BH-7800-67	6-0070	1	Retaining Ring	36	BH-7800-64	6-0017	2	Sleeve
1-14	BH-7800-51	6-0000	1	Grease Nipple	37	BH-7801-12	6-0176	1	BlkHd. Adpt., 3/8" BSP to 3/8" JIC
15	BH-7790-93	1-0029	2	Pin	*Hydraulic Cylinder Seal Kit Part #0-0007				
16	BH-7798-49	6-0340	4	Retaining Ring	Complete Power Packs				
17	BH-7790-20	6-0025	2	Velocity Fuse	BH-7790-63	0-0123			Hyd. Power Pack 220V/1PH/2 Stage
18	BH-7791-17	1-0093	2	Tube Assy., Cylinder	BH-7790-51	0-0015			Hyd. Power Pack 550V/3PH
19	BH-7800-61	6-0013	4	BlkHd., Conn. 3/8" JIC C/W Jam Nut	BH-7790-52	0-0016			Hyd. Power Pack 220V/3PH
20	BH-7792-03	1-0649	2	Hose Assembly, 1200					
21	BH-7801-11	6-0175	2	Adpt., 45° Elbow					
22	BH-7793-64	2-0068	1	BlkHd., 90° Elbow C/W Jam Nut					

**To Order Call: 800-321-8173 or 630-844-5566 / Fax: 800-899-1784 or 630-844-6770**

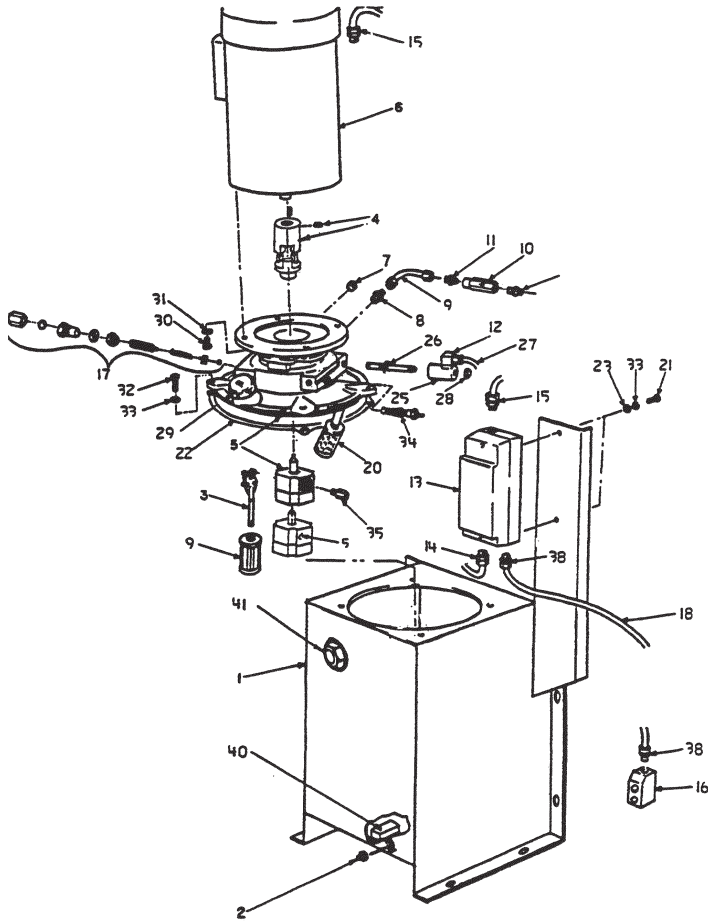
All names, numbers, symbols and descriptions are used for reference purposes only. It is not implied that any part listed is the product of these manufactures, however, some parts may be the actual product of these manufacturers.



lift repair parts for Wheeltronic Ltd. lifts

Space Saver, 12,000 Series - cont.

Space Saver, 12,000 Series Power Pack



Item No.	SVI Part Number	Ref. OEM	Qty. Req.	Description
13B	BH-7801-56	6-0448	1	Contr. Motor Starter, 208 V/3 PH
13C	BH-7801-57	6-0449	1	Contr. Motor Starter, 550 V/3 PH
14	BH-7800-76	6-0092	1	Strain Relf. Connector, 1/4"
15	BH-7800-78	6-0094	2	Strain Relf. Connector, 1/2"
16	BH-7798-07	6-0096	1	Remote Hand Control
17	BH-7801-50	6-0431	1	Pressure Relief Valve
18	BH-7791-25	1-0103	1	Remote Control Cable
19	BH-7801-53	6-0434	1	Strainer
20	BH-7800-79	6-0097	1	Oil Filter & Tube 12000
22	BH-7791-51	1-0225	1	Rubber Gasket
23	BH-7798-13	6-0032	1	Nut, 1/4"-20
24	BH-7791-26	1-0104	1	Motor Cable
25	BH-7790-39	6-0100	1	Solenoid
26	BH-7790-29	6-0101	1	Solenoid Valve Spool 12000, 5000 P.S.I.
27	BH-7791-27	1-0150	1	Solenoid Cable
28	BH-7801-51	6-0432	1	Solenoid Cap Nut
29	BH-7800-81	6-0099	1	Filler Cap
30	call	6-0067	4	Hex Blt., 3/8"-16 x 1"
31	call	6-0058	4	Lockwasher
32	call	6-0027	4	Hex Blt., 1/4"-20 x 1"
33	call	6-0056	6	Lockwasher, 3/8"
34	BH-7790-40	6-0145	1	Manual Descend Valve
35	BH-7801-01	6-0144	1	Pressure-time Delay Valve
36	BH-7801-00	6-0141	4	Concrete Nail, 1/4" x 1"
37	BH-7801-42	6-0379	16L	Hydraulic Oil, ISO-32
38	BH-7800-77	6-0093	2	Strain Rel. Conn., 3/8"
39	BH-7801-43	6-0385	1	Anti Slip Diff. Fluid

Item No.	SVI Part Number	Ref. OEM	Qty. Req.	Description
----------	-----------------	----------	-----------	-------------

1	BH-7799-22	4-0146	1	Oil Reservoir
2	BH-7800-82	6-0102	1	Plug, 3/8" NPT
3	BH-7805-54	6-0544	1	Flange and Pipe Strainer
4	BH-7801-83	6-0542	1	Motor Coupler
5	BH-7801-82	6-0541	1	1001 Pump Assy. (Inc. Pump, Block & Flange)
6A	BH-7800-71	6-0087	1	Motor, 220 V/1 PH
6B	BH-7801-54	6-0446	1	Motor, 208 V/3 PH
6C	BH-7801-55	6-0447	1	Motor, 550 V/3 PH
7	BH-7800-73	6-0089	1	Plug
8	BH-7800-66	6-0020	1	Hydraulic Adpt.
9	BH-7791-24	1-0102	1	Tube Assembly
10	BH-7800-74	6-0090	1	Flow Control Valve
11	BH-7800-59	6-0011	2	Adpt., 3/8" JIC to 3/8" M NPT
12	BH-7800-75	6-0091	1	Solenoid Elect. Plug
13A	BH-7790-30	6-0095	1	Contr. Motor Starter, 220V/1PH

**Model 036  
Turntable Kit  
Part #00408**

Item No.	SVI Part Number	Ref. OEM	Qty. Req.	Description
----------	-----------------	----------	-----------	-------------

1	BH-7805-55	10893	8	Tension Spring
2	BH-7805-56	60663	2	Int. Locktooth Washer, 5/8"
3	BH-7805-57	11028	2	Center Bolt
4	BH-7805-58	20633	2	Indicator
5	BH-7805-59	00184	2	9/16" Solid Derlin Balls (30)
6	BH-7805-60	20637	4	Locking Pin Assy.
7	BH-7805-61	30366	2	Top Plate Marker
8	BH-7805-62	60815	4	#10-24 Binder HD. Screw

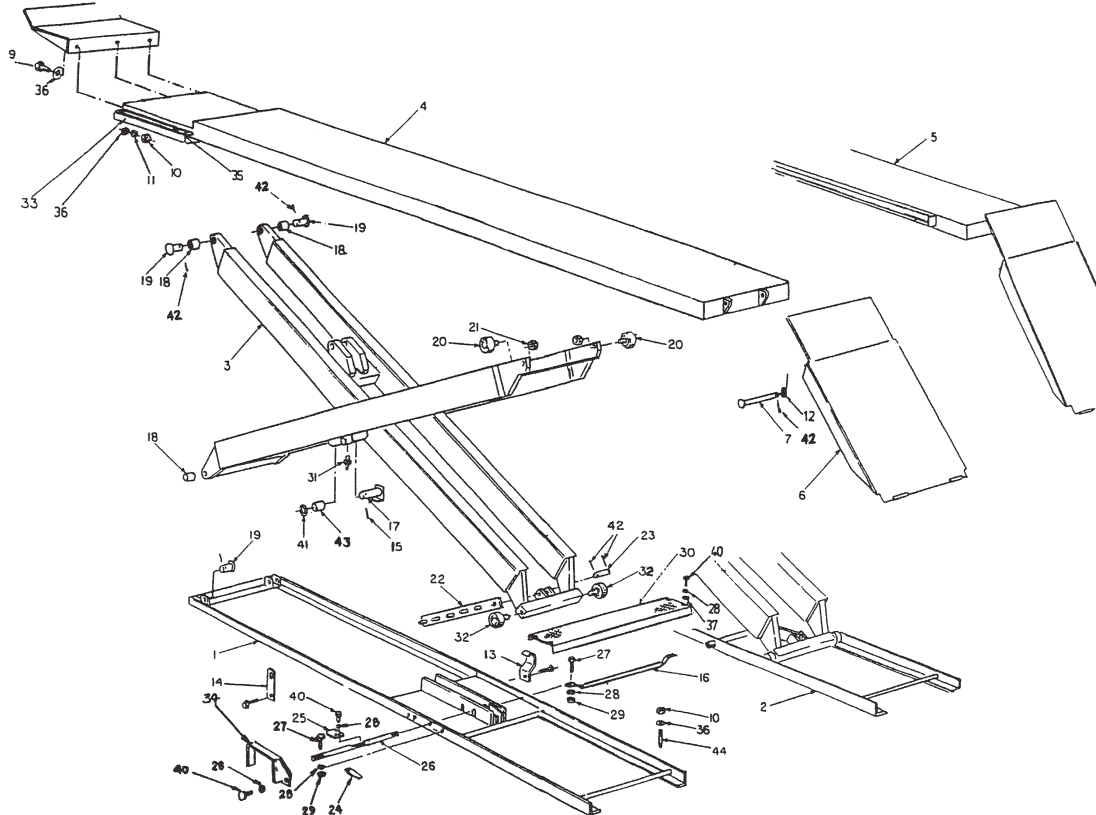
To Order Call: 800-321-8173 or 630-844-5566 / Fax: 800-899-1784 or 630-844-6770

All names, numbers, symbols and descriptions are used for reference purposes only. It is not implied that any part listed is the product of these manufactures, however, some parts may be the actual product of these manufacturers.



lift repair parts for Wheeltronic Ltd. lifts

EELR113A & EELR114A



Item No.	SVI Part Number	Ref. OEM	Qty. Req.	Description	Item No.	SVI Part Number	Ref. OEM	Qty. Req.	Description
1	BH-7799-08	4-0112	1	Base Frame, L.S.	21	call	6-0040	4	Jam Nut, 5/8"-18
2	BH-7799-09	4-0113	1	Base Frame, R.S.	22	BH-7794-01	2-0405	2	Safety Bar
3	BH-7798-87	4-0002	2	Scissor Weldment	23	BH-7791-81	1-0547	2	Safety Pins
4	BH-7799-78	4-0379	1	Align. Deck, L.S. (144" W/B)	24	BH-7793-83	2-0194	2	Safety Pedal
	BH-7799-87	4-0415	1	Align. Deck, L.S. (172" W/B)	25	BH-7791-46	1-0189	2	Safety Release Tab
5	BH-7799-79	4-0380	1	Align. Deck, R.S. (144" W/B)	26	BH-7793-65	2-0069	2	Safety Release Rod
	BH-7799-88	4-0416	1	Align. Deck, R.S. (172" W/B)	27	call	6-0027	6	Hex Bolt, 1/4"-20 x 1-1/4"
6	BH-7796-61	3-0285	2	Approach Ramp	28	call	6-0056	18	Lockwasher, 1/4"
7	BH-7791-19	1-0095	2	Ramp Pin	29	BH-7798-13	6-0032	6	Hex Nut, 1/4"-20
8	BH-7794-76	2-0851	2	Wheel Stop (Front)	30	BH-7796-84	3-0365	1	Center Cover
9	call	6-0291	6	Hex Nut, 1/2"-13 x 1-1/2"	31	BH-7800-51	6-0000	4	Grease Nipple
10	call	6-0035	18	Hex Nut, 1/2"-13	32	BH-7790-26	6-0077	4	Cam Follower
11	call	6-0059	6	Lockwasher, 1/2"	33	BH-7793-97	2-0362	2	Pull Out Step Assy.
12	call	6-0808	2	51/64" x 1" x 1/8" Thick Flatwasher	34	BH-7791-14	1-0086	2	Toe Guard
13	BH-7793-70	2-0112	2	Shipping Bracket	35	BH-7792-14	1-0749	2	Safety Walk Tape
14	BH-7793-88	2-0266	2	Flat Shipping Bracket	36	call	6-0063	24	Plainwasher, 1/2"
15	BH-7801-02	6-0146	4	Spring Pin 3/16" x 2"	37	call	6-0060	4	Flatwasher, 1/4"
16	BH-7793-66	2-0071	1	Safety Rel. Conn. Rod	40	call	6-0178	12	Hex Bolt, 1/4"-20 x 3/4"
17	BH-7805-52	1-0106	4	Fulcrum Pin, 1-1/4"	41	BH-7791-42	1-0140	4	Washer
18	BH-7800-70	6-0085	8	Bushing, 1"	42	BH-7798-76	6-0115	14	Cotter Pin, 1/8" x 2"
19	BH-7791-29	1-0107	8	End Hinge Pin, 1"	43	BH-7800-69	6-0084	4	Bushing, 1-1/4"
20	BH-7801-88	6-0637	4	Cam Follower	44	BH-7800-99	6-0140	12	Wedge Anchor, 1/2" x 4-1/2"

To Order Call: 800-321-8173 or 630-844-5566 / Fax: 800-899-1784 or 630-844-6770

All names, numbers, symbols and descriptions are used for reference purposes only. It is not implied that any part listed is the product of these manufactures, however, some parts may be the actual product of these manufacturers.

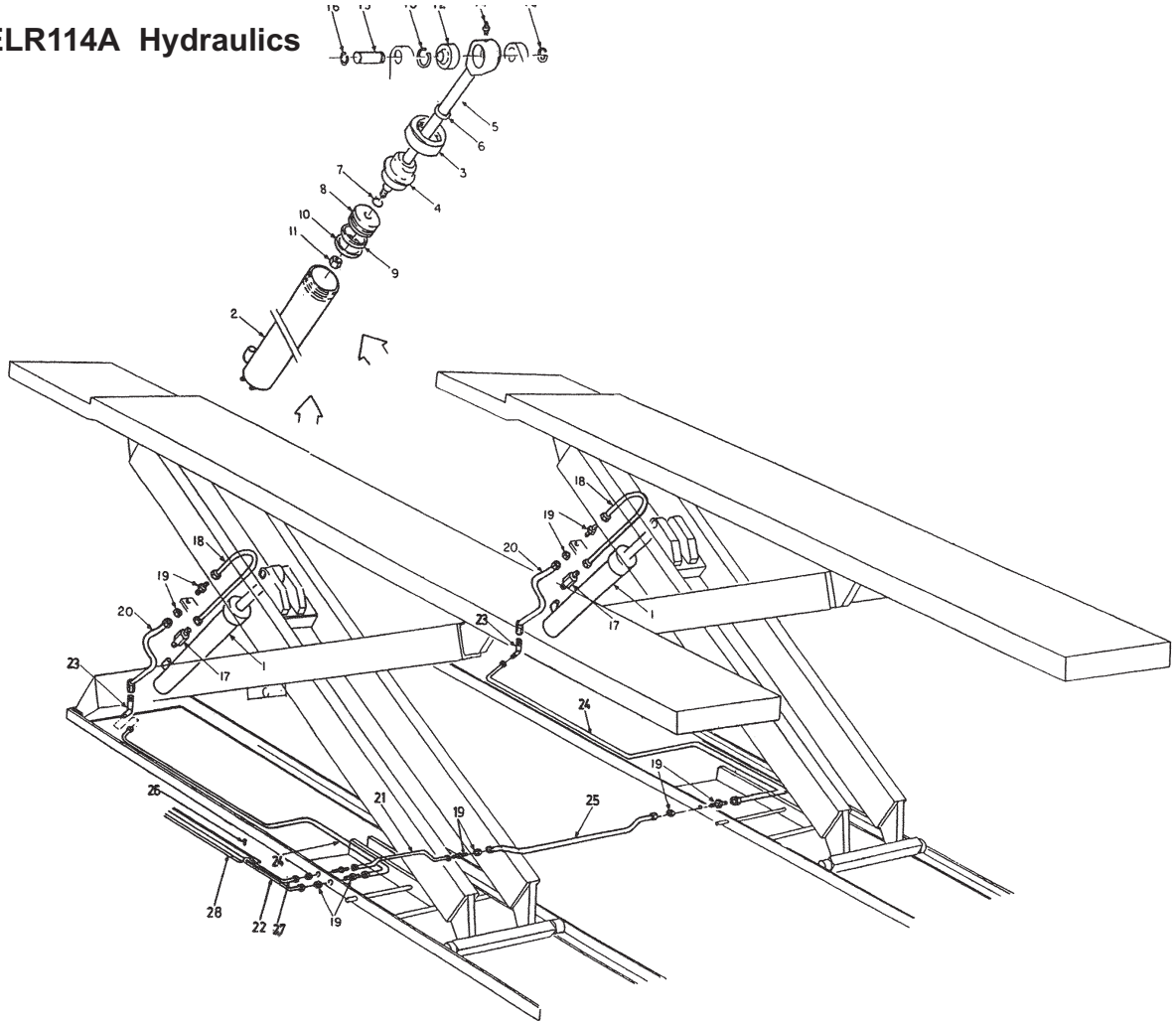




lift repair parts for Wheeltronic Ltd. lifts

EELR113A & EELR114A - cont.

EELR113A & EELR114A Hydraulics



Item No.	SVI Part Number	Ref. OEM	Qty. Req.	Description
1	BH-7796-08	3-0000	2	Hydraulic Cylinder
1-2	BH-7805-51	2-0000	1	Tube Weldment
1-3	BH-7790-90	1-0011	1	Nut Gland
1-4	BH-7790-89	1-0008	1	Gland
1-5	BH-7793-44	2-0001	1	Rod Weldment
1-6*	BH-7800-52	6-0001	1	Wiper Ring
1-7*	BH-7800-53	6-0002	1	"O" Ring
1-8	BH-7790-88	1-0007	1	Piston
1-9*	BH-7800-54	6-0003	1	Seal Ring
1-10*	BH-7800-55	6-0004	1	Wear Ring
1-11	call	6-0005	1	Nut, Nylon 7/8"-14
1-12	BH-7800-56	6-0007	1	Bearing
1-13	BH-7800-67	6-0070	1	Retaining Ring
1-14	BH-7800-51	6-0000	1	Grease Nipple
15	BH-7790-93	1-0029	2	Pin
16	BH-7798-49	6-0340	4	Retaining Ring

Item No.	SVI Part Number	Ref. OEM	Qty. Req.	Description
17	BH-7790-20	6-0025	2	Velocity Fuse
18	BH-7791-17	1-0093	2	Tube Assy., Cylinder
19	BH-7800-61	6-0013	6	BlkHd., Conn. 3/8" JIC C/W Jam Nut
20	BH-7790-33	2-0624	2	Hose Assembly
21	BH-7794-74	2-0848	1	Tube Assembly
22	BH-7795-15	2-1050	1	Hydraulic Hose Assembly
23	BH-7798-41	6-0012	2	Bulkhead, 90° Elbow, 3/8" JIC C/W Jam Nut
24	BH-7794-75	2-0849	2	Tube Assembly
25	BH-7793-62	2-0065	1	Tube Assembly
26	BH-7801-00	6-0141	20	Concrete Nail, 1/4" x 1"
27	BH-7795-14	2-1049	1	Hydraulic Hose Assembly
28	BH-7795-27	2-1104	5	Line Cover

\*Hydraulic Cylinder Seal Kit Part #0-0007

To Order Call: 800-321-8173 or 630-844-5566 / Fax: 800-899-1784 or 630-844-6770

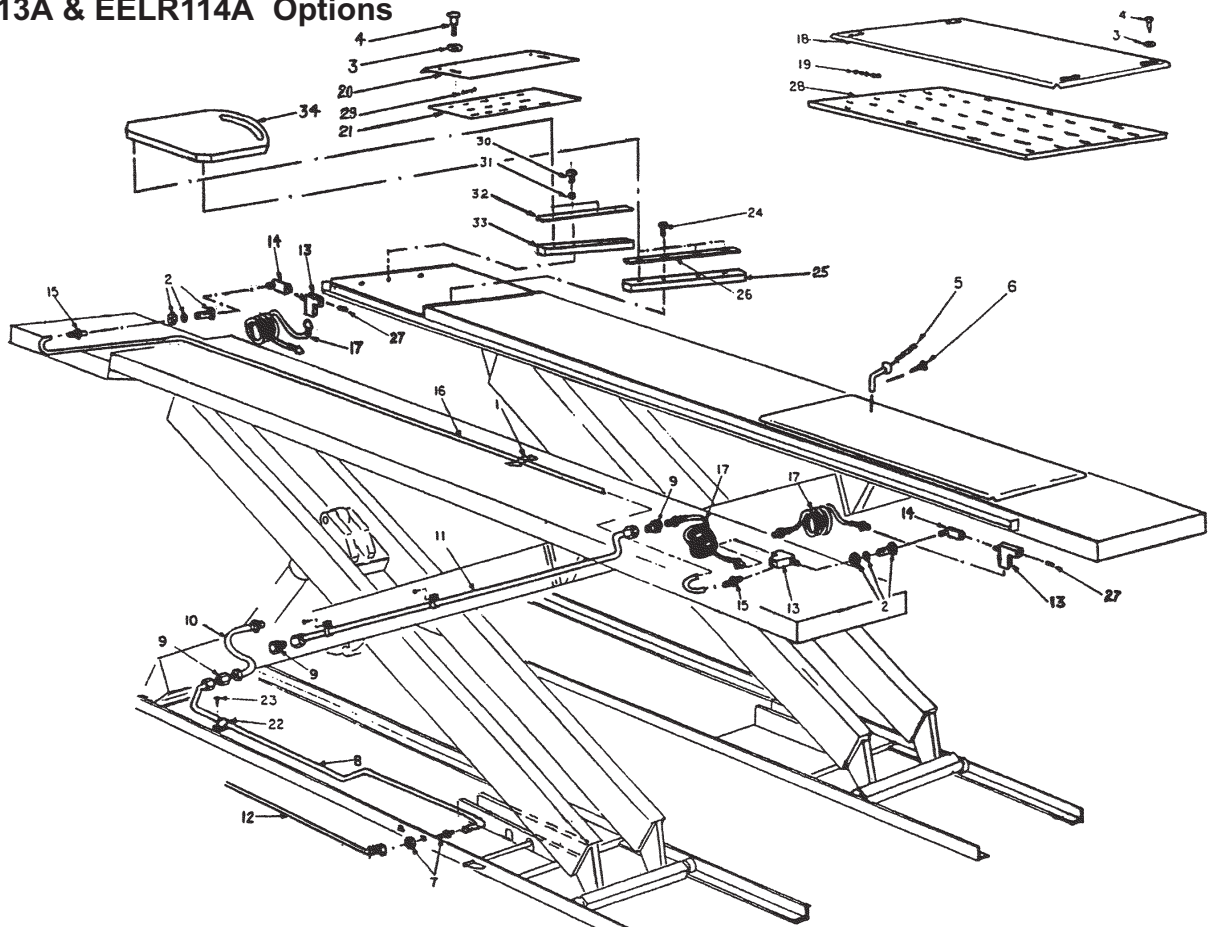
All names, numbers, symbols and descriptions are used for reference purposes only. It is not implied that any part listed is the product of these manufactures, however, some parts may be the actual product of these manufacturers.



lift repair parts for Wheeltronic Ltd. lifts

EELR113A & EELR114A - cont.

EELR113A & EELR114A Options



Item No.	SVI Part Number	Ref. OEM	Qty. Req.	Description
1	BH-7801-73	6-0500	5	Frame Clip
2	BH-7801-06	6-0167	2	Term. Bolt, 3/4"-16m W/1/4 NPT F
3	call	6-0426	12	Flatwasher
4	call	6-0069	12	Shoulder Bolt, 3/8" x 5/8"
5	BH-7794-37	2-0637	8	Locking Pin Assy.
6	call	6-0505	8	Self Tap. Screw, #10 x 1/2"
7	BH-7800-61	6-0013	1	BlkHd. Conn., 3/8" JIC C/W Jam Nut
8	BH-7796-20	3-0017	1	Tube Assembly
9	BH-7800-84	6-0118	3	Adpt., 3/8" JIC M to 1/4" NPT F
10	BH-7791-37	1-0119	1	Hose Assembly
11	BH-7793-60	2-0062	1	Tube Assembly
12	BH-7804-09	6-1345	1	3/8" PVC Braided Hose, 22' Lg. (C/W Fittings)
13	BH-7800-62	6-0014	3	Street Tee, 1/4" NPT
14	BH-7800-63	6-0015	2	Street Elbow
15	BH-7802-32	6-0710	2	Poly Tube Str. Adpt.,

Item No.	SVI Part Number	Ref. OEM	Qty. Req.	Description
16	BH-7791-38	1-0120	1	Hose, 144" W/B
17	BH-7798-06	6-0337	3	12' Coiled Hose
18	BH-7796-49	3-0197	2	Rear Slip Plate
19	BH-7790-35	6-0829	1Set	1/4" Ball Bearings (225)
20	BH-7794-72	2-0841	2	Front Positioning Plate
21	BH-7792-71	1-1070	2	Front Bearing Cage
22	BH-7798-50	6-0107	4	Tube Clamp
23	call	6-0169	4	Self-Tap. Screw, #10 x 3/8"
24	call	6-0199	8	Flat Hd. Screw, 1/4"-20 x 1"
25	BH-7794-73	2-0843	2	Spacer Bar
26	BH-7805-63	2-0844	2	Retaining Bar
27	BH-7801-30	6-0282	2	Plug, 1/4" NPT
28	BH-7790-34	3-0196	2	Rear Bearing Cage
29	BH-7790-35	6-0829	1Set	Ball Bearing, 1/4" (70)
30	call	6-0027	6	Hex Hd. Bt., 1/4"-20 x 1-1/4"
31	call	6-0056	6	Lockwasher, 1/4"
32	BH-7794-35	2-0635	2	Retaining Bar
33	BH-7794-36	2-0636	2	Spacer Bar

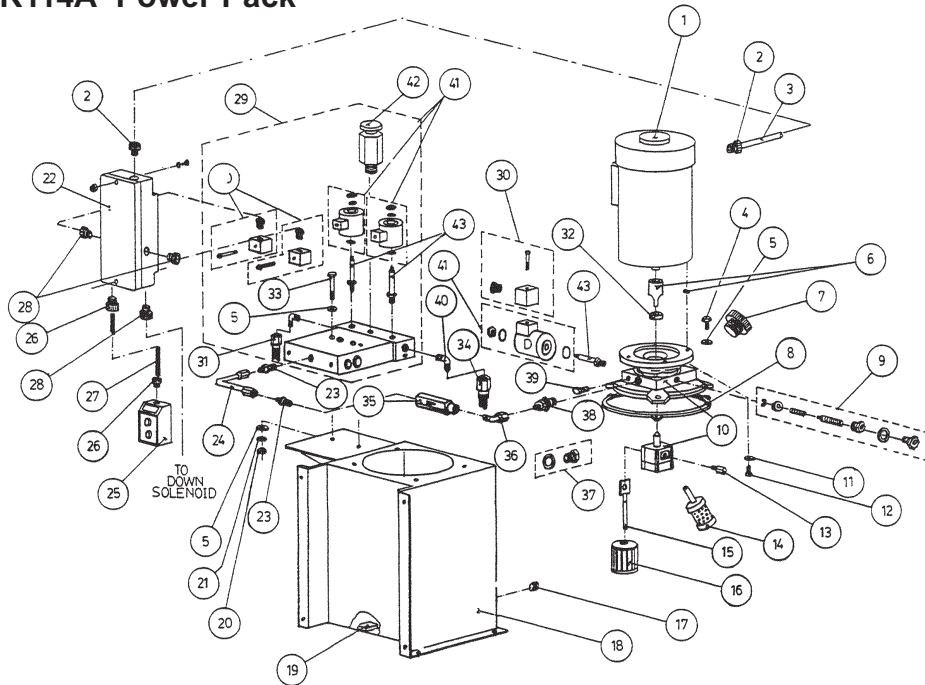
To Order Call: 800-321-8173 or 630-844-5566 / Fax: 800-899-1784 or 630-844-6770

All names, numbers, symbols and descriptions are used for reference purposes only. It is not implied that any part listed is the product of these manufactures, however, some parts may be the actual product of these manufacturers.

## lift repair parts for Wheeltronic Ltd. lifts

### EELR113A & EELR114A - cont.

#### EELR113A & EELR114A Power Pack



Item No.	SVI Part Number	Ref. OEM	Qty. Req.	Description
1	BH-7800-71	6-0087	1	Motor, 220V/1PH
	BH-7801-54	6-0446	1	Motor, 208V/3PH
	BH-7801-55	6-0447	1	Motor, 550V/3PH
2	BH-7800-78	6-0094	2	1/2" Strain Rel. Conn.
3	BH-7791-26	1-0104	1	Motor Cable
4	call	6-0901	4	Hex Hd. Bolt., 1/4"-20 x 1"
5	call	6-0060	8	Flatwasher, 1/4"
6	BH-7801-48	6-0429	1	Shaft Adpt. W/Setscrew
7	BH-7800-81	6-0099	1	Filler Cap
8	BH-7791-51	1-0225	1	Rubber Gasket
9	BH-7801-50	6-0431	1	Pressure Relief Valve
10	BH-7801-52	6-0433	1	Pump Assy. (with Pump, Block, Fringe)
11	call	6-0058	4	Lockwasher, 3/8"
12	call	6-0067	4	Hex Hd. Bit., 3/8"-16 x 1"
13	BH-7801-01	6-0144	1	Pressure Time Delay Valve
14	BH-7800-79	6-0097	1	Oil Filter
15	BH-7801-47	6-0428	1	Flange & Pipe for Strainer
16	BH-7801-53	6-0434	1	Strainer
17	BH-7800-82	6-0102	1	Plug, 3/8" NPT
18	BH-7799-22	4-0146	1	Oil Reservoir
19	BH-7801-44	6-0405	1	Magnet
20	BH-7798-13	6-0032	2	Hex Nut, 1/4"-20
21	call	6-0056	2	Lockwasher, 1/4"

Item No.	SVI Part Number	Ref. OEM	Qty. Req.	Description
22	BH-7790-30	6-0095	1	Cont. Motor Str., 220V/1PH
	BH-7801-56	6-0448	1	Cont. Motor Str., 208V/3PH
	BH-7801-57	6-0449	1	Cont. Motor Str., 550V/3PH
23	BH-7800-59	6-0011	2	Adpt., 3/8" NPT M to 3/8" JIC M
24	BH-7791-24	1-0102	1	Tube Elbow
25	BH-7798-07	6-0096	1	Remote Hand Control
26	BH-7800-77	6-0093	2	Strain Rel. Conn., 3/8"
27	BH-7791-25	1-0103	1	Remote Control Cable
28	BH-7800-76	6-0092	3	Strain Rel. Conn., 1/4"
29	BH-7803-12	6-0995	1	Flow Divider Assy.
30	BH-7800-75	6-0091	3	Solenoid Electrical Plug
31	BH-7795-14	2-1049	1	Hydraulic Hose Assy.
32	BH-7801-49	6-0430	1	Coupling
33	BH-7801-90	6-0648	2	Hex Hd. Bit., 1/4"-20 x 2-3/4"
34	BH-7795-15	2-1050	1	Hydraulic Hose Assy.
35	BH-7800-74	6-0090	1	Flow Control
36	BH-7804-01	6-1294	1	90° Elbow, 3/8" JIC F to 3/8" NPT M
37	BH-7801-80	6-0517	1	Oil Level Sight Plug
38	BH-7800-66	6-0020	1	Adpt., 14mm "O" Ring to 3/8" JIC M
39	BH-7800-73	6-0089	1	Plug
40	BH-7801-27	6-0274	2	90° Elbow, 1/4" NPT M to 3/8" JIC M
41	BH-7790-39	6-0100	3	Solenoid
42	BH-7803-98	6-1261	1	Spool Valve (Man. Equal.)

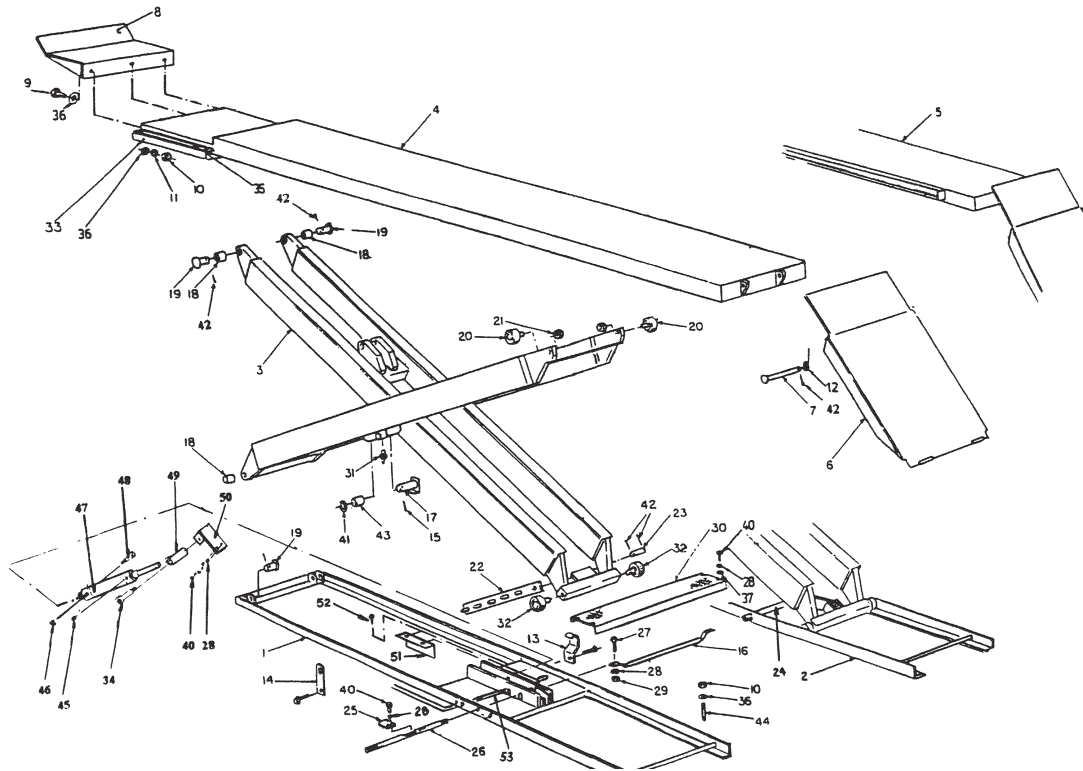
**To Order Call: 800-321-8173 or 630-844-5566 / Fax: 800-899-1784 or 630-844-6770**

All names, numbers, symbols and descriptions are used for reference purposes only. It is not implied that any part listed is the product of these manufactures, however, some parts may be the actual product of these manufacturers.



# lift repair parts for Wheeltronic Ltd. lifts

## Bay Saver II, Models, 48109 & 48209



Item No.	SVI Part Number	Ref. OEM	Qty. Req.	Description	Item No.	SVI Part Number	Ref. OEM	Qty. Req.	Description
1	BH-7799-08	4-0112	1	Base Frame, L.S.	23	BH-7791-81	1-0547	2	Safety Pins
2	BH-7799-09	4-0113	1	Base Frame, R.S.	24	BH-7793-65	2-0069	1	Safety Release Rod
3	BH-7798-87	4-0002	2	Scissor Weldment	25	BH-7791-46	1-0189	2	Safety Release Tab
4	BH-7799-78	4-0379	1	Align. Deck, L.S. (144" W/B)	26	BH-7795-01	2-0985	1	Safety Rel. Rod, (Air Safety)
	BH-7799-87	4-0415	1	Align. Deck, L.S. (172" W/B)	27	call	6-0027	2	Hex Bolt, 1/4"-20 x 1-1/4"
5	BH-7799-79	4-0380	1	Align. Deck, R.S. (144" W/B)	28	call	6-0056	12	Lockwasher, 1/4"
	BH-7799-88	4-0416	1	Align. Deck, R.S. (172" W/B)	29	BH-7798-13	6-0032	2	Hex Nut, 1/4"-20
6	BH-7796-61	3-0285	2	Approach Ramp	30	BH-7796-84	3-0365	1	Center Cover
7	BH-7791-19	1-0095	2	Ramp Pin	31	BH-7800-51	6-0000	4	Grease Nipple
8	BH-7794-76	2-0851	2	Wheel Stop (Front)	32	BH-7790-26	6-0077	4	Cam Follower
9	call	6-0291	6	Hex Blt., 1/2"-13 x 1-1/2"	33	BH-7793-97	2-0362	2	Pull Out Step Assy.
10	call	6-0035	18	Hex Nut, 1/2"-13	34	BH-7791-09	6-0206	1	Shoulder Bolt, 3/8" x 1"
11	call	6-0059	6	Lockwasher, 1/2"	35	BH-7792-14	1-0749	2	Safety Walk Tape
12	call	6-0808	2	51/64" x 1" x 1/8" Thick Flatwasher	36	call	6-0063	24	Plainwasher, 1/2"
13	BH-7793-70	2-0112	2	Shipping Bracket	37	call	6-0060	4	Flatwasher, 1/4"
14	BH-7793-88	2-0266	2	Flat Shipping Bracket	40	call	6-0178	10	Hex Bolt, 1/4"-20 x 3/4"
15	BH-7801-02	6-0146	4	Spring Pin 3/16" x 2"	41	BH-7791-42	1-0140	4	Washer
16	BH-7793-66	2-0071	1	Safety Rel. Conn. Rod	42	BH-7798-76	6-0115	14	Cotter Pin, 1/8" x 2"
17	BH-7805-52	1-0106	4	Fulcrum Pin, 1-1/4"	43	BH-7800-69	6-0084	4	Bushing, 1-1/4"
18	BH-7800-70	6-0085	8	Bushing, 1"	44	BH-7800-99	6-0140	12	Wedge Anchor, 1/2" x 4-1/2"
19	BH-7791-29	1-0107	8	End Hinge Pin, 1"	45	BH-7792-33	1-0804	1	Orifice (0.025")
20	BH-7801-88	6-0637	4	Cam Follower	46	BH-7802-31	6-0709	1	90° Elbow, 1/8" NPT to 1/4" Poly Tube
21	call	6-0040	4	Jam Nut, 5/8"-18					
22	BH-7794-01	2-0405	2	Safety Bar					

**To Order Call: 800-321-8173 or 630-844-5566 / Fax: 800-899-1784 or 630-844-6770**

All names, numbers, symbols and descriptions are used for reference purposes only. It is not implied that any part listed is the product of these manufactures, however, some parts may be the actual product of these manufacturers.





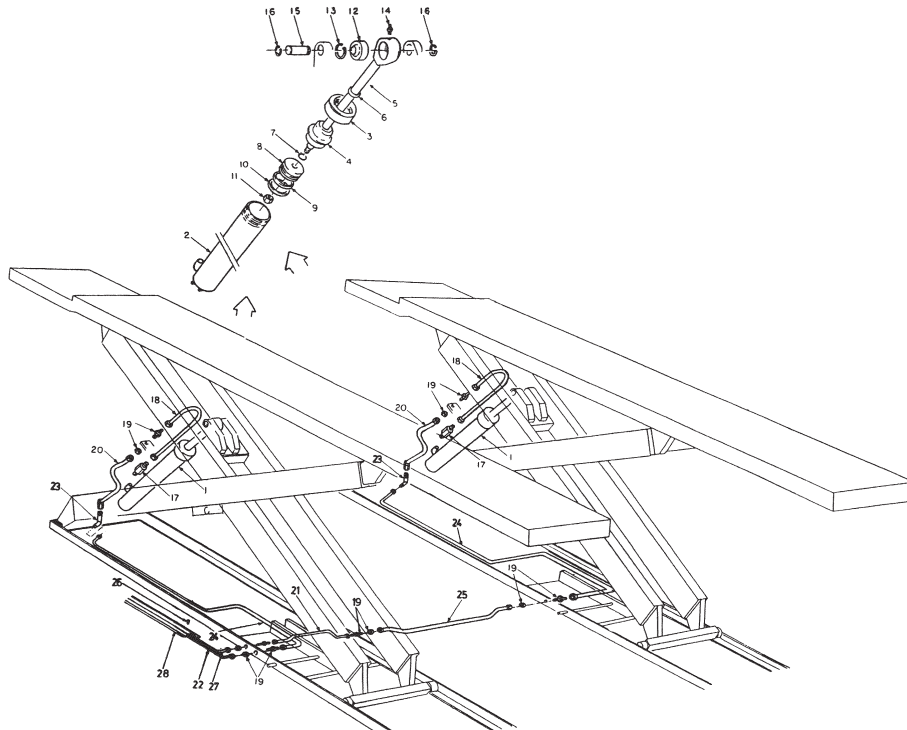
lift repair parts for Wheeltronic Ltd. lifts

Bay Saver II, Models, 48109 & 48209 - cont.

Item No.	SVI Part Number	Ref. OEM	Qty. Req.	Description
47	BH-7803-84	6-1232	1	Air Cylinder
48	BH-7798-16	6-0246	1	Shoulder Bolt, 5/16" x 1"
49	BH-7792-93	1-1245	1	Rod End
50	BH-7792-94	1-1246	1	Actuator Arm

Item No.	SVI Part Number	Ref. OEM	Qty. Req.	Description
51	BH-7795-16	2-1055	1	Safety Cover
52	call	6-0505	2	Self Tap. Screw, #10-24 x 1/2"
53	BH-7803-99	6-1270	1	Poly Tube, 1/4" (30')

Bay Saver II, Models, 48109 & 48209 Hydraulics



Item No.	SVI Part Number	Ref. OEM	Qty. Req.	Description
1	BH-7796-08	3-0000	2	Hydraulic Cylinder
1-2	BH-7805-51	2-0000	1	Tube Weldment
1-3	BH-7790-90	1-0011	1	Nut Gland
1-4	BH-7790-89	1-0008	1	Gland
1-5	BH-7793-44	2-0001	1	Rod Weldment
1-6*	BH-7800-52	6-0001	1	Wiper Ring
1-7*	BH-7800-53	6-0002	1	"O" Ring
1-8	BH-7790-88	1-0007	1	Piston
1-9*	BH-7800-54	6-0003	1	Seal Ring
1-10*	BH-7800-55	6-0004	1	Wear Ring
1-11	call	6-0005	1	Nut, Nylon 7/8"-14
1-12	BH-7800-56	6-0007	1	Bearing
1-13	BH-7800-67	6-0070	1	Retaining Ring
1-14	BH-7800-51	6-0000	1	Grease Nipple
15	BH-7790-93	1-0029	2	Pin

Item No.	SVI Part Number	Ref. OEM	Qty. Req.	Description
16	BH-7798-49	6-0340	4	Retaining Ring
17	BH-7790-20	6-0025	2	Velocity Fuse
18	BH-7791-17	1-0093	2	Tube Assy., Cylinder
19	BH-7800-61	6-0013	6	BlkHd., Conn. 3/8" JIC C/W Jam Nut
20	BH-7790-33	2-0624	2	Hose Assembly
21	BH-7794-74	2-0848	1	Tube Assembly
22	BH-7795-15	2-1050	1	Hyd. Hose Assy. (21')
23	BH-7798-41	6-0012	2	Blkhd., 90° Elbow, 3/8" JIC M C/W Jam Nut
24	BH-7794-75	2-0849	2	Tube Assembly
25	BH-7793-62	2-0065	1	Tube Assembly
26	BH-7801-00	6-0141	20	Concrete Nail, 1/4" x 1"
27	BH-7795-14	2-1049	1	Hydraulic Hose Assy. (21')
28	BH-7795-27	2-1104	5	Line Cover

To Order Call: 800-321-8173 or 630-844-5566 / Fax: 800-899-1784 or 630-844-6770

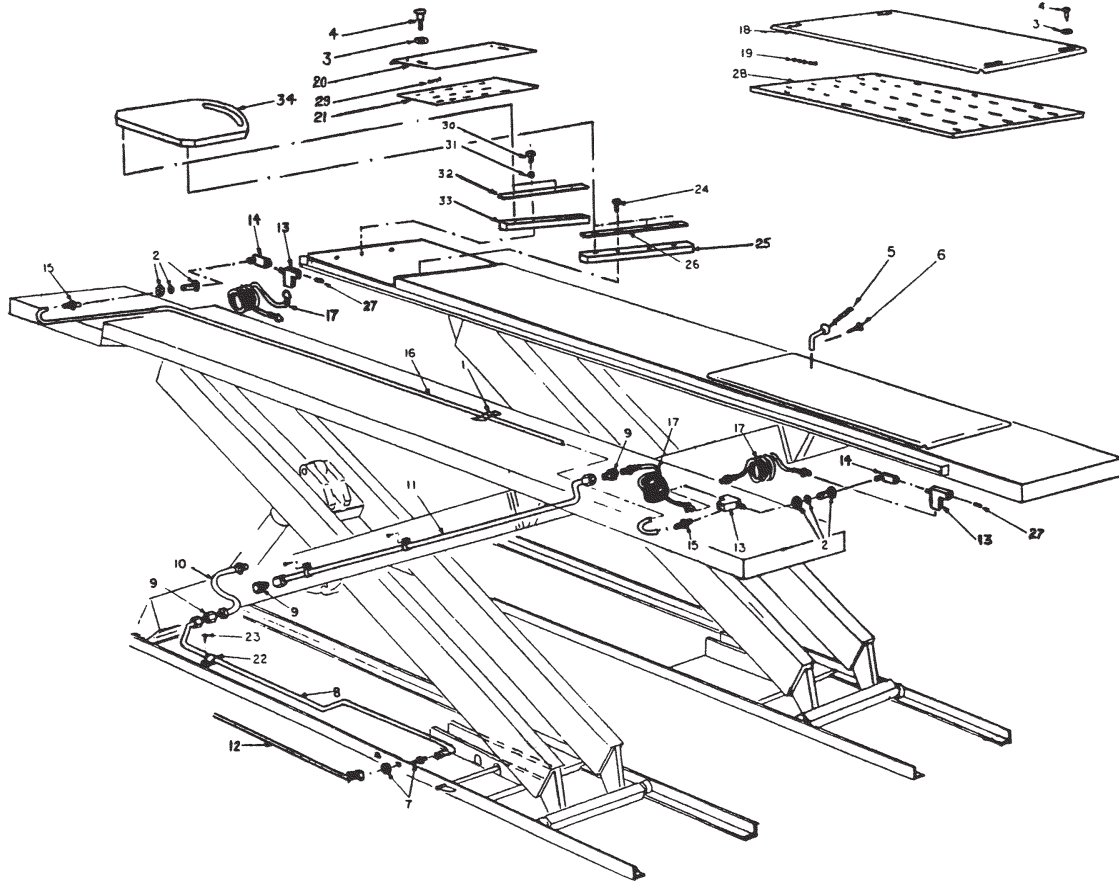
All names, numbers, symbols and descriptions are used for reference purposes only. It is not implied that any part listed is the product of these manufactures, however, some parts may be the actual product of these manufacturers.



lift repair parts for Wheeltronic Ltd. lifts

Bay Saver II, Models, 48109 & 48209 - cont.

Bay Saver II, Models, 48109 & 48209 Options



Item No.	SVI Part Number	Ref. OEM	Qty. Req.	Description
1	BH-7801-73	6-0500	5	Frame Clip
2	BH-7801-06	6-0167	2	Term. Bolt, 3/4"-16m W/1/4 NPT F
3	call	6-0426	12	Flatwasher
4	call	6-0069	12	Shoulder Bolt, 3/8" x 5/8"
5	BH-7794-37	2-0637	8	Locking Pin Assy.
6	call	6-0505	8	Self Tap. Screw, #10 x 1/2"
7	BH-7800-61	6-0013	1	BlkHd. Conn., 3/8" JIC C/W Jam Nut
8	BH-7796-20	3-0017	1	Tube Assembly
9	BH-7800-84	6-0118	3	Adpt, 3/8" JIC M to 1/4" NPT F
10	BH-7791-37	1-0119	1	Hose Assembly
11	BH-7793-60	2-0062	1	Tube Assembly
12	BH-7804-09	6-1345	1	3/8" PVC Braided Hose, 22' Lg. (C/W Fittings)
13	BH-7800-62	6-0014	3	Street Tee, 1/4" NPT
14	BH-7800-63	6-0015	2	Street Elbow
15	BH-7802-32	6-0710	2	Polytube Str. Adpt,

Item No.	SVI Part Number	Ref. OEM	Qty. Req.	Description
16	BH-7791-38	1-0120	1	Hose, 144" W/B
17	BH-7798-06	6-0337	3	12' Coiled Hose
18	BH-7796-49	3-0197	2	Rear Slip Plate
19	BH-7790-35	6-0829	1Set	1/4" Ball Bearings (225)
20	BH-7794-72	2-0841	2	Front Positioning Plate
21	BH-7792-71	1-1070	2	Front Bearing Cage
22	BH-7798-50	6-0107	4	Tube Clamp
23	call	6-0169	4	Self-Tap. Screw, #10 x 3/8"
24	call	6-0199	8	Flat Hd. Screw, 1/4"-20 x 1"
25	BH-7794-73	2-0843	2	Spacer Bar
26	BH-7805-63	2-0844	2	Retaining Bar
27	BH-7801-31	6-0282	2	Plug, 1/4" NPT
28	BH-7790-34	3-0196	2	Rear Bearing Cage
29	BH-7790-35	6-0829	1Set	Ball Bearing, 1/4" (70)
30	call	6-0027	6	Hex Hd. Blt., 1/4"-20 x 1-1/4"
31	call	6-0056	6	Lockwasher, 1/4"
32	BH-7794-35	2-0635	2	Retaining Bar

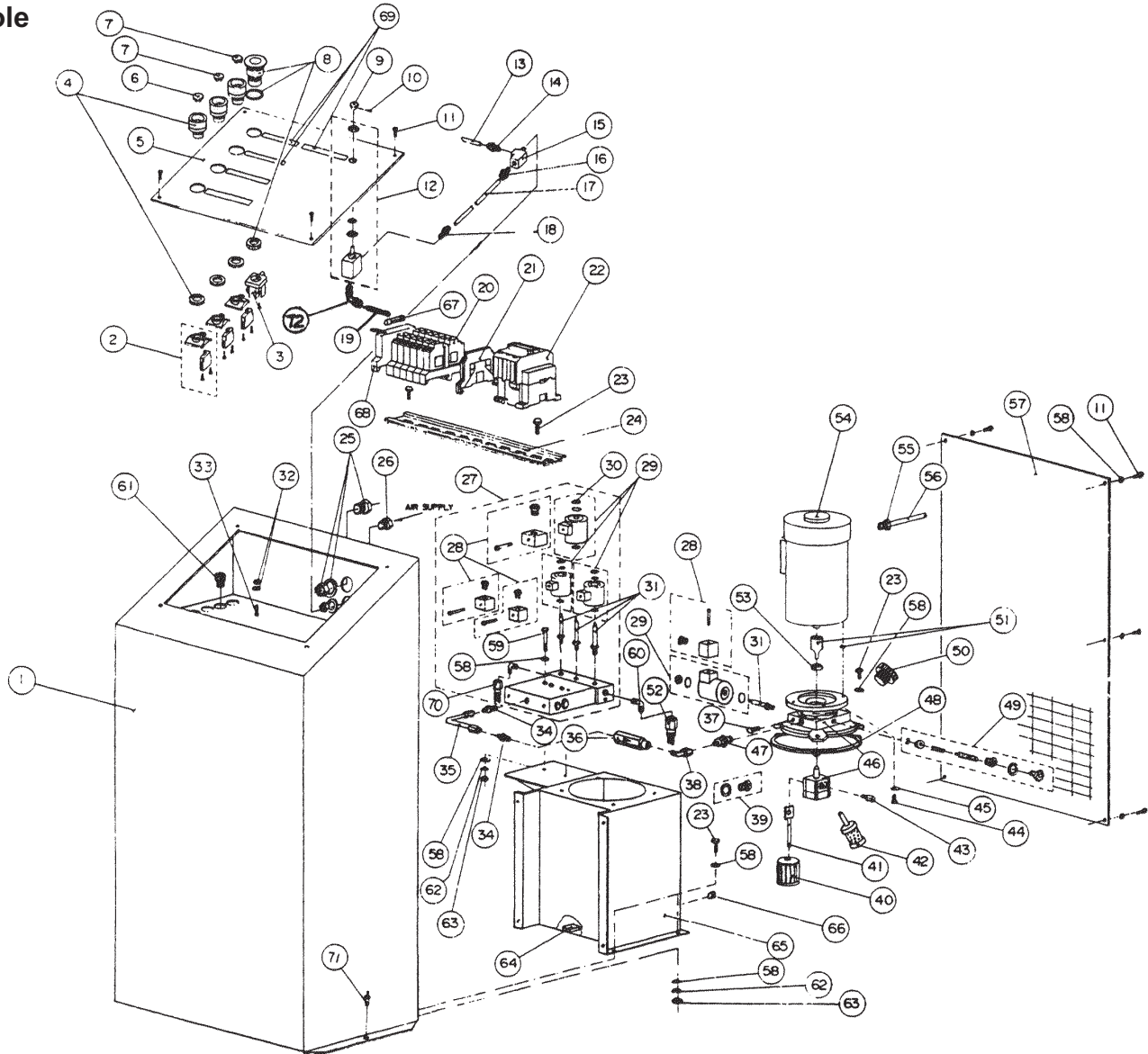
To Order Call: 800-321-8173 or 630-844-5566 / Fax: 800-899-1784 or 630-844-6770

All names, numbers, symbols and descriptions are used for reference purposes only. It is not implied that any part listed is the product of these manufactures, however, some parts may be the actual product of these manufacturers.

## lift repair parts for Wheeltronic Ltd. lifts

### Bay Saver II, Models, 48109 & 48209 - cont.

#### Bay Saver II, Models, 48109 & 48209 Console



Item No.	SVI Part Number	Ref. OEM	Qty. Req.	Description
1	BH-7799-71	4-0356	1	Console
2	BH-7803-89	6-1248	3	Pushbutton Contacts
3	BH-7803-91	6-1250	1	Emerg. Pushbutton Contacts
4	BH-7803-88	6-1247	3	Pushbutton
5	BH-7794-98	2-0962	1	Top Cover
6	BH-7803-93	6-1252	1	Pushbutton Plate (Synch.)
7	BH-7803-92	6-1251	2	Pushbutton Plate, (Up/Down Arrow)

Item No.	SVI Part Number	Ref. OEM	Qty. Req.	Description
8	BH-7803-90	6-1249	1	Emergency Stop Pushbutton W/Reset
9	BH-7803-51	6-1052	1	Button
10	call	6-1051	1	Socket Hd. Set Screw
11	BH-7791-10	6-0441	10	Button Hd. Socket Cap Screw, 1/4"-28 x 3/8"
12	BH-7803-52	6-1055	1	Air Valve Assy.
13	BH-7804-09	6-1345	1	3/8" PVC Braided Hose, 22'Lg. (C/W Fittings)

**To Order Call: 800-321-8173 or 630-844-5566 / Fax: 800-899-1784 or 630-844-6770**

All names, numbers, symbols and descriptions are used for reference purposes only. It is not implied that any part listed is the product of these manufactures, however, some parts may be the actual product of these manufacturers.



## lift repair parts for Wheeltronic Ltd. lifts

### Bay Saver II, Models, 48109 & 48209 - cont.

#### Bay Saver II, Models, 48109 & 48209 Console cont.

Item No.	SVI Part Number	Ref. OEM	Qty. Req.	Description	Item No.	SVI Part Number	Ref. OEM	Qty. Req.	Description
14	BH-7800-85	6-0121	1	Adpt., 3/8" Pushlock to 1/4" NPT M	42	BH-7800-79	6-0097	1	Oil Filter
15	BH-7800-62	6-0014	1	Tee, 1/4" NPT M to 1/4" NPT F to 1/4" NPT F	43	BH-7801-01	6-0144	1	Pressure Time Delay Valve
16	BH-7804-10	6-1347	1	Adpt., 1/4" Poly Tube to 1/4" NPT M	44	call	6-0067	4	Hex Hd. Bolt, 3/8"-16 x 1"
17	BH-7804-08	6-1343	1	1/4" Poly Tube, 12"	45	call	6-0058	4	Lockwasher, 3/8"
18	BH-7802-30	6-0708	1	Adpt., 1/4" Poly Tube to 1/8" NPT M	46	BH-7801-52	6-0433	1	Pump Assy. (C/W Pump, Block Finge)
19	BH-7803-99	6-1270	1	1/4" Poly Tube, 30' (C/W Fittings)	47	BH-7800-66	6-0020	1	Adpt., 14mm "O" Ring to 3/8" JIC M
20	BH-7803-85	6-1241	1	Terminal Block	48	BH-7791-51	1-0225	1	Rubber Gasket
21	BH-7803-95	6-1255	1	Ground Block	49	BH-7801-50	6-0431	1	Pressure Relief Valve
22	BH-7803-96	6-1258	1	Contractor	50	BH-7800-81	6-0099	1	Filler Cap
23	call	6-0901	10	Hex Hd. Blt., 1/4"-20 x 1"	51	BH-7801-48	6-0429	1	Shaft Adpt. W/Setscrew
24	BH-7803-94	6-1253	1	Terminal Bar Rail	52	BH-7795-15	2-1050	1	Hydraulic Hose Assy.
25	BH-7800-78	6-0094	1	Large Strain Relief	53	BH-7801-49	6-0430	1	Coupling
26	BH-7802-33	6-0713	1	Bulkhead, 1/4" NPT	54	BH-7800-71	6-0087	1	Motor, 220V/1PH
27	BH-7803-97	6-1259	1	Flow Divider W/Solenoids	55	BH-7800-77	6-0093	1	Medium Strain Relief
28	BH-7800-75	6-0091	4	Solenoid Electrical Plug	56	BH-7791-26	1-0104	1	Motor Cable
29	BH-7804-12	6-1365	4	Solenoid	57	BH-7797-10	3-0497	1	Access Cover
30	BH-7801-51	6-0432	4	Cap Nut for Solenoid	58	call	6-0060	22	Flatwasher, 1/4"
31	BH-7790-29	6-0101	4	Solenoid Valve Spool	59	BH-7801-90	6-0648	2	Hex Hd. Bolt, 1/4"-20 x 2-3/4"
32	call	6-1346	2	Nut, #10-24	60	BH-7801-27	6-0274	2	90° Elbow, 1/4" NPT M to 3/8" JIC M
33	call	6-0815	1	Bolt, #10-24 x 1/2"	61	BH-7800-77	6-0093	5	3/8" Strain Relief
34	BH-7800-59	6-0011	2	Adpt., 3/8" NPT M to 3/8" JIC M	62	call	6-0056	8	1/4" Lockwasher
35	BH-7791-24	1-0102	1	Tube Elbow	63	BH-7798-13	6-0032	8	Hex Nut, 1/4"-20
36	BH-7800-74	6-0090	1	Flow Control	64	BH-7801-44	6-0405	1	Magnet
37	BH-7800-73	6-0089	1	Plug	65	BH-7799-22	4-0146	1	Oil Reservoir
38	BH-7804-01	6-1294	1	90° Elbow, 3/8" JIC F to 3/8" NPT M	66	BH-7800-82	6-0102	1	Plug, 3/8" NPT
39	BH-7801-80	6-0517	1	Oil Level Sight Plug	67	BH-7803-87	6-1243	1	Fuse, 250V/1PH
40	BH-7801-53	6-0434	1	Strainer	68	BH-7803-86	6-1242	1	Terminal Fuse Holder
41	BH-7801-47	6-0428	1	Flange & Pipe for Strainer	69	BH-7805-128	6-1344	1	Decal Set
					70	BH-7795-14	2-1049	1	Hydraulic Hose Assembly
					71	BH-7801-00	6-0141	2	Concrete Nail, 1/4" x 1"
					72	BH-7802-31	6-0709	1	1/4" Poly Tube to 1/8" NPT 90° Elbow Adpt.

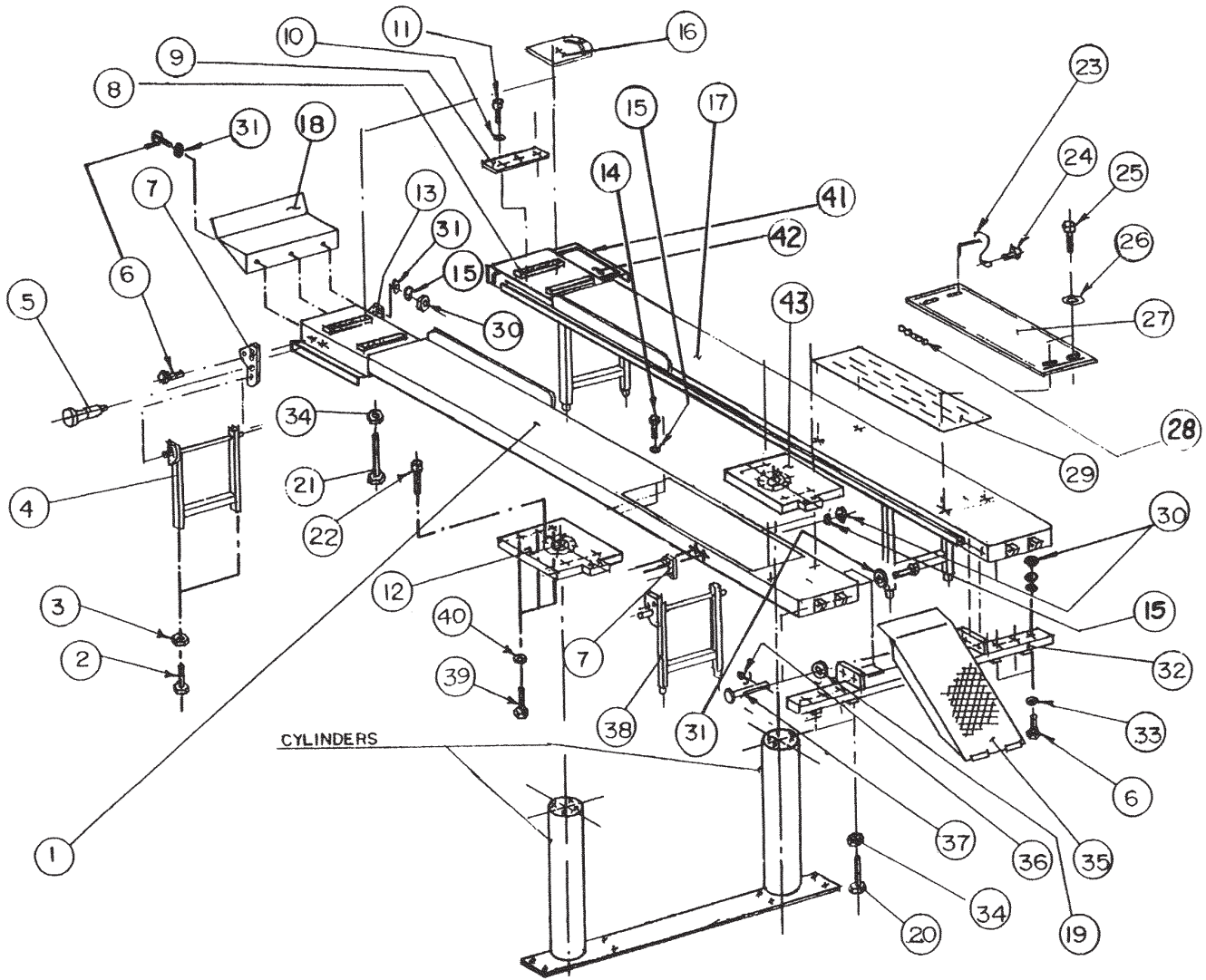
**To Order Call: 800-321-8173 or 630-844-5566 / Fax: 800-899-1784 or 630-844-6770**

All names, numbers, symbols and descriptions are used for reference purposes only. It is not implied that any part listed is the product of these manufactures, however, some parts may be the actual product of these manufacturers.



## lift repair parts for Wheeltronic Ltd. lifts

### Alignment Runways, Model 40306 R



Item No.	SVI Part Number	Ref. OEM	Qty. Req.	Description
1	BH-7799-66	4-0330	1	Align. Deck, L.S. (155" W/B)
2	call	6-0049	8	Tap Bolt, 5/8"-11 x 4"
3	call	6-0039	8	Jam Nut, 5/8"-11
4	BH-7796-58	3-0248	2	Leveling Leg, F.L., R.R.
5	BH-7790-24	2-0086	4	Plunger Assembly
6	call	6-0291	32	Hex Blt., 1/2"-13 x 1-1/2"
7	BH-7790-25	2-0999	4	Levelling Leg Bracket, Outside
8	BH-7794-36	2-0636	4	Spacer Bar
9	BH-7794-35	2-0635	4	Retaining Bar
10	call	6-0056	16	Lockwasher, 1/4"

Item No.	SVI Part Number	Ref. OEM	Qty. Req.	Description
11	call	6-0178	16	Hex Blt., 1/4"-20 x 3/4"
12	BH-7795-06	2-1001	1	Adpt. Tie Bar, L.S.
13	BH-7795-05	2-1000	2	Leveling Leg Bracket, I.S.
14	call	6-0767	4	Hex Blt., 1/2"-13 x 2-1/2"
15	call	6-0059	36	Lockwasher, 1/2"
16	BH-7797-92	4-0220	2	Turnplate
17	BH-7799-67	4-0331	1	Align. Deck, R.S.(155" W/B)
18	BH-7794-76	2-0851	2	Front Wheel Stop
19	call	6-0808	2	Flatwasher, 51/64" x 1" x 1/16"
20	call	6-1101	4	Hex Blt., 3/4"-10 x 3"

**To Order Call: 800-321-8173 or 630-844-5566 / Fax: 800-899-1784 or 630-844-6770**

All names, numbers, symbols and descriptions are used for reference purposes only. It is not implied that any part listed is the product of these manufactures, however, some parts may be the actual product of these manufacturers.

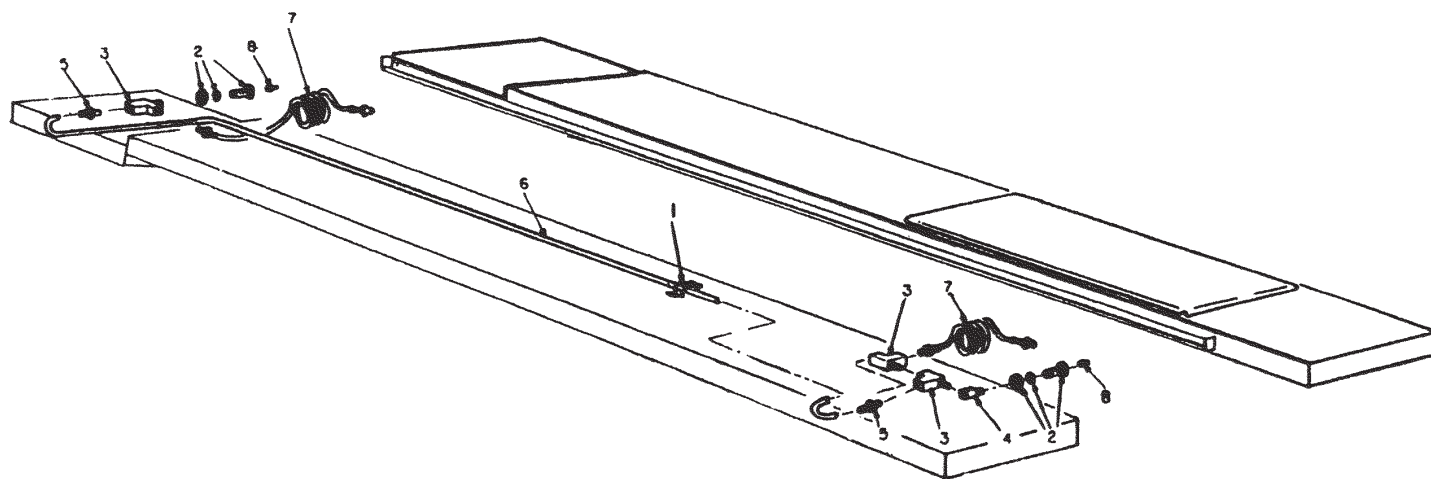


## lift repair parts for Wheeltronic Ltd. lifts

### Alignment Runways, Model 40306 R - cont.

Item No.	SVI Part Number	Ref. OEM	Qty. Req.	Description	Item No.	SVI Part Number	Ref. OEM	Qty. Req.	Description
21	call	6-1128	8	Hex Blt., 3/4"-10 x 6"	33	call	6-0439	10	Flatwasher, 1/2"
22	call	6-1271	12	Sck. Hd Blt., 7/8"-9 x 1-1/2"	34	call	6-0037	12	Hex Nut, 3/4"-10
23	BH-7794-37	2-0637	4	Locking Pin Assy.	35	BH-7797-13	3-0506	2	Approach Ramp
24	call	6-0505	4	Self Tap. Screw, #10 x 1/2"	36	BH-7798-76	6-0115	2	Cotter Pin, 1/8" x 2"
25	call	6-0069	8	Shoulder Bolt, 3/8" x 5/8"	37	BH-7791-19	1-0095	2	Ramp Pin
26	call	6-0426	8	Flatwasher, 13/32" x 2"	38	BH-7796-60	3-0272	2	Level. Leg, F.R., R.L.
27	BH-7796-49	3-0197	2	Slide Plate	39	call	6-0891	12	Hex Blt., 3/4"-10 x 2-1/2"
28	BH-7790-35	6-0829	1set	1/4" Ball Bearing	40	call	6-0181	12	Lockwasher, 3/4"
29	BH-7790-34	3-0196	2	Bearing Cage	41	BH-7793-97	2-0362	2	Pull Out Step Assy.
30	call	6-0035	32	Hex Nut, 1/2"-13	42	BH-7792-14	1-0749	2	Safety Walk Tape
31	call	6-0063	22	Flatwasher, 1/2"	43	BH-7805-64	2-1002	1	Adpt. Tie Bar, R.S.
32	BH-7797-04	3-0457	1	Rear Tie Bar					

### Alignment Runways, Model 40306 R - Air Kit Assembly



Item No.	SVI Part Number	Ref. OEM	Qty. Req.	Description	Item No.	SVI Part Number	Ref. OEM	Qty. Req.	Description
1	BH-7801-73	6-0500	5	Frame Clip	5	BH-7802-32	6-0710	2	Polytube Straight Adpt., 3/8" x 1/4" NPT
2	BH-7801-06	6-0167	2	Term. Blt., 3/4"-16M W/ 1/4" NPT F	6	BH-7805-65	6-1352	1	Hose, 155" W/B
3	BH-7800-62	6-0014	3	Street Tee, 1/4" NPT	7	BH-7798-06	6-0337	2	12' Coiled Hose
4	BH-7800-63	6-0015	1	Street Elbow, 1/4" NPT	8	BH-7801-31	6-0282	2	Plug, 1/4" NPT

**To Order Call: 800-321-8173 or 630-844-5566 / Fax: 800-899-1784 or 630-844-6770**

All names, numbers, symbols and descriptions are used for reference purposes only. It is not implied that any part listed is the product of these manufactures, however, some parts may be the actual product of these manufacturers.

