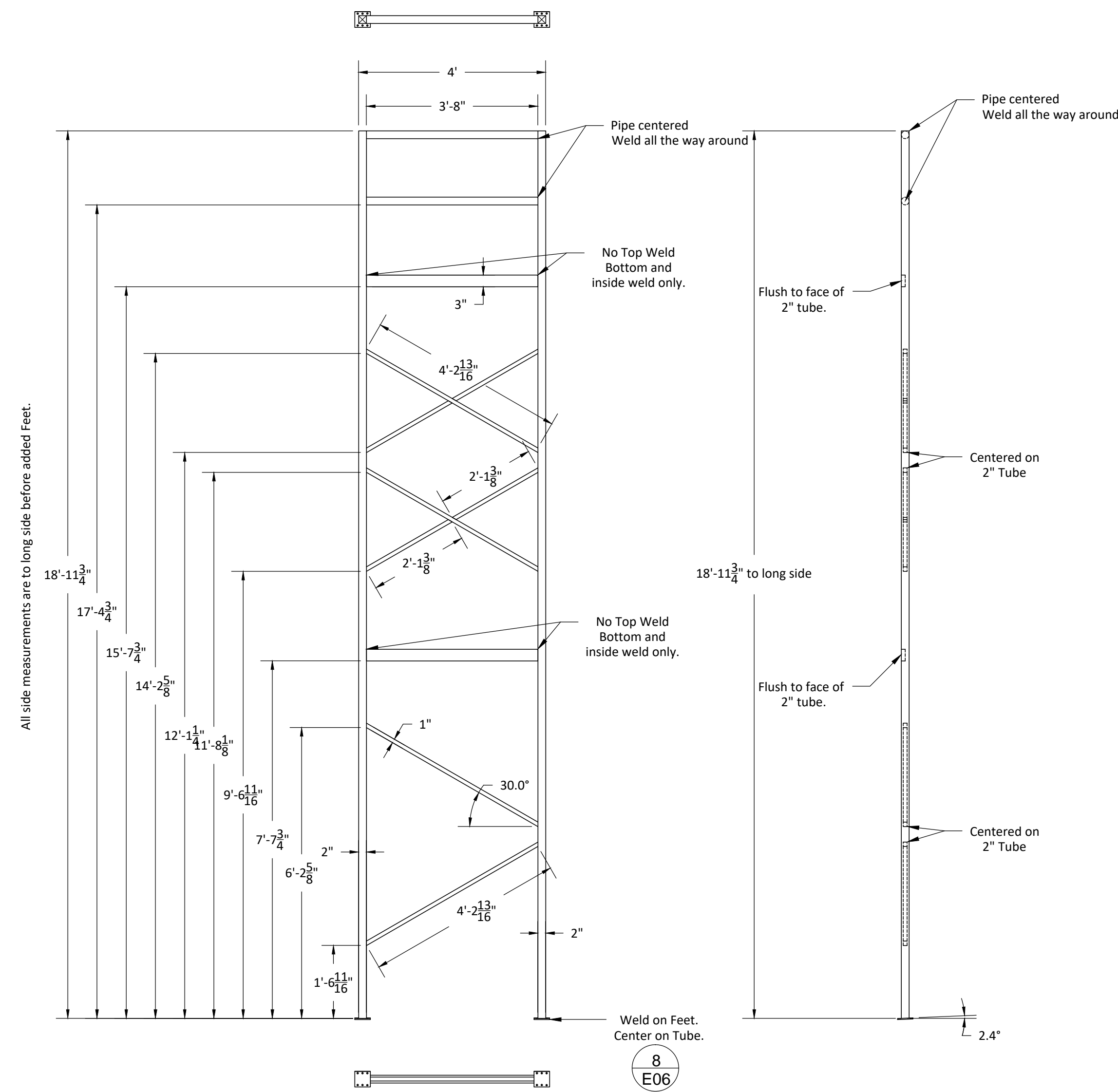
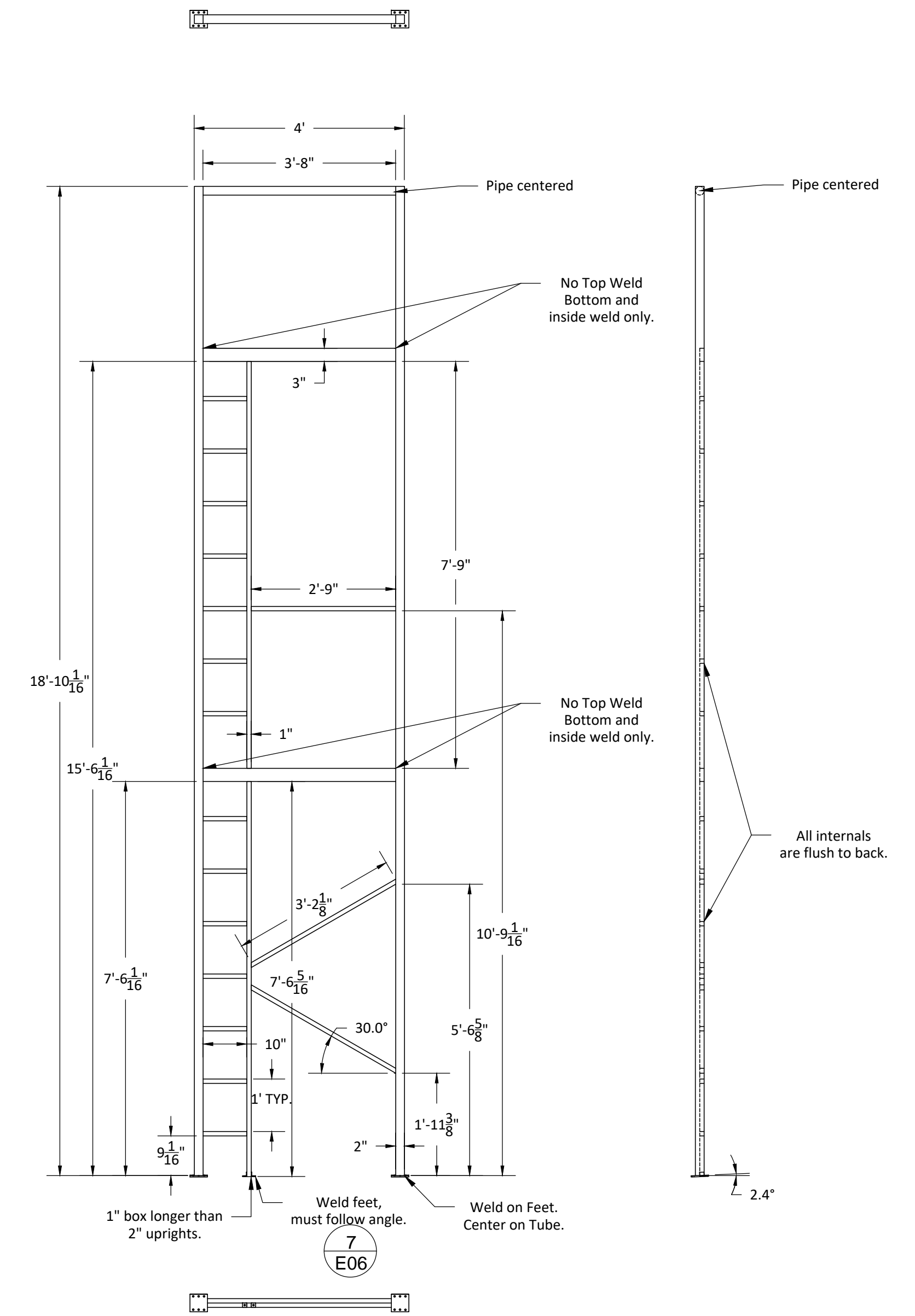


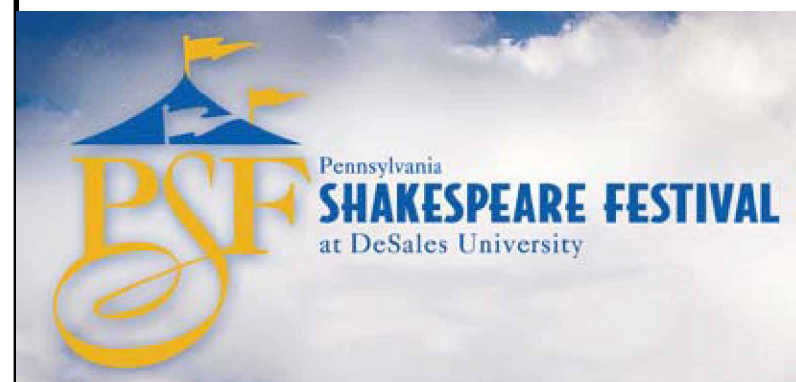
2
E06 Stage Left Spot Tower Iso
Build 1 R&R 1 for Stage Right.



2
E06 Downstage Frame- Scale: 1/2" = 1'-0"
Build 1 R&R 1 from 2x2, 1x1, 3x1 box tube and 1 1/2" Schedule 40 pipe.
Weld fillets and perimeter faces unless otherwise noted.



2
E06 Upstage Frame- Scale: 1/2" = 1'-0"
Build 1 R&R 1 from 2x2, 1x1, 3x1 box tube and 1 1/2" Schedule 40 pipe.
Weld fillets and perimeter faces unless otherwise noted.

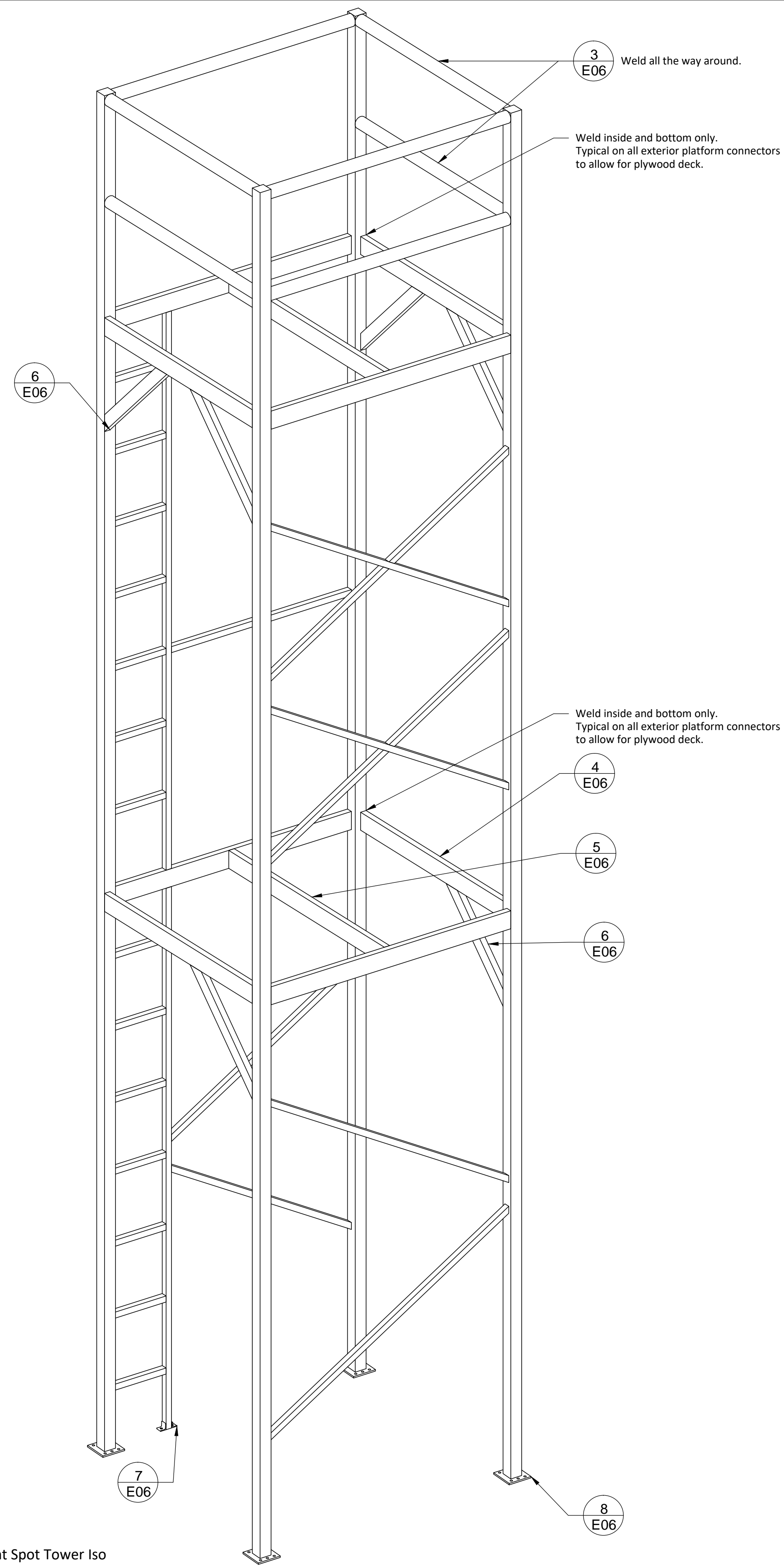


Evita

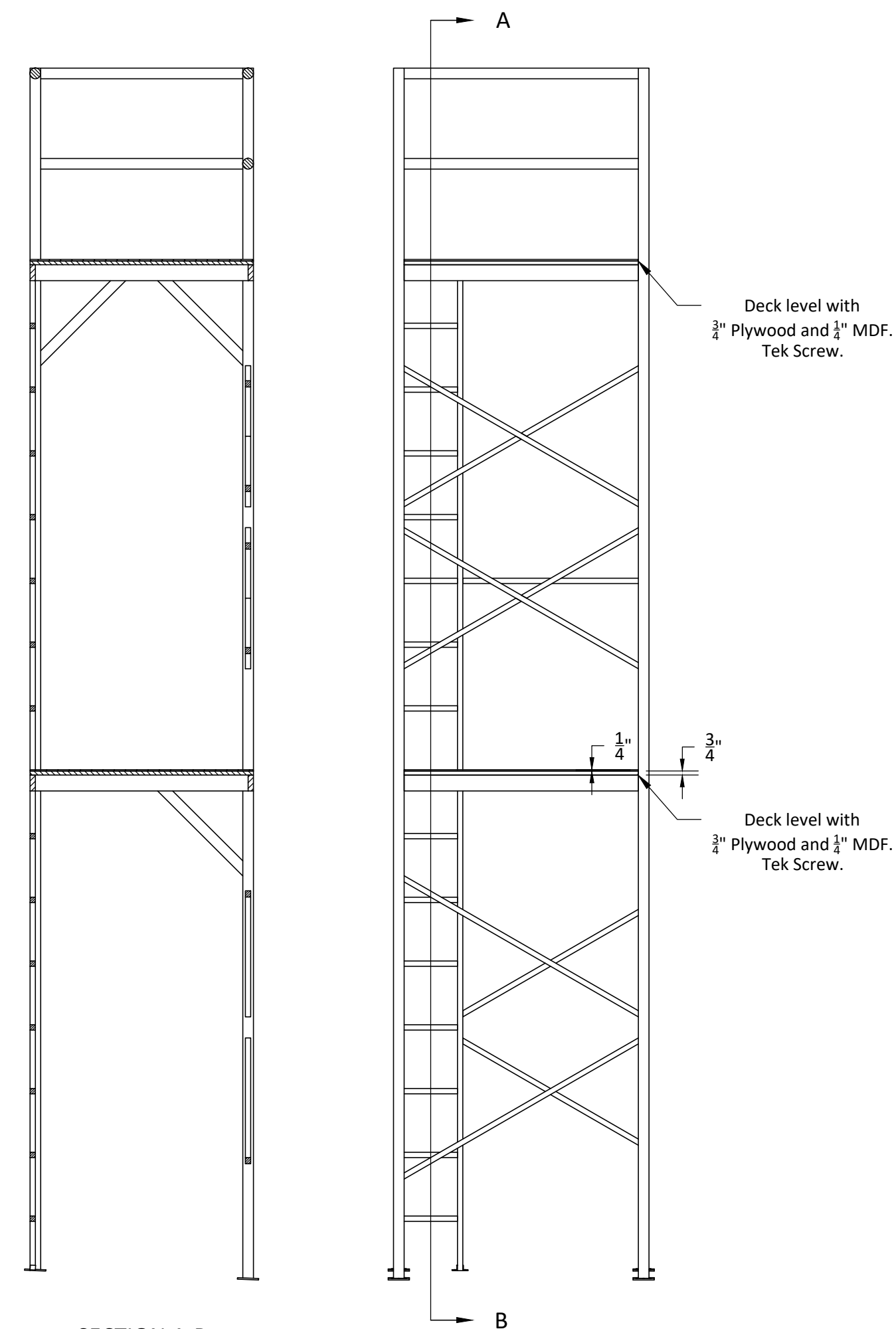
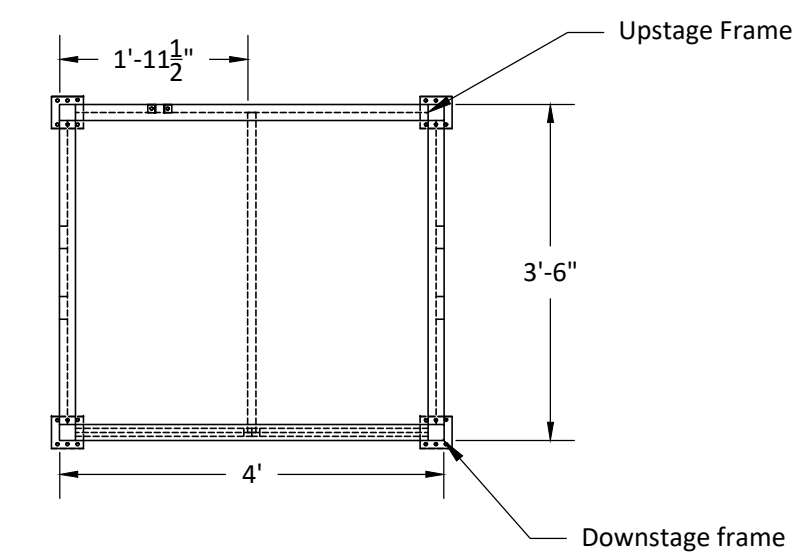
Spot Tower Frames

Director: D.Razze	Designer: S.TenEyck
Tech Director: Aaron Mayer	Drafted By: A.Mayer
DWG Date: 5/14/2017	REV Date: Scale: As Noted

DWG #:
E05

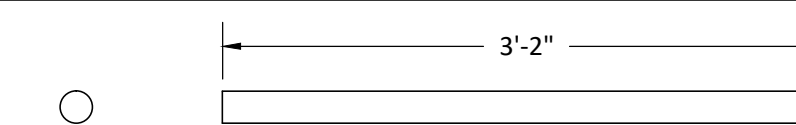


1 E06 Stage Right Spot Tower Iso
Build 1 as drawn, R&R 1 from components.

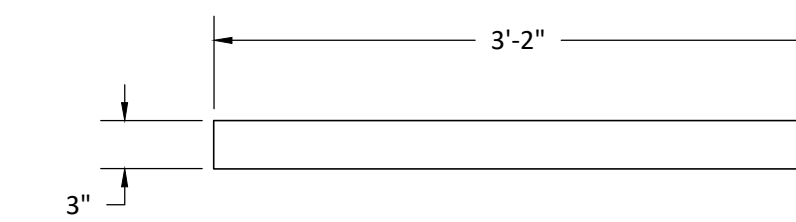


SECTION A-B
SCALE 1/2" = 1'-0"

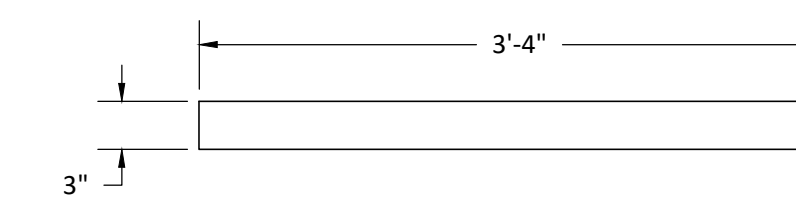
2 E06 Spot Tower Ortho- Scale: 1/2" = 1'-0"
Build 1 R&R 1 from components.
Weld fillets unless otherwise noted.



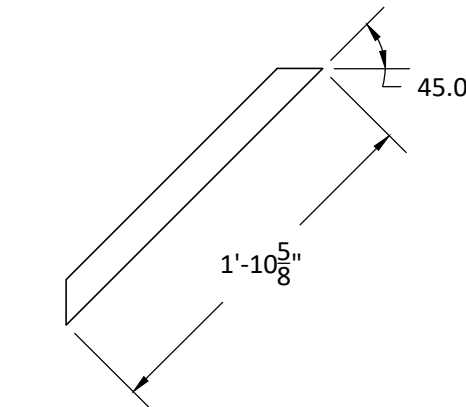
3 E06 Top connectors- Scale: 1" = 1'-0"
Build 6 from 1 1/2" Schedule 40 pipe.



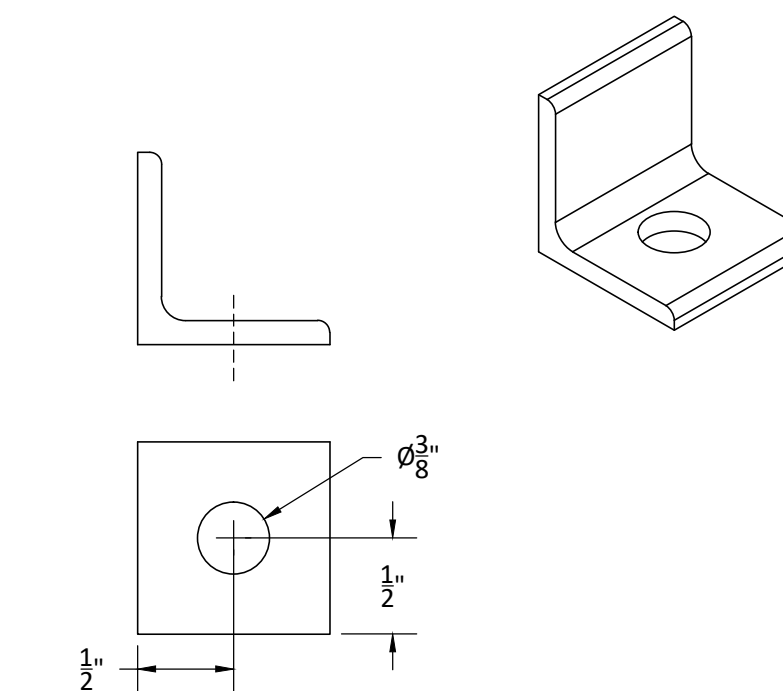
4 E06 Exterior Platform connectors- Scale: 1" = 1'-0"
Build 8 from 3x1 box tube.



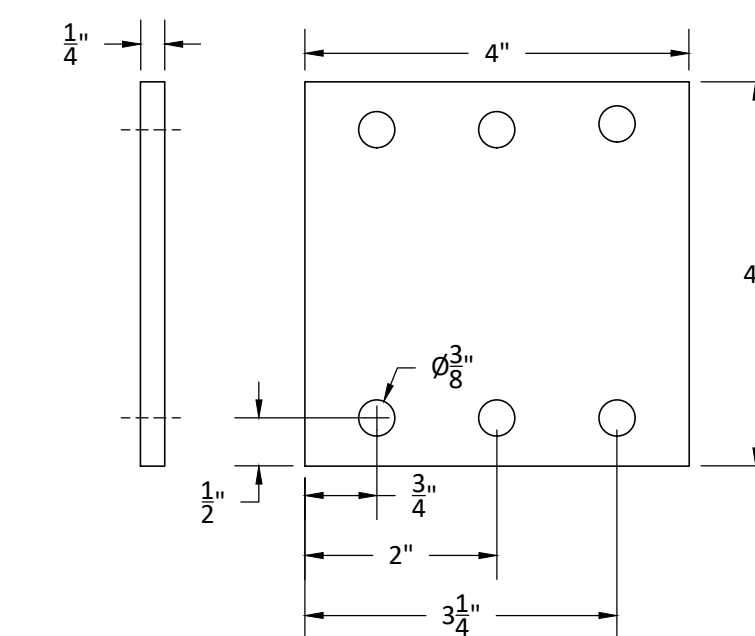
5 E06 Interior Platform connectors- Scale: 1" = 1'-0"
Build 4 from 3x1 box tube.



6 E06 Crossbracing connectors- Scale: 1" = 1'-0"
Build 12 from scrap 2x1 box tube.

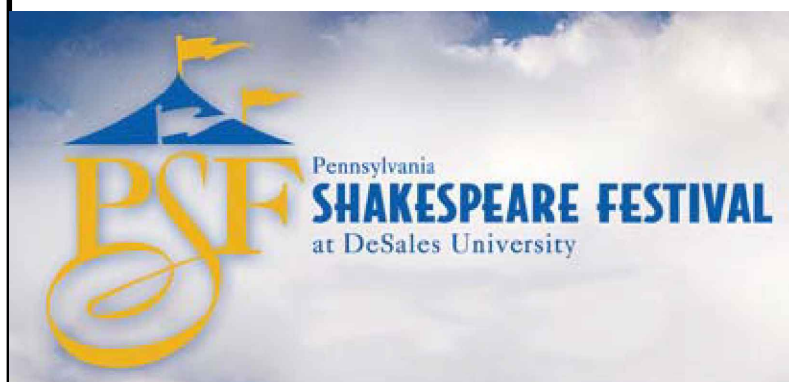


7 E06 Ladder Feet- Scale: Full Scale
Build 4 from 1x1x3/8" Angle.



8 E06 2" Upright Feet- Scale: 6" = 1'-0"
Build 8 from 1/4" x 4" plate.

Quantities are for BOTH towers.



Evita

Spot Tower Assembly

Director: D.Razze

Designer: S.TenEyck

Tech Director: Aaron Mayer

Drafted By: A.Mayer

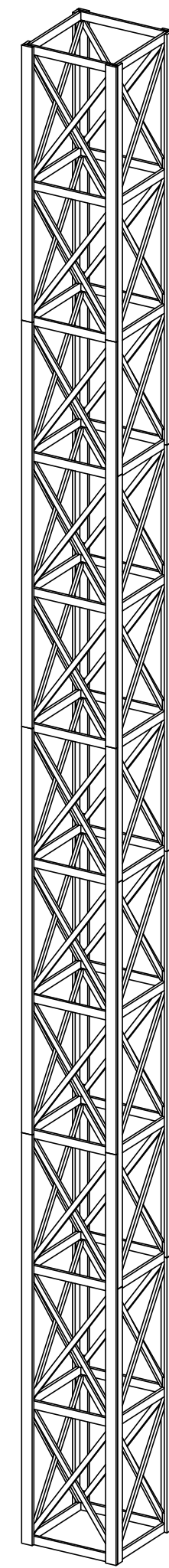
DWG Date: 5/14/2017

REV Date:

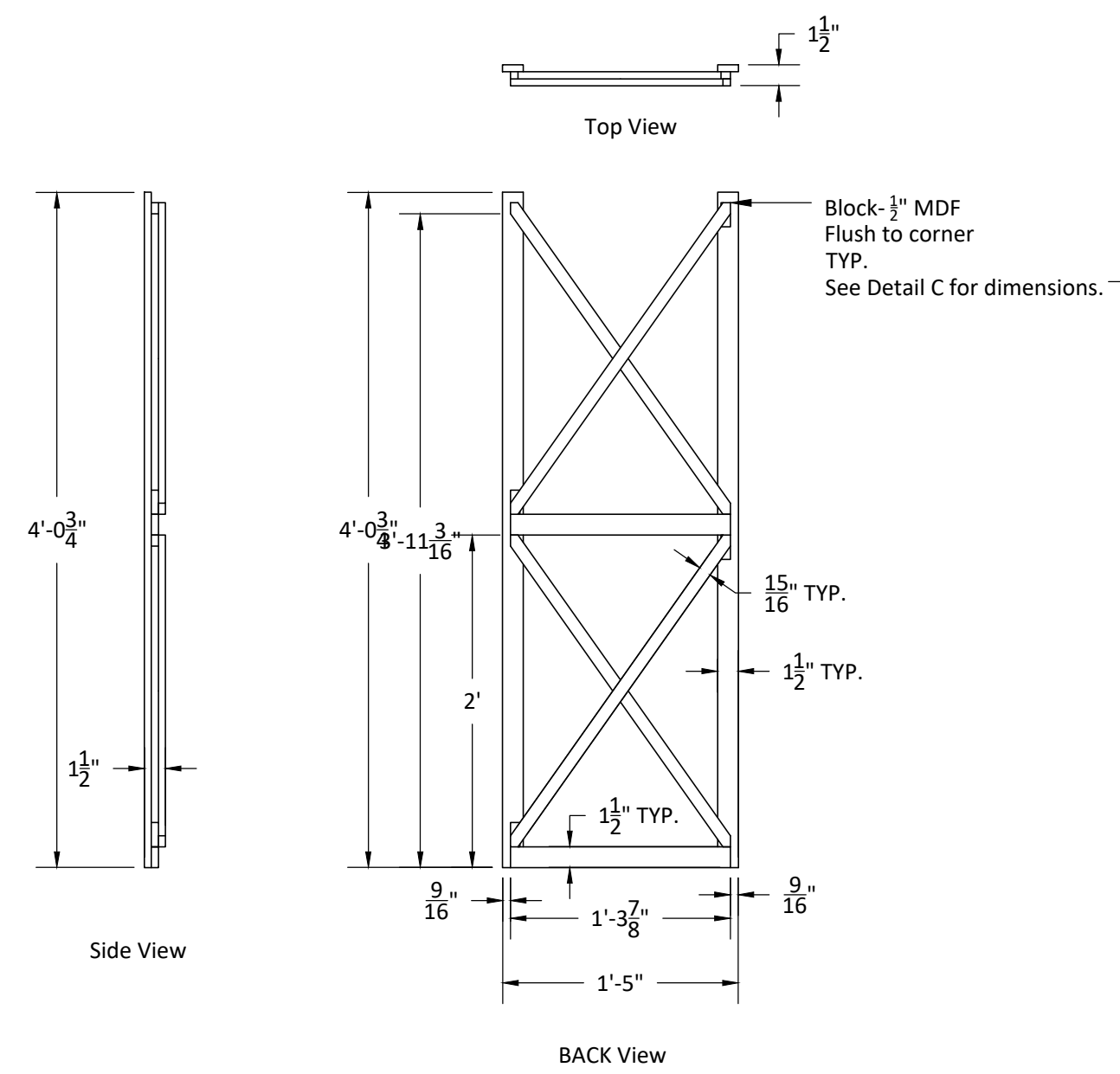
Scale: As Noted

DWG #:

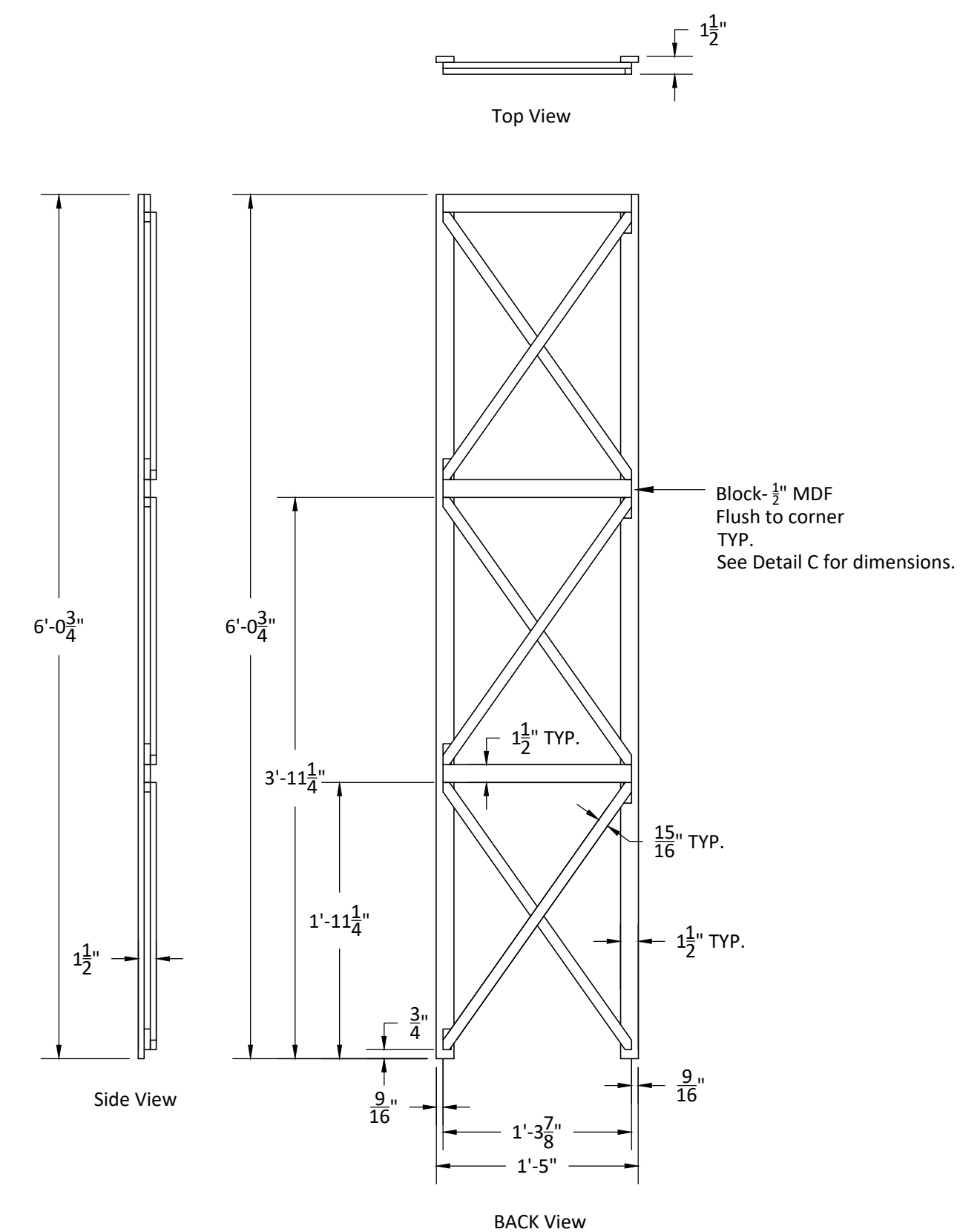
E06



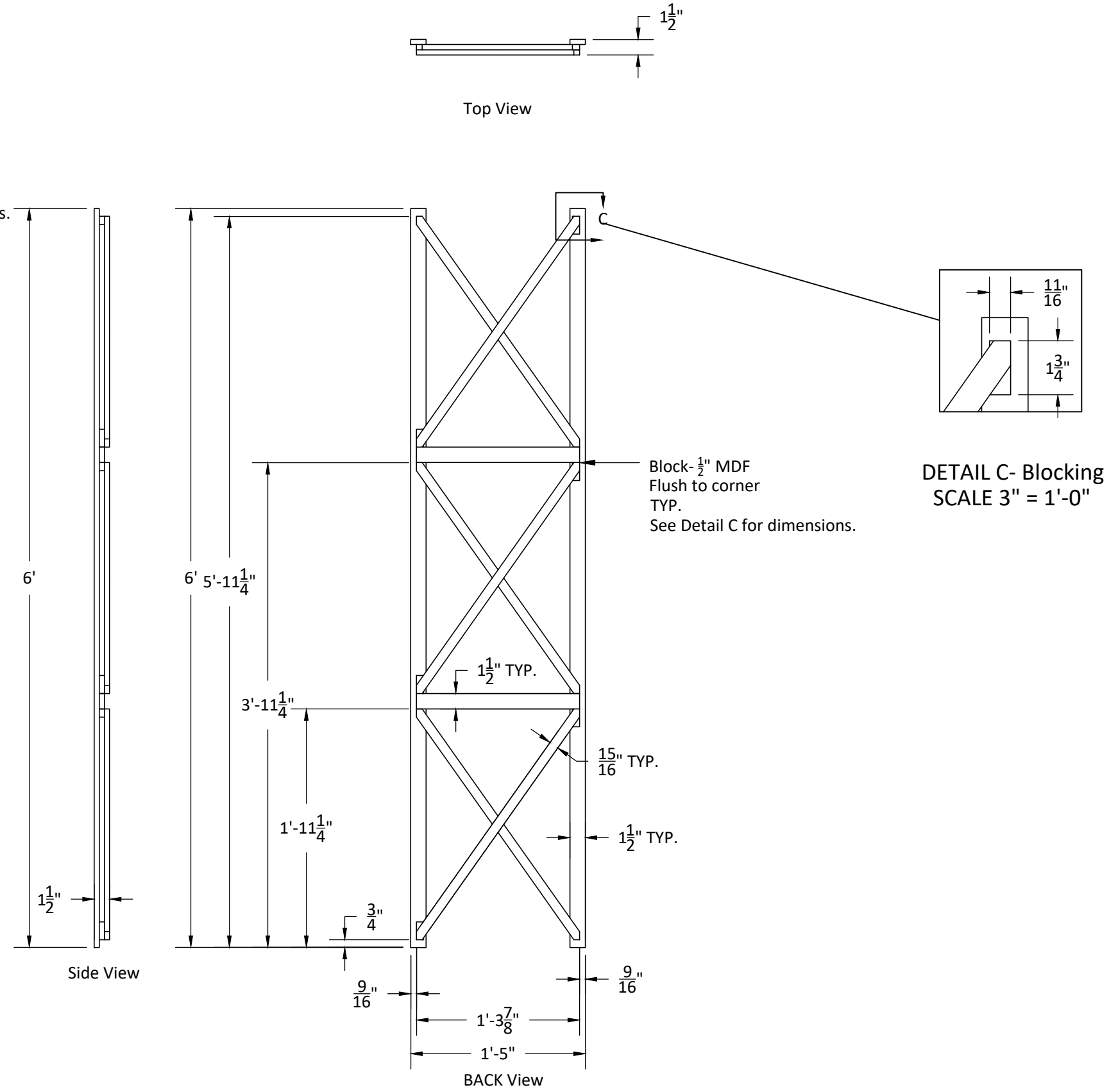
1
E08 Downstage Truss Tower ISO



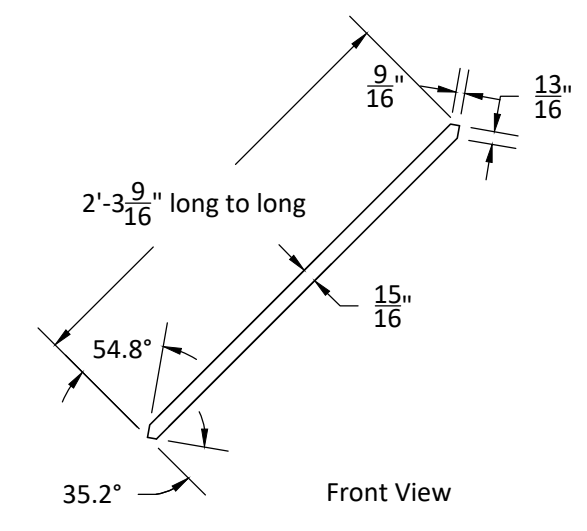
2
E08 Side Panel, Base Section- Scale: 1" = 1'-0"
Build 4 from $\frac{1}{2}$ " ultralight MDF.
Glue heavily and $\frac{3}{4}$ " brads.



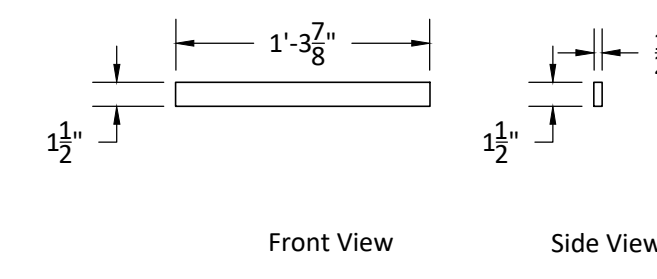
4
E08 Side Panel, Top Section- Scale: 1" = 1'-0"
Build 4 from $\frac{1}{2}$ " ultralight MDF.
Glue heavily and $\frac{3}{4}$ " brads.



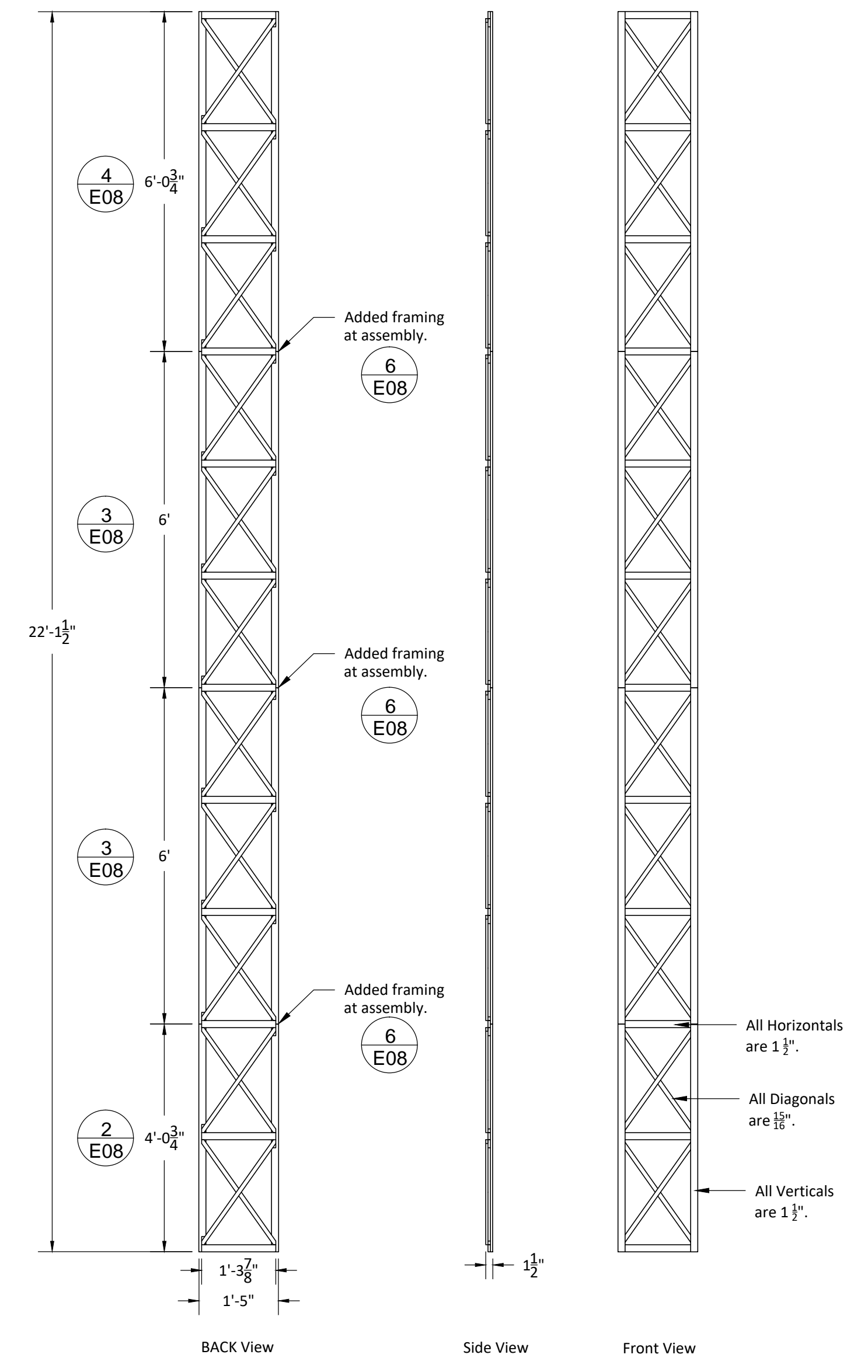
3
E08 Side Panel, Mid Sections- Scale: 1" = 1'-0"
Build 8 from $\frac{1}{2}$ " ultralight MDF.
Glue heavily and $\frac{3}{4}$ " brads.



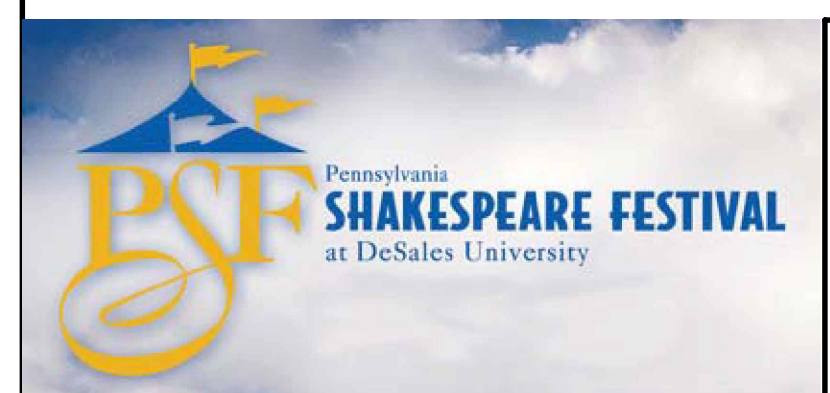
5
E08 Typical diagonal- Scale: 1" = 1'-0"
Fabricate from $\frac{1}{2}$ " ultralight MDF.



6
E08 Horizontal Connector- Scale: 1" = 1'-0"
Fabricate 12 from $\frac{1}{2}$ " ultralight MDF.
Use to assemble sections into full panel.



7
E08 Side Panels Assembled- Scale: $\frac{1}{2}$ " = 1'-0"
Assemble 2 panels from component frames
with glue and MDF screws.

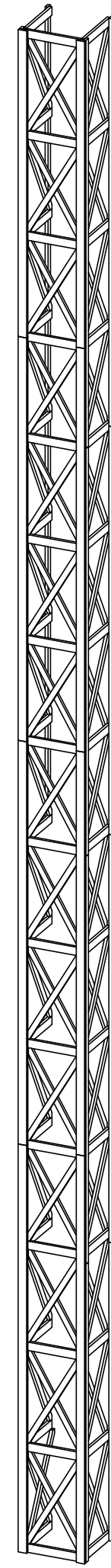


Evita

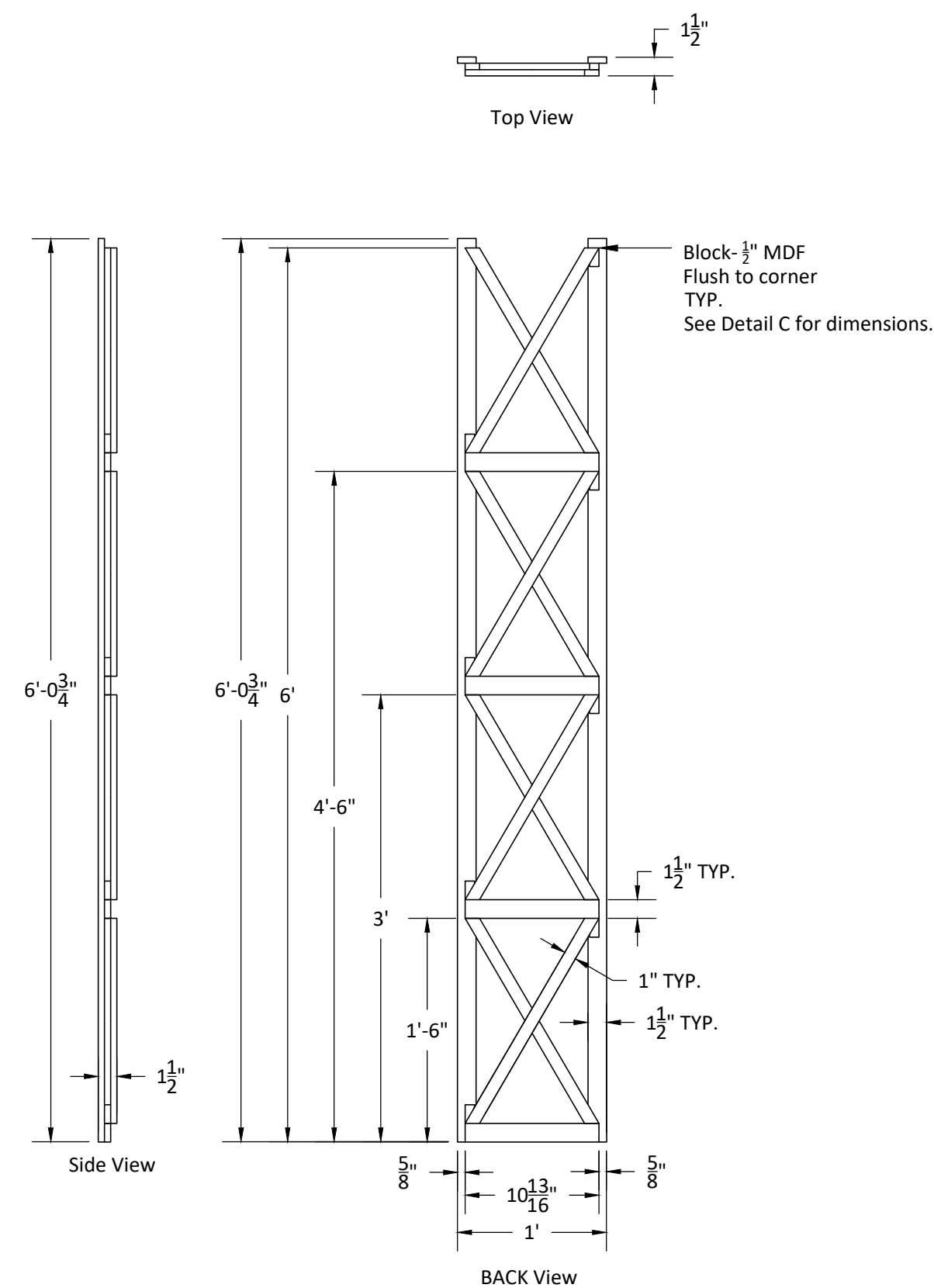
Downstage Truss Side Panels

Director: D.Razze	Designer: S.TenEyck
Tech Director: Aaron Mayer	Drafted By: A.Mayer
DWG Date: 5/15/2017	REV Date:
	Scale: As Noted

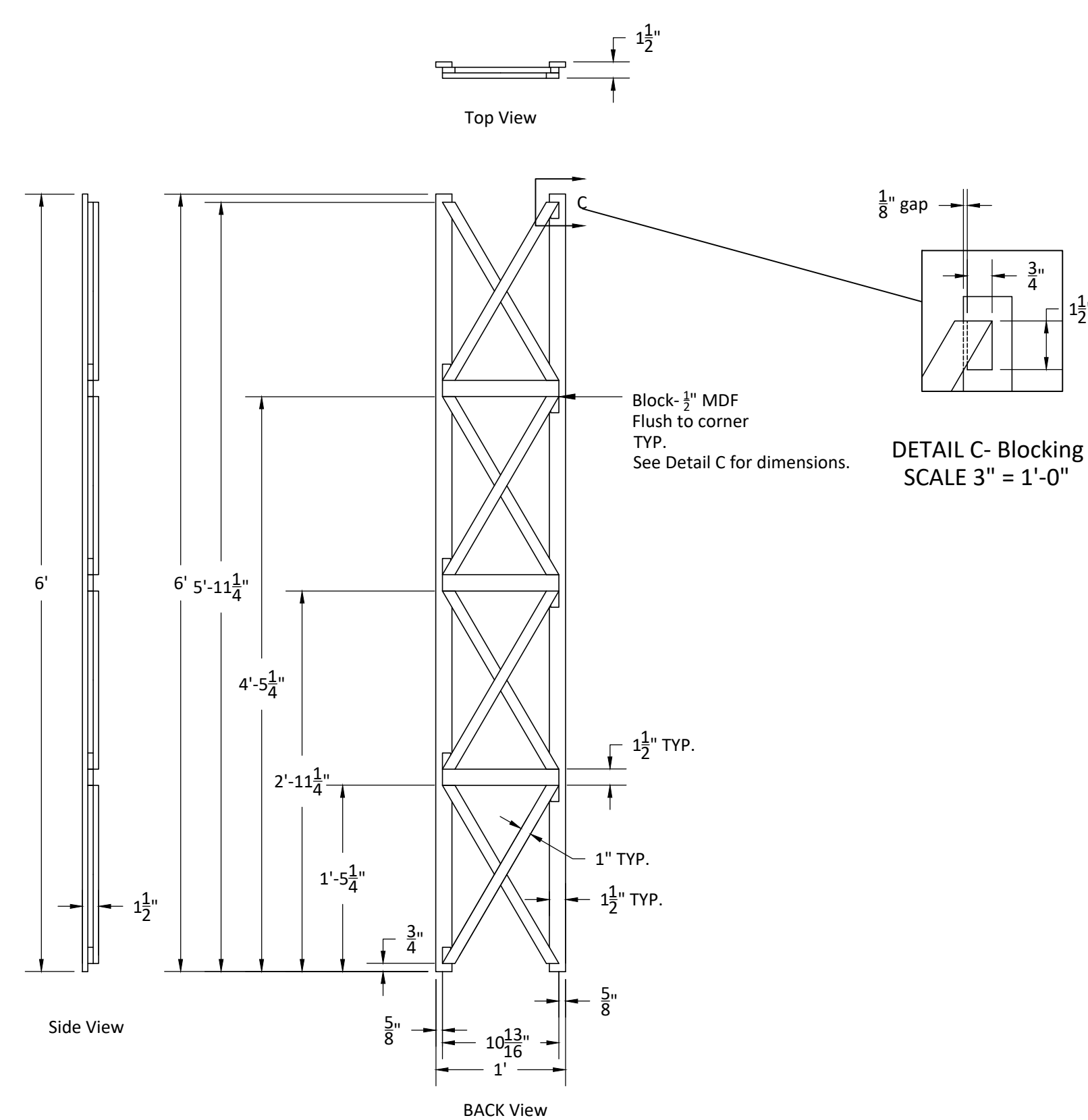
DWG #:
E08



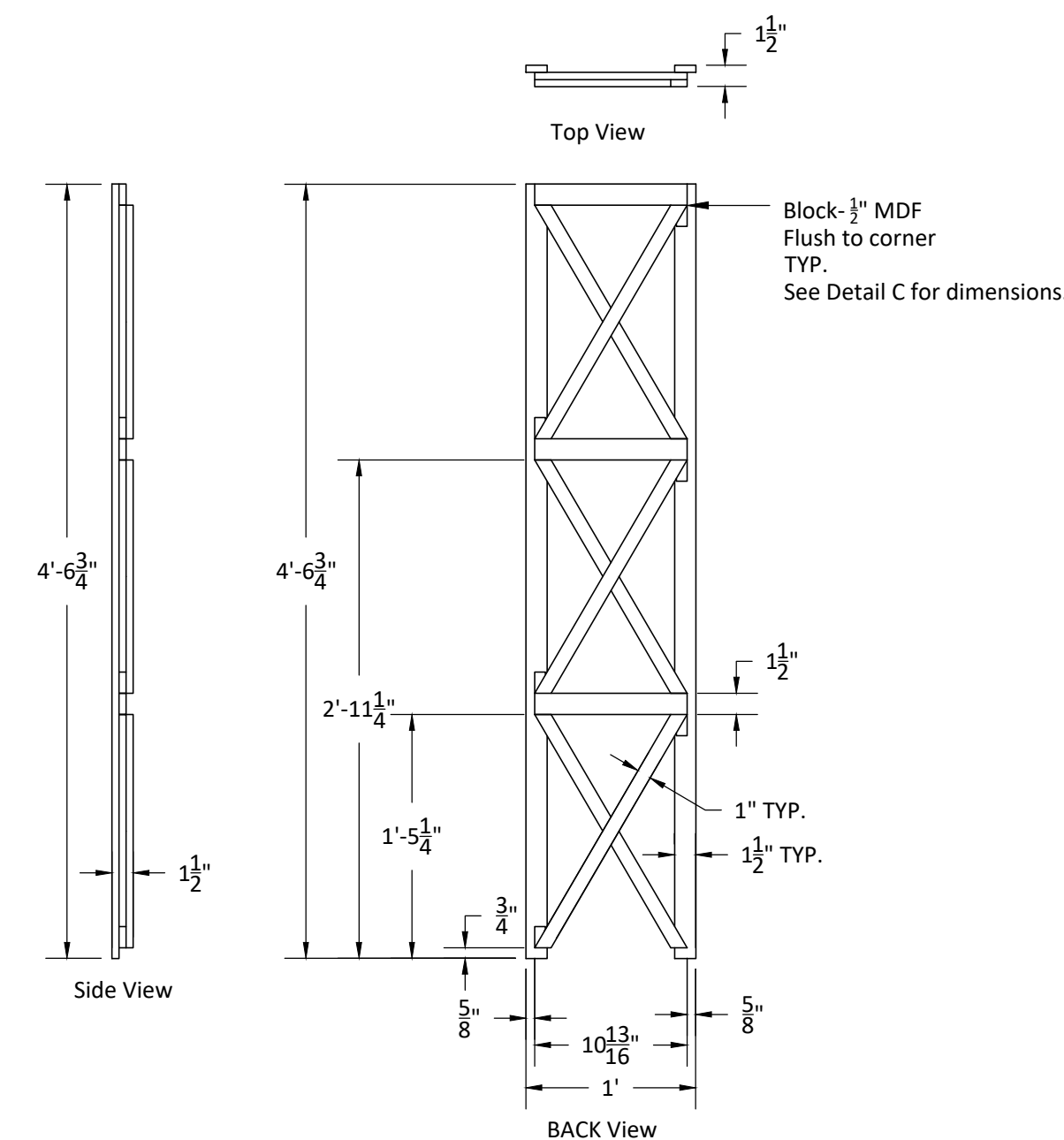
1 E09 Upstage Truss Tower ISO



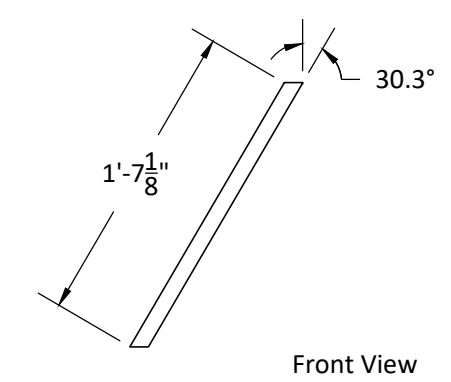
2 E09 Front/Back Panel, Base Section- Scale: 1" = 1'-0"
Build 8 from 1/2" ultralight MDF. Glue heavily and 3/4" brads.



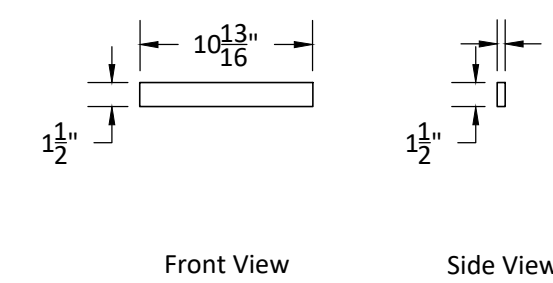
3 E09 Front/Back Panel, Mid Sections- Scale: 1" = 1'-0"
Build 16 from 1/2" ultralight MDF. Glue heavily and 3/4" brads.



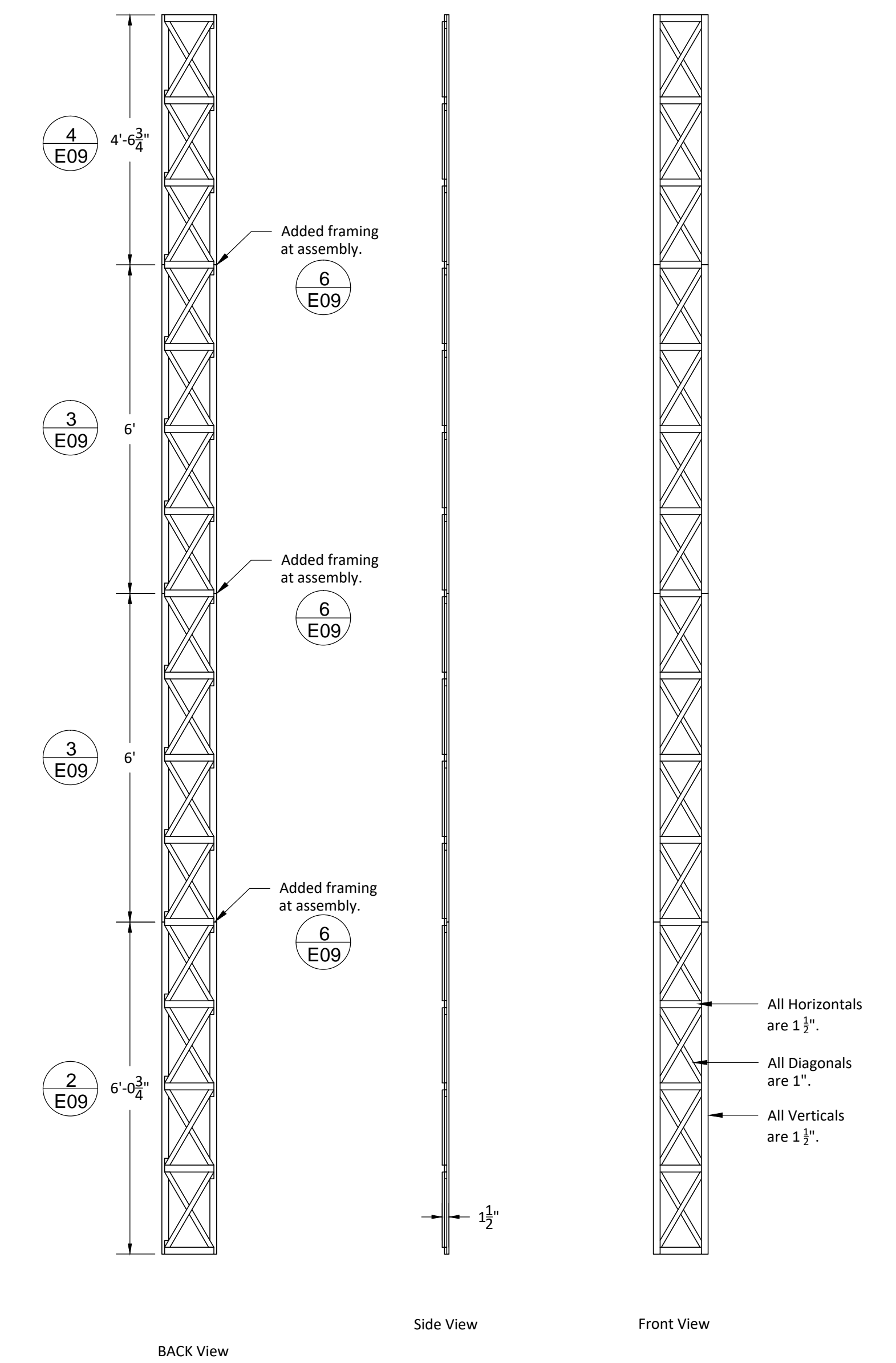
4 E09 Front/Back Panel, Top Section- Scale: 1" = 1'-0"
Build 8 from 1/2" ultralight MDF. Glue heavily and 3/4" brads.



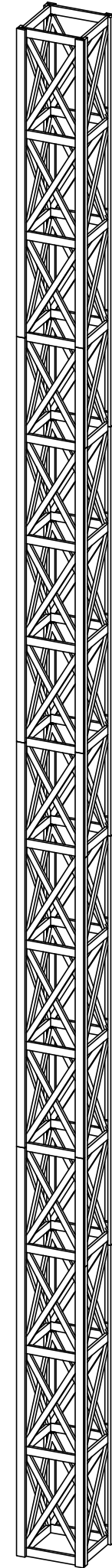
5 E09 Typical diagonal- Scale: 1" = 1'-0"
Fabricate from 1/2" ultralight MDF.



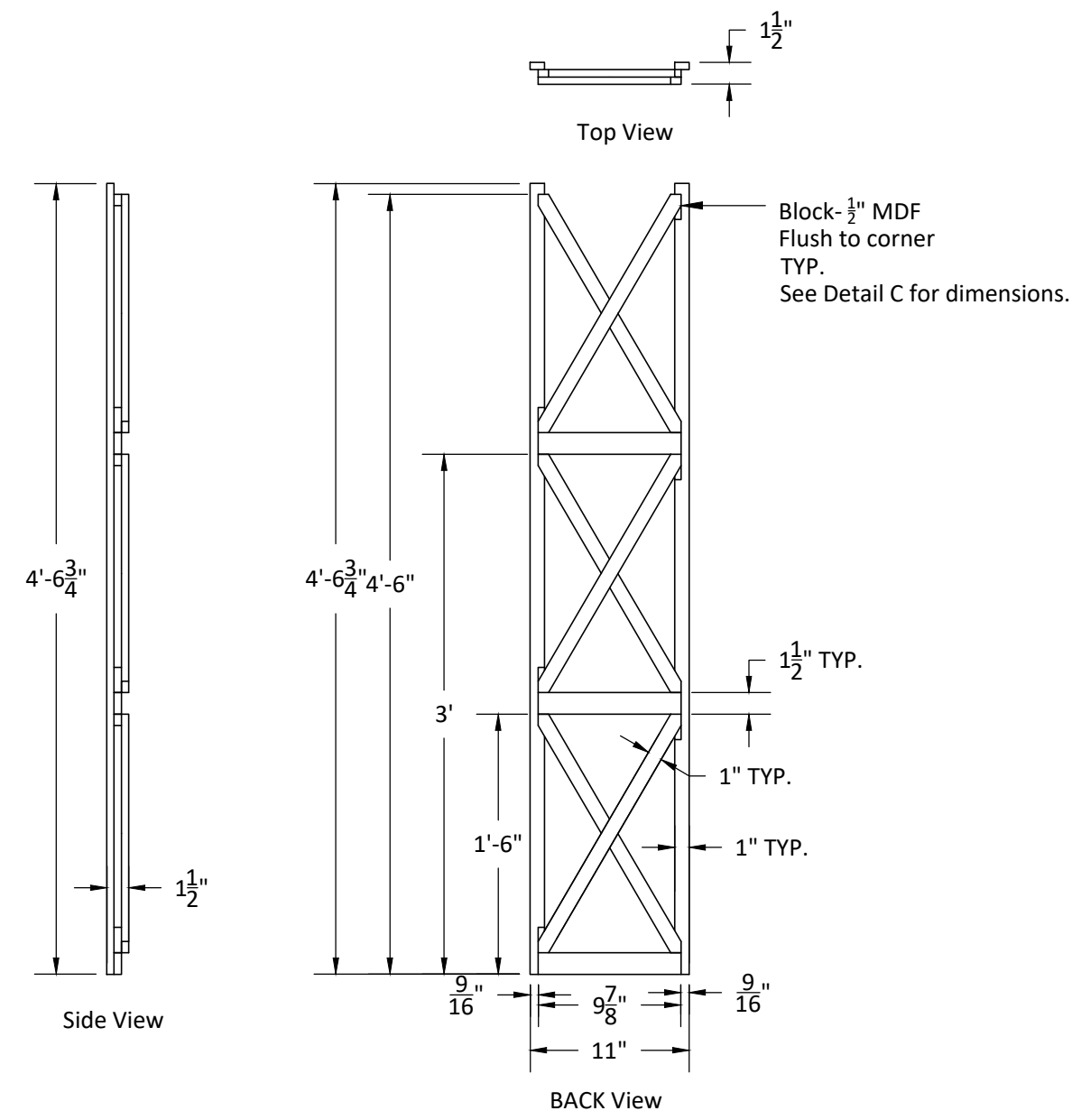
6 E09 Horizontal Connectors- Scale: 1" = 1'-0"
Fabricate 24 from 1/2" ultralight MDF. Use to assemble sections into full panel.



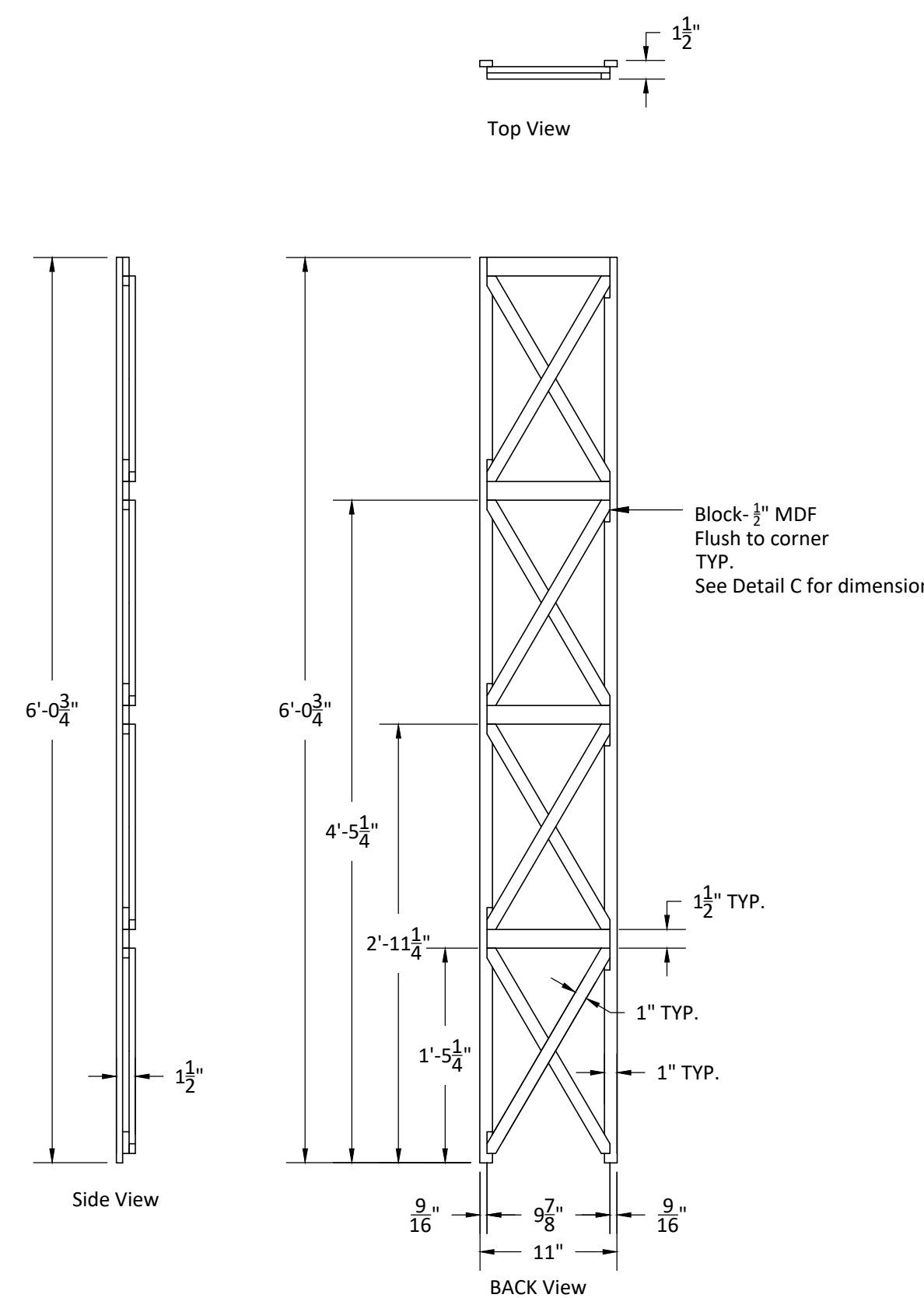
7 E09 Front and Back Panels Assembled- Scale: 1/2" = 1'-0"
Assemble 8 panels from component frames with glue and MDF screws.



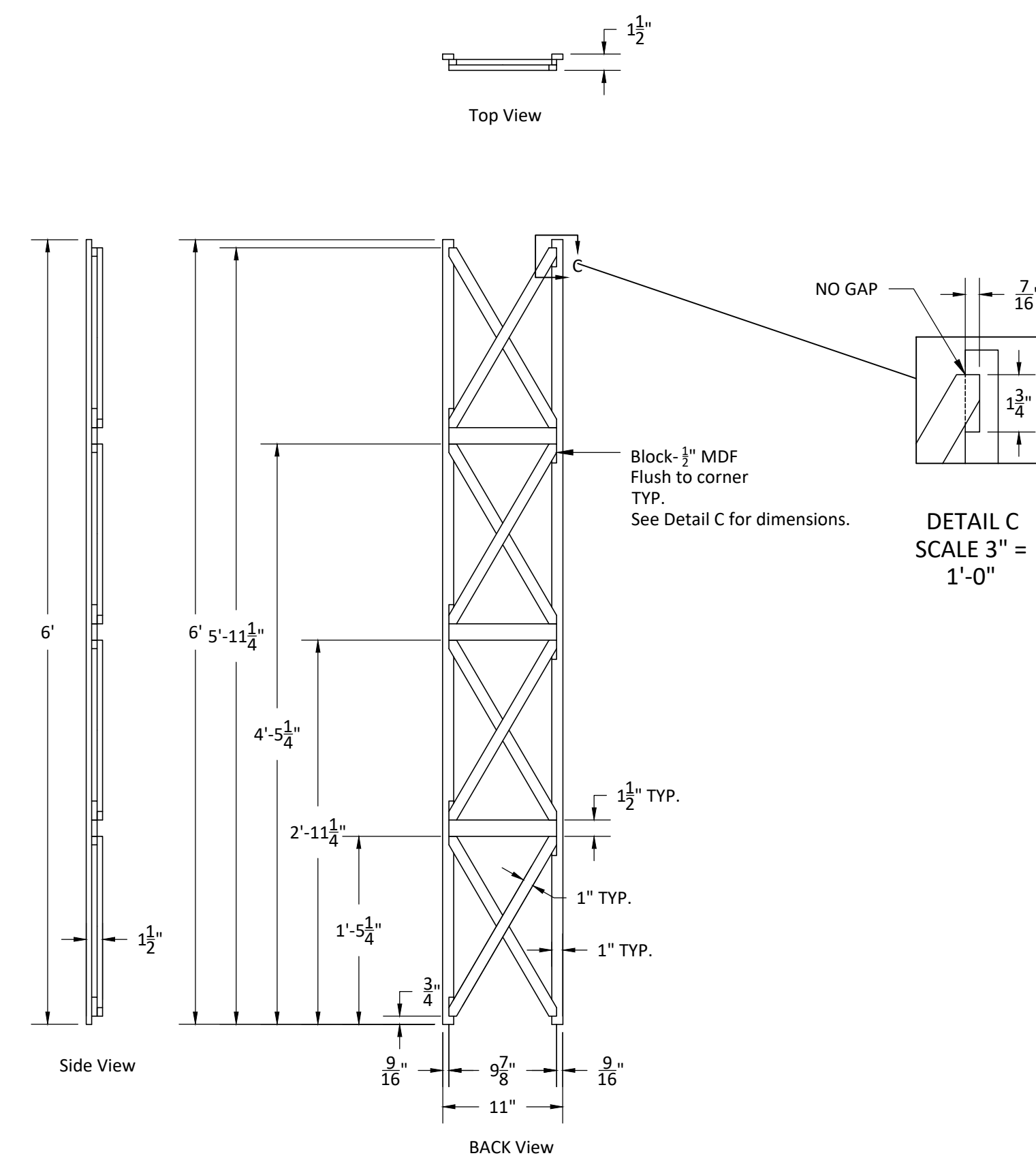
1
E10 Upstage Truss Tower ISO



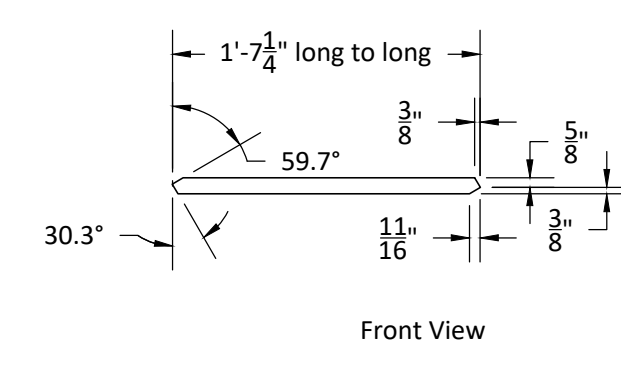
2
E10 Side Panel, Base Section- Scale: 1" = 1'-0"
Build 8 from $\frac{1}{2}$ " ultralight MDF.
Glue heavily and $\frac{3}{4}"$ brads.



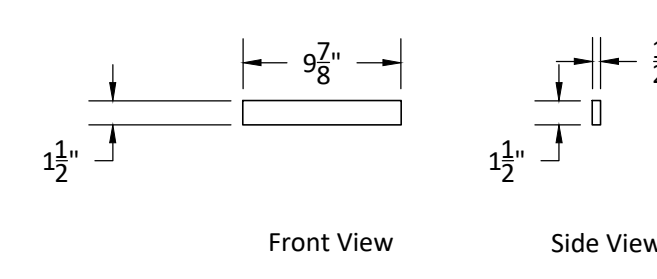
4
E10 Side Panel, Top Section- Scale: 1" = 1'-0"
Build 8 from $\frac{1}{2}$ " ultralight MDF.
Glue heavily and $\frac{3}{4}"$ brads.



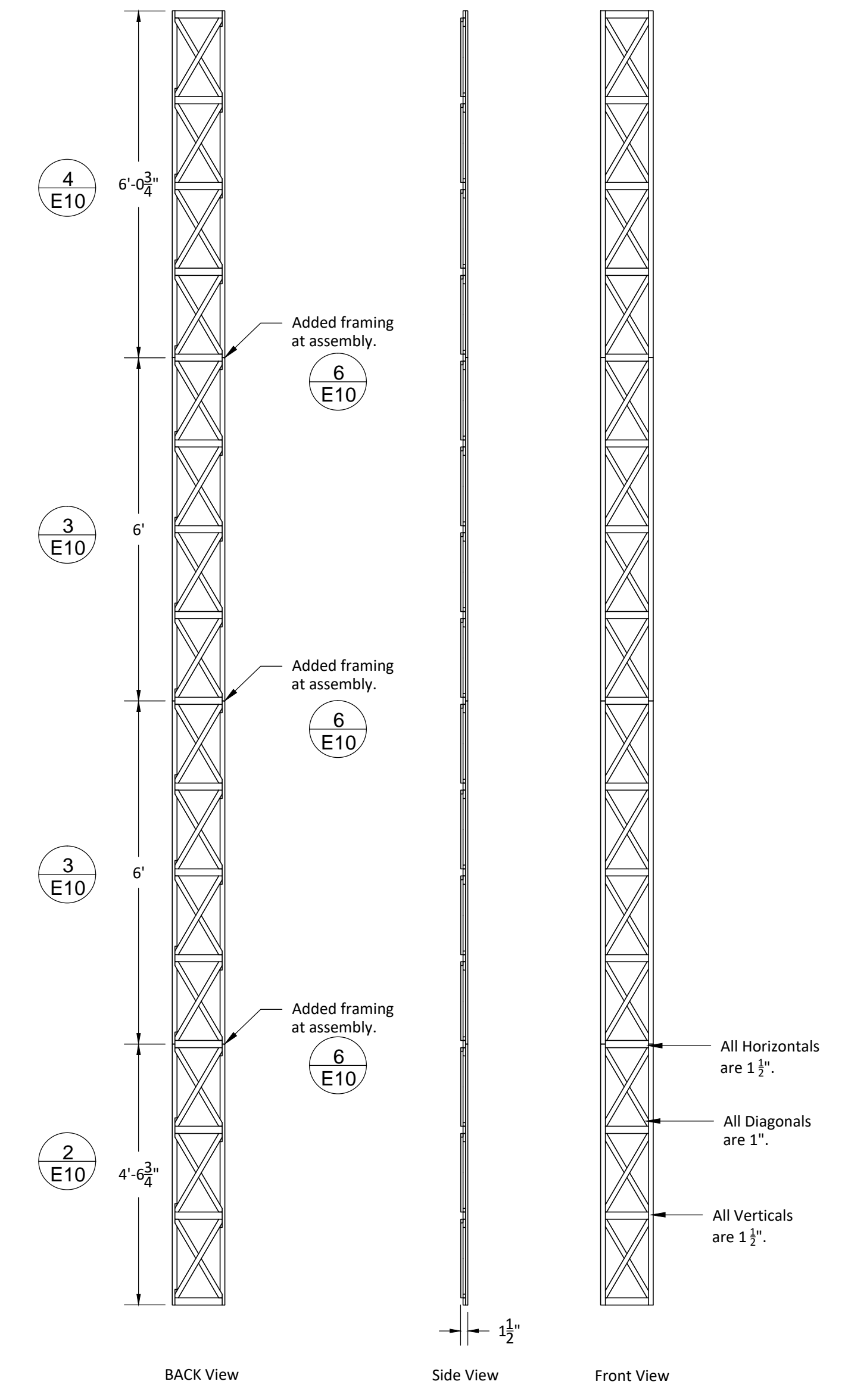
3
E10 Side Panel, Mid Sections- Scale: 1" = 1'-0"
Build 16 from $\frac{1}{2}$ " ultralight MDF.
Glue heavily and $\frac{3}{4}"$ brads.



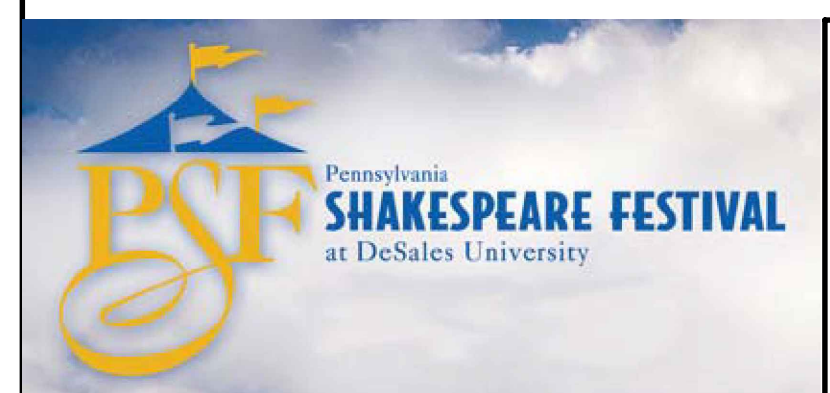
5
E10 Typical diagonal- Scale: 1" = 1'-0"
Fabricate from $\frac{1}{2}"$ ultralight MDF.



6
E10 Horizontal Connector- Scale: 1" = 1'-0"
Fabricate 24 from $\frac{1}{2}"$ ultralight MDF.
Use to assemble sections into full panel.

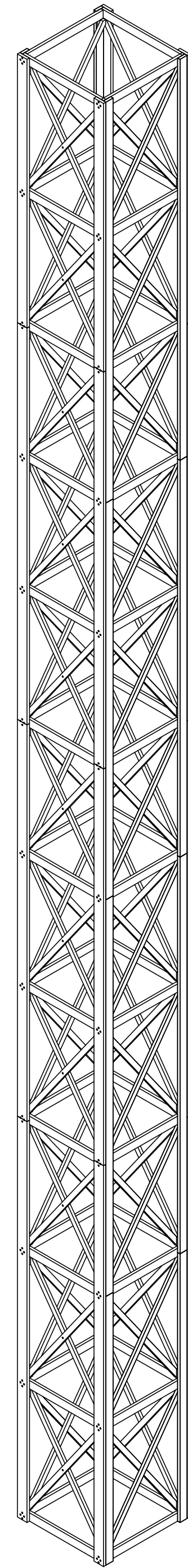


7
E10 Side Panels Assembled- Scale: $\frac{1}{2}" = 1'-0"$
Assemble 8 panels from component frames
with glue and MDF screws.

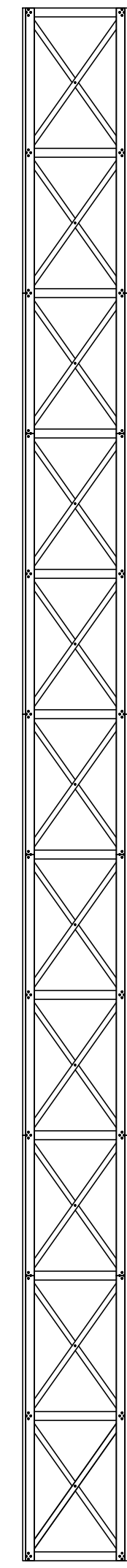


Evita

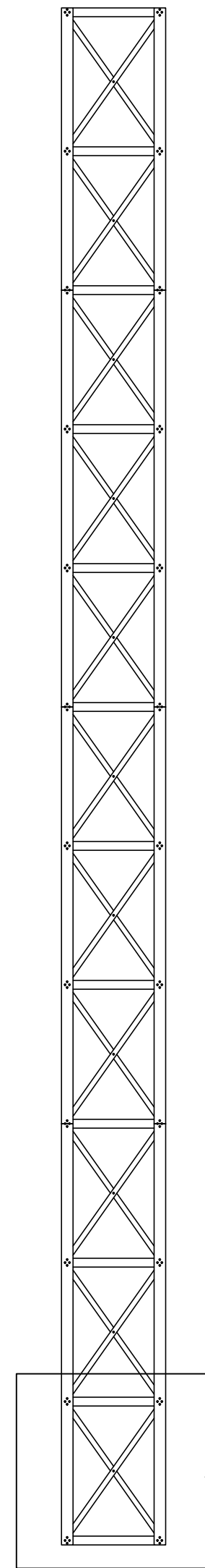
Upstage Truss Side Panels		DWG #: E10
Director: D.Razze	Designer: S.TenEyck	
Tech Director: Aaron Mayer	Drafted By: A.Mayer	
DWG Date: 5/16/2017	REV Date:	



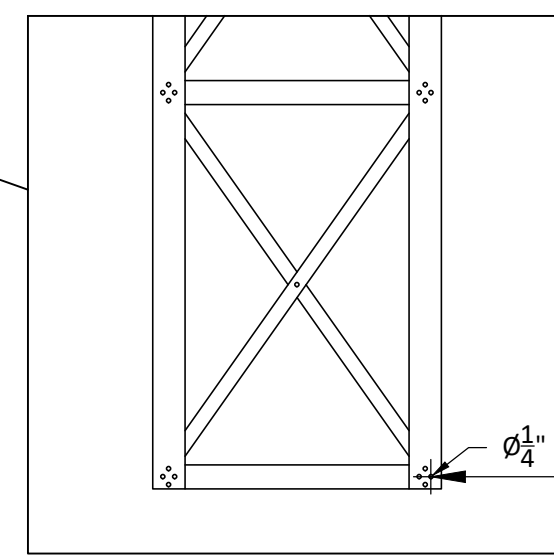
1
E11 Downstage Truss Tower ISO



Side View

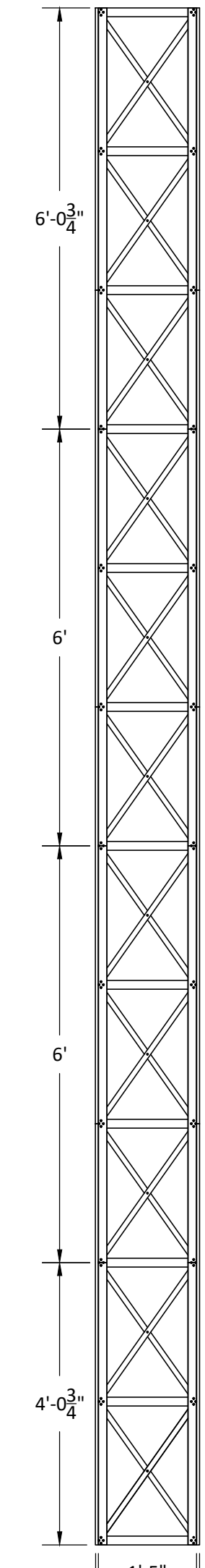


Front View

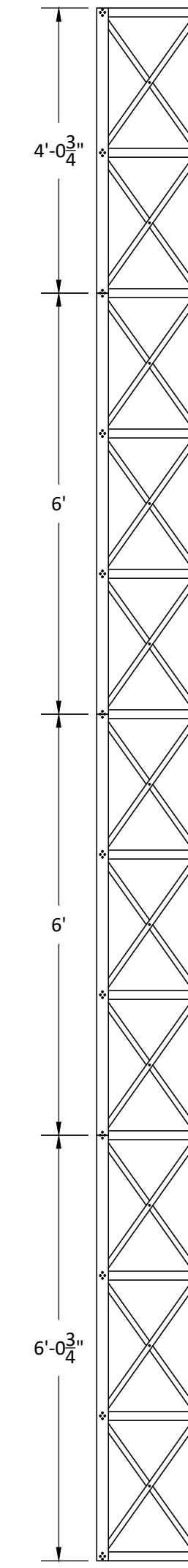


DETAIL A
SCALE 1" = 1'-0"

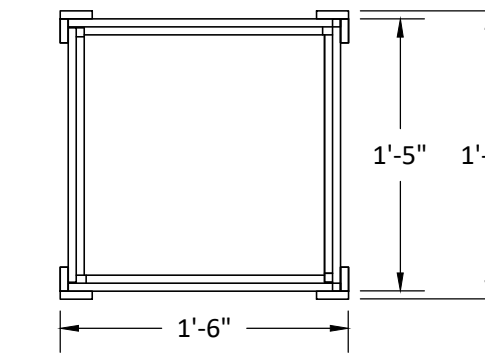
2
E11 Rivet Placement- Scale: 1/2" = 1'-0"
Drill stopped holes for each rivet point.
Drill backs LAST.



Side View

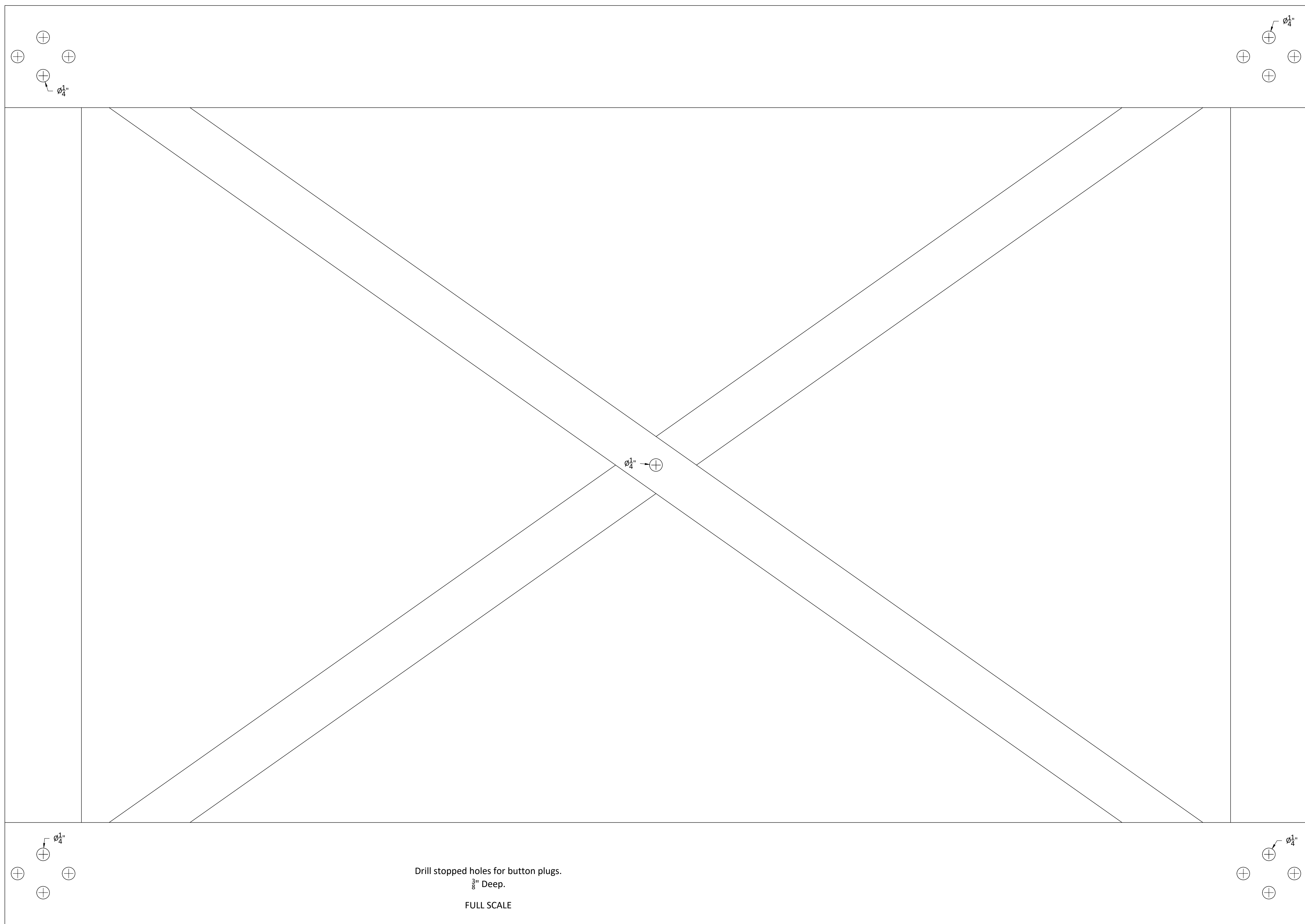


Front View



Top View- Scale: 1" = 1'-0"

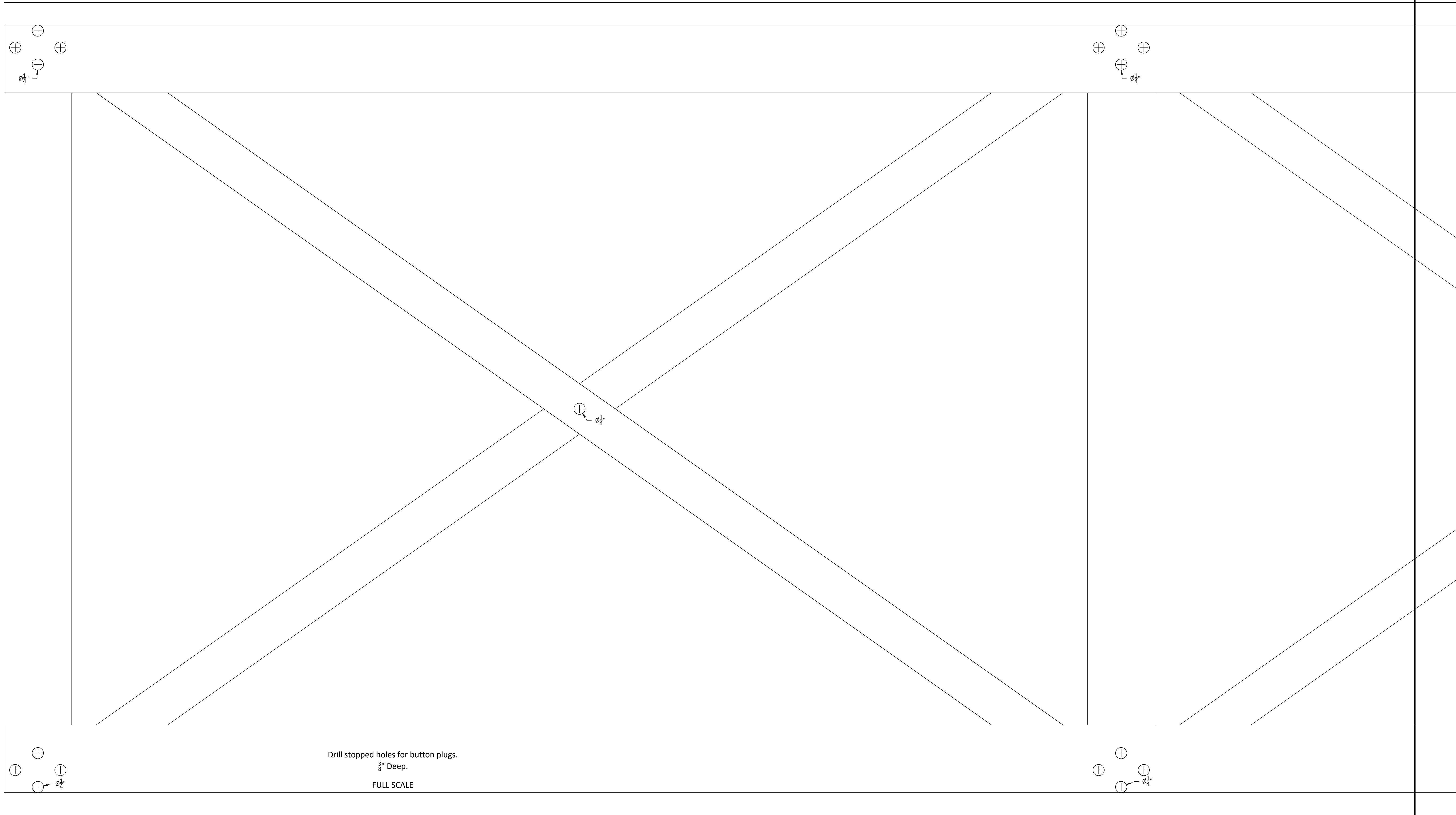
3
E11 Tower Assembly- Scale: 1/2" = 1'-0"
Assemble Units as shown.
Attach with glue and MDF screws.



Evita

Downstage Truss Front/Back Panel Rivets		
Director: D.Razze	Designer: S.TenEyck	
Tech Director: Aaron Mayer	Drafted By: A.Mayer	
DWG Date: 5/17/2017	REV Date:	Scale: As Noted

DWG #:
E12

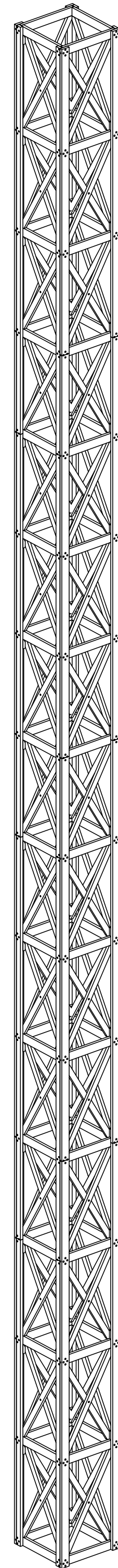


Evita

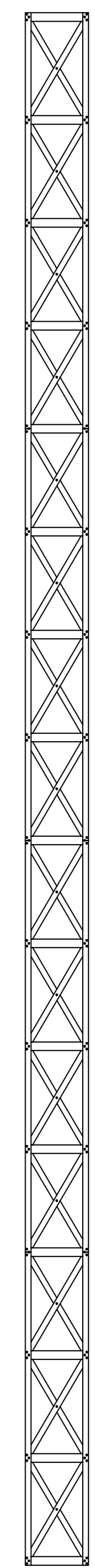
Downstage Truss Side Panel Rivets

Director: D.Razze	Designer: S.TenEyck
Tech Director: Aaron Mayer	Drafted By: A.Mayer
DWG Date: 5/17/2017	REV Date: Scale: As Noted

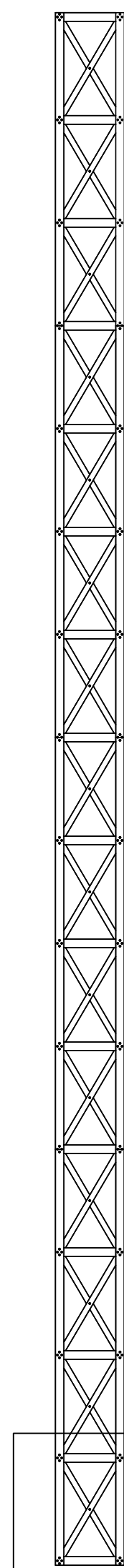
DWG #:
E13



1
E14 Upstage Truss Tower ISO

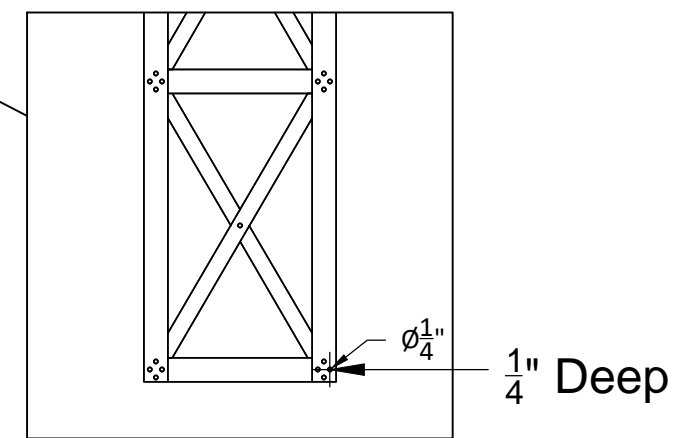


Side View

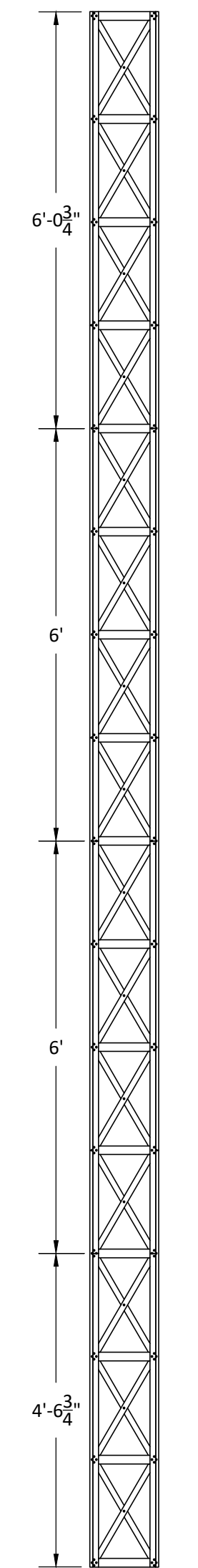


Front View

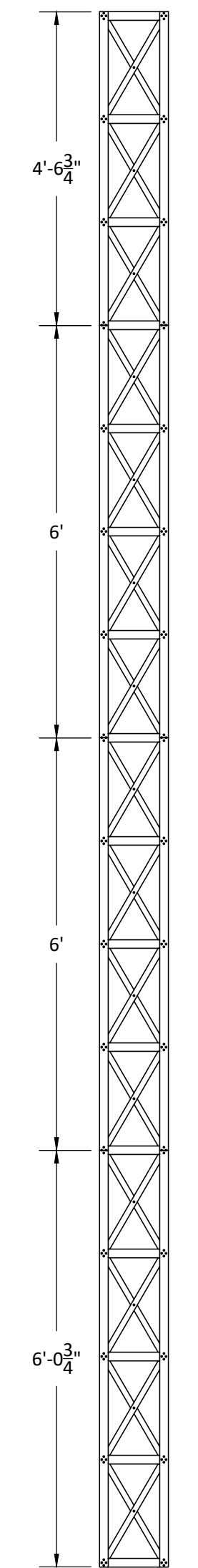
2
E14 Rivet Placement- Scale: $\frac{1}{2}'' = 1'-0''$
Drill stopped holes for each rivet point.
Drill backs LAST.



DETAIL A
SCALE 1" = 1'-0"

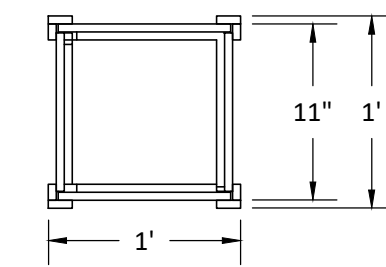


Side View

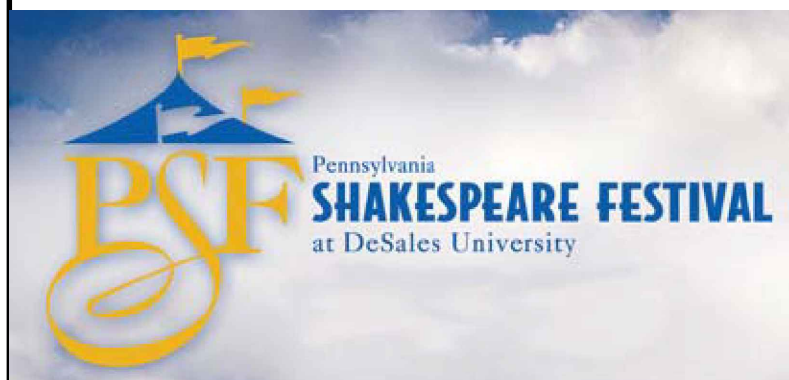


Front View

3
E14 Tower Assembly- Scale: $\frac{1}{2}'' = 1'-0''$
Assemble Units as shown.
Attach with glue and brads.



Top View- Scale: 1" = 1'-0"



Evita

Upstage Truss Rivets and Assembly

Director: D.Razze

Designer: S.TenEyck

Tech Director: Aaron Mayer

Drafted By: A.Mayer

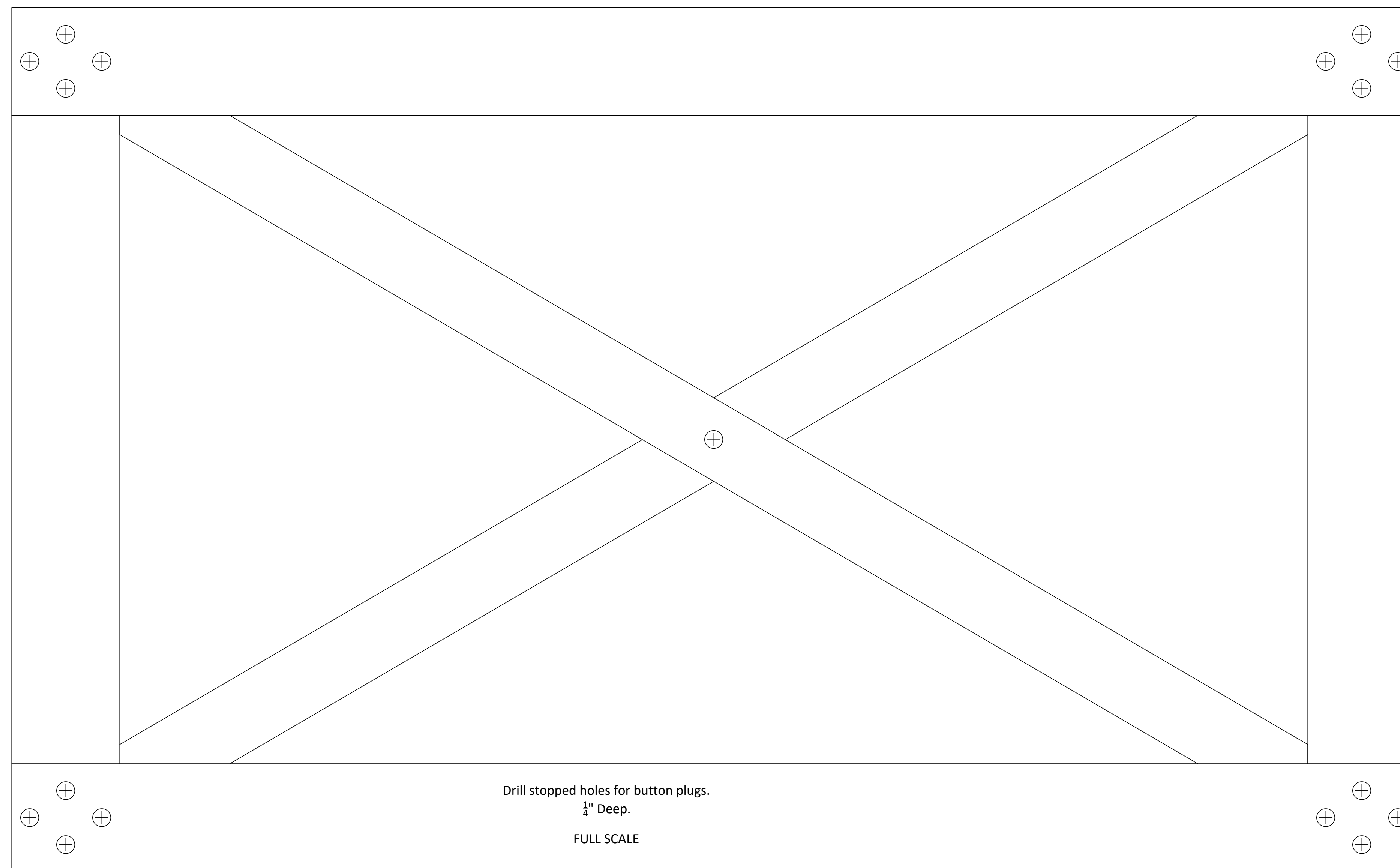
DWG Date: 5/17/2017

REV Date:

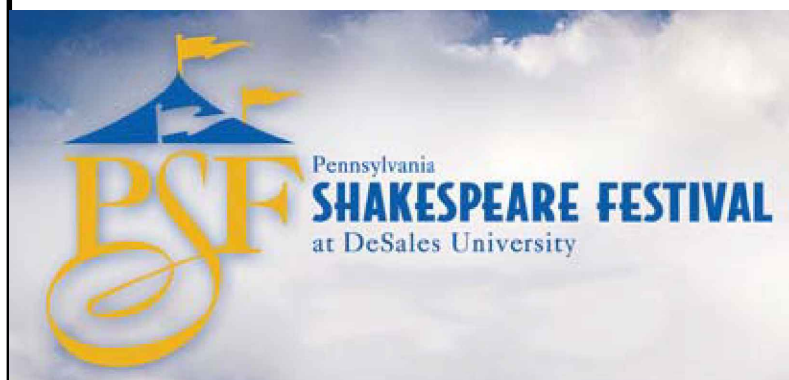
Scale: As Noted

DWG #:

E14



Drill stopped holes for button plugs.
 $\frac{1}{4}$ " Deep.
 FULL SCALE



Evita

Upstage Truss Front/Back Panel Rivets

Director: D.Razze

Designer: S.TenEyck

Tech Director: Aaron Mayer

Drafted By: A.Mayer

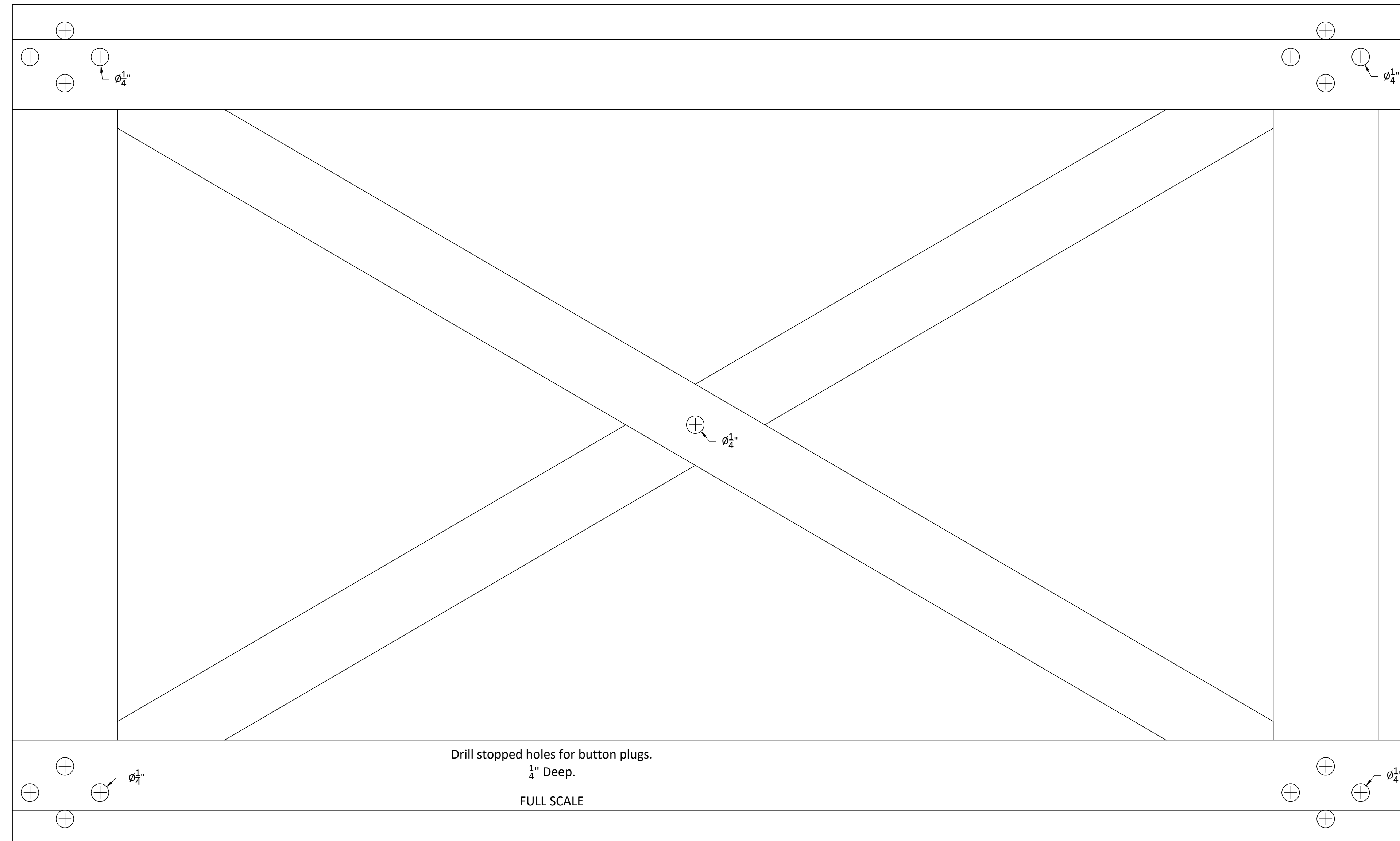
DWG Date: 5/17/2017

REV Date:

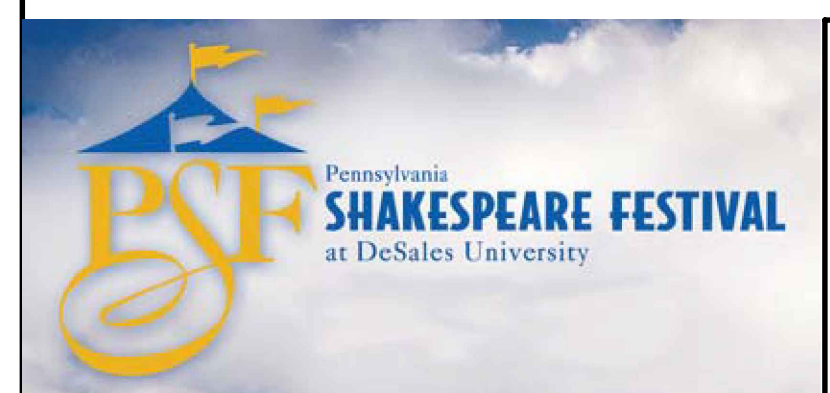
Scale: As Noted

DWG #:

E15



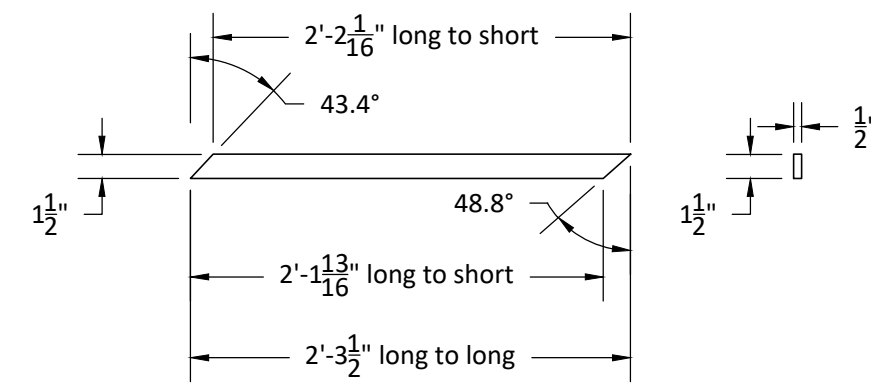
Drill stopped holes for button plugs.
 1/4" Deep.
 FULL SCALE



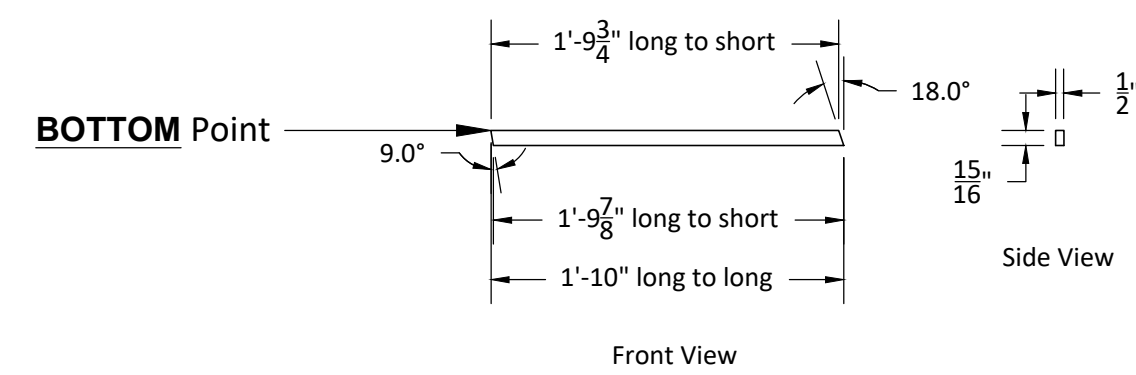
Evita

Upstage Truss Side Panel Rivets		
Director: D.Razze	Designer: S.TenEyck	
Tech Director: Aaron Mayer	Drafted By: A.Mayer	
DWG Date: 5/17/2017	REV Date:	Scale: As Noted

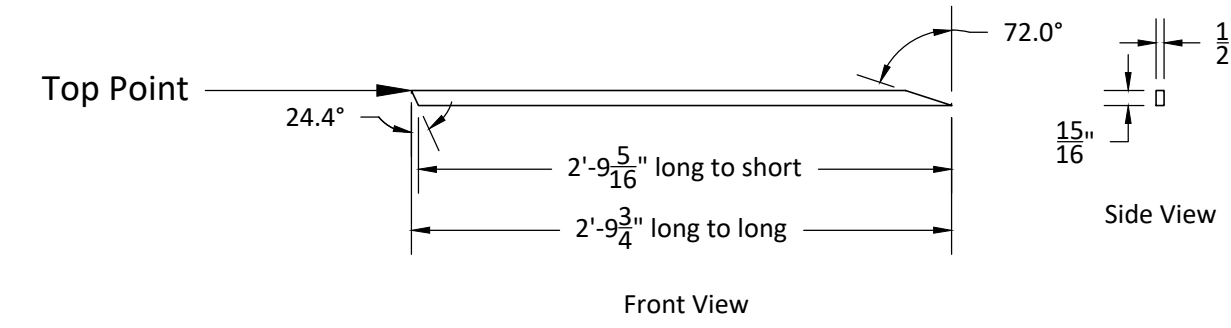
DWG #:
E16



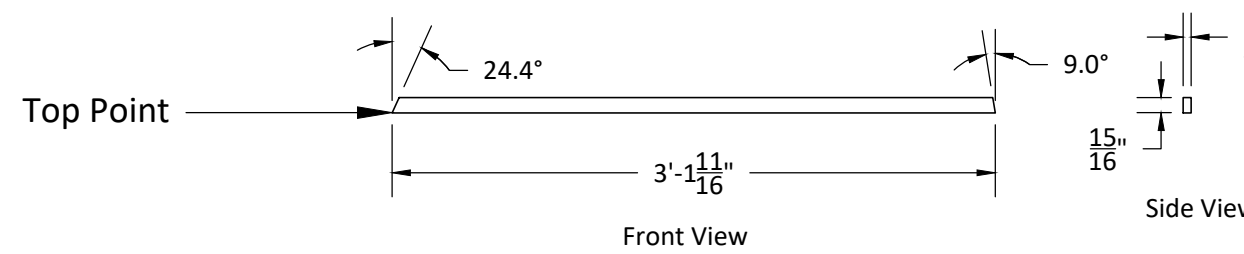
10
E17 Component H- Scale: 1" = 1'-0"
Fabricate 1 from 1/2" ultralight MDF.
Use to assemble sections into full panel.



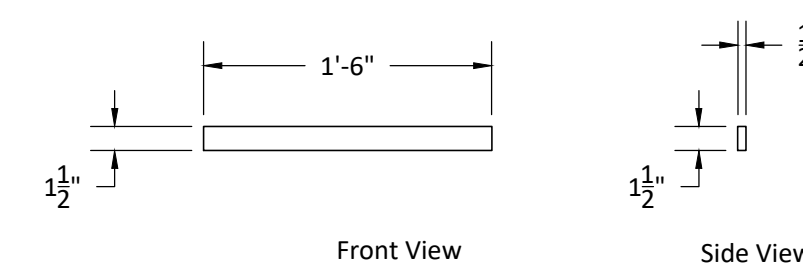
9
E17 Component G- Scale: 1" = 1'-0"
Fabricate 1 from 1/2" ultralight MDF.
Use to assemble sections into full panel.



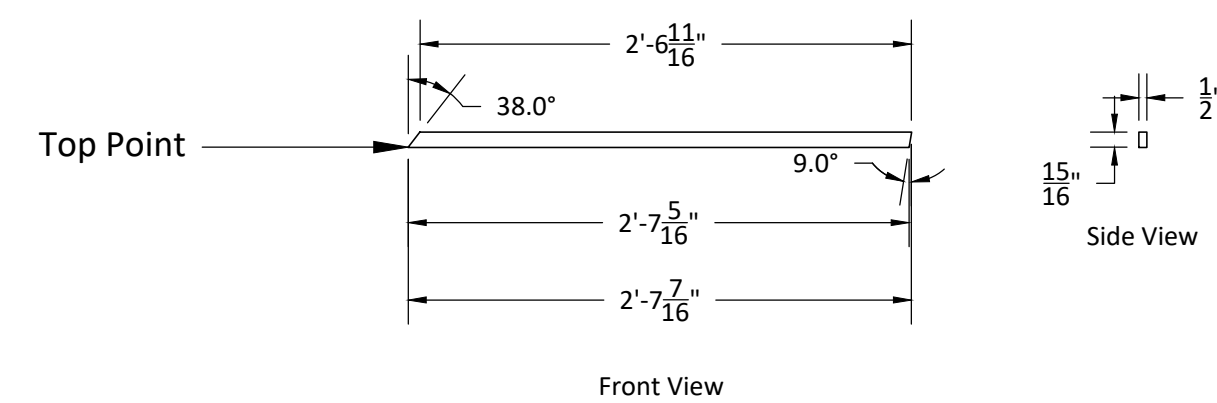
8
E17 Component F- Scale: 1" = 1'-0"
Fabricate 1 from 1/2" ultralight MDF.
Use to assemble sections into full panel.



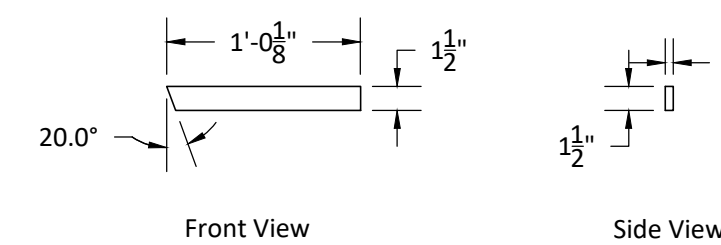
7
E17 Component E- Scale: 1" = 1'-0"
Fabricate 3 from 1/2" ultralight MDF.
Use to assemble sections into full panel.



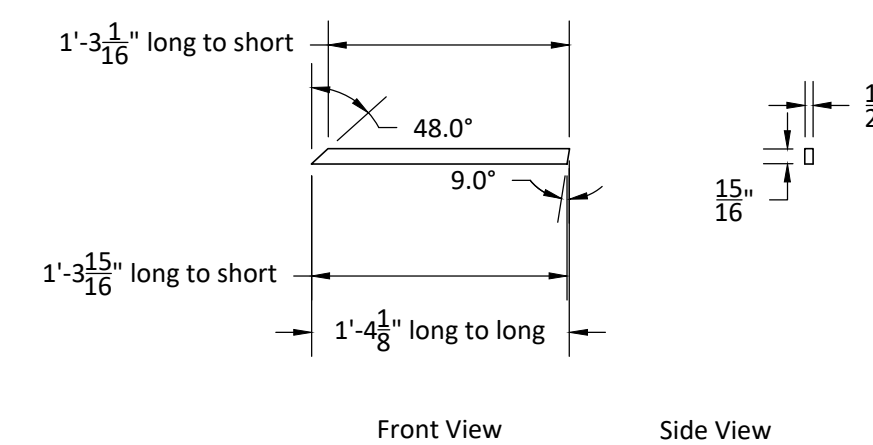
6
E17 Component D- Scale: 1" = 1'-0"
Fabricate 2 from 1/2" ultralight MDF.
Use to assemble sections into full panel.



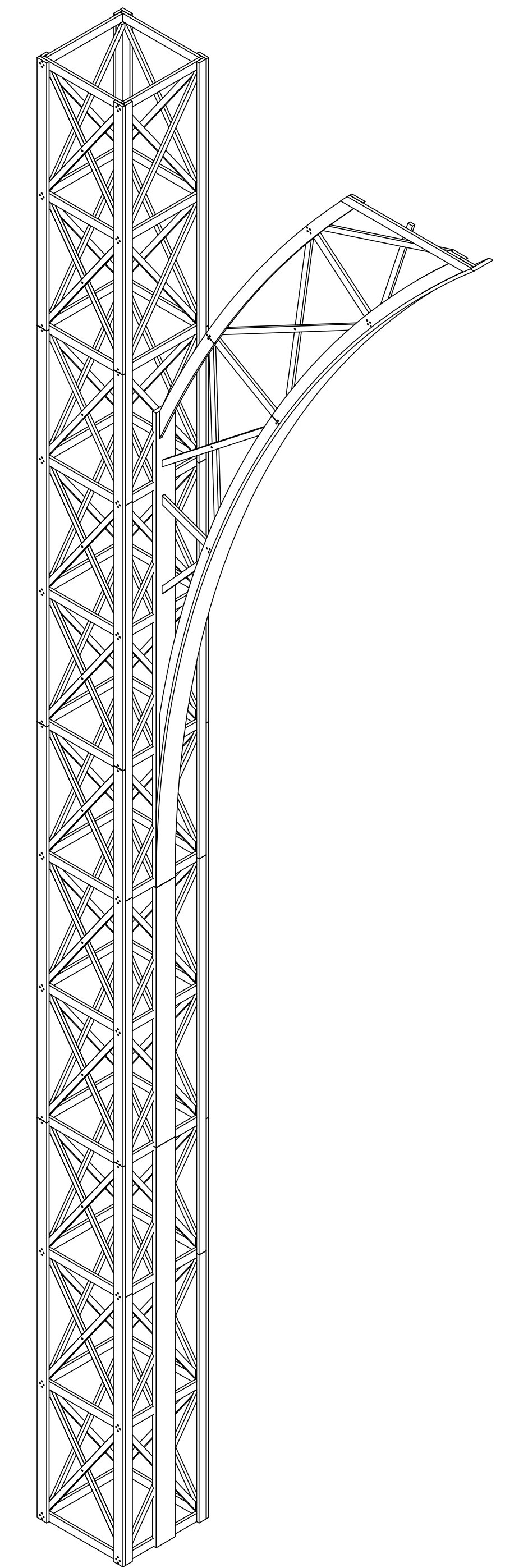
5
E17 Component C- Scale: 1" = 1'-0"
Fabricate 1 from 1/2" ultralight MDF.
Use to assemble sections into full panel.



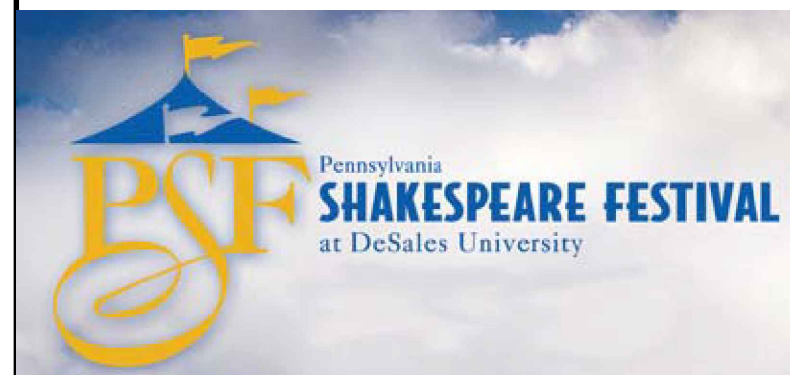
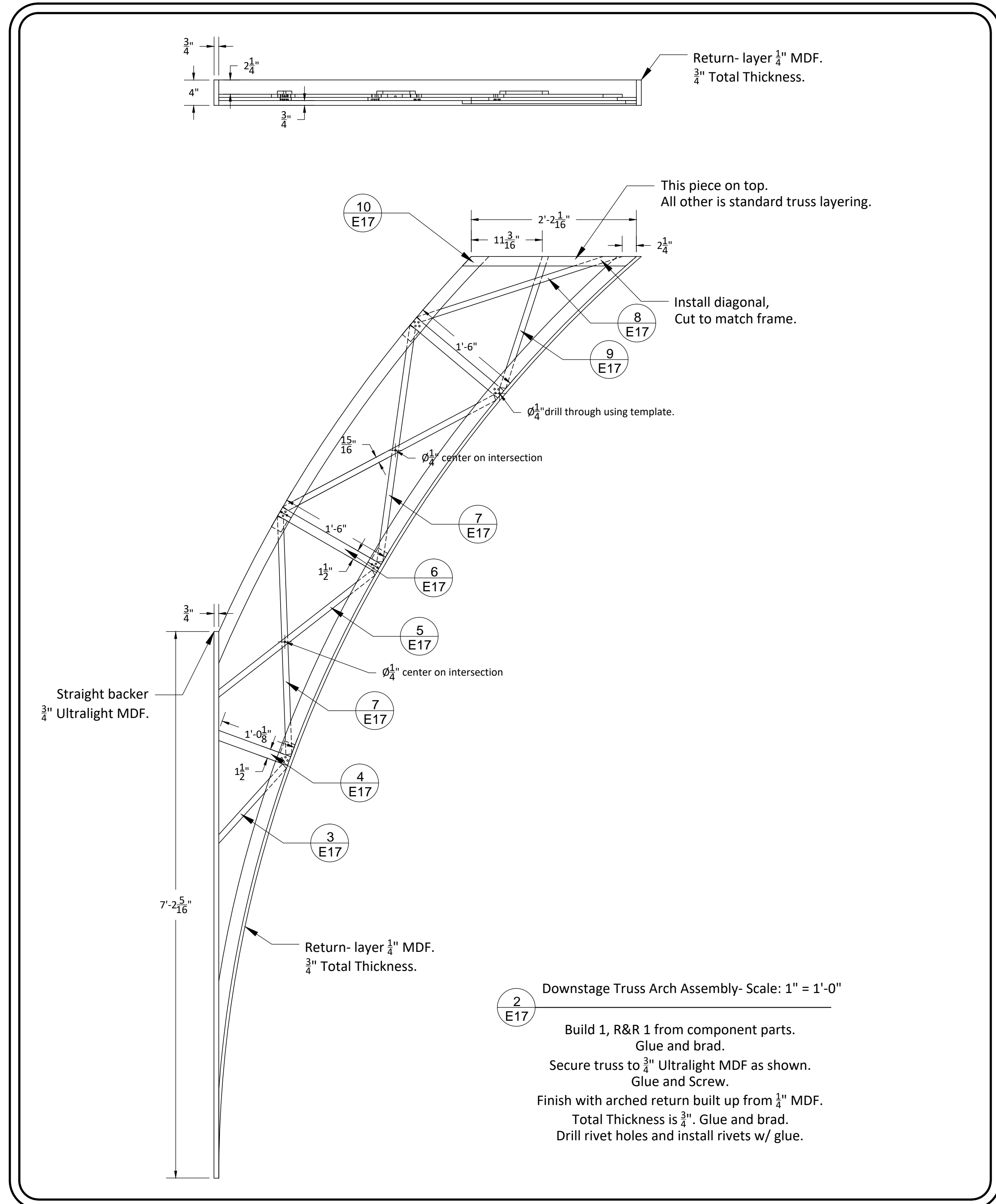
4
E17 Component B- Scale: 1" = 1'-0"
Fabricate 1 from 1/2" ultralight MDF.
Use to assemble sections into full panel.



3
E17 Component A- Scale: 1" = 1'-0"
Fabricate 1 from 1/2" ultralight MDF.
Use to assemble sections into full panel.



1
E17 Downstage Truss Tower ISO



Evita

Downstage Truss Arches

Director: D.Razze

Designer: S.TenEyck

Tech Director: Aaron Mayer

Drafted By: A.Mayer

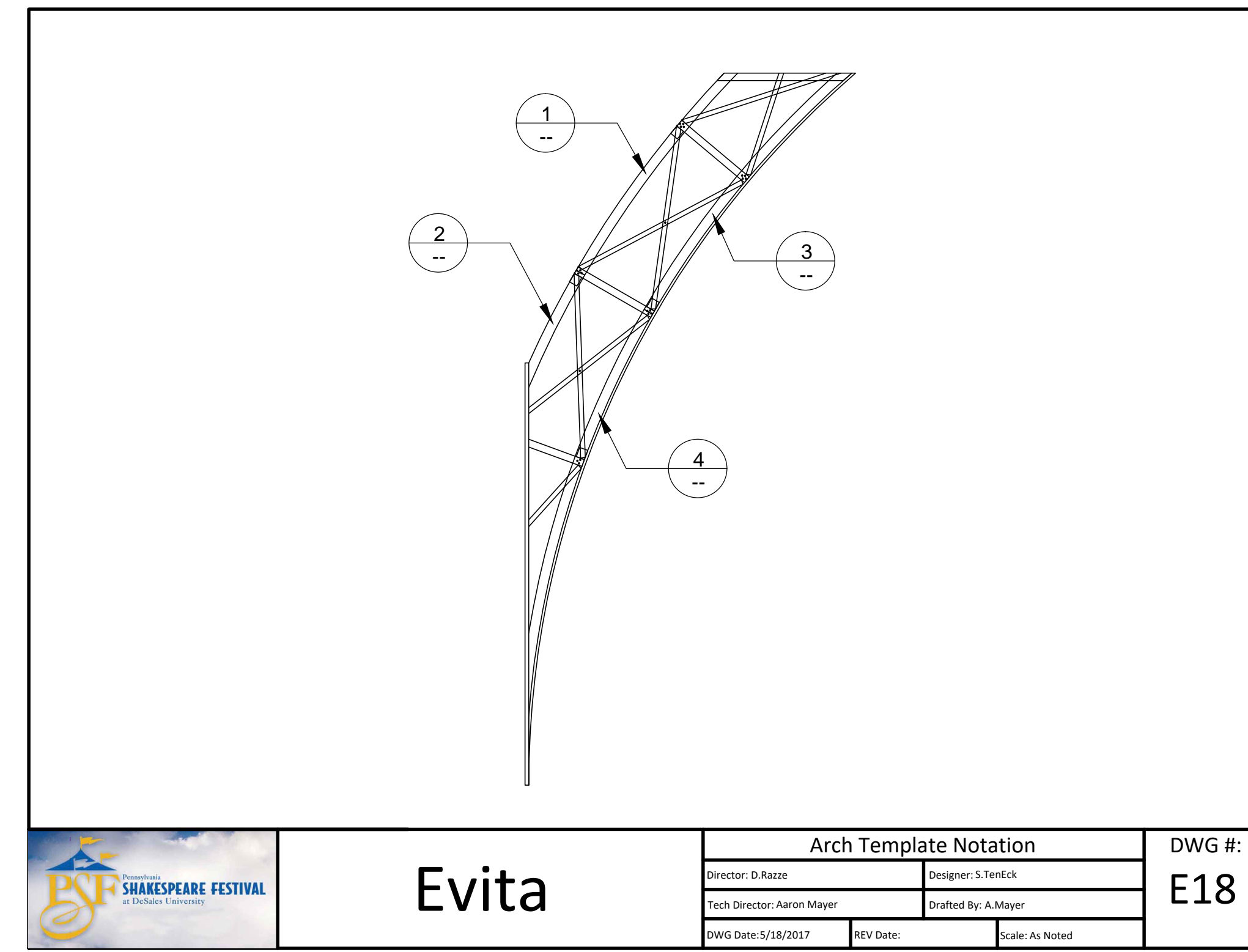
DWG Date: 5/17/2017

REV Date:

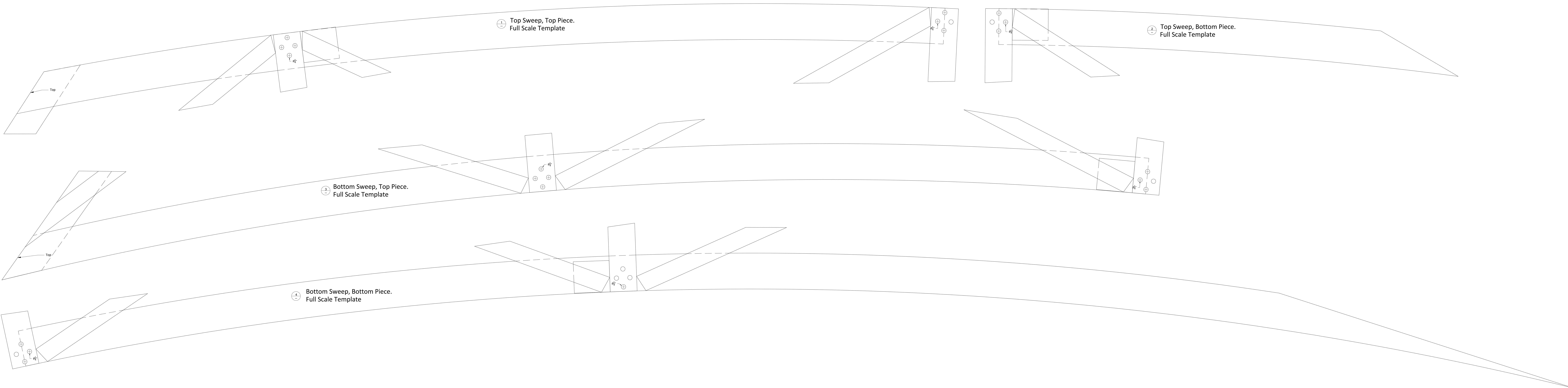
Scale: As Noted

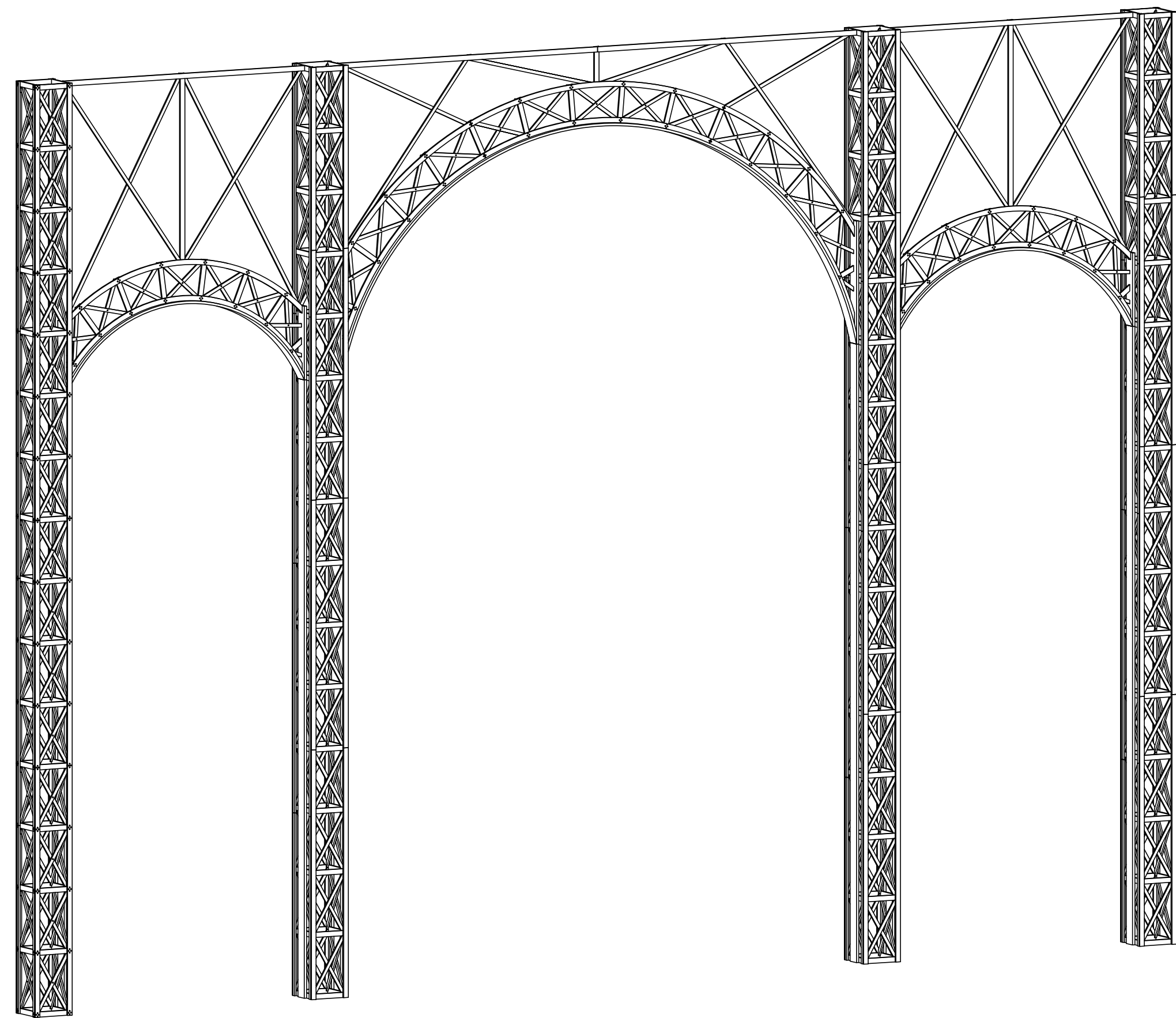
DWG #:

E17

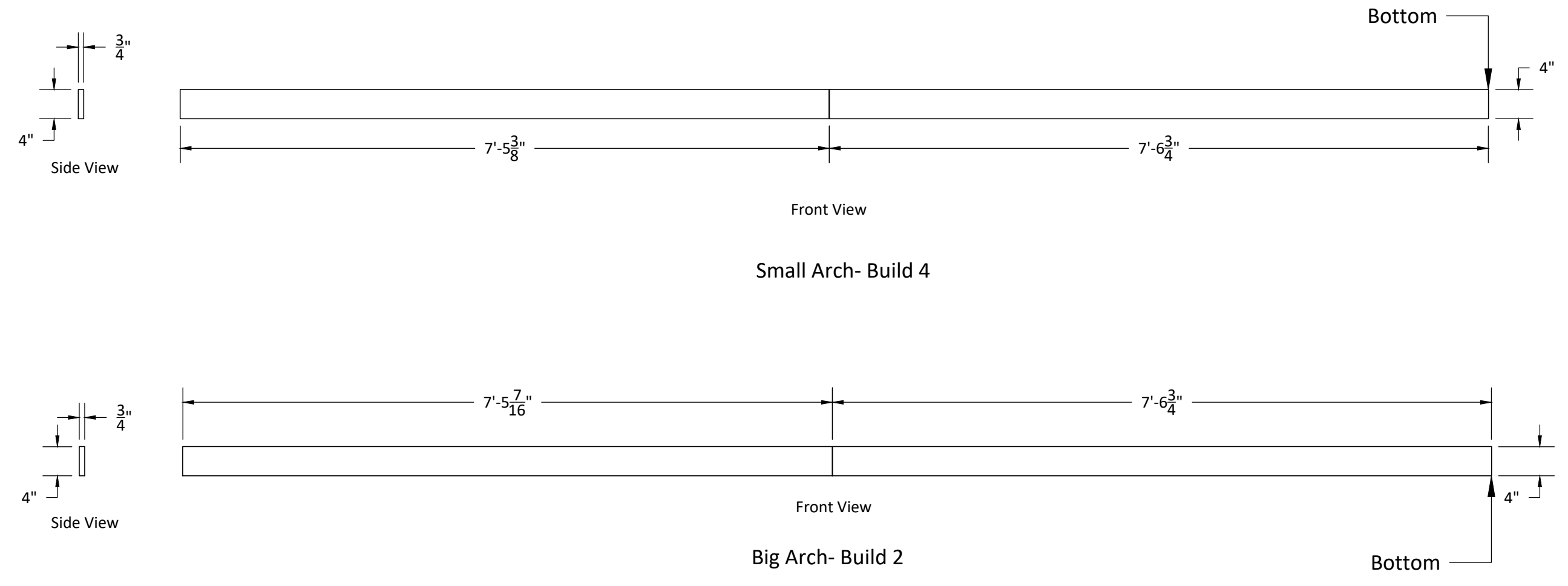


	Evita	Arch Template Notation		DWG #: E18
		Project Name:	Project Number:	
Date:	Scale:	Author:	Date:	

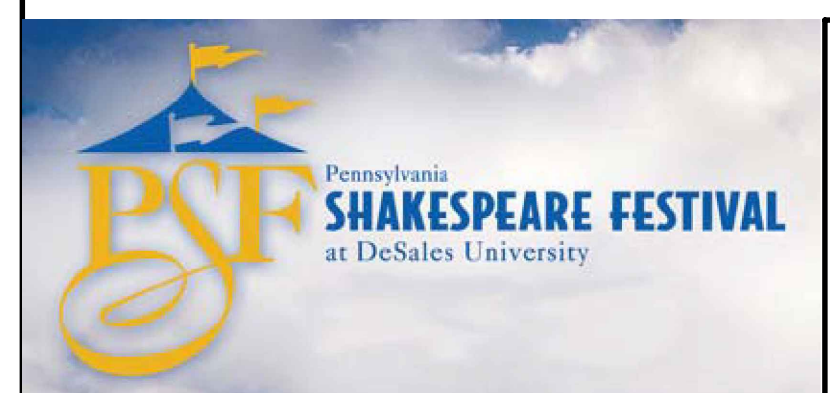
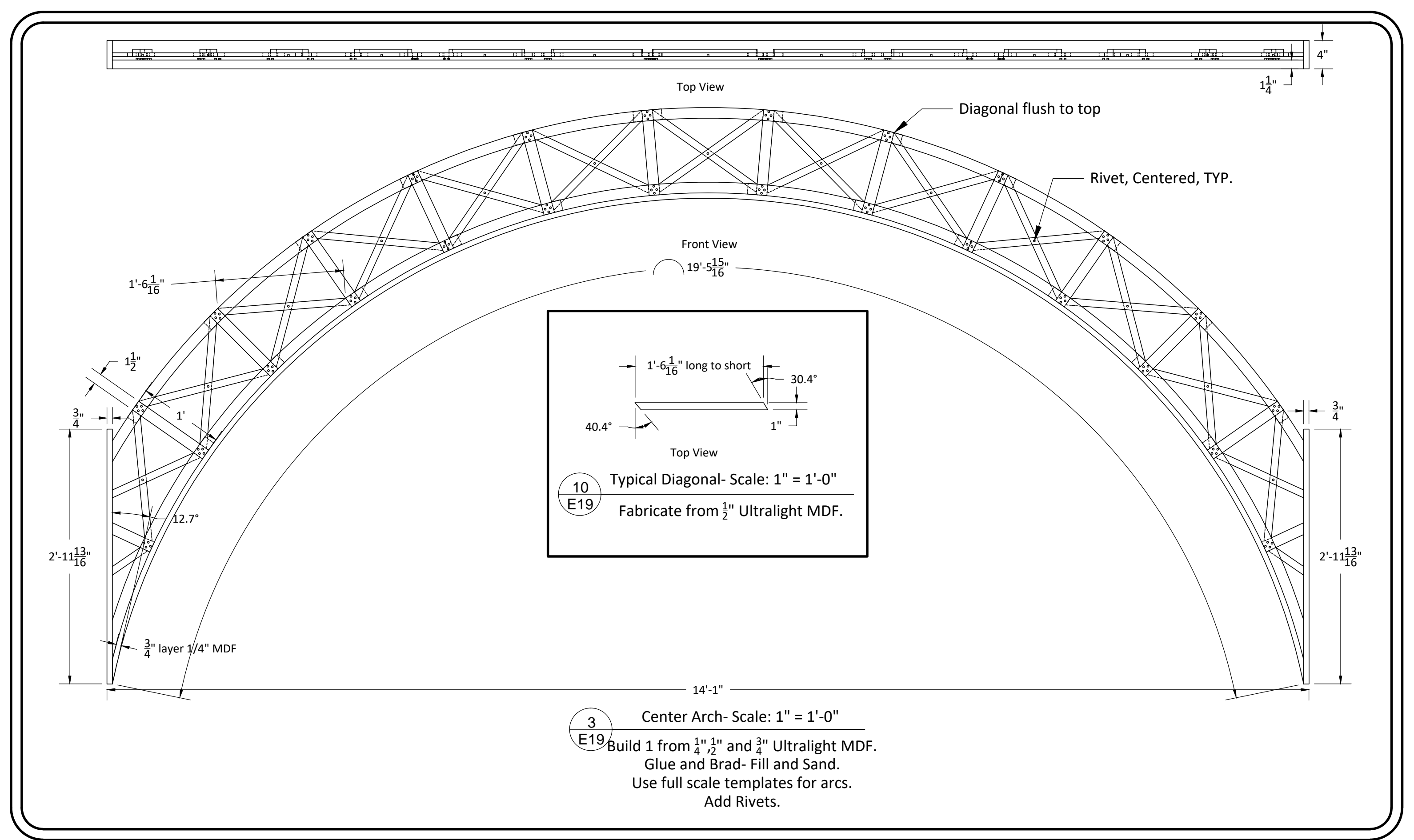
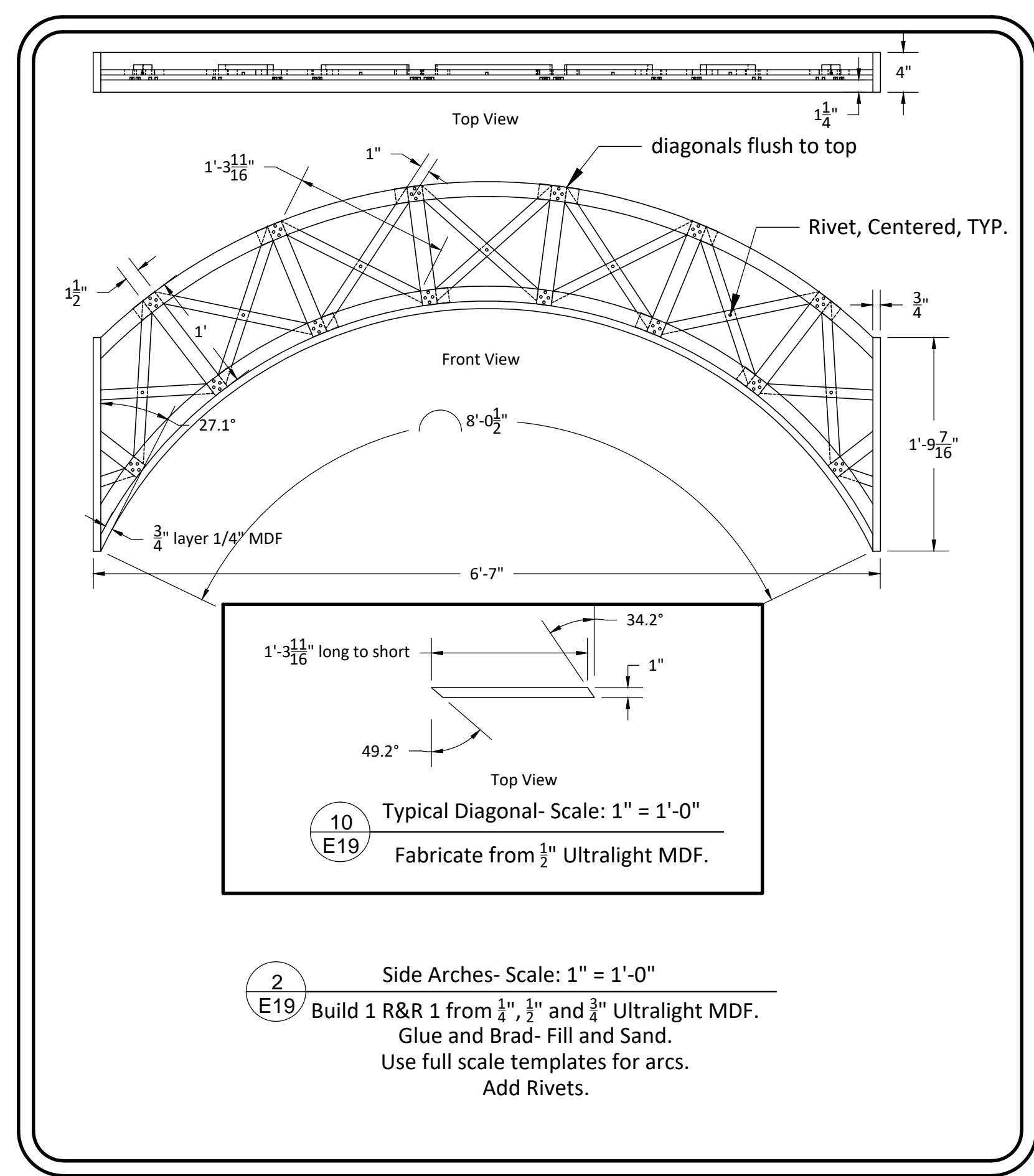




1
E19 Upstage Truss ISO



9
E17 Light Boards- Scale: $\frac{3}{4}$ " = 1'-0"
 Fabricate from $\frac{3}{4}$ " ultralight MDF.
 Wrap/Label/Store for later.

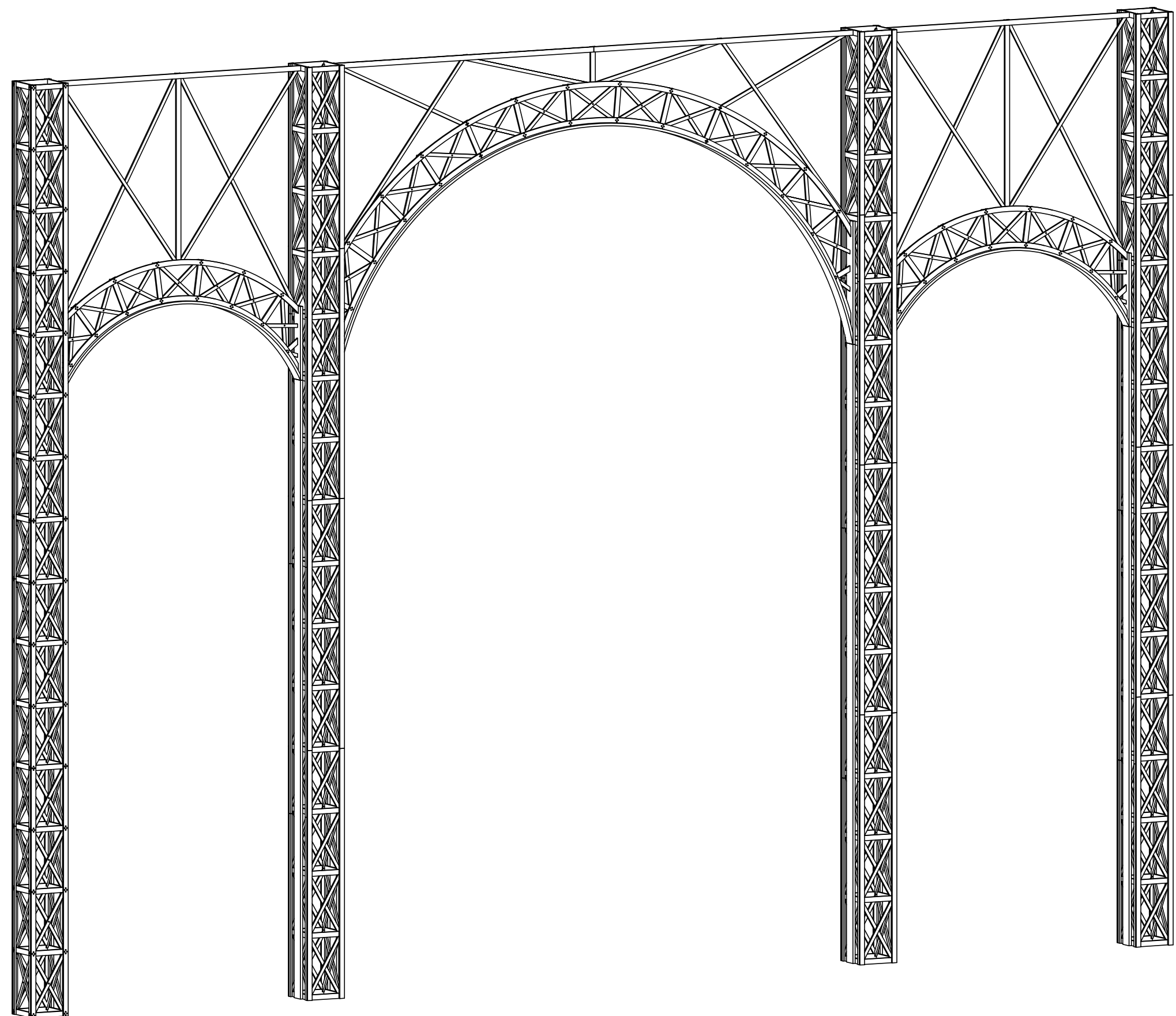


Evita

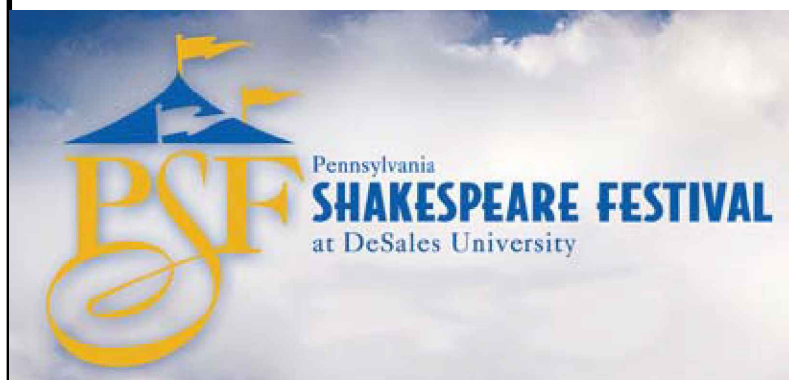
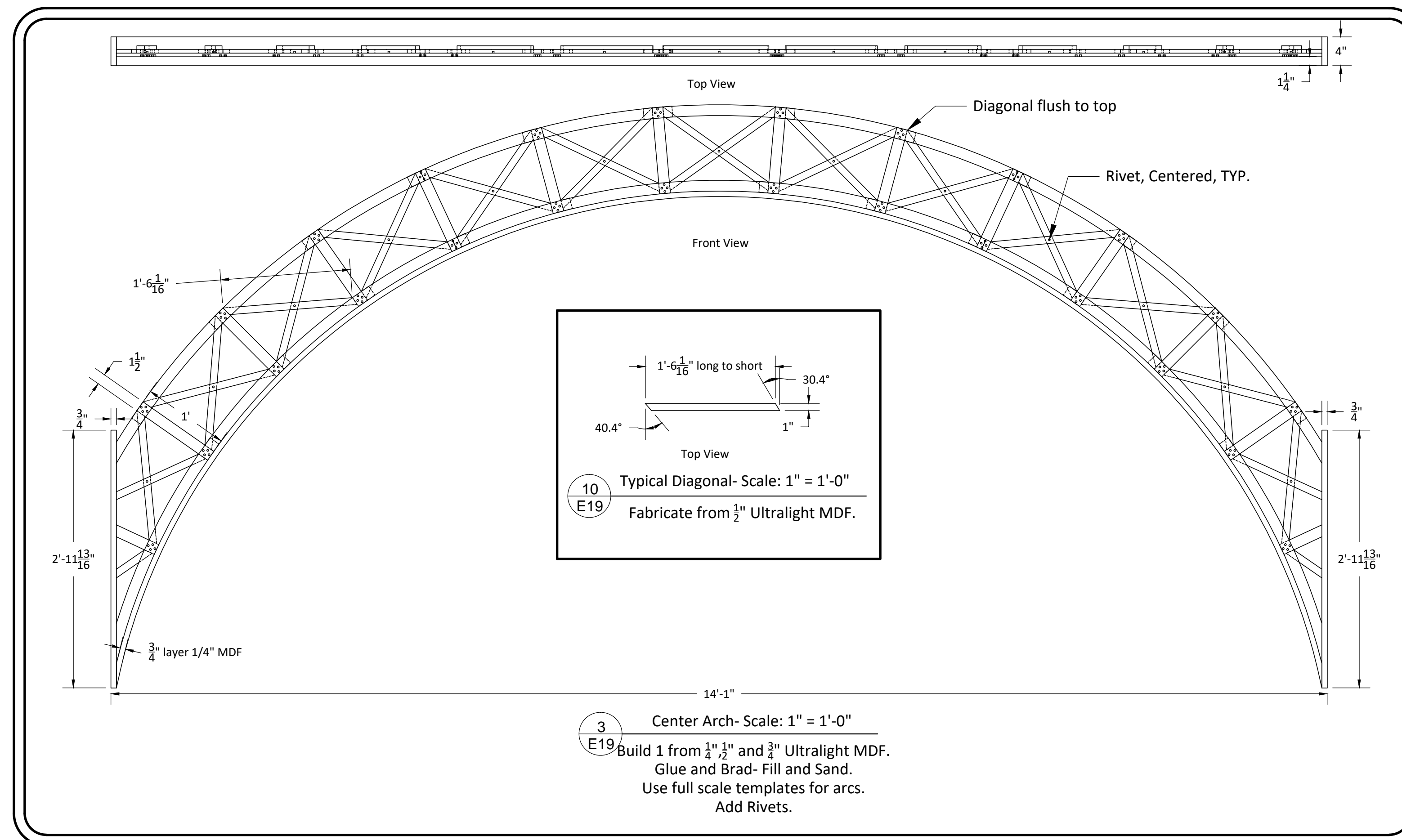
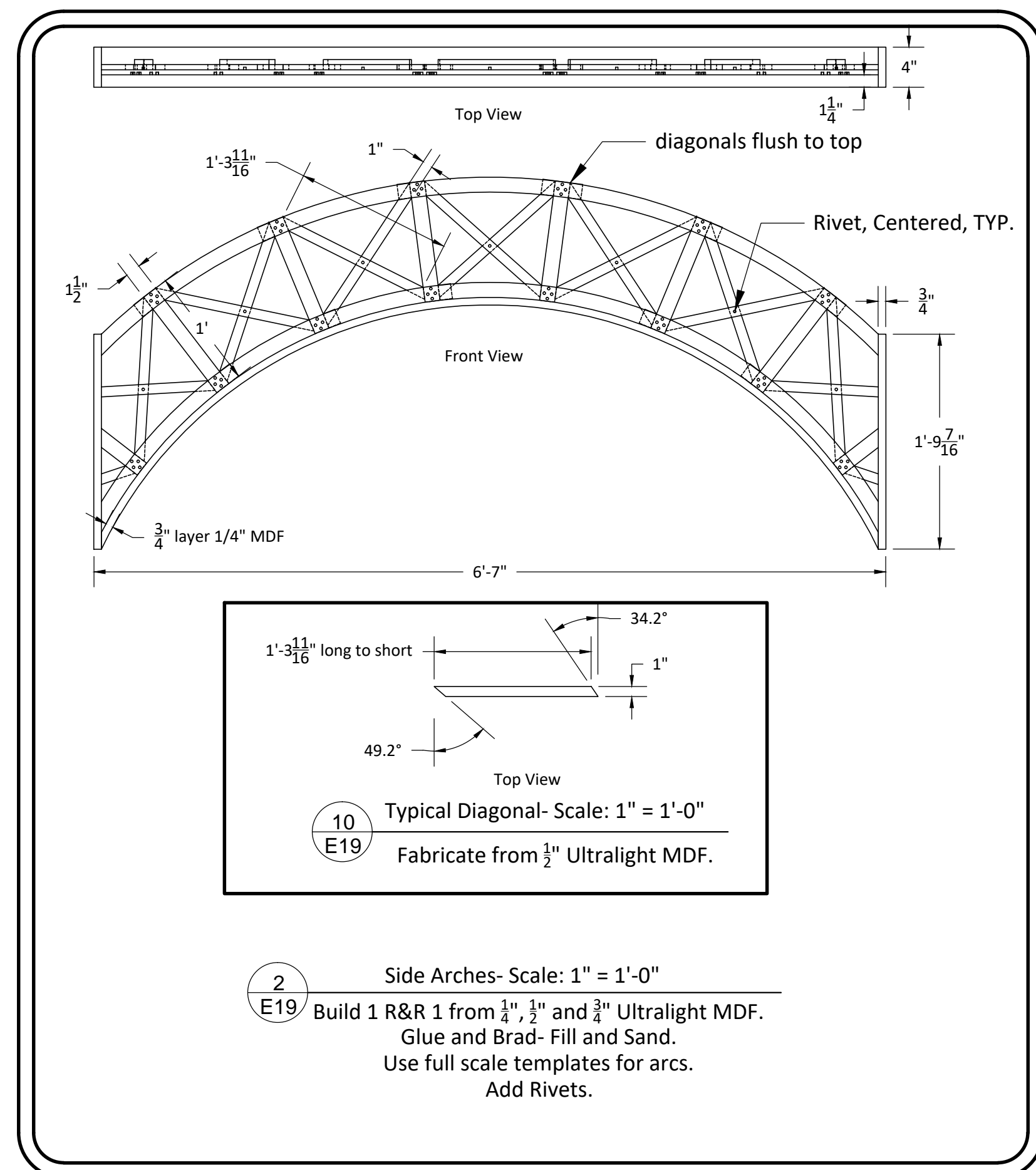
Upstage Truss Arches

Director: D.Razze	Designer: S.TenEyck
Tech Director: Aaron Mayer	Drafted By: A.Mayer
DWG Date: 5/21/2017	REV Date: 5/22/2017 V2 Scale: As Noted

DWG #:
E19



1
E19 Upstage Truss ISO



Evita

Upstage Truss Arches

Director: D.Razze

Designer: S.TenEyck

Tech Director: Aaron Mayer

Drafted By: A.Mayer

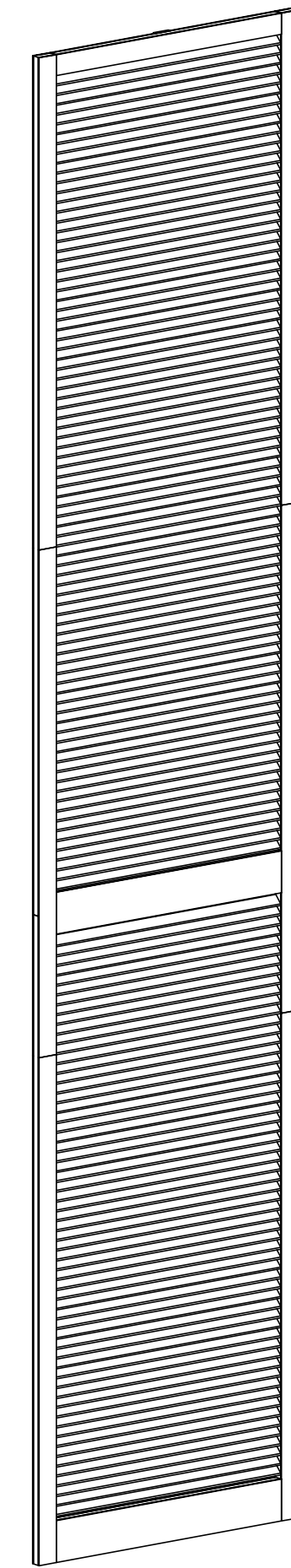
DWG Date: 5/21/2017

REV Date:

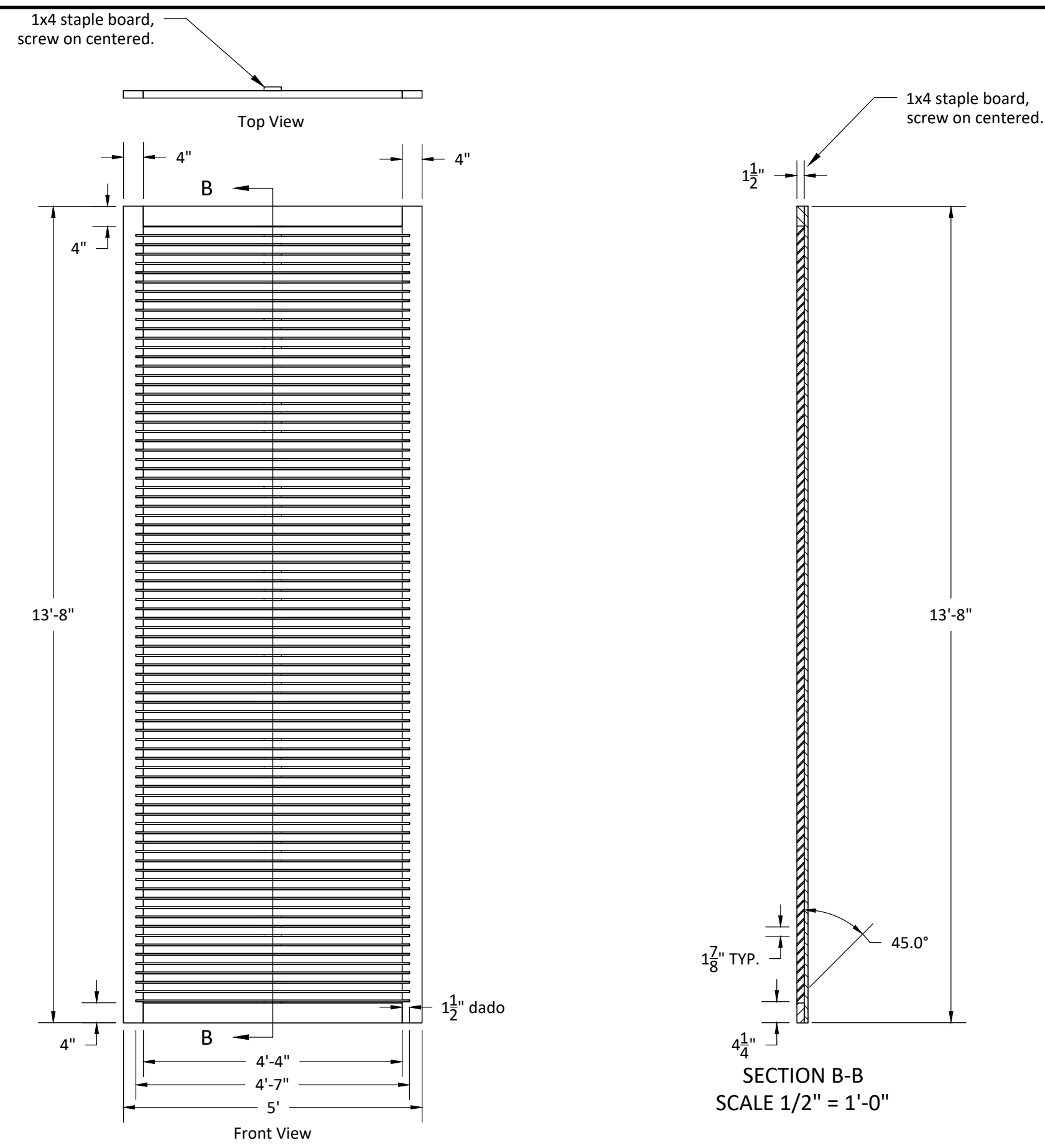
Scale: As Noted

DWG #:

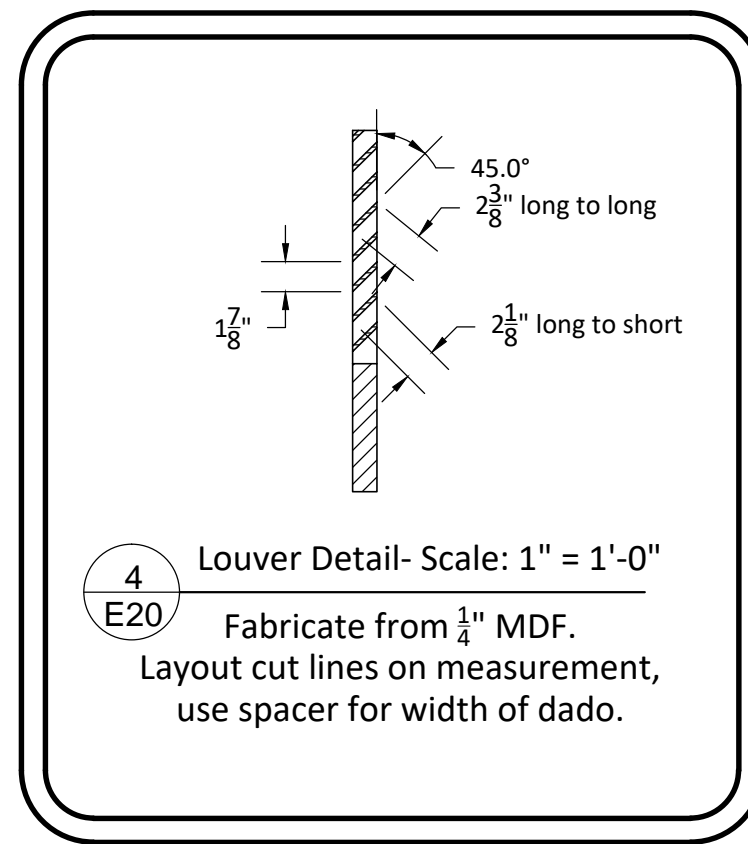
E19



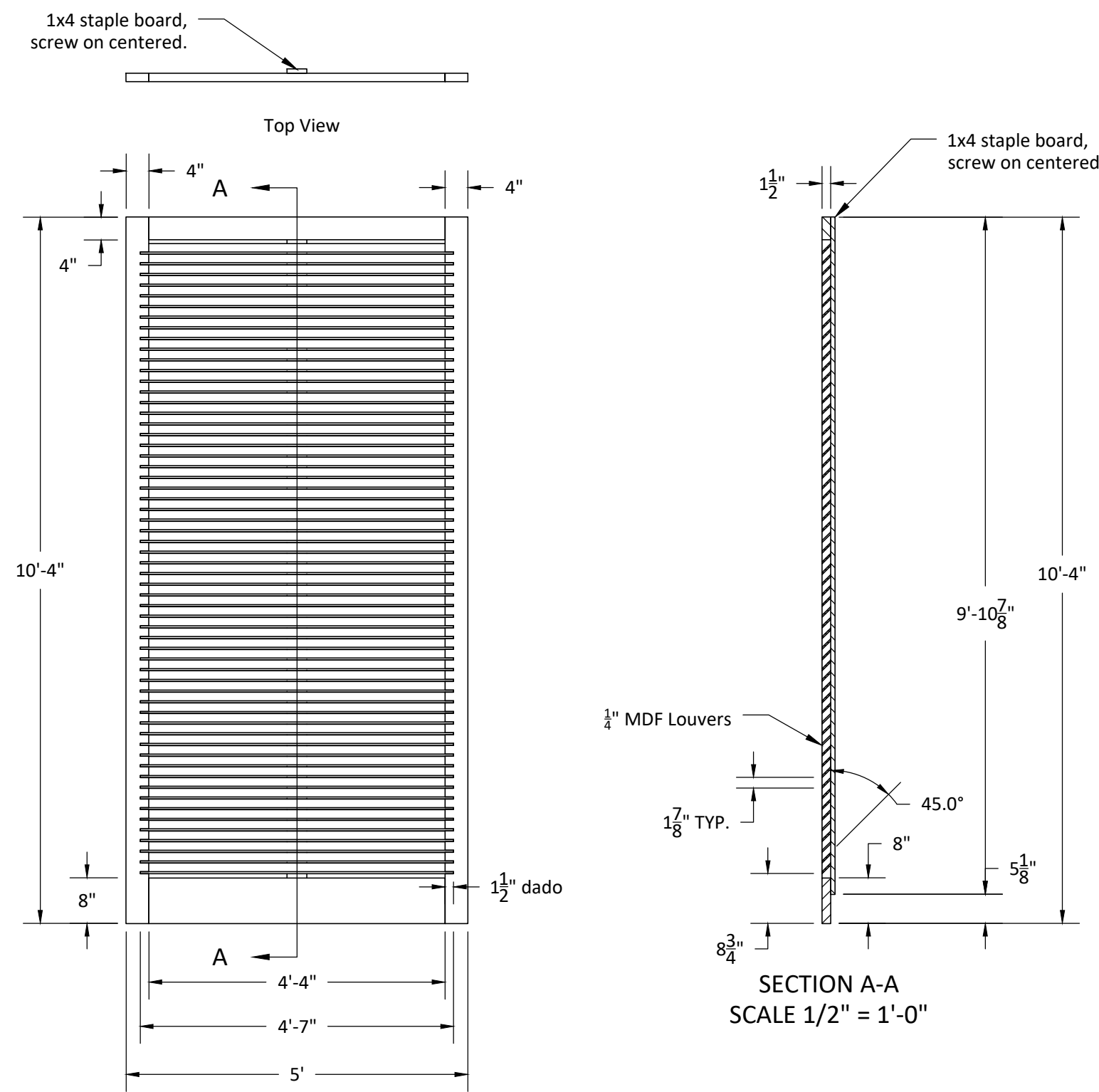
1 Slider Panel Iso
E20



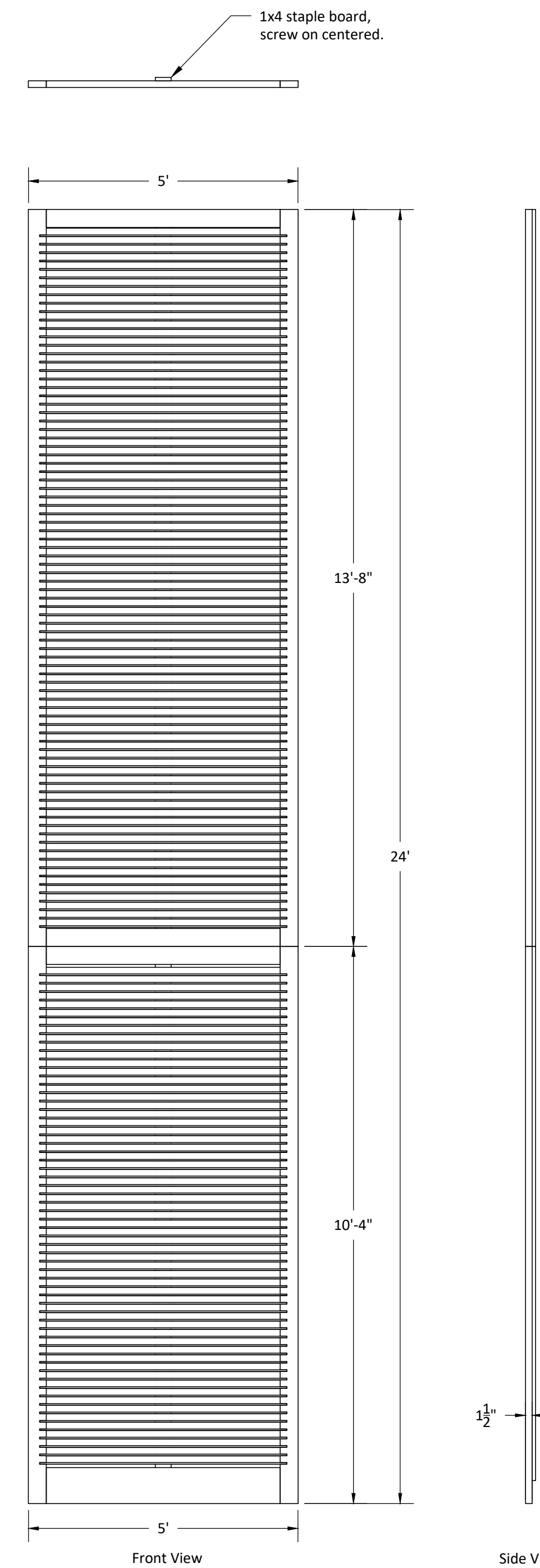
2 Top Section- Scale: $\frac{1}{2}'' = 1'-0''$
E20 Build 6 from 2x6, 1x4, and $\frac{1}{4}''$ MDF.
Rip 2x6 to all square edges, assemble kreg HD Screws.
Brad and glue louvers in dados and to backer board.



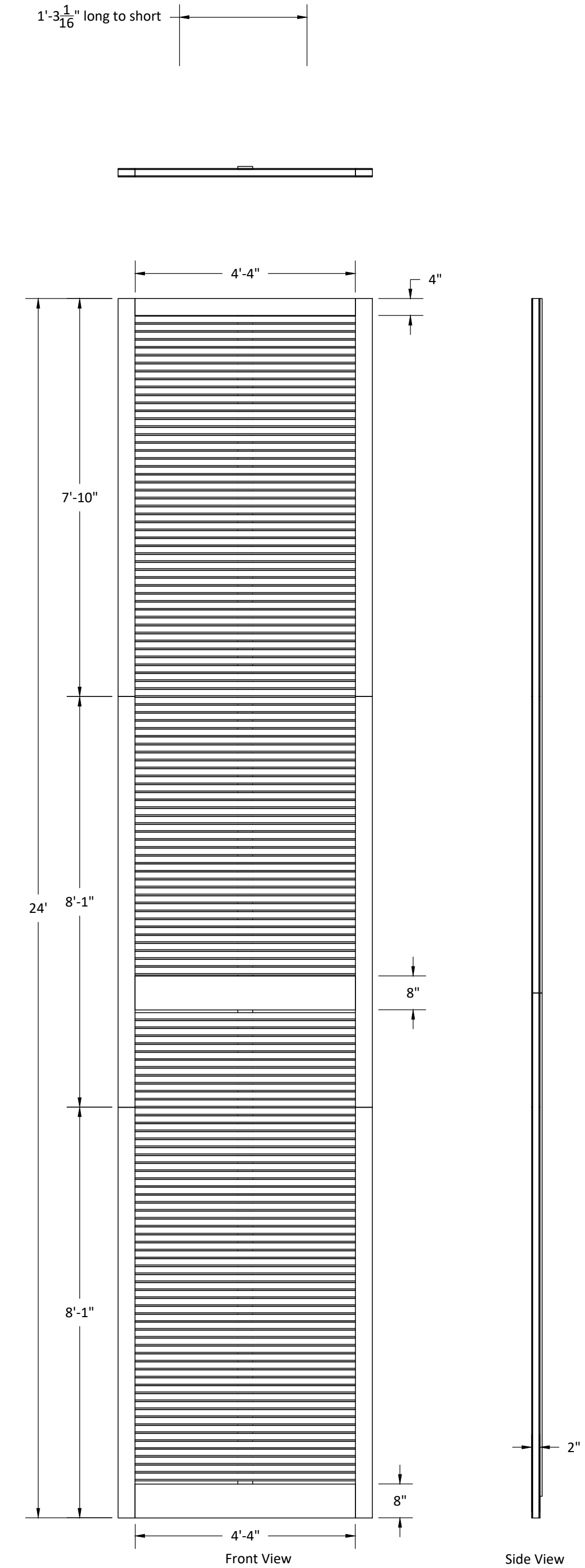
4 Louver Detail- Scale: $1'' = 1'-0''$
E20 Fabricate from $\frac{1}{4}''$ MDF.
Layout cut lines on measurement,
use spacer for width of dado.



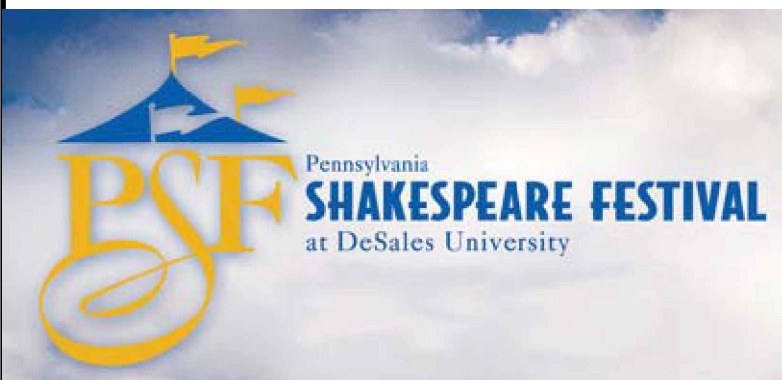
3 Bottom Section- Scale: $\frac{1}{2}'' = 1'-0''$
E20 Build 6 from 2x6, 1x4, and $\frac{1}{4}''$ MDF.
Rip 2x6 to all square edges, assemble kreg HD Screws.
Brad and glue louvers in dados and to backer board.



5 Section Assembly- Scale: $\frac{1}{2}'' = 1'-0''$
E20 Assemble sections with
kreg HD screws and glue.
Weigh panels before assembly.



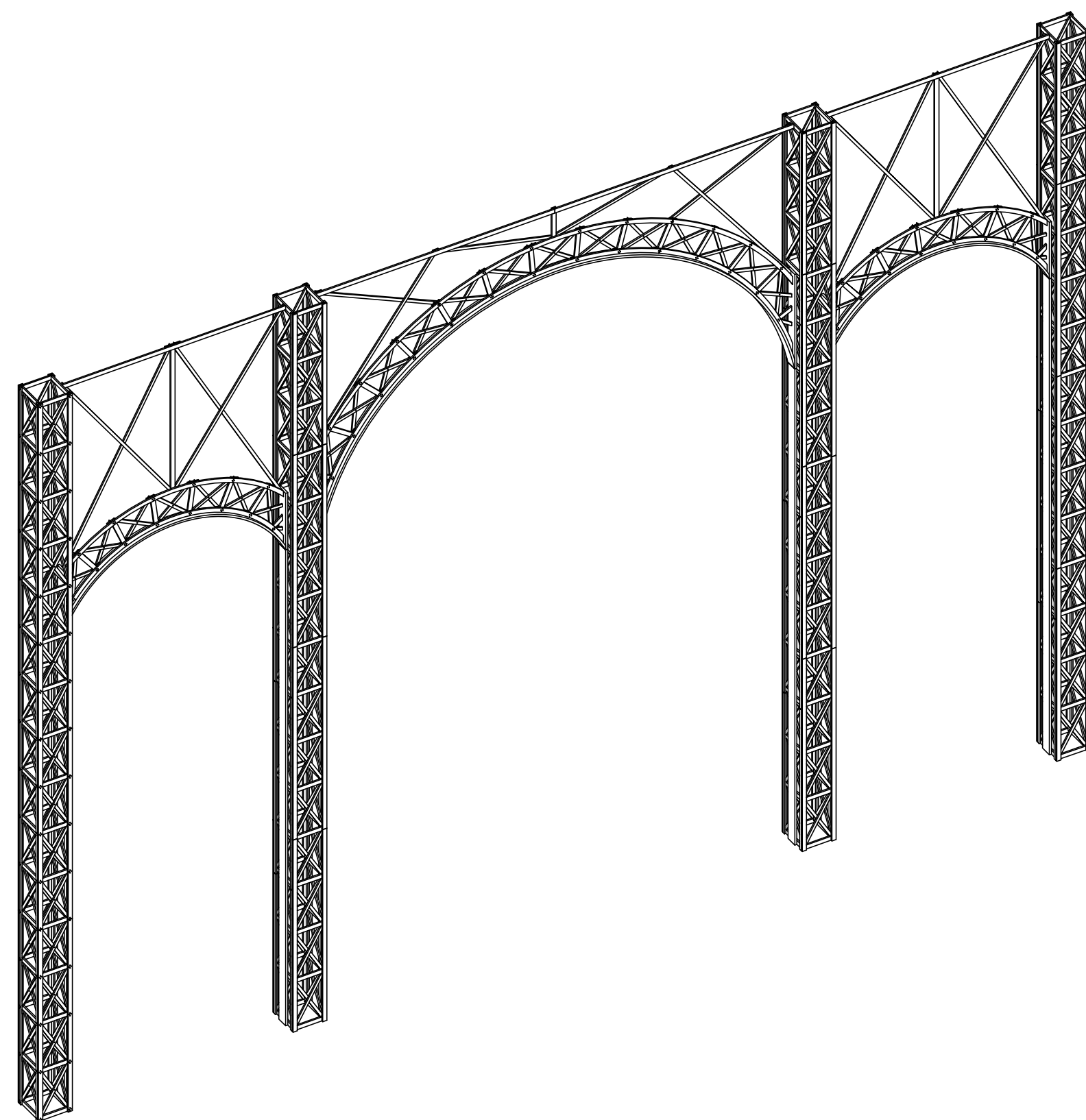
6 Skin- Scale: $\frac{1}{2}'' = 1'-0''$
E20 Skin units with $\frac{1}{4}''$ MDF as indicated.
Apply front and back, notch around backer board.



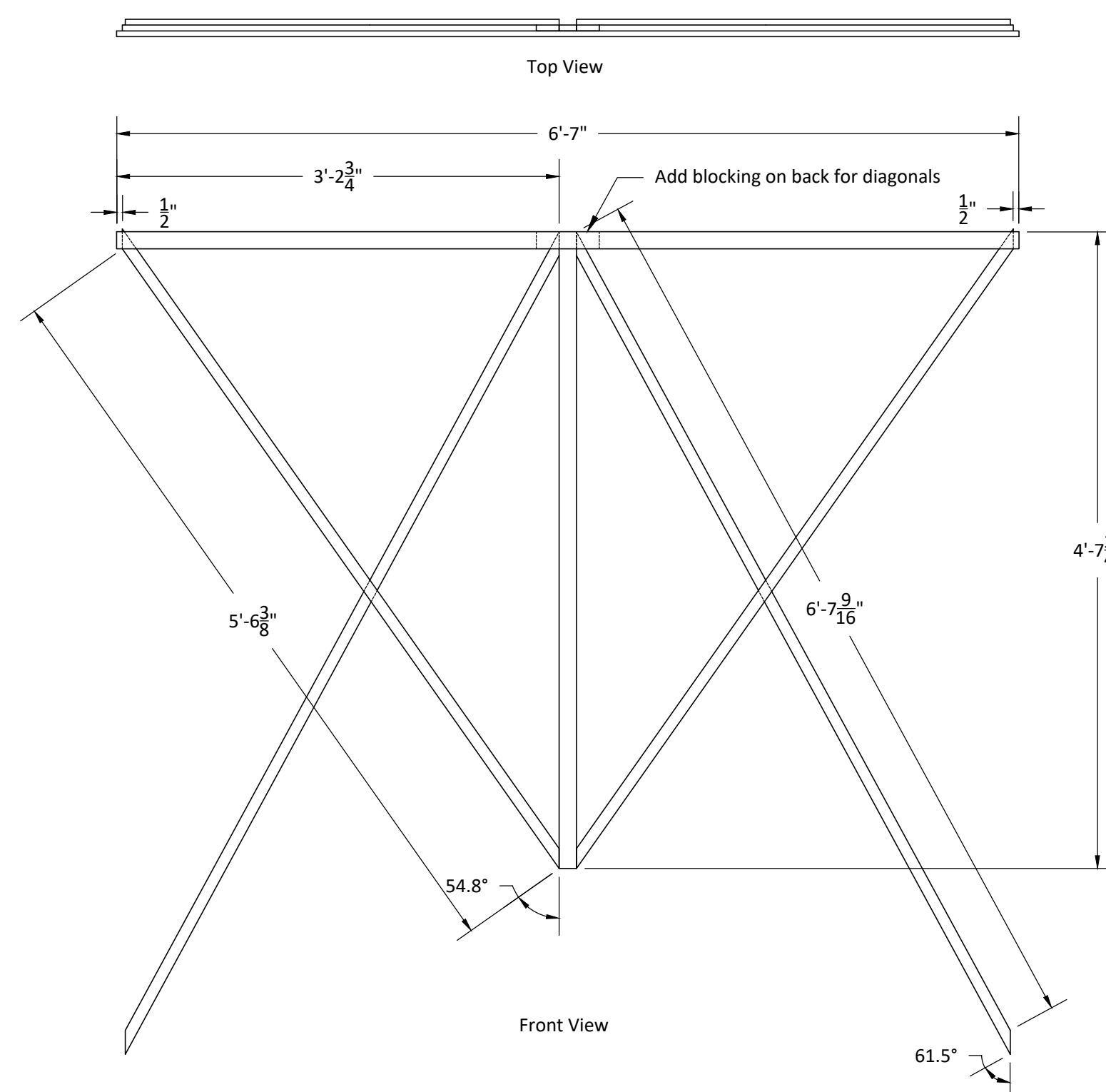
Evita

Slider Panels

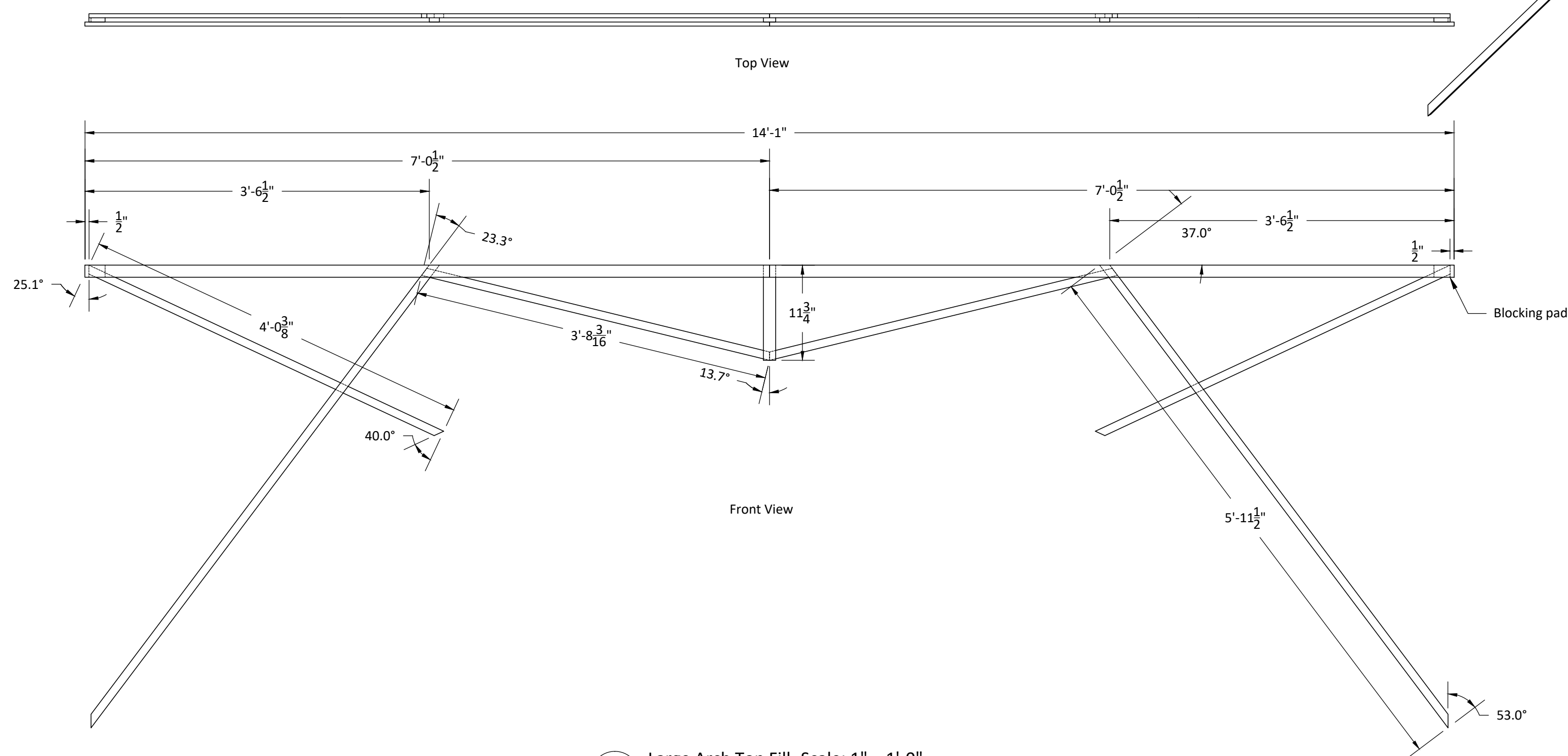
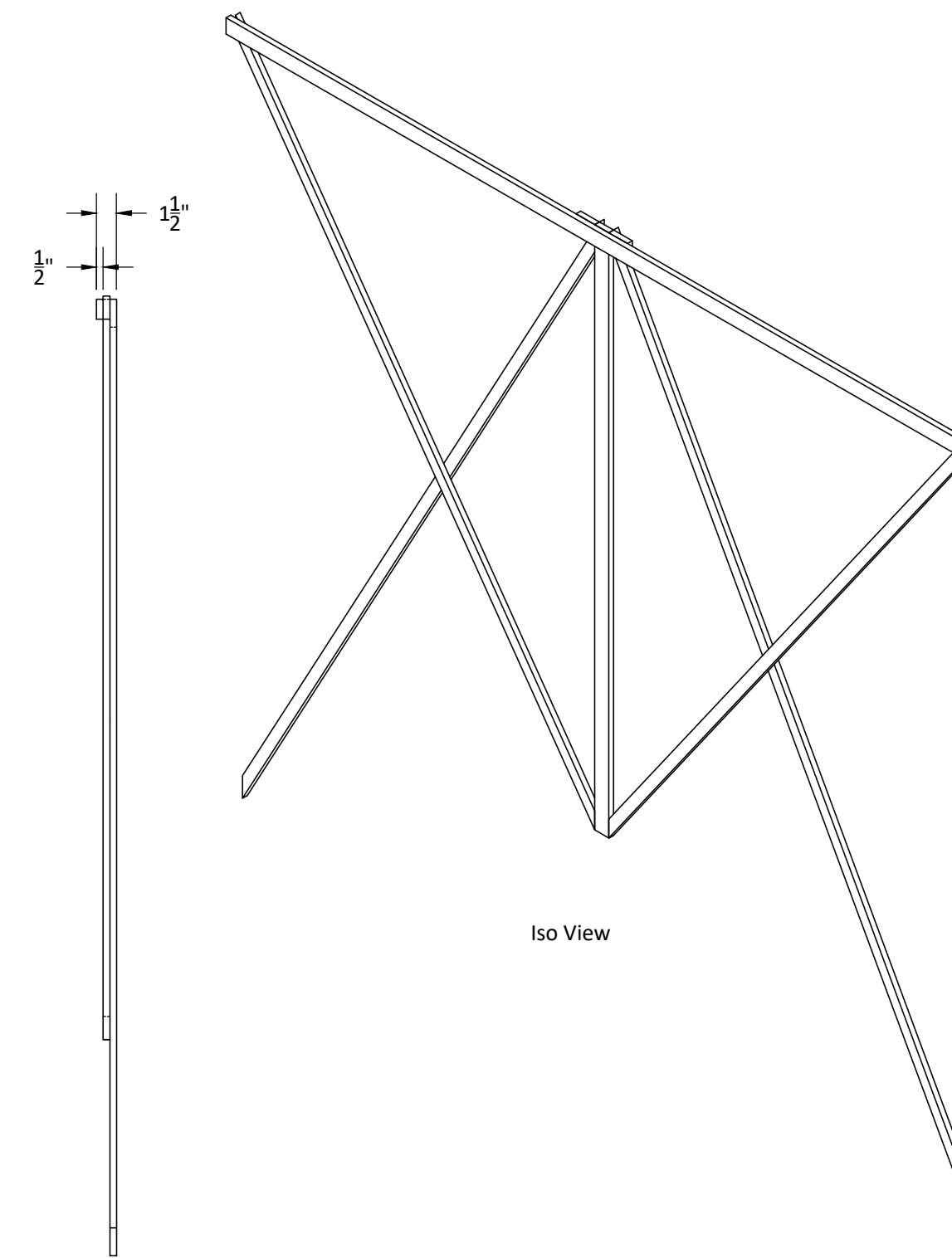
Director: D.Razze	Designer: S.TenEyck	DWG #: E20
Tech Director: Aaron Mayer	Drafted By: A.Mayer	
DWG Date: 5/22/2017	REV Date:	



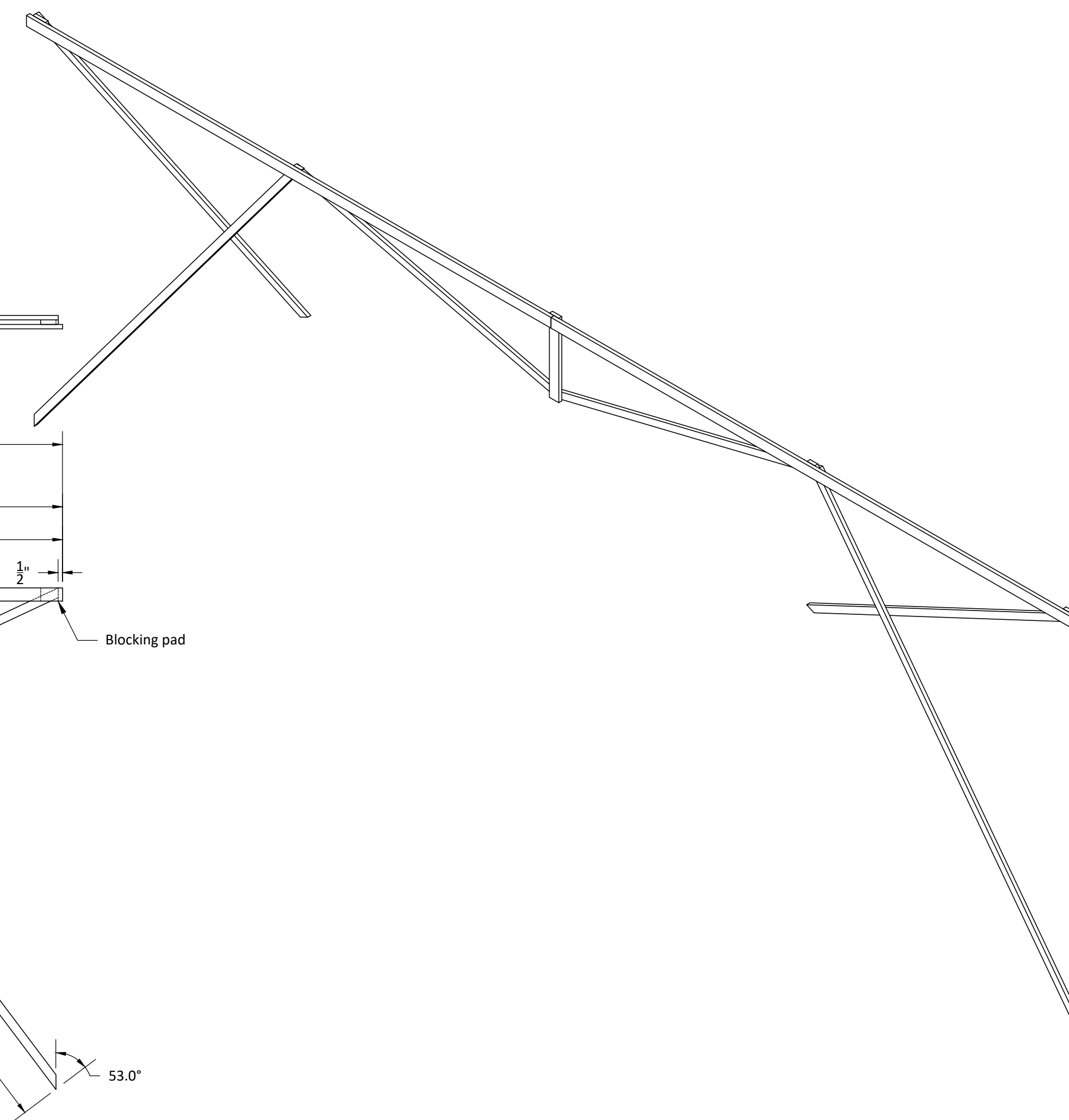
1
E21 Upstage Truss Iso

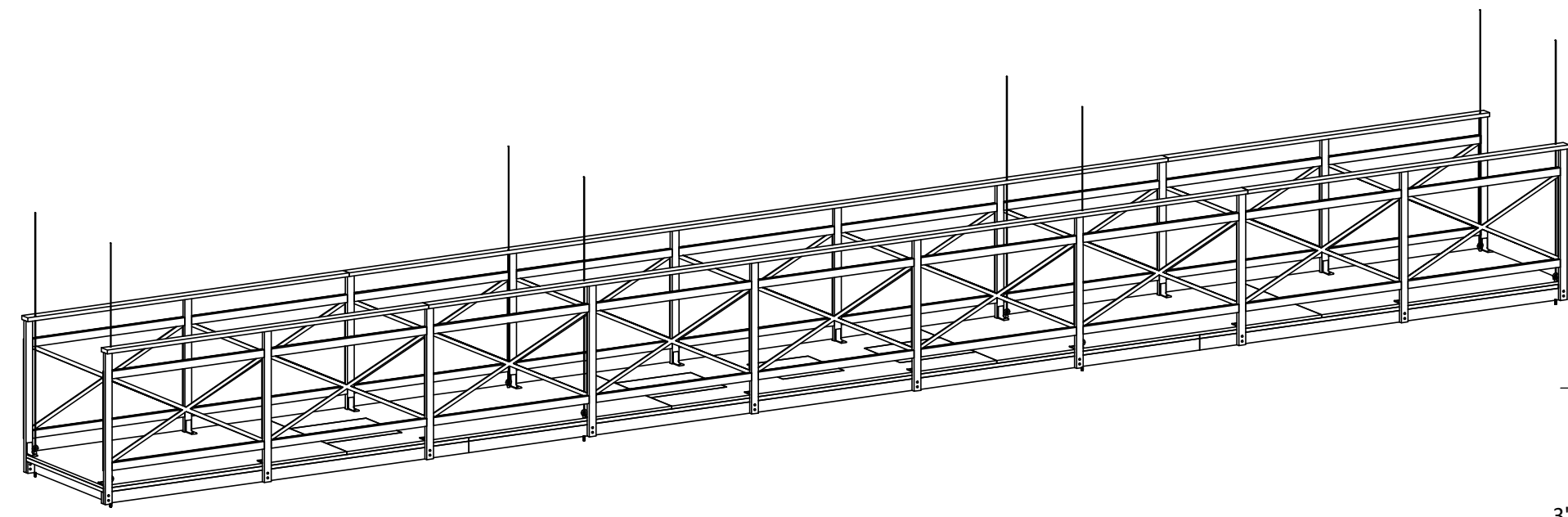


2
E21 Small Arch Top Fill- Scale: 1" = 1'-0"
Build 1, R&R 1 from 1/2" Ultralight MDF.
Glue and Brad.
Add scrap 1x on back for support until load in.

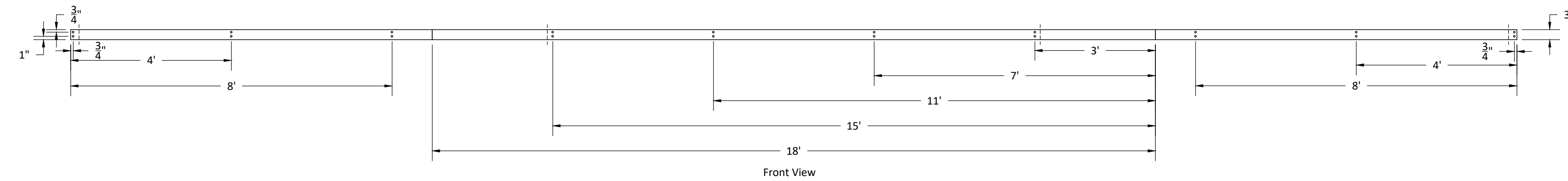
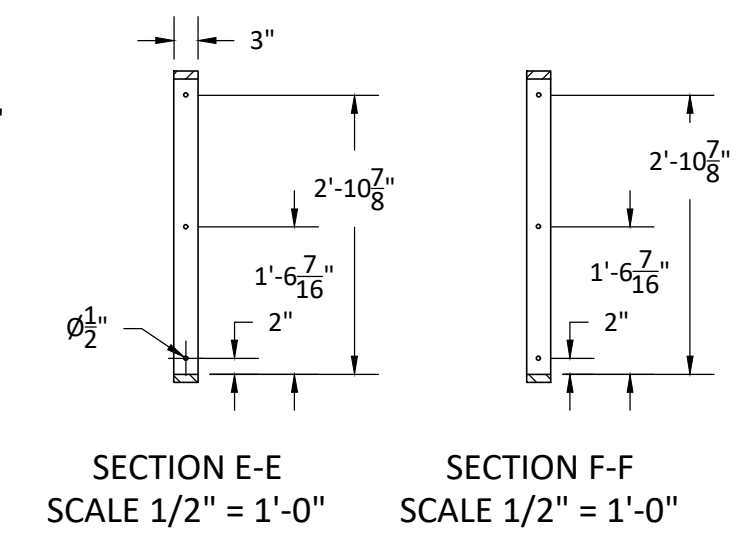
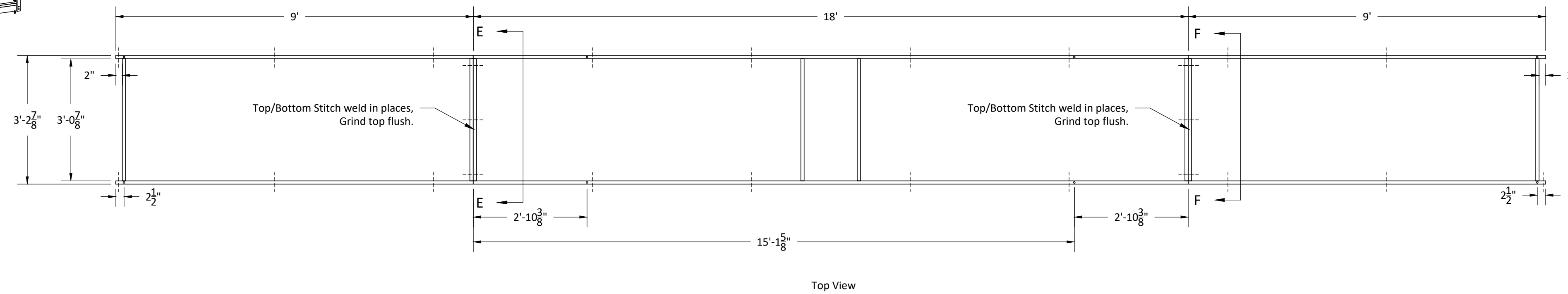


3
E21 Large Arch Top Fill- Scale: 1" = 1'-0"
Build 1 from 1/2" Ultralight MDF.
Glue and Brad.
Add scrap 1x on back for support until load in.



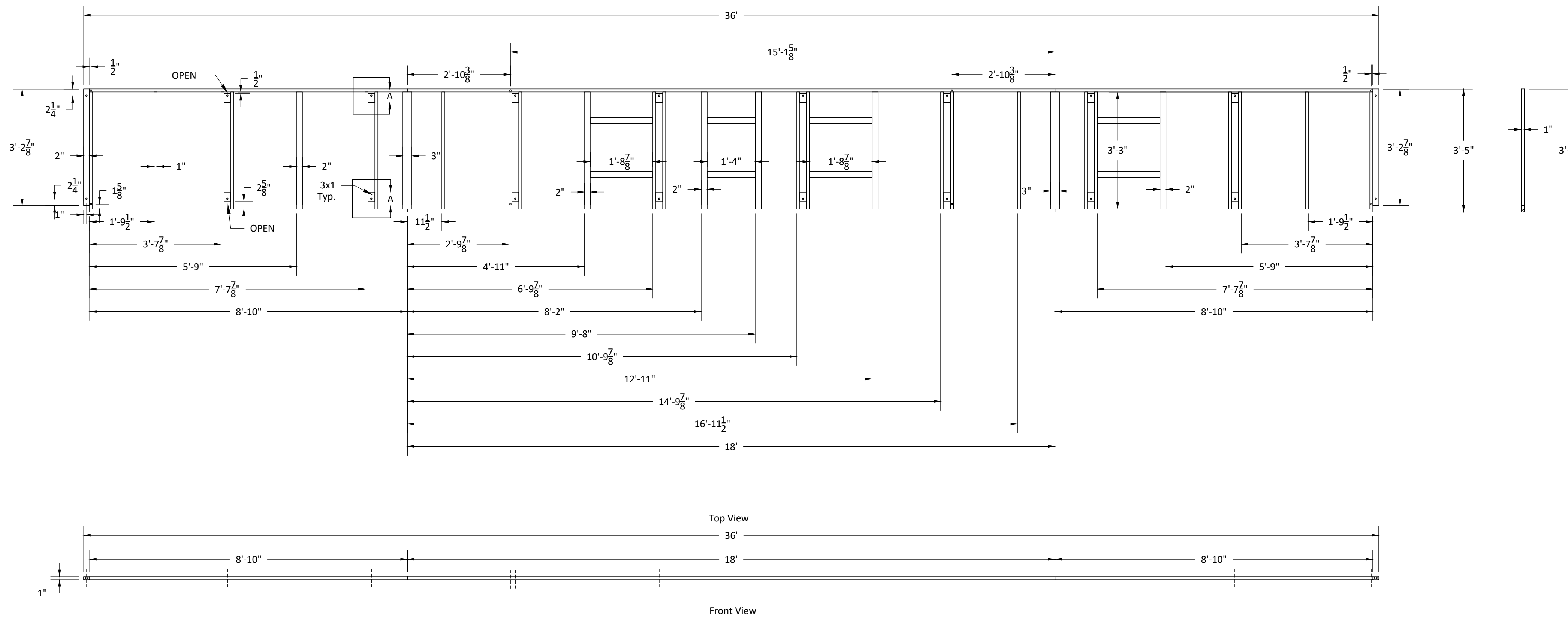


1 Bridge Iso
E22



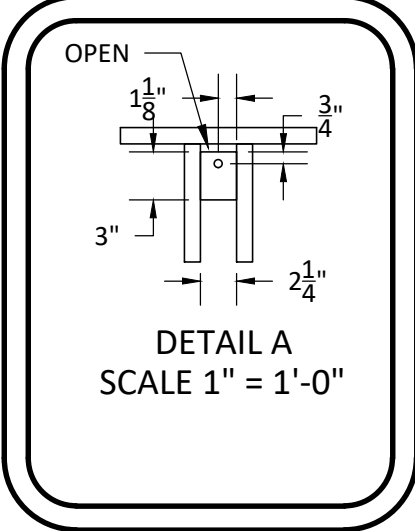
2 Girder Frame- Scale: 1/2" = 1'-0"
E22

Build 1 from 3x1 box tube.
Drill holes- All holes are 1/2" Diameter,
All holes are centered on member unless otherwise dimensioned.
Weld all the way around and stitch frames together at center.
Grind top flush.



3 Deck Frame- Scale: 1/2" = 1'-0"
E22

Build 1 from 1x1, 2x1, and 3x1 box tube.
Drill holes- All holes are 1/2" Diameter.
All holes are centered on member unless otherwise dimensioned.
Weld all the way around.
Grind top flush.

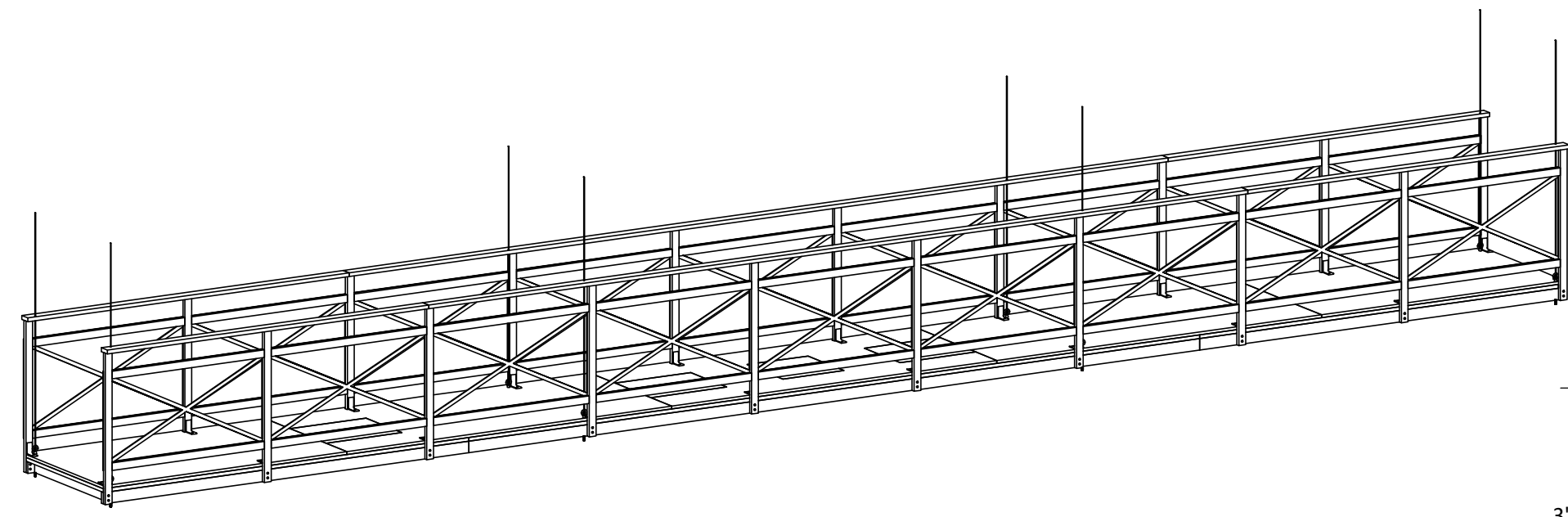


Evita

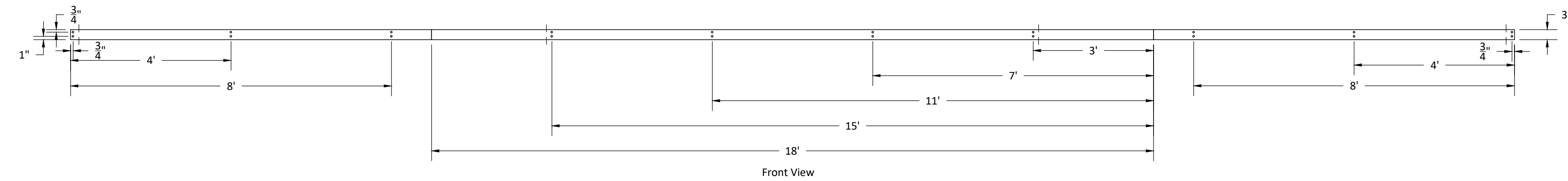
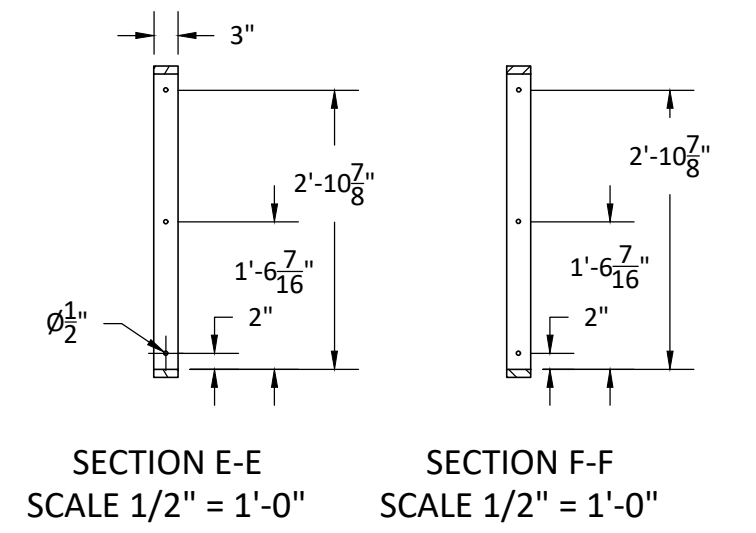
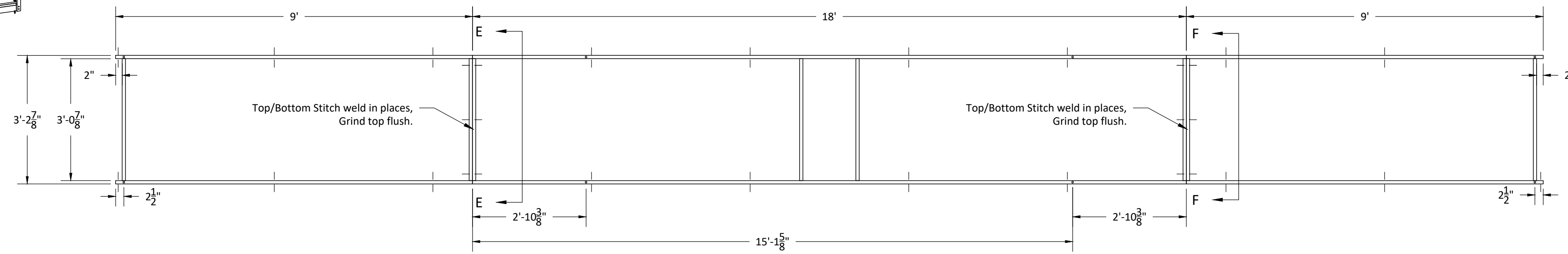
Bridge 1: Girder and Deck Frame

Director: D.Razze	Designer: S.TenEyck
Tech Director: Aaron Mayer	Drafted By: A.Mayer
DWG Date: 5/24/2017	REV Date: 5/24/2017
Scale: As Noted	

DWG #:
E22

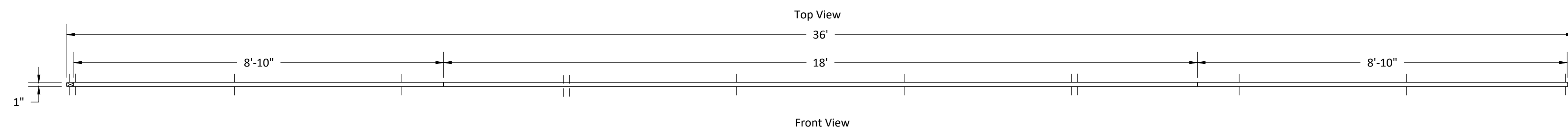
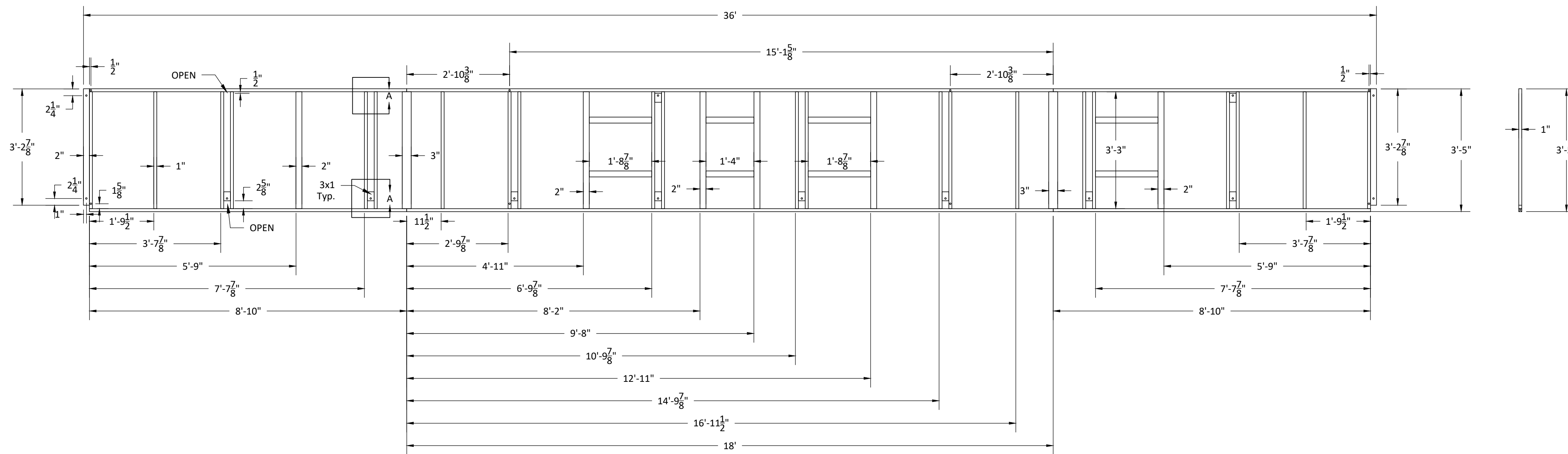


1 Bridge Iso
E22



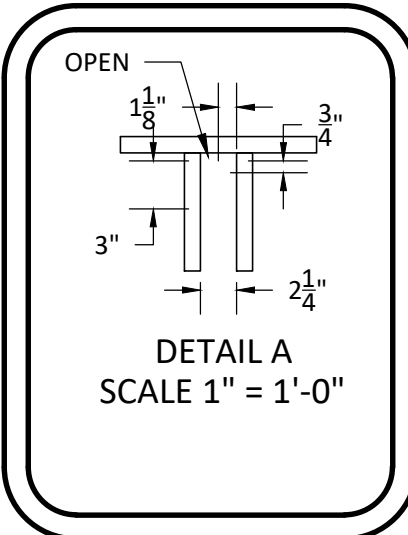
2 Girder Frame- Scale: 1/2" = 1'-0"
E22

Build 1 from 3x1 box tube.
Drill holes- All holes are 1/2" Diameter,
All holes are centered on member unless otherwise dimensioned.
Weld all the way around and stitch frames together at center.
Grind top flush.



3 Deck Frame- Scale: 1/2" = 1'-0"
E22

Build 1 from 1x1, 2x1, and 3x1 box tube.
Drill holes- All holes are 1/2" Diameter.
All holes are centered on member unless otherwise dimensioned.
Weld all the way around.
Grind top flush.



Evita

Bridge 1: Girder and Deck Frame

Director: D.Razze

Designer: S.TenEyck

Tech Director: Aaron Mayer

Drafted By: A.Mayer

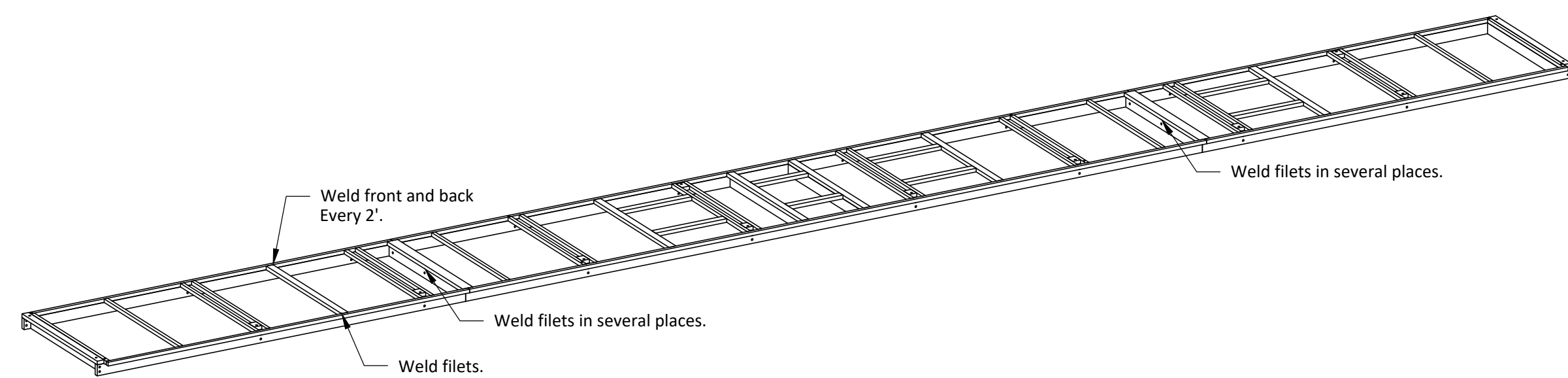
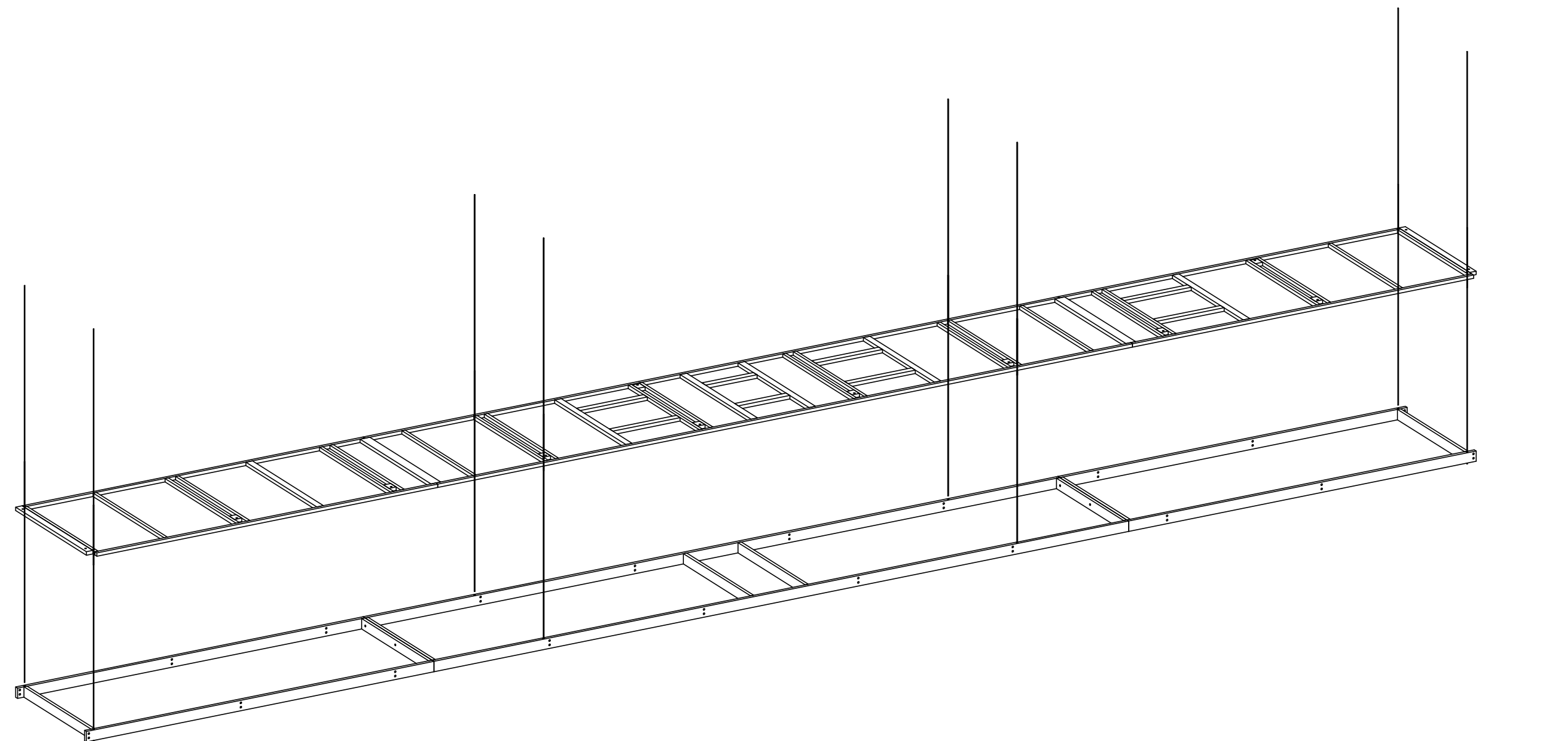
DWG Date: 5/24/2017

REV Date: 5/24/2017

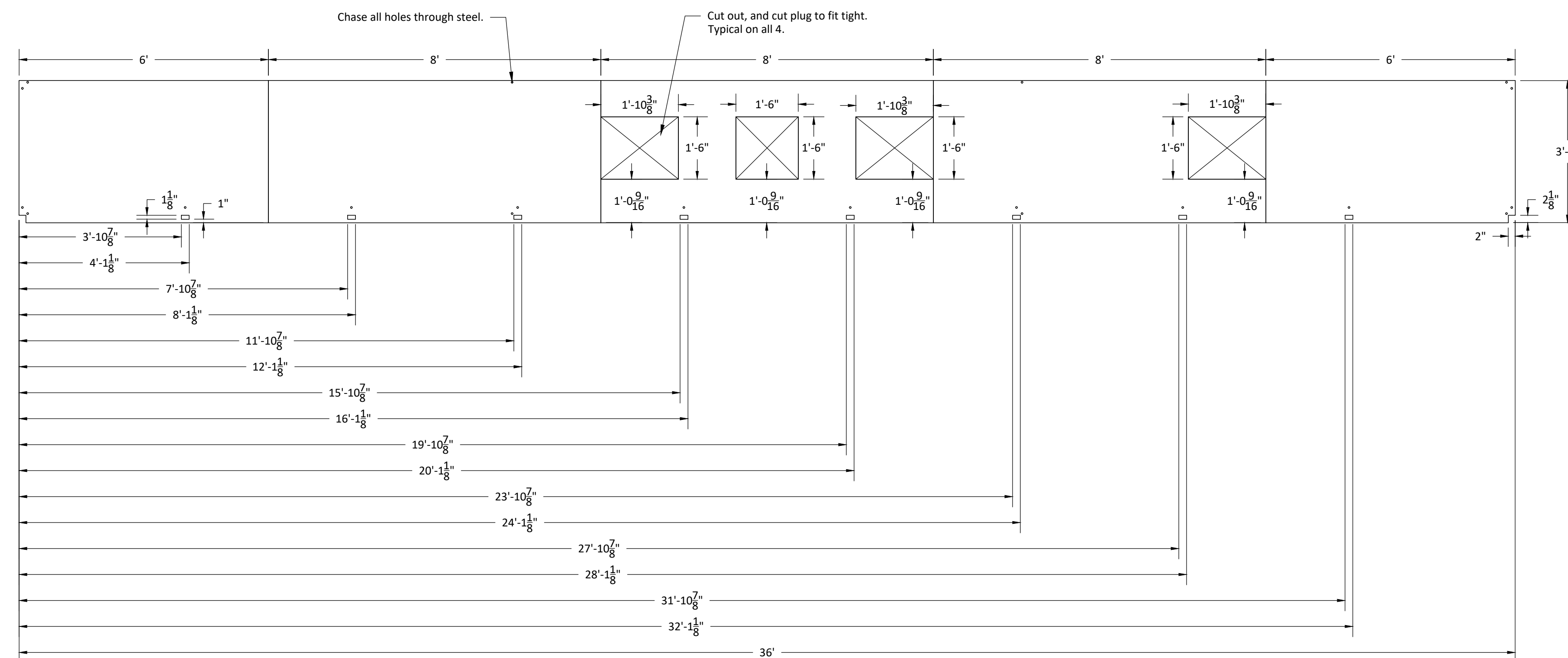
Scale: As Noted

DWG #:

E22

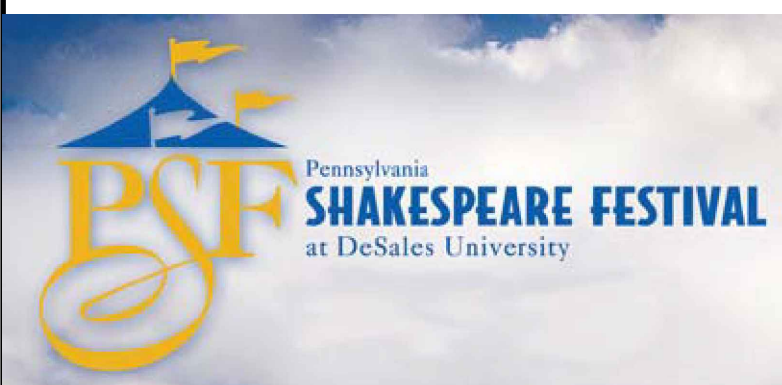


1 Steel Frame Assembly- Scale: $\frac{3}{8}'' = 1'-0''$
E23 Weld frames together.



Top View

2 Plywood Decking- Scale: $\frac{1}{2}'' = 1'-0''$
E23 Attach plywood with buildex tek screws.
Glue with construction adhesive.
Cut/Chase holes as indicated.



Evita

Bridge 2: Steel frame assembly and plywood deck

Director: D.Razze

Designer: S.TenEyck

Tech Director: Aaron Mayer

Drafted By: A.Mayer

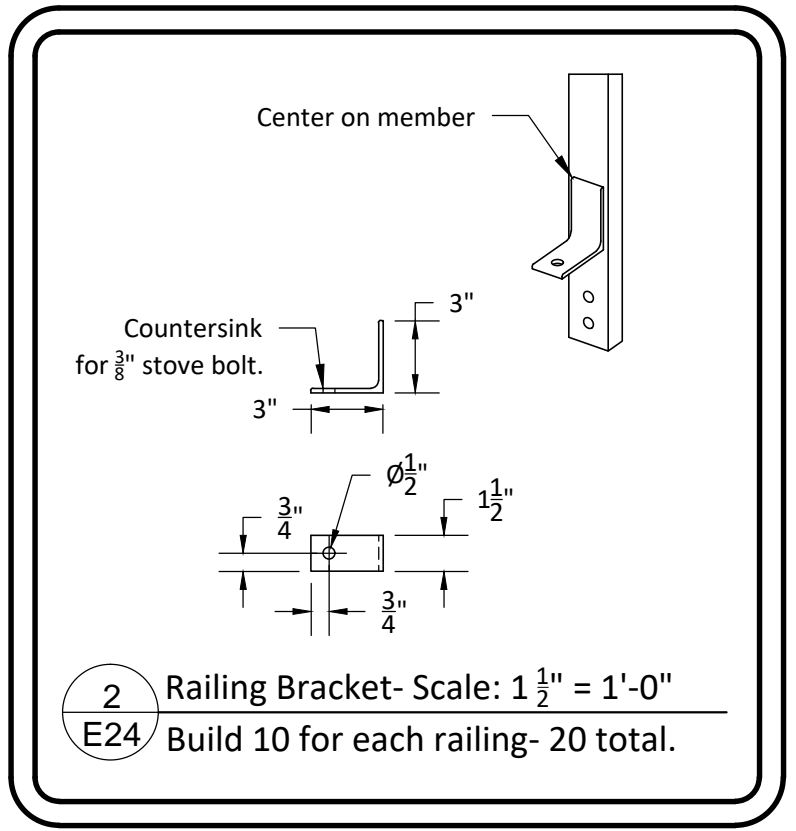
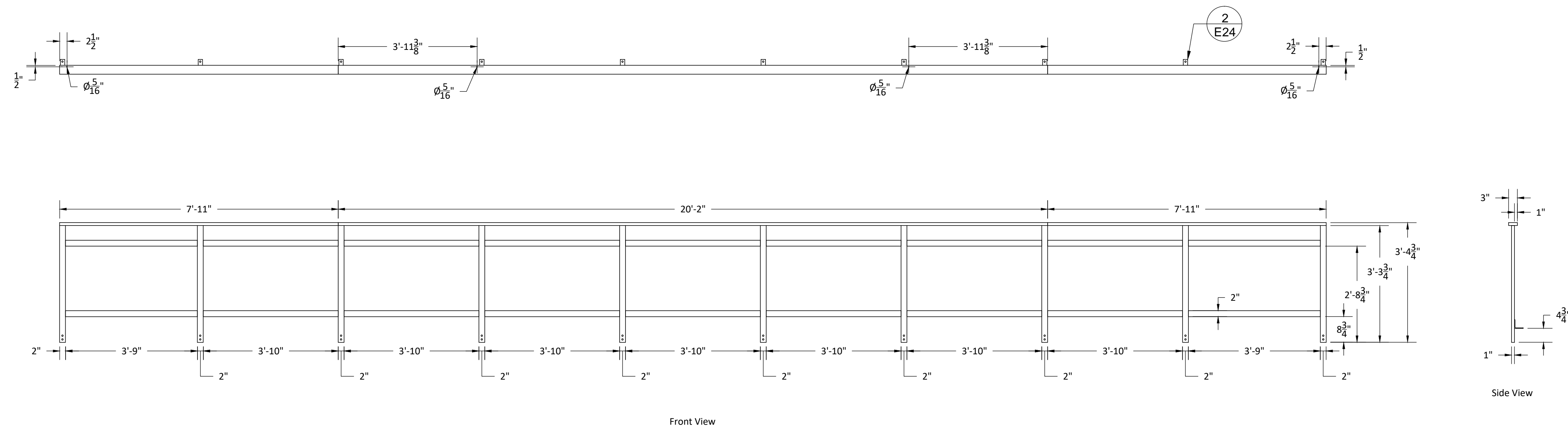
DWG Date: 5/24/2017

REV Date:

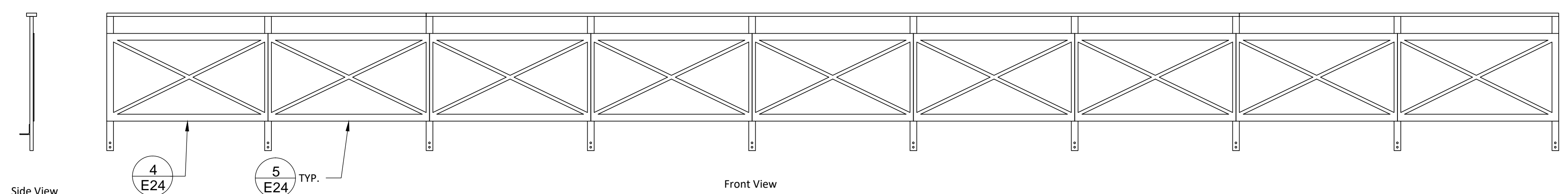
Scale: As Noted

DWG #:

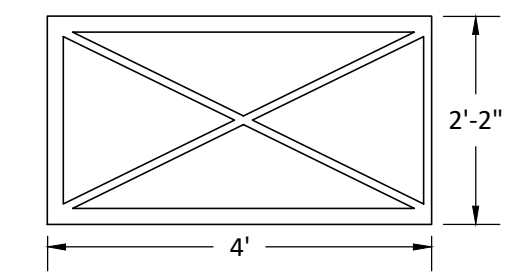
E23



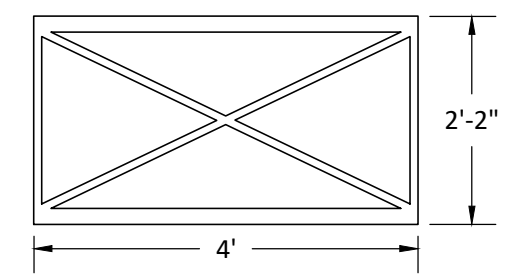
1
E24 Railing- Scale: 1/2" = 1'-0"
Build 1, R&R 1 from 2x1 and 3x1 box tube.
Weld all around, grind faces.
All holes are 1/2" unless noted.



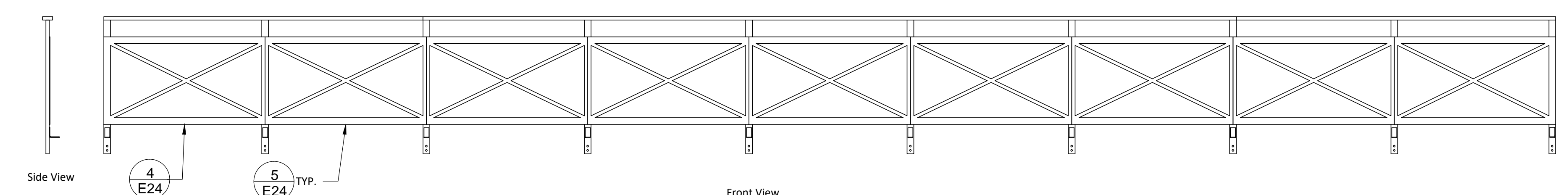
3
E24 Front Railing Applique- Scale: 1/2" = 1'-0"
Build applique from 1/4" MDF OFFCUT.
Attach with tek screws as shown.



5
E24 Outside Railing Appliques- Scale: 1/2" = 1'-0"
Fabricate applique from 1/4" MDF OFFCUT.
Attach with tek screws as shown.



6
E24 Inside Railing Applique- Scale: 1/2" = 1'-0"
Fabricate applique from 1/4" MDF OFFCUT.
Attach with tek screws as shown.



4
E24 Back Railing Applique- Scale: 1/2" = 1'-0"
Build applique from 1/4" MDF OFFCUT.
Attach with tek screws as shown.

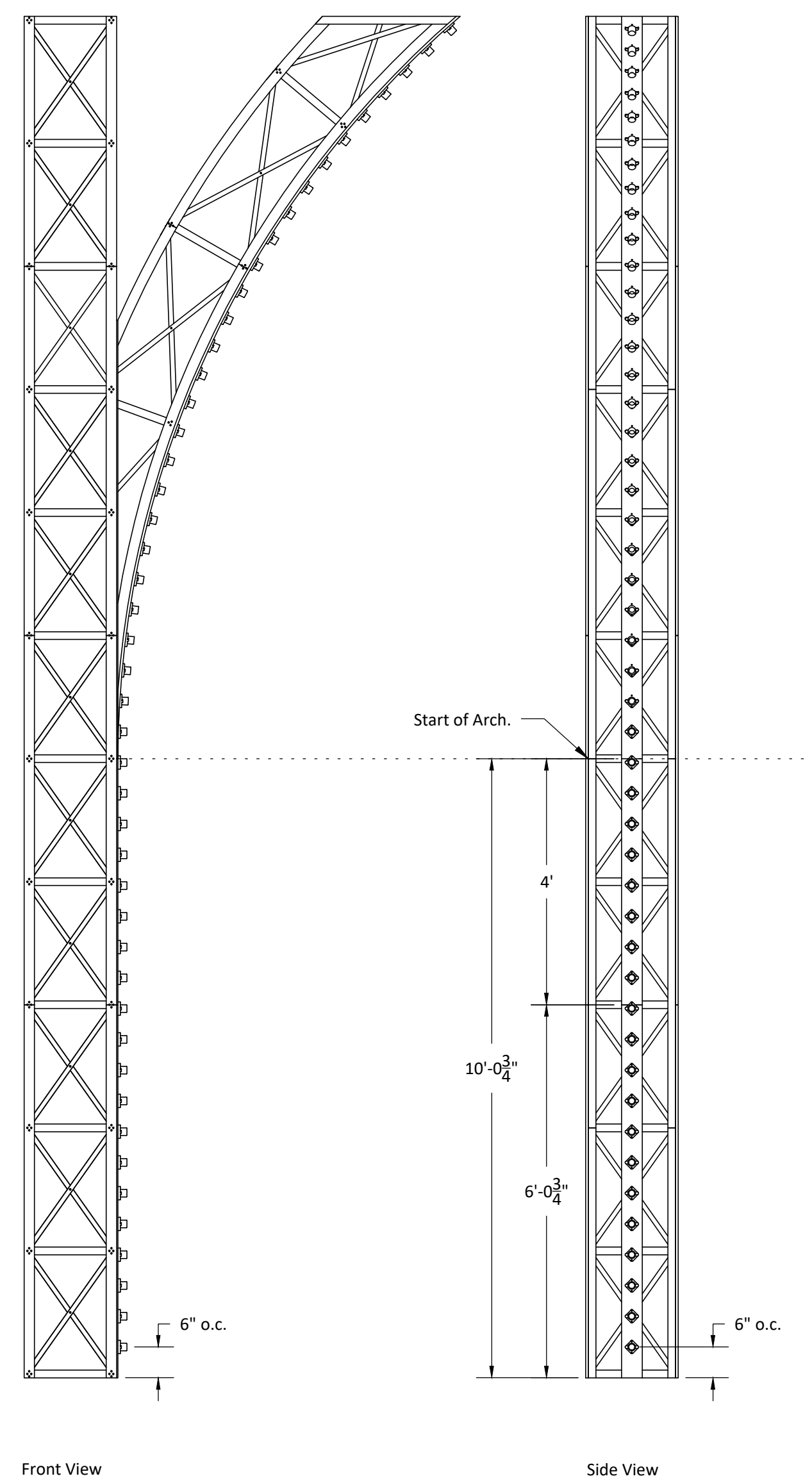
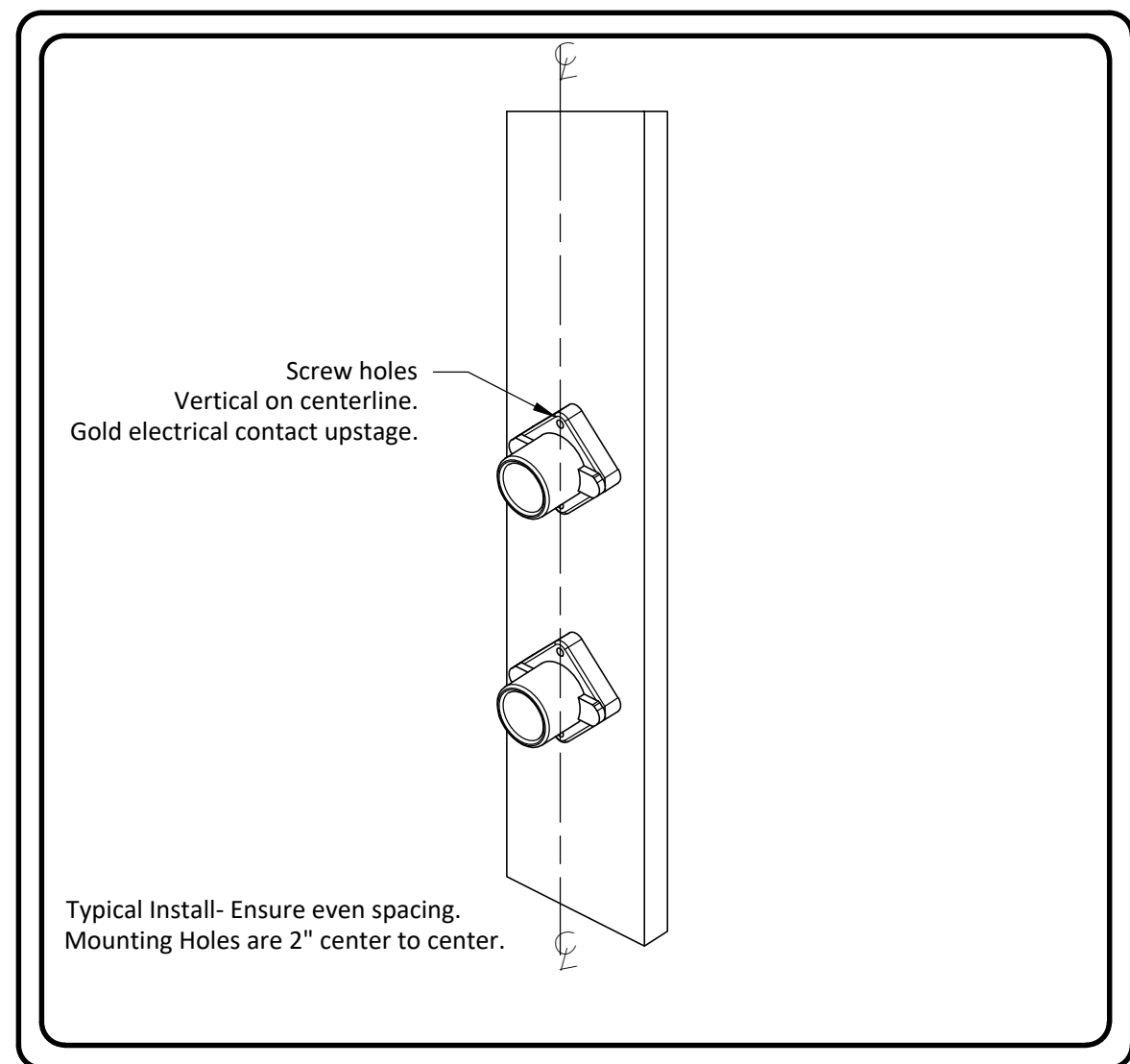


Evita

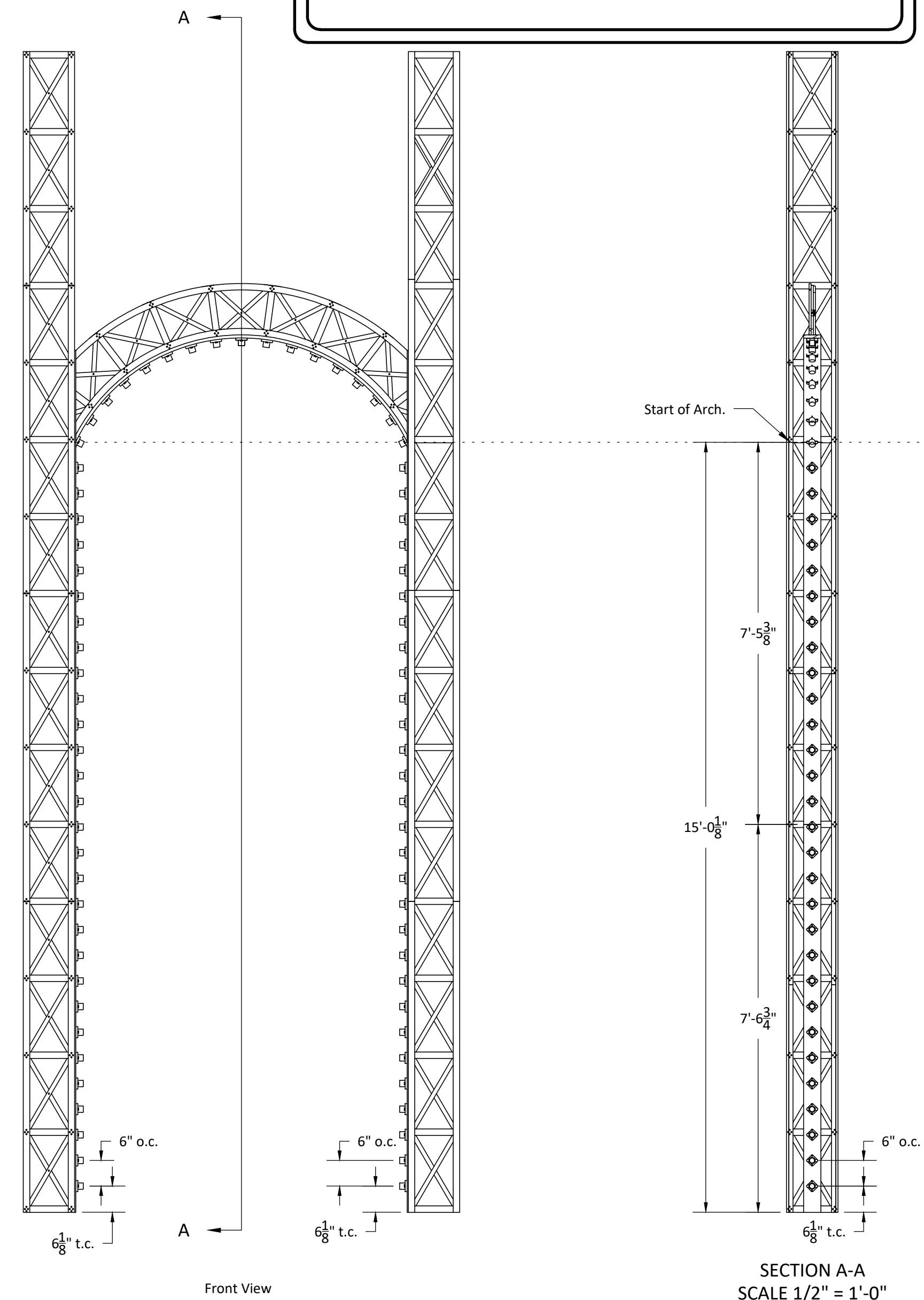
Bridge 3: Railings

Director: D.Razze	Designer: S.TenEyck
Tech Director: Aaron Mayer	Drafted By: A.Mayer
DWG Date: 5/24/2017	REV Date: Scale: As Noted

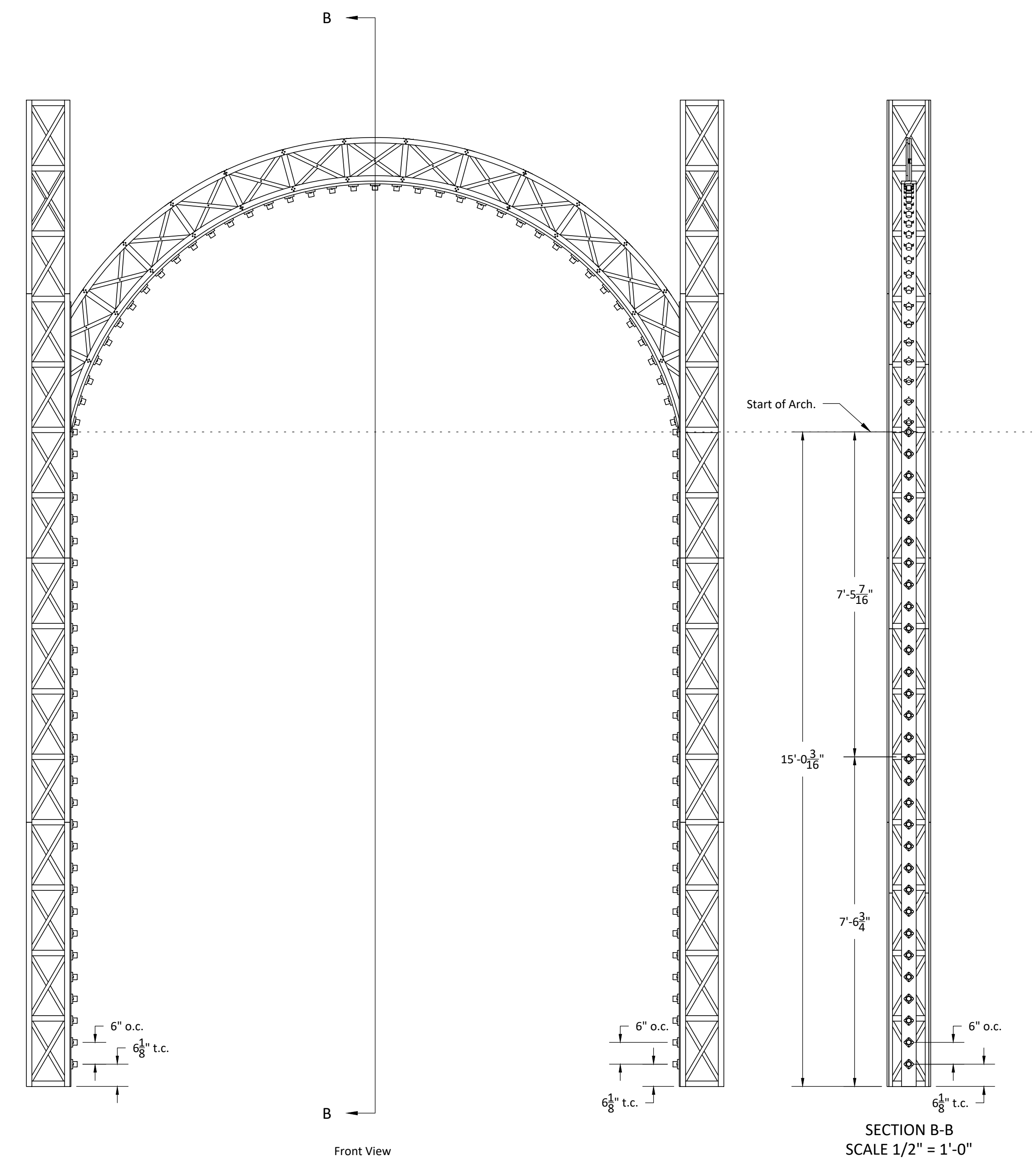
DWG #:
E24



1
E25 Down Stage Truss Lights- Scale: $\frac{1}{2}$ " = 1'-0"
Screw on porcelain pony cleats as indicated.
DO NOT CRACK PORCELAIN!
Screws are rotated on centerline.
Ensure even spacing.
47 sockets needed for each unit.



2
E25 Up Stage Truss Small Archway Lights- Scale: $\frac{1}{2}$ " = 1'-0"
Screw on porcelain pony cleats as indicated.
DO NOT CRACK PORCELAIN!
Screws are rotated on centerline.
Ensure even spacing.
76 sockets needed for each unit.



3
E25 Up Stage Truss Big Archway Lights- Scale: $\frac{1}{2}$ " = 1'-0"
Screw on porcelain pony cleats as indicated.
DO NOT CRACK PORCELAIN!
Screws are rotated on centerline.
Ensure even spacing.
100 sockets needed for the unit.

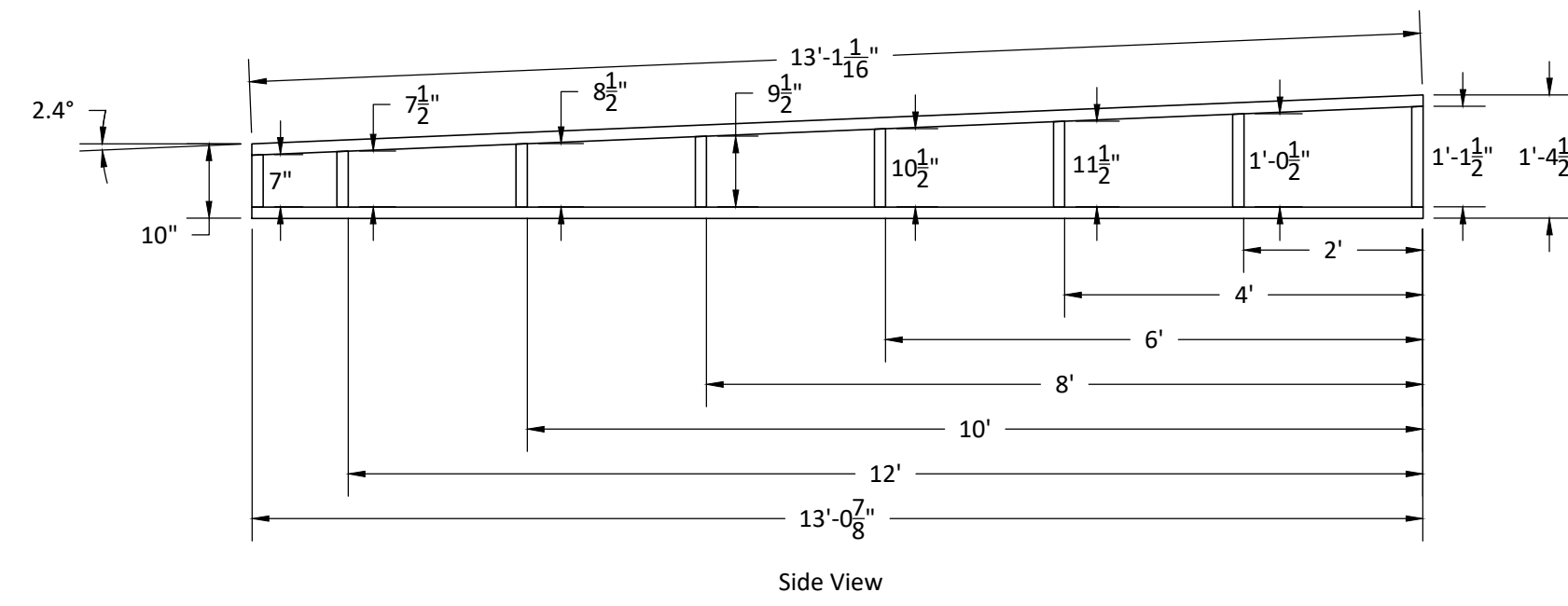


Evita

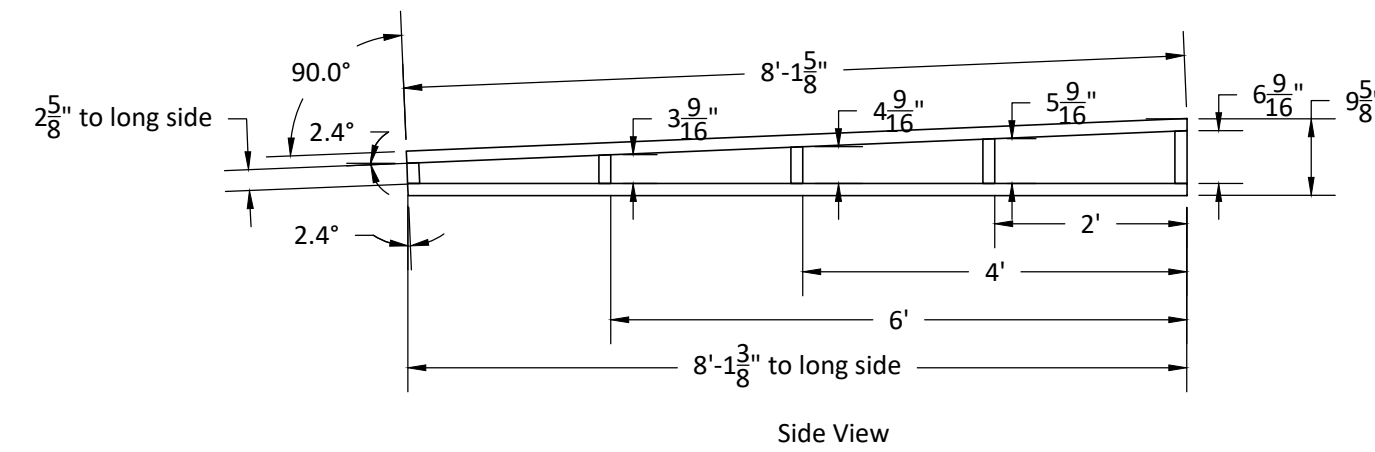
Truss Light Socket Placement

Director: D.Razze	Designer: S.TenEyck
Tech Director: Aaron Mayer	Drafted By: A.Mayer
DWG Date: 5/25/2017	REV Date:
Scale: As Noted	

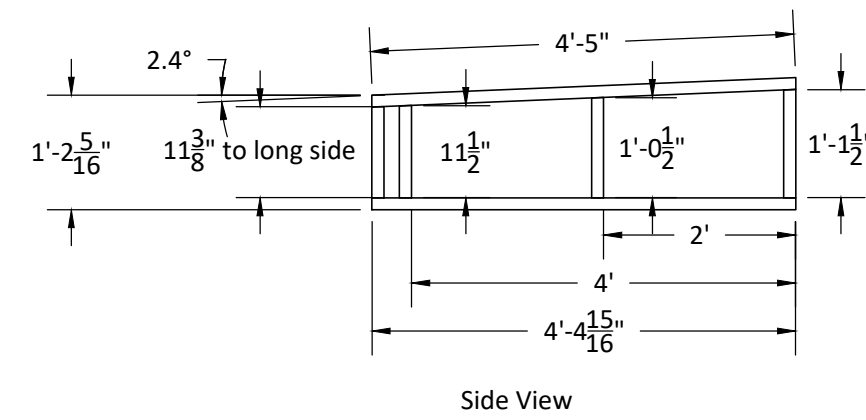
DWG #:
E25



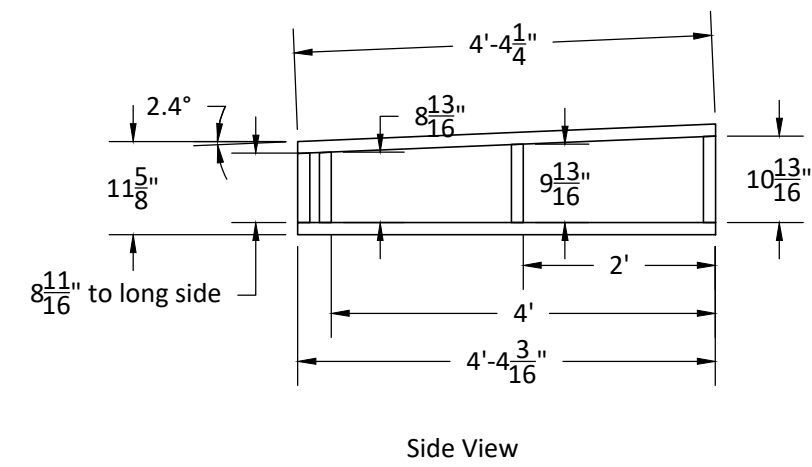
1 Studwall Style 1- Scale: 1/2" = 1'-0"
E26 Build 18.



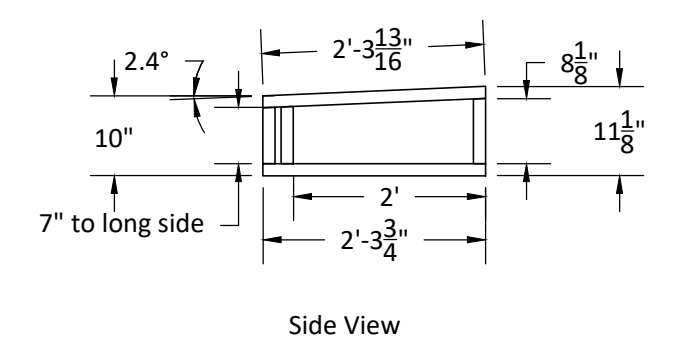
2 Studwall Style 2- Scale: 1/2" = 1'-0"
E26 Build 12.



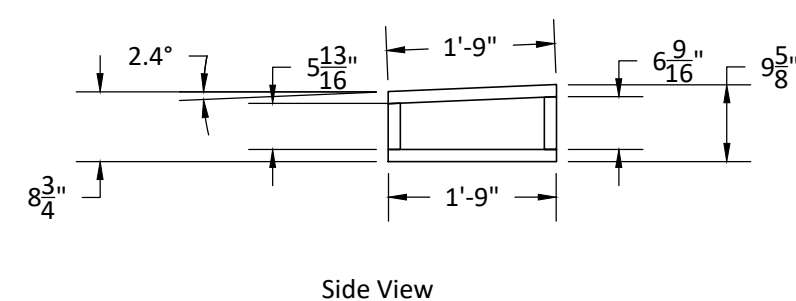
3 Studwall Style 3- Scale: 1/2" = 1'-0"
E26 Build 2.



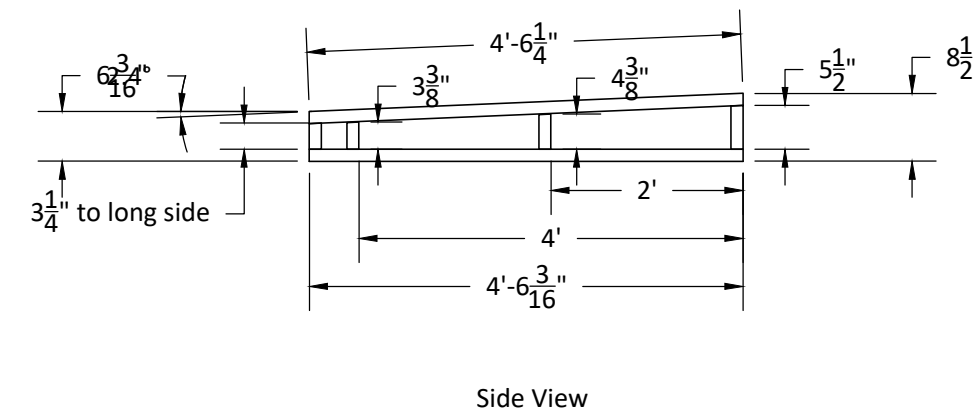
4 Studwall Style 4- Scale: 1/2" = 1'-0"
E26 Build 2.



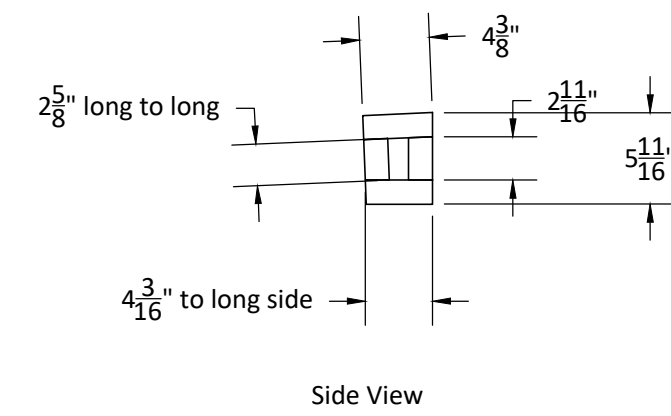
5 Studwall Style 5- Scale: 1/2" = 1'-0"
E26 Build 2.



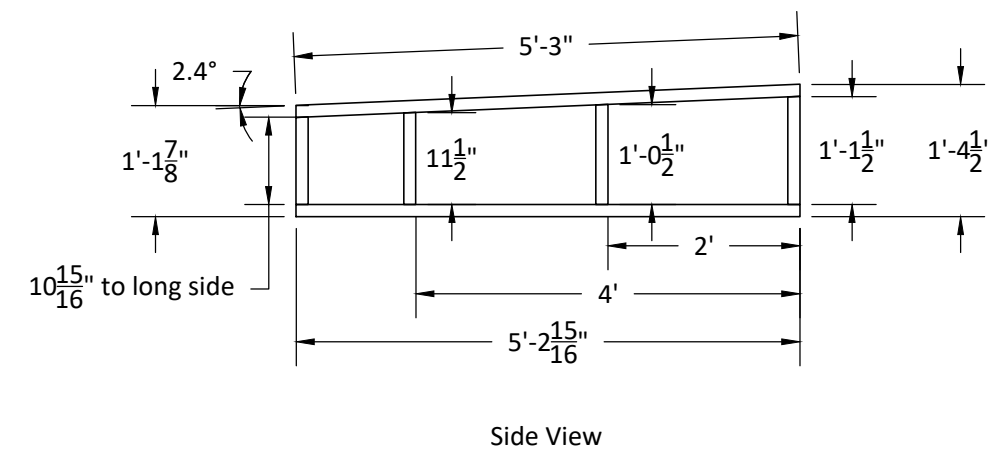
6 Studwall Style 6- Scale: 1/2" = 1'-0"
E26 Build 2.



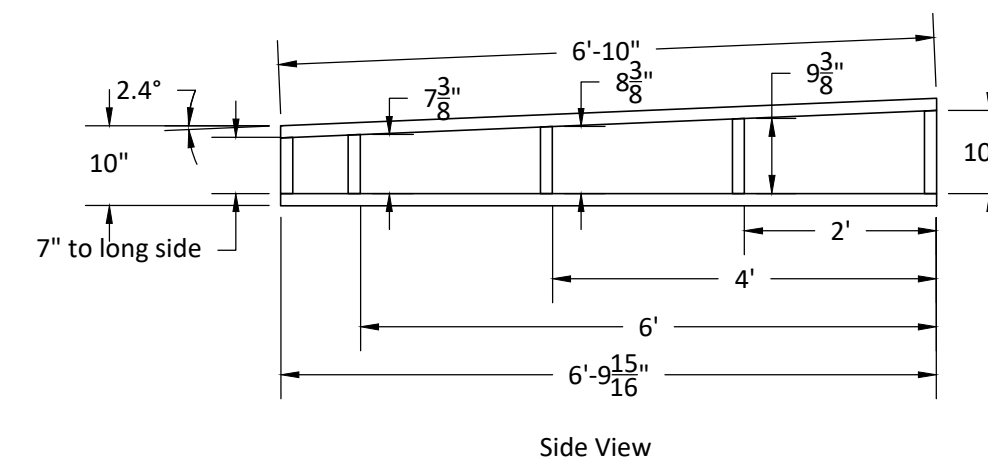
7 Studwall Style 7- Scale: 1/2" = 1'-0"
E26 Build 2.



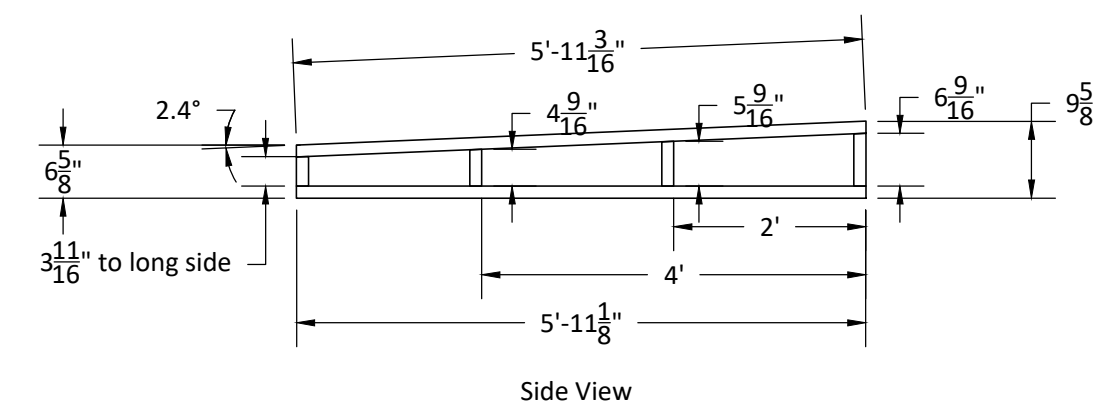
8 Studwall Style 8- Scale: 1" = 1'-0"
E26 Build 2.



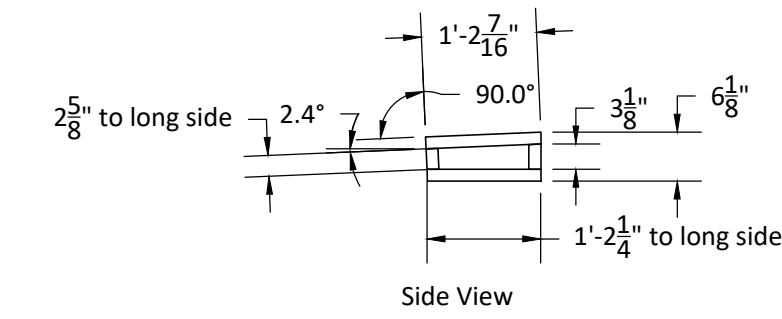
9 Studwall Style 9- Scale: 1/2" = 1'-0"
E26 Build 2.



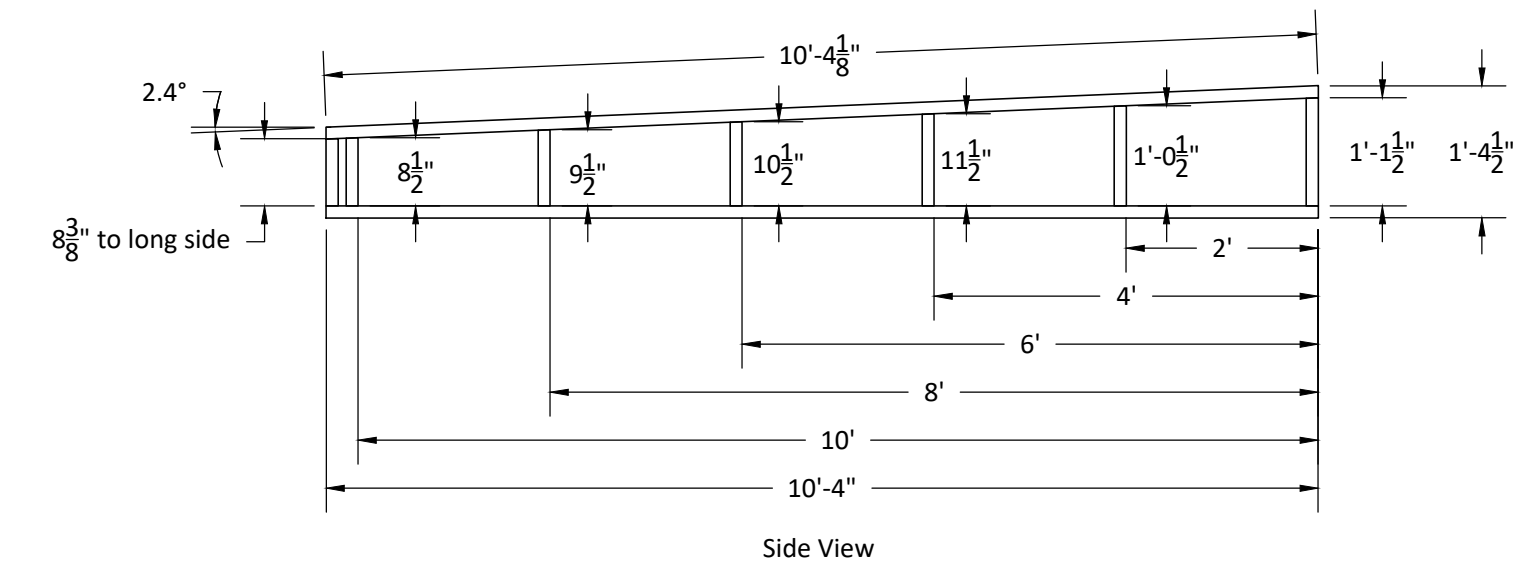
10 Studwall Style 10- Scale: 1/2" = 1'-0"
E26 Build 2.



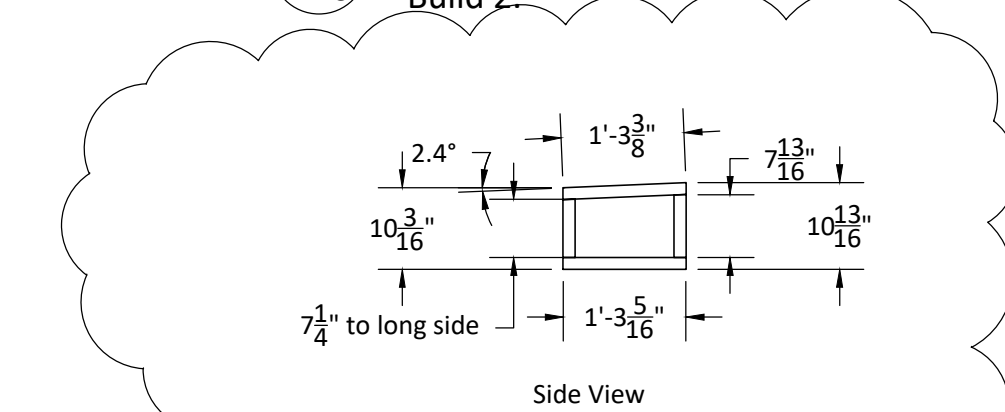
11 Studwall Style 11- Scale: 1/2" = 1'-0"
E26 Build 2.



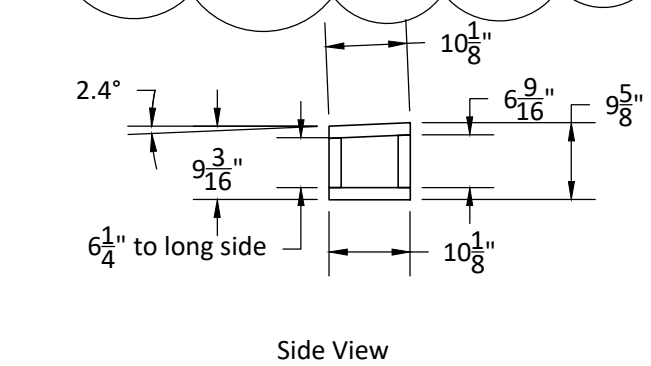
12 Studwall Style 12- Scale: 1/2" = 1'-0"
E26 Build 2.



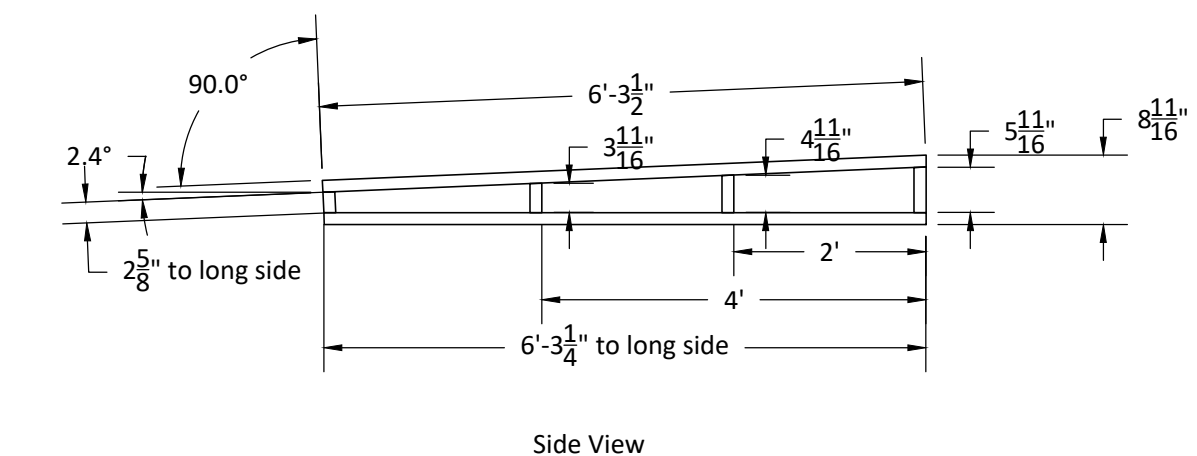
13 Studwall Style 13- Scale: 1/2" = 1'-0"
E26 Build 2.



14 Studwall Style 14- Scale: 1/2" = 1'-0"
E26 Build 2.

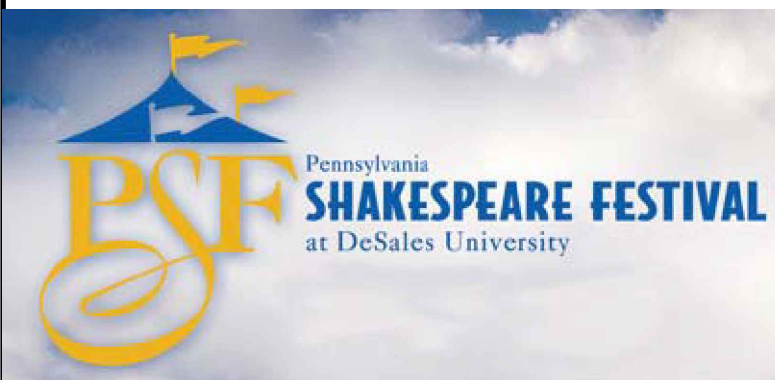


15 Studwall Style 15- Scale: 1/2" = 1'-0"
E26 Build 2.



16 Studwall Style 16- Scale: 1/2" = 1'-0"
E26 Build 2.

All Studwalls are built from 2x4 and assemble with glue and framing nails unless otherwise noted.



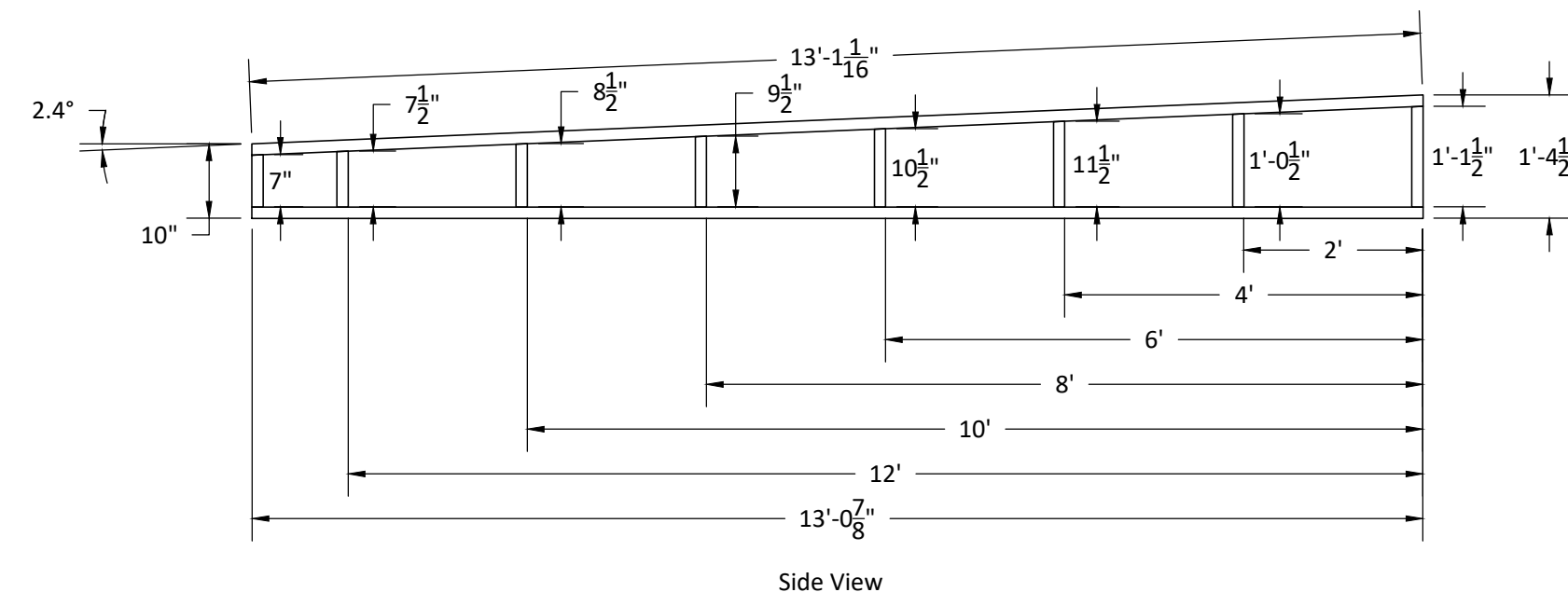
Evita

Studwalls 1

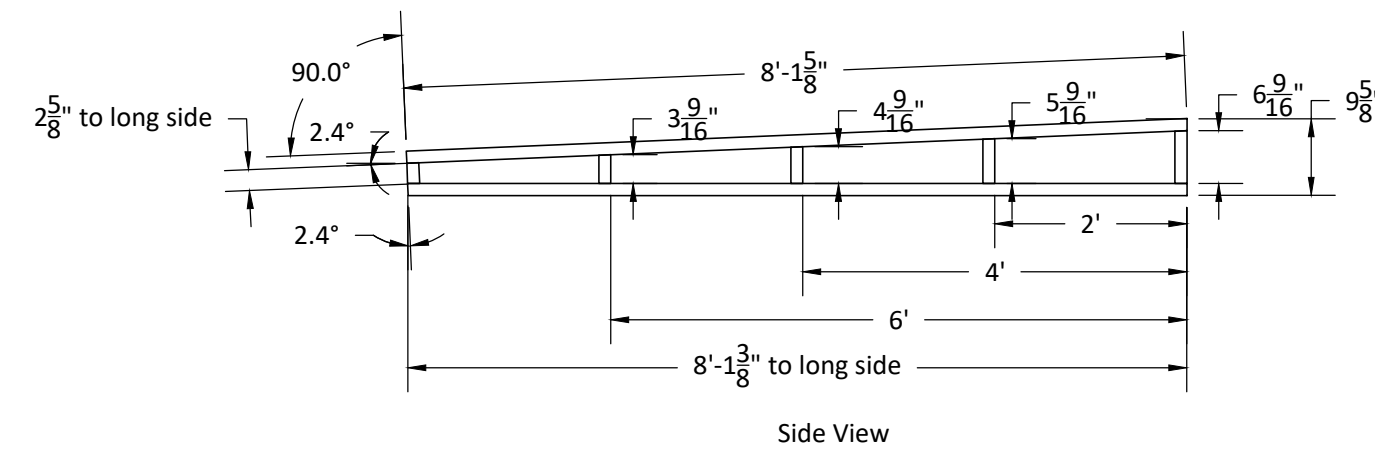
Director: D.Razze	Designer: S.TenEyck
Tech Director: Aaron Mayer	Drafted By: A.Mayer
DWG Date: 5/28/2017	REV Date: 5/29/2017 V2 Scale: As Noted

DWG #:

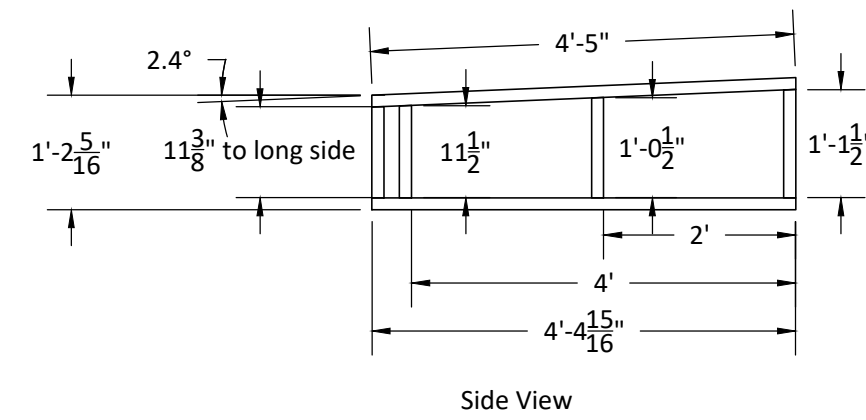
E26



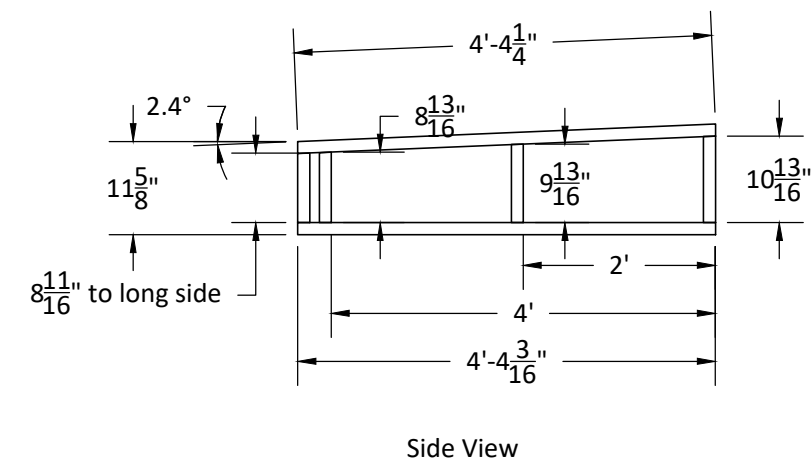
1 Studwall Style 1- Scale: $\frac{1}{2}'' = 1'-0''$
E26 Build 18.



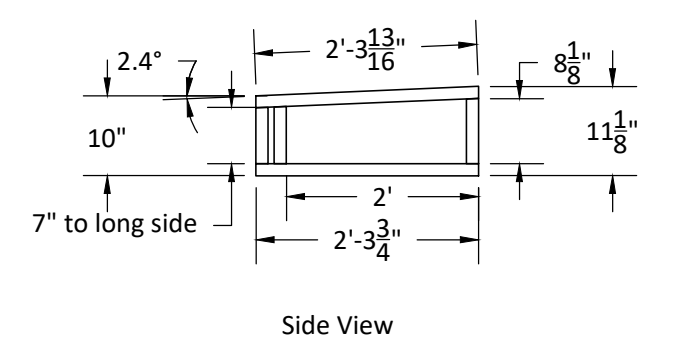
2 Studwall Style 2- Scale: $\frac{1}{2}'' = 1'-0''$
E26 Build 12.



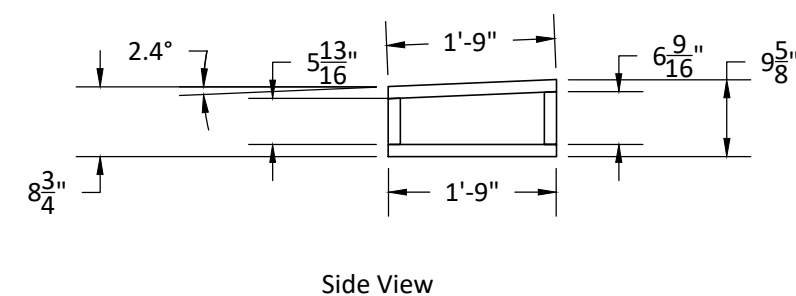
3 Studwall Style 3- Scale: $\frac{1}{2}'' = 1'-0''$
E26 Build 2.



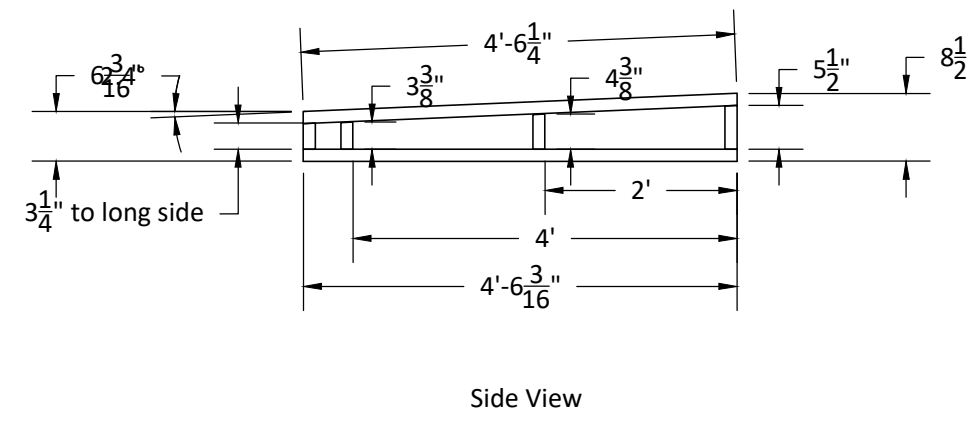
4 Studwall Style 4- Scale: $\frac{1}{2}'' = 1'-0''$
E26 Build 2.



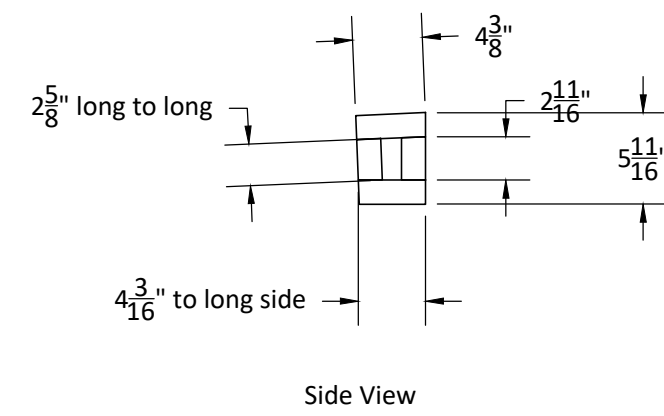
5 Studwall Style 5- Scale: $\frac{1}{2}'' = 1'-0''$
E26 Build 2.



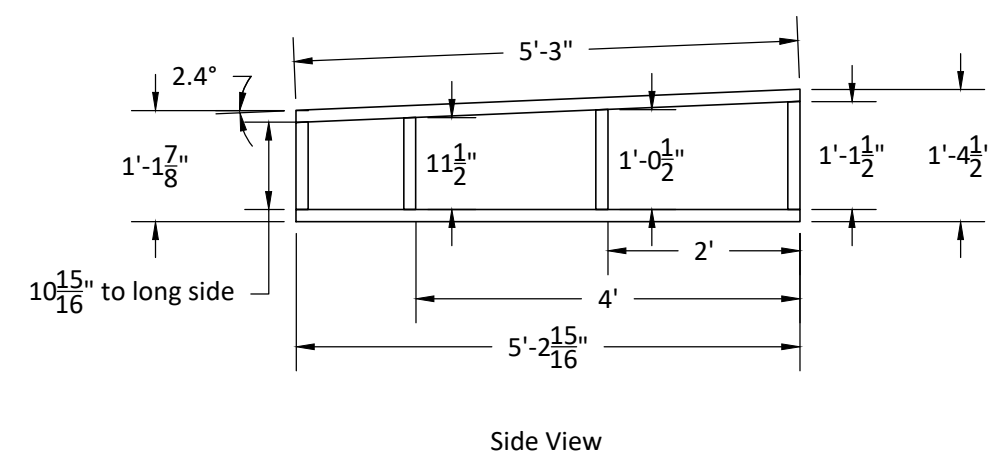
6 Studwall Style 6- Scale: $\frac{3}{4}'' = 1'-0''$
E26 Build 2.



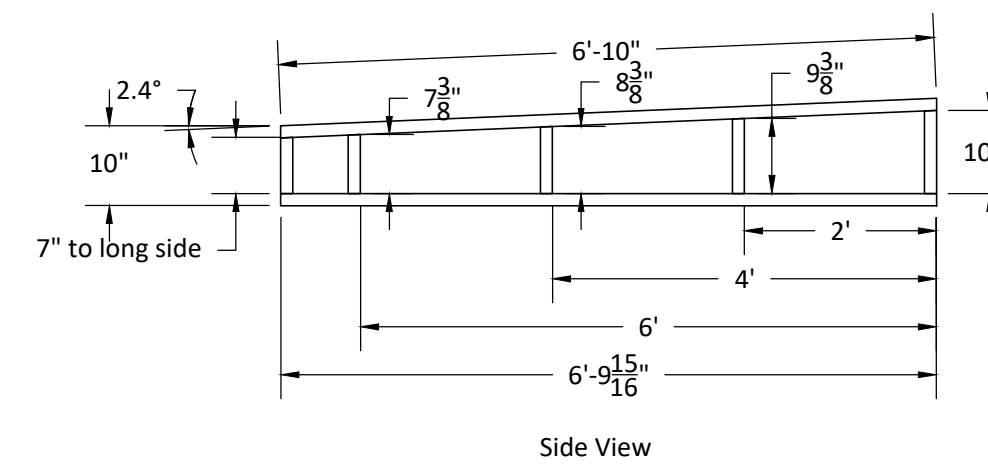
7 Studwall Style 7- Scale: $\frac{1}{2}'' = 1'-0''$
E26 Build 2.



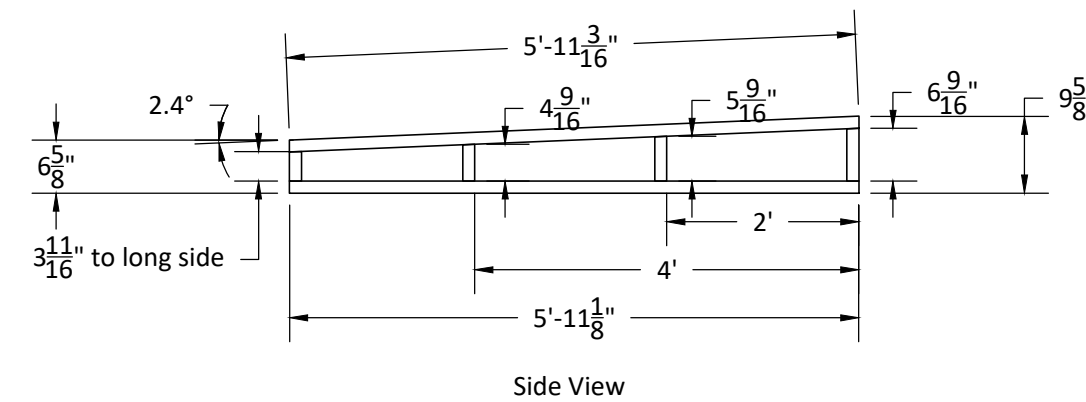
8 Studwall Style 8- Scale: $1'' = 1'-0''$
E26 Build 2.



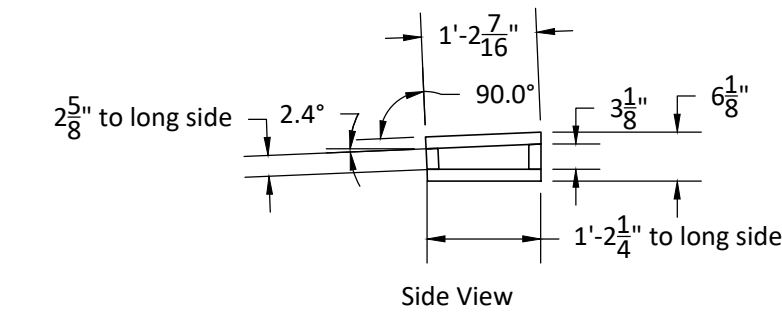
9 Studwall Style 9- Scale: $\frac{1}{2}'' = 1'-0''$
E26 Build 2.



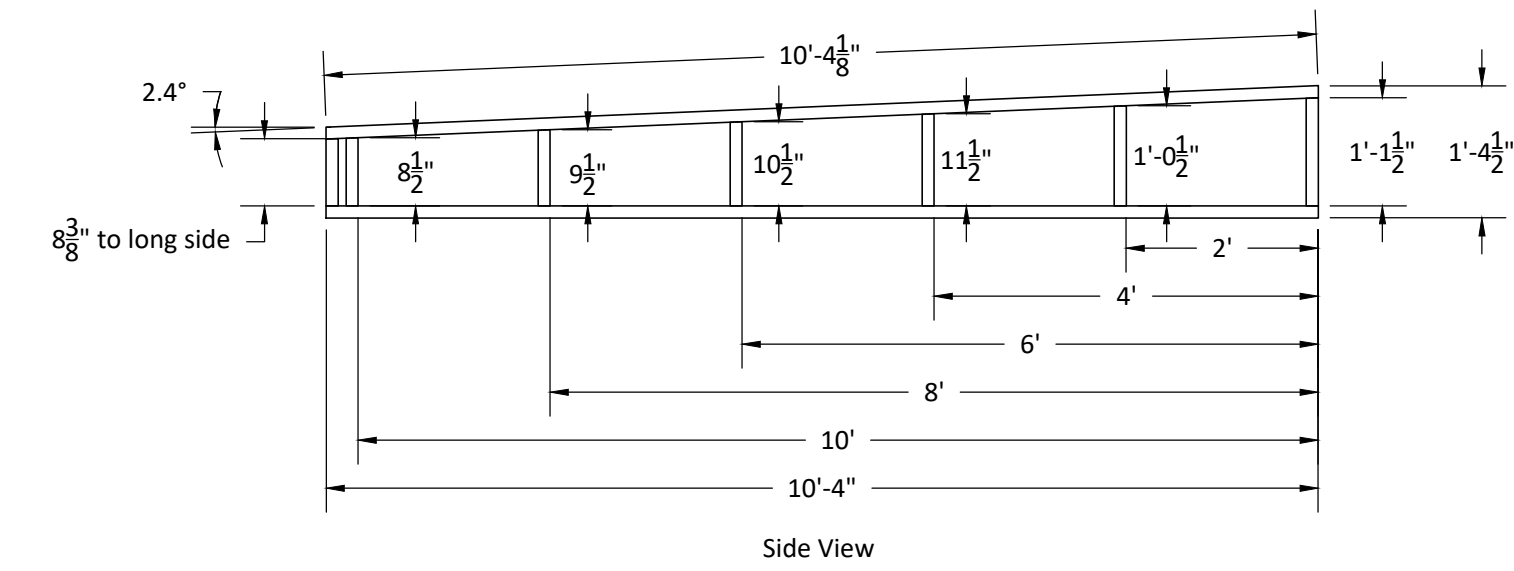
10 Studwall Style 10- Scale: $\frac{1}{2}'' = 1'-0''$
E26 Build 2.



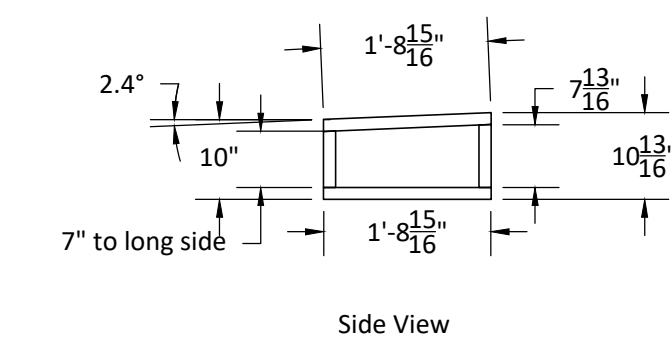
11 Studwall Style 11- Scale: $\frac{1}{2}'' = 1'-0''$
E26 Build 2.



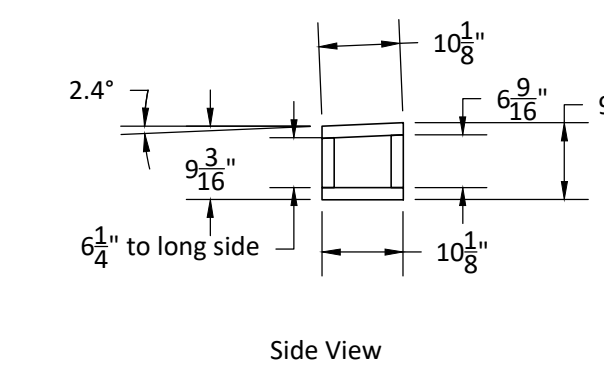
12 Studwall Style 12- Scale: $\frac{1}{2}'' = 1'-0''$
E26 Build 2.



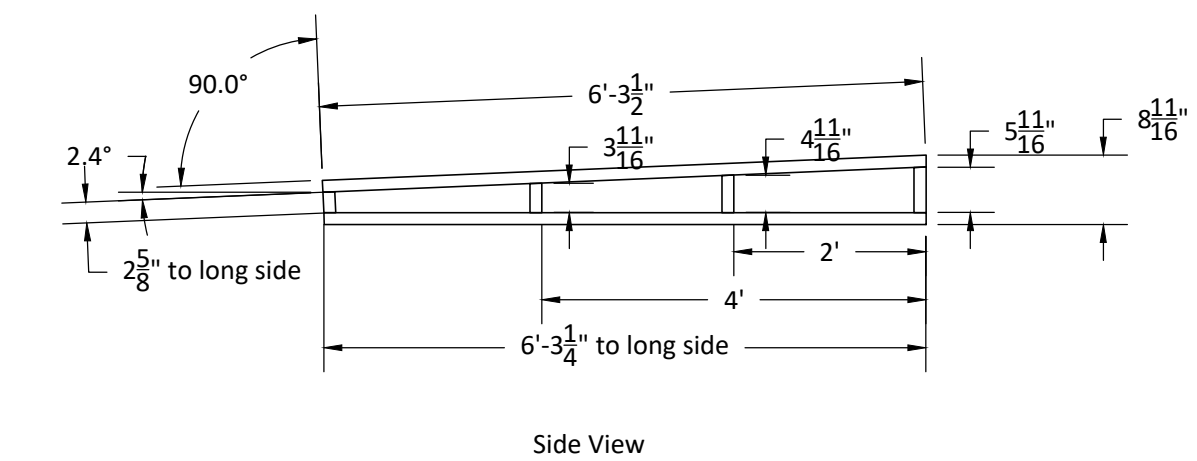
13 Studwall Style 13- Scale: $\frac{1}{2}'' = 1'-0''$
E26 Build 2.



14 Studwall Style 14- Scale: $\frac{1}{2}'' = 1'-0''$
E26 Build 2.

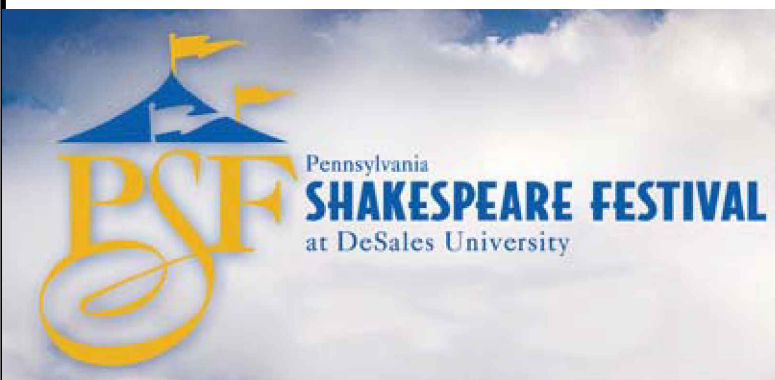


15 Studwall Style 15- Scale: $\frac{1}{2}'' = 1'-0''$
E26 Build 2.



16 Studwall Style 16- Scale: $\frac{1}{2}'' = 1'-0''$
E26 Build 2.

All Studwalls are built from 2x4 and assemble with glue and framing nails unless otherwise noted.



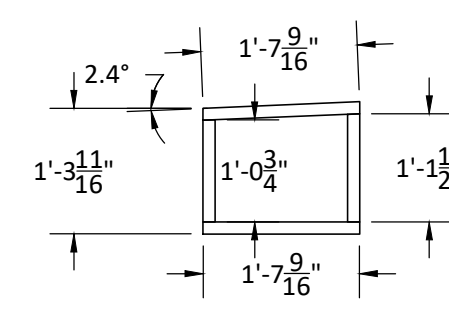
Evita

Studwalls 1

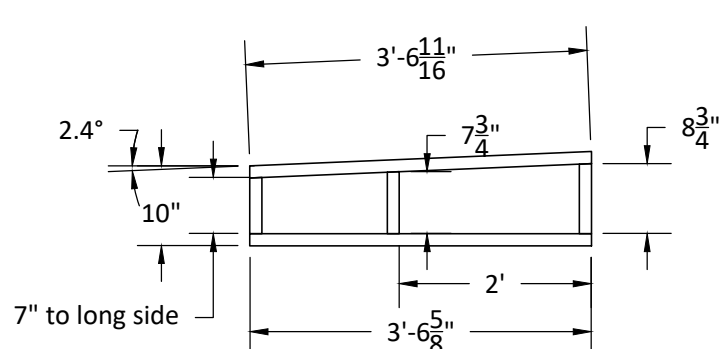
Director: D.Razze	Designer: S.TenEyck
Tech Director: Aaron Mayer	Drafted By: A.Mayer
DWG Date: 5/28/2017	REV Date: Scale: As Noted

DWG #:

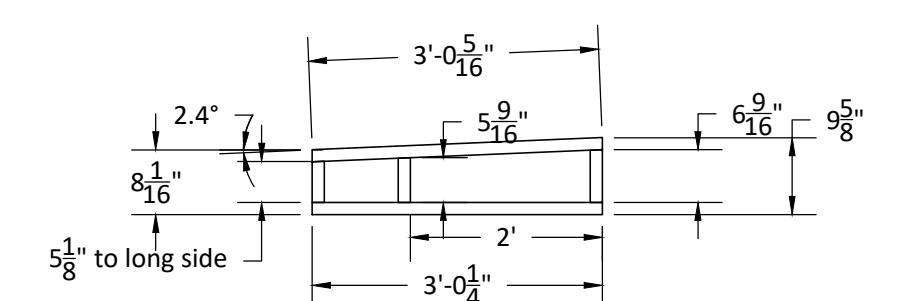
E26



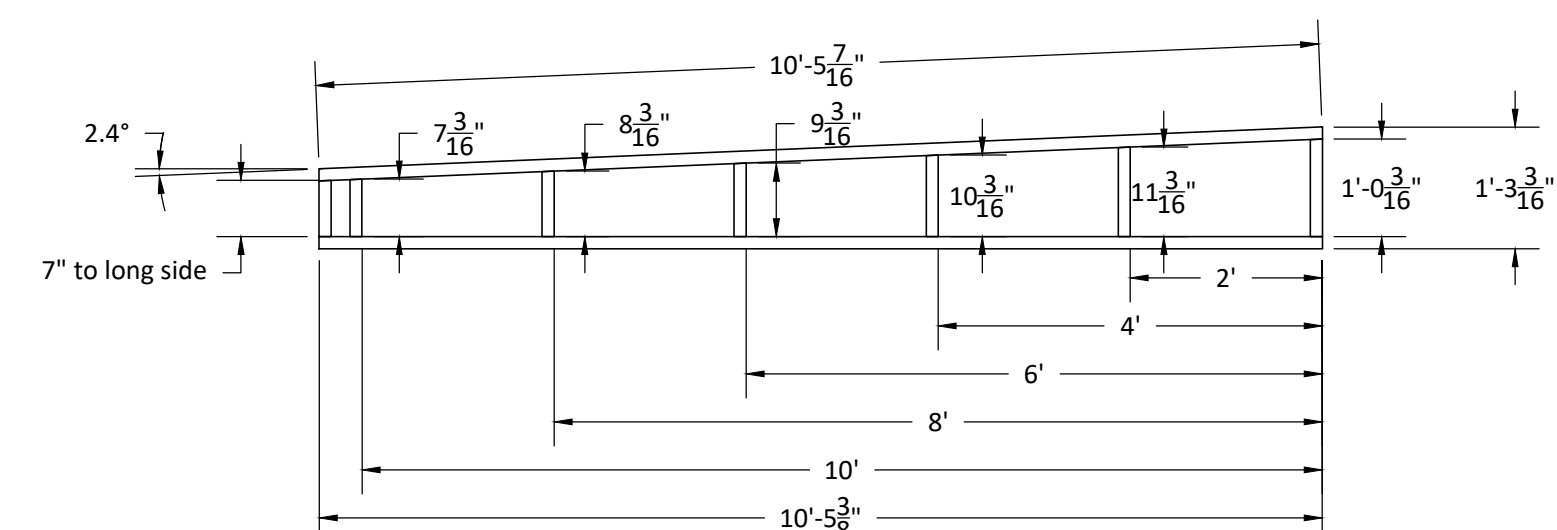
Side View
1
E27 Studwall Style 17- Scale: $\frac{1}{2}'' = 1'-0''$
 Build 2.



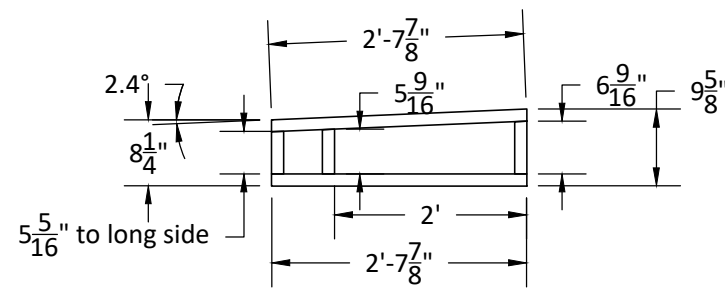
Side View
4
E27 Studwall Style 20- Scale: $\frac{1}{2}'' = 1'-0''$
 Build 2.



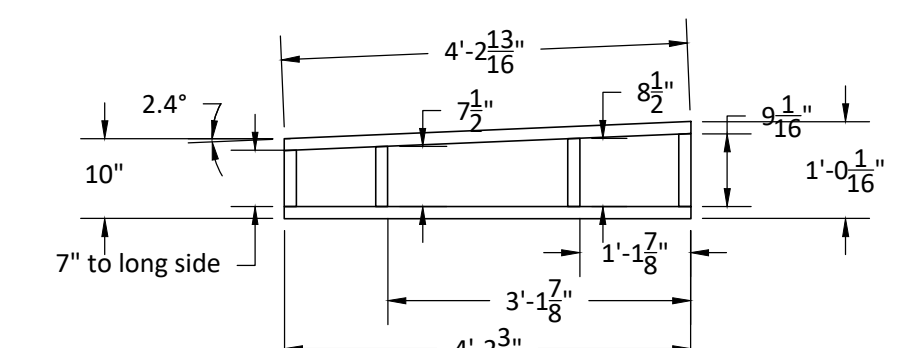
Side View
8
E27 Studwall Style 24- Scale: $\frac{1}{2}'' = 1'-0''$
 Build 9.



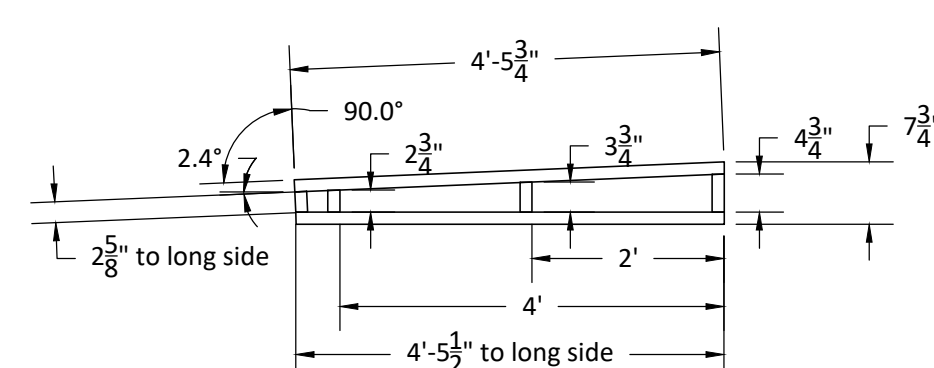
Side View
2
E27 Studwall Style 18- Scale: $\frac{1}{2}'' = 1'-0''$
 Build 2.



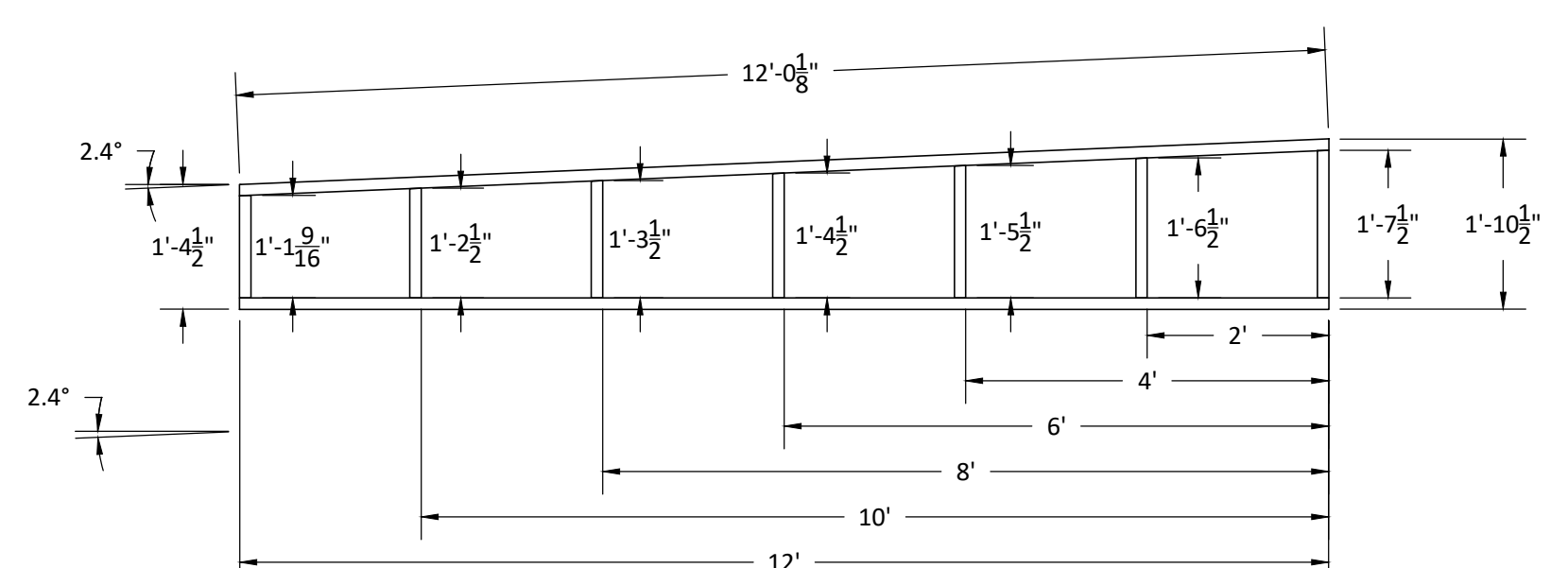
Side View
5
E27 Studwall Style 21- Scale: $\frac{1}{2}'' = 1'-0''$
 Build 2.



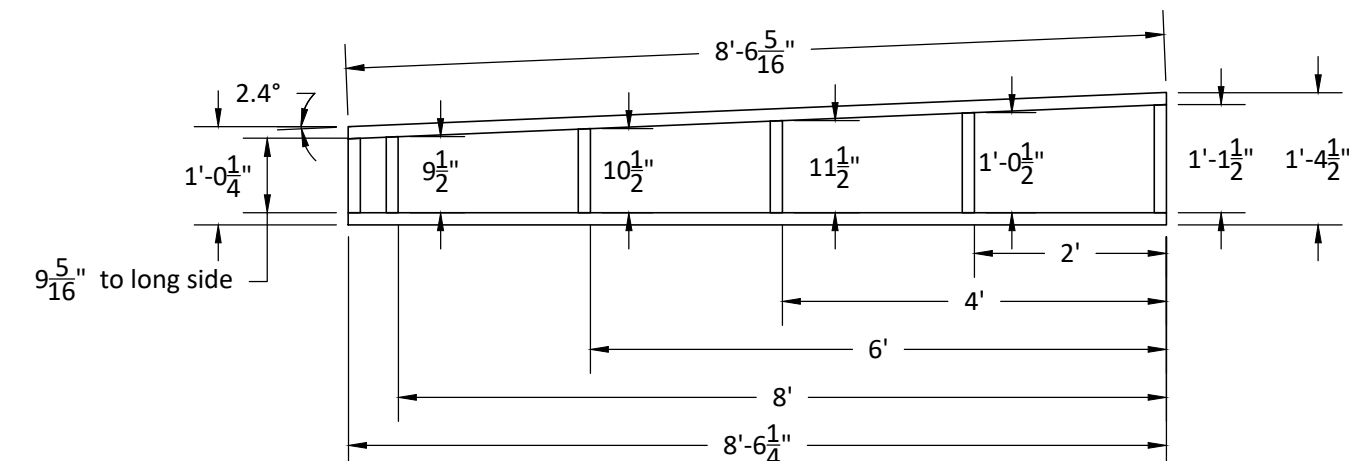
Side View
9
E27 Studwall Style 25- Scale: $\frac{1}{2}'' = 1'-0''$
 Build 9.



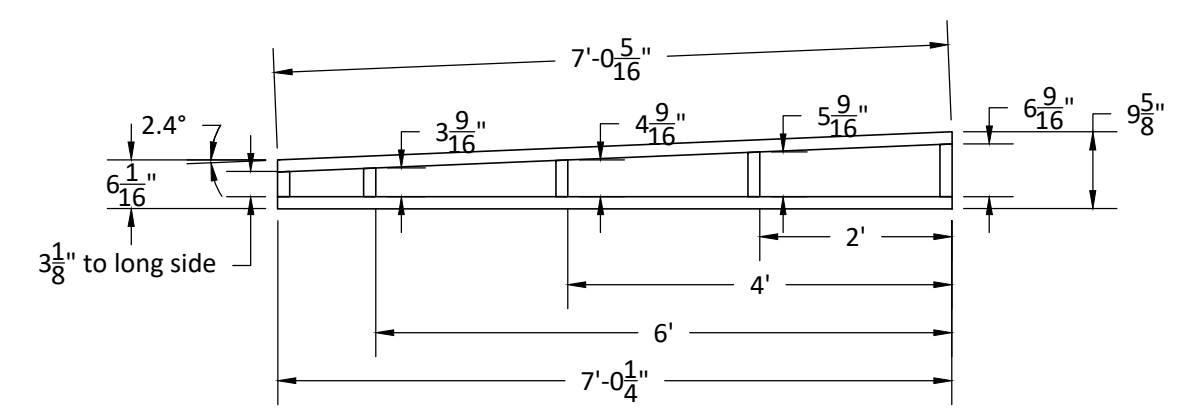
Side View
6
E27 Studwall Style 22- Scale: $\frac{1}{2}'' = 1'-0''$
 Build 2.



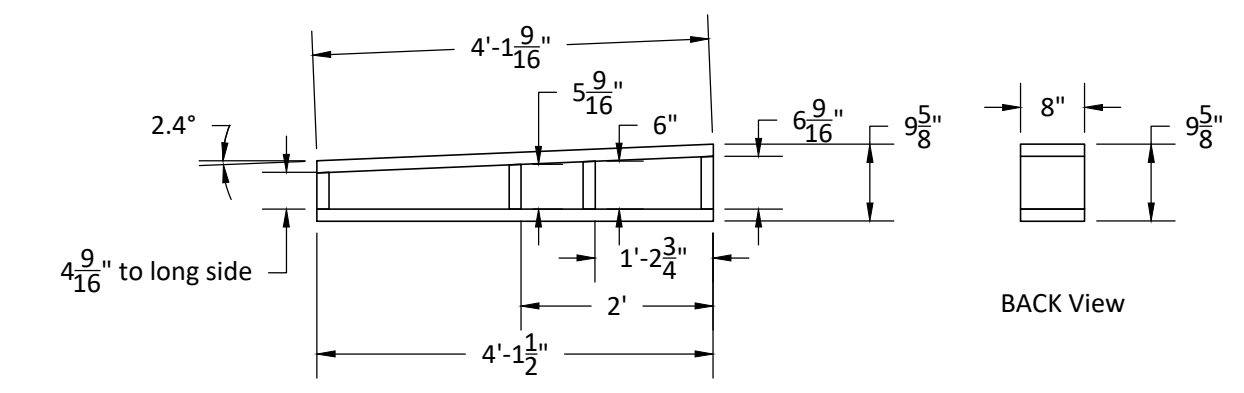
Side View
10
E27 Studwall Style 26- Scale: $\frac{1}{2}'' = 1'-0''$
 Build 6.



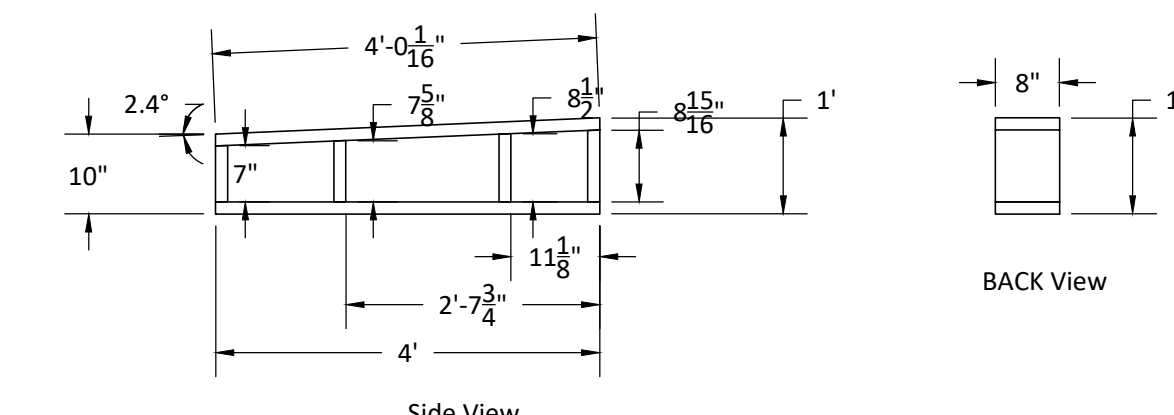
Side View
3
E27 Studwall Style 19- Scale: $\frac{1}{2}'' = 1'-0''$
 Build 2.



Side View
7
E27 Studwall Style 23- Scale: $\frac{1}{2}'' = 1'-0''$
 Build 8.



Side View
11
E27 Studwall Style 27- Scale: $\frac{1}{2}'' = 1'-0''$
 Build 2 from ripped 2x10.
 Glue and CONSTRUCTION SCREW.



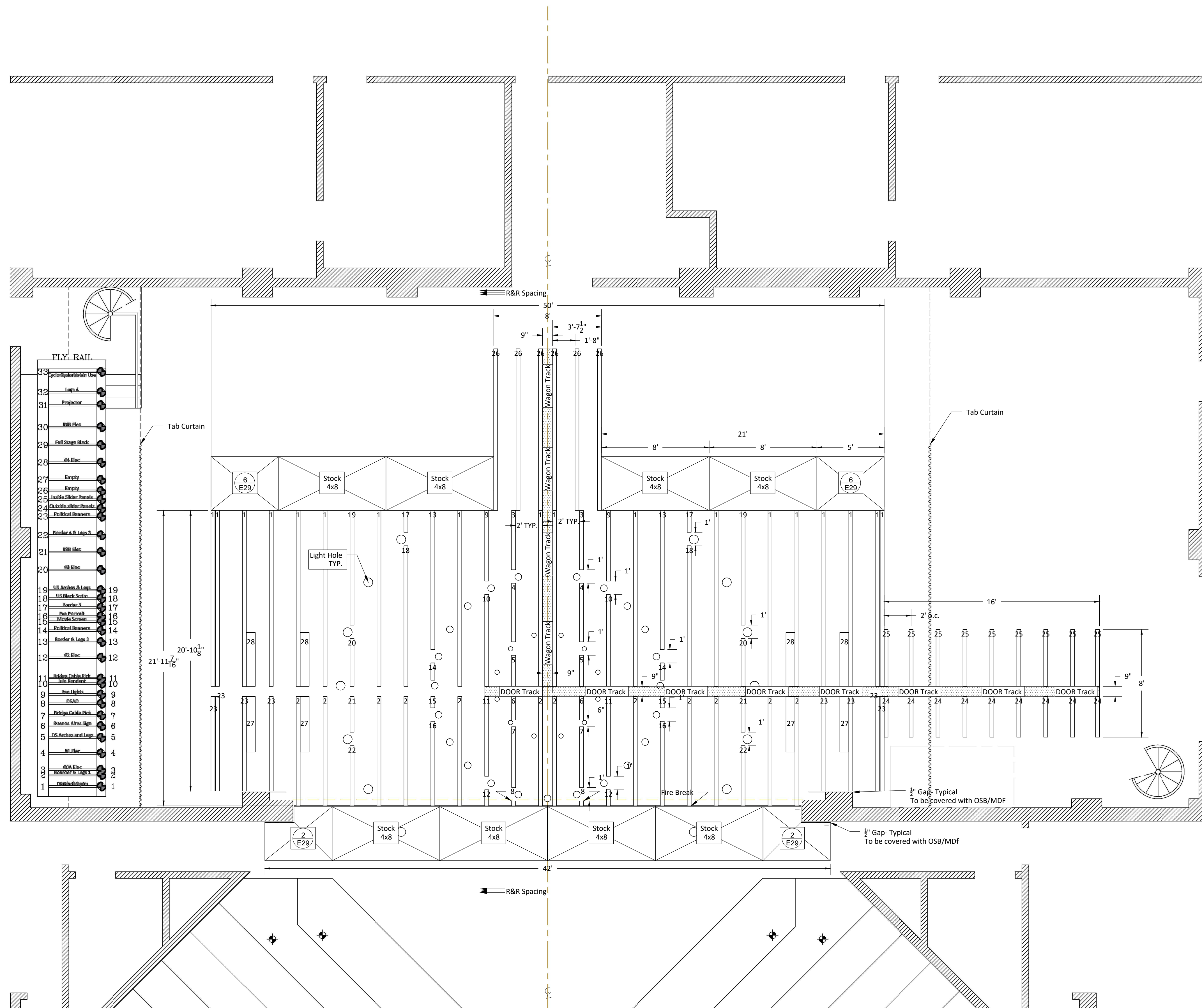
Side View
12
E27 Studwall Style 28- Scale: $\frac{1}{2}'' = 1'-0''$
 Build 2 from ripped 2x10.
 Glue and CONSTRUCTION SCREW.

All Studwalls are built from 2x4 and assemble with glue and framing nails unless otherwise noted.



Evita

Studwalls 2			DWG #: E27
Director: D.Razze	Designer: S.TenEyck		
Tech Director: Aaron Mayer	Drafted By: A.Mayer		
DWG Date: 5/28/2017	REV Date:	Scale: As Noted	

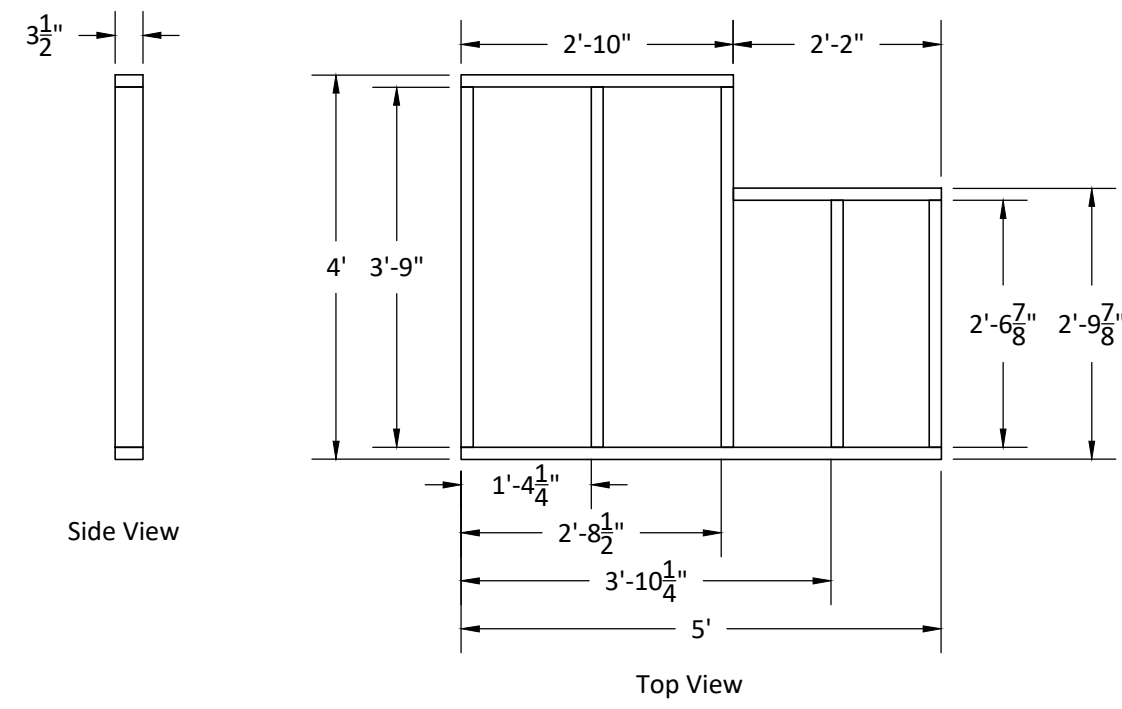


Evita

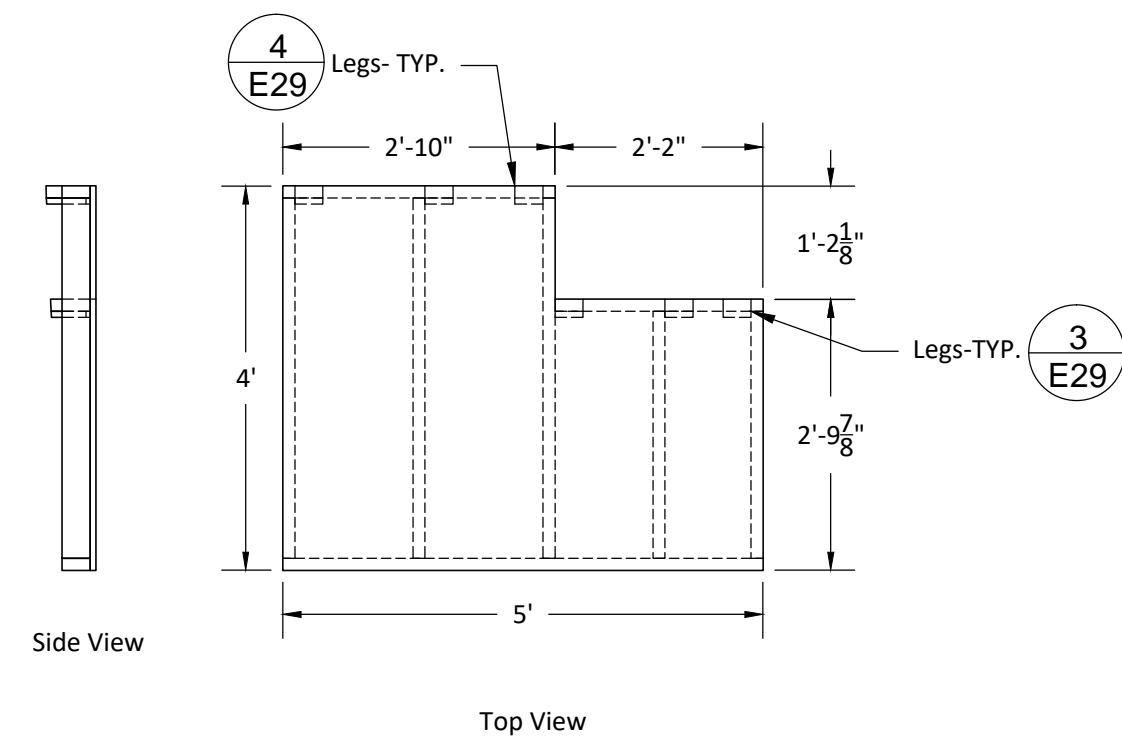
Studwall Ground Plan

Director: D.Razze	Designer: S.TenEyck
Tech Director: Aaron Mayer	Drafted By: A.Mayer
DWG Date: 5/28/2017	REV Date:
Scale: As Noted	

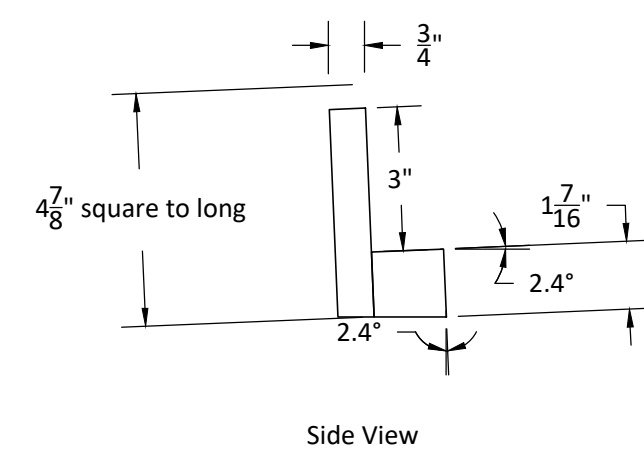
DWG #:
E28



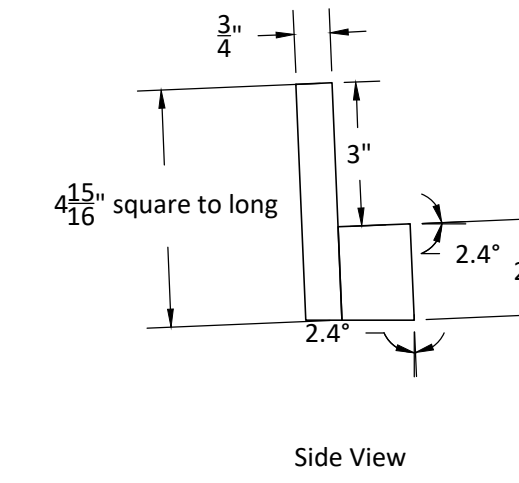
1 E29 Down Stage Custom Platform Frame- Scale: 1/2" = 1'-0"
Build 2 from 2x4. Glue and Framing Nail.



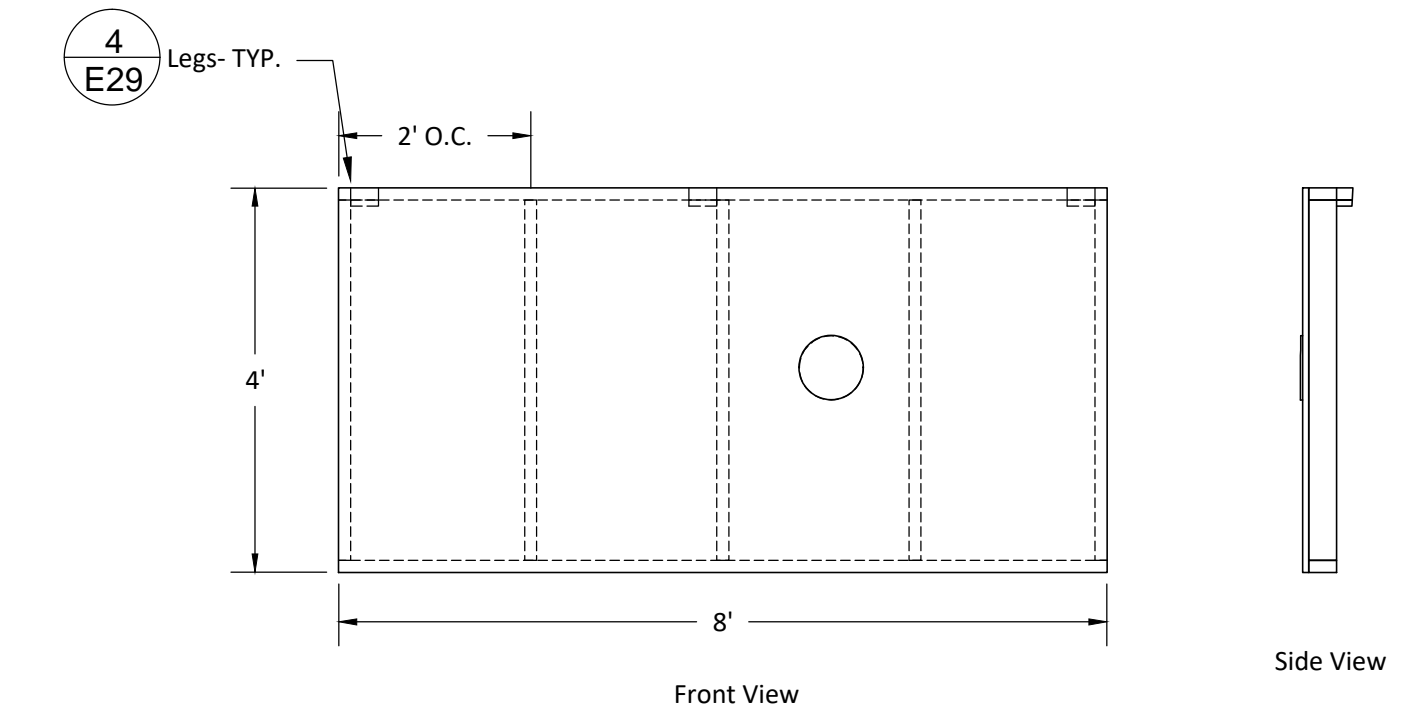
2 E29 Down Stage Custom Platform Deck- Scale: 1/2" = 1'-0"
Deck 1, R&R 1 for SR with 3/4" CDX Plywood. Glue and Screw.



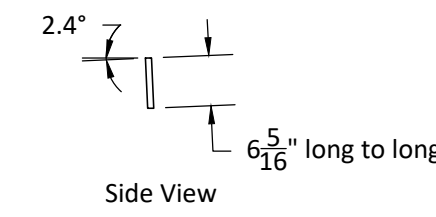
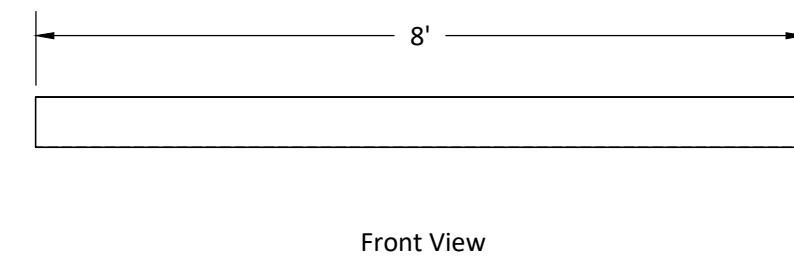
3 E29 Short Legs- Scale: 3" = 1'-0"
Build 3 from 2x4 and 3/4" Plywood. Glue All.



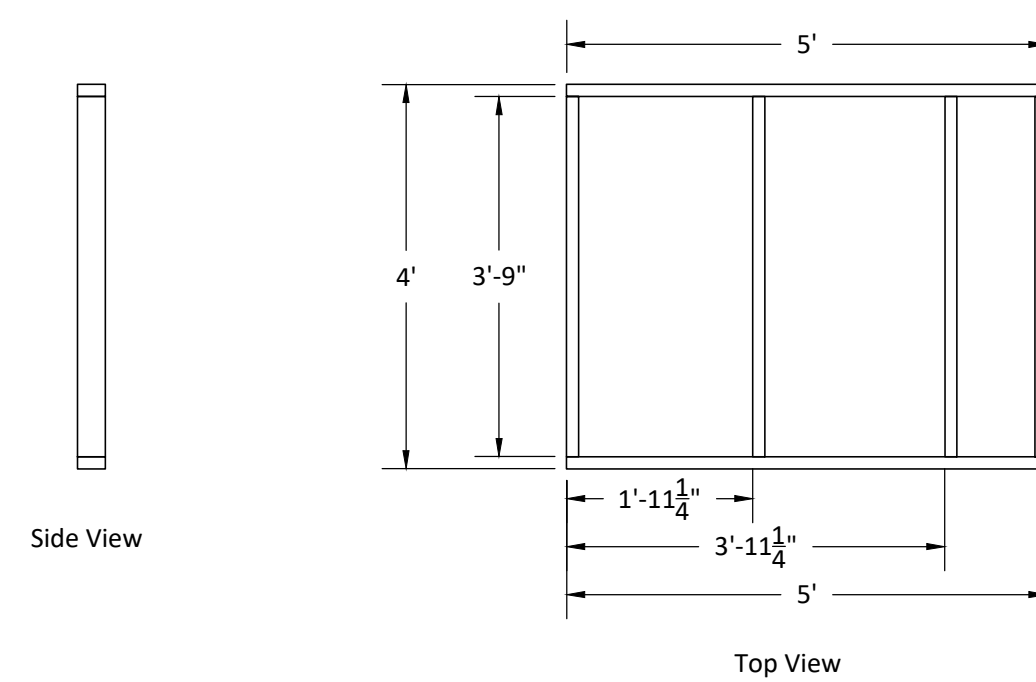
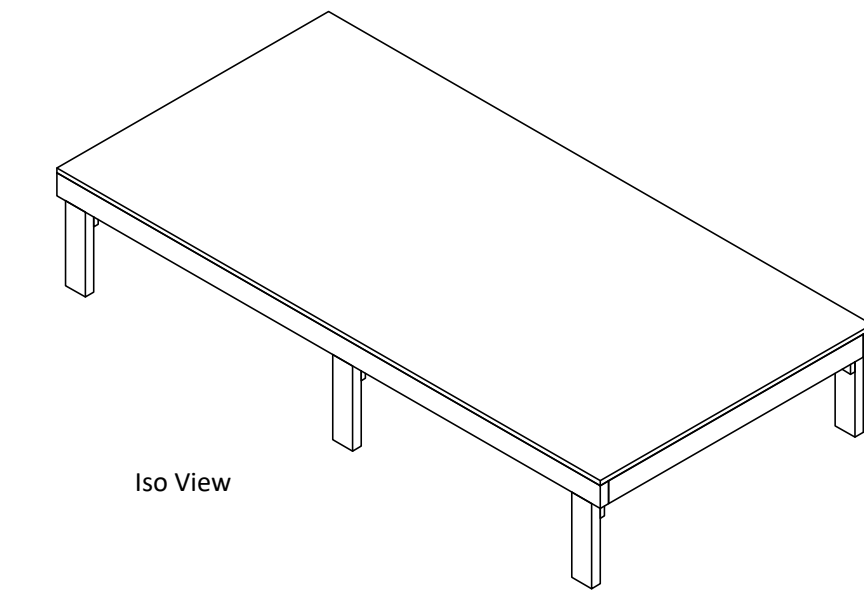
4 E29 Long Legs- Scale: 3" = 1'-0"
Build 3 from 2x4 and 3/4" Plywood. Glue All.



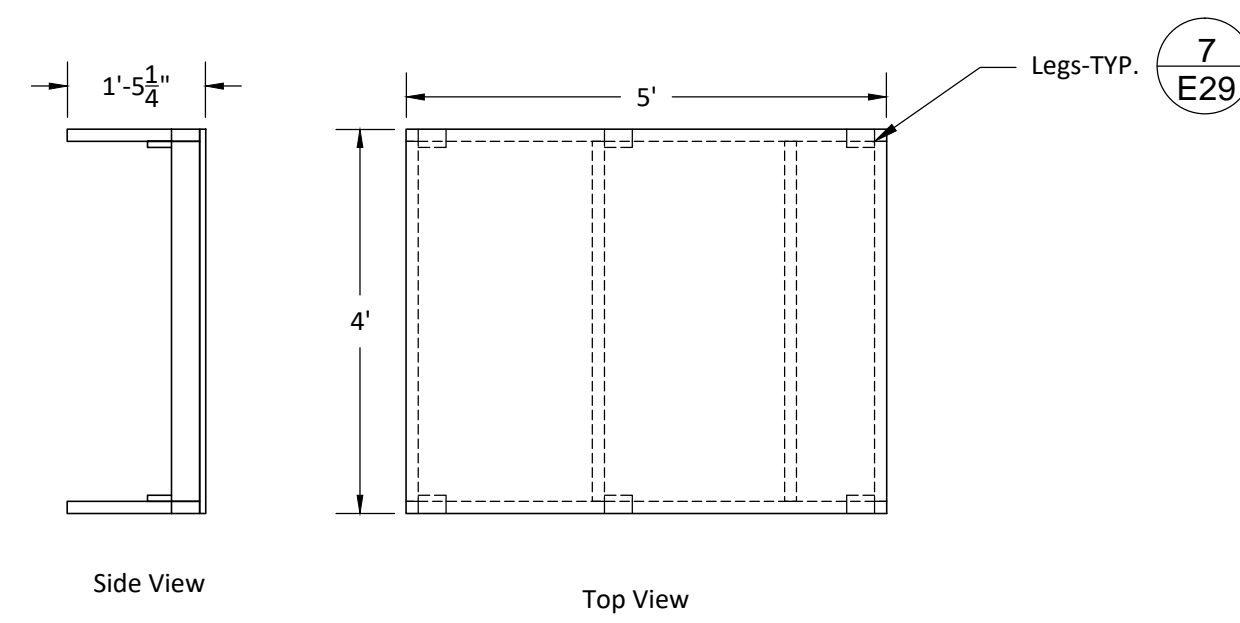
5 E29 DS Stock Platform- Scale: 1/2" = 1'-0"
Pull the best 4 from storage. Ensure construction as indicated due to light hole. Attach legs as indicated with glue and screws.



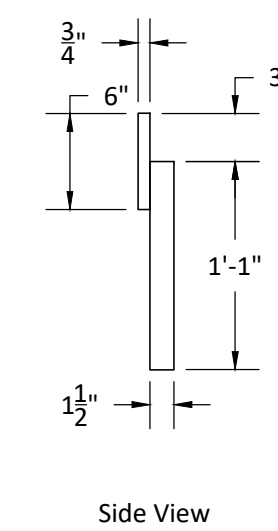
10 E29 Fire Break- Scale: 1/2" = 1'-0"
Build 6 from 3/4" CDX Plywood. Cut Angles and Label.



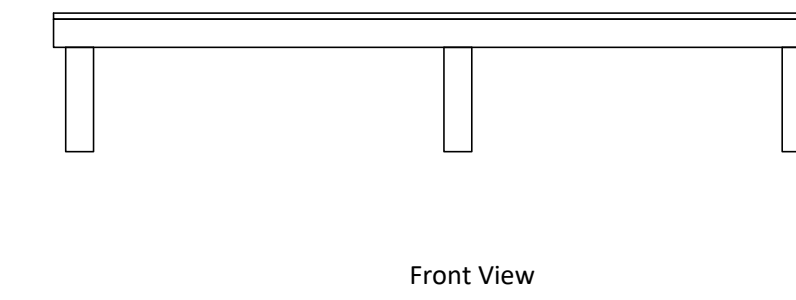
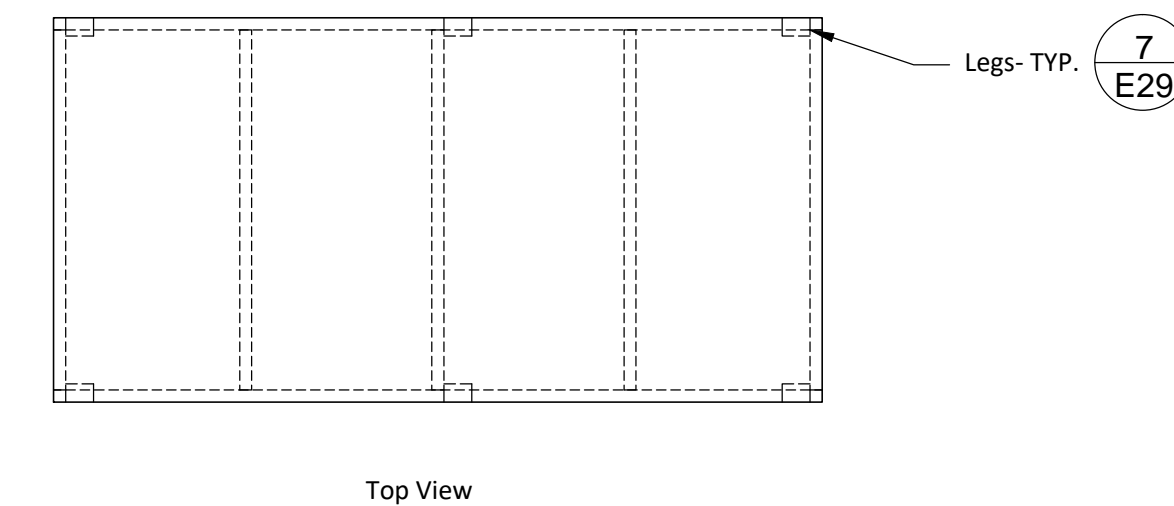
6 E29 Up Stage Custom Platform Frame- Scale: 1/2" = 1'-0"
Build 2 from 2x4. Glue and Framing Nail.



7 E29 Down Stage Custom Platform Deck- Scale: 1/2" = 1'-0"
Deck 1, R&R 1 for SR with 3/4" CDX Plywood. Glue and Screw.



8 E29 Upstage Compression Legs- Scale: 1" = 1'-0"
Build 36 from 2x4 and 3/4" Plywood. Glue All.



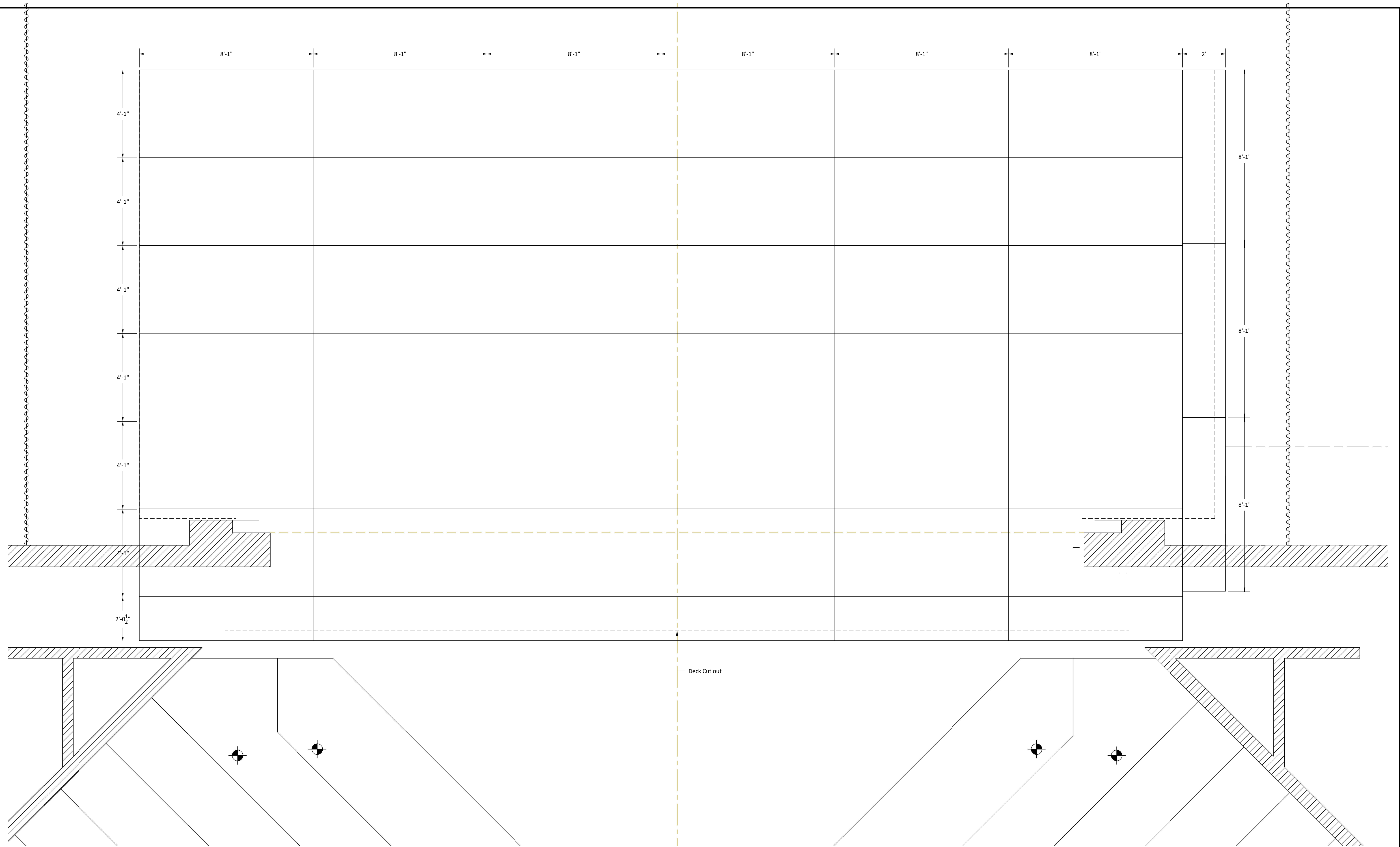
9 E29 Up Stage Stock Platform- Scale: 1/2" = 1'-0"
Pull the best 4 from storage. Attach legs as indicated with glue and screws.



Evita

Deck Platforms

Director: D.Razze	Designer: S.TenEyck	DWG #: E29
Tech Director: Aaron Mayer	Drafted By: A.Mayer	
DWG Date: 5/29/2017	REV Date:	

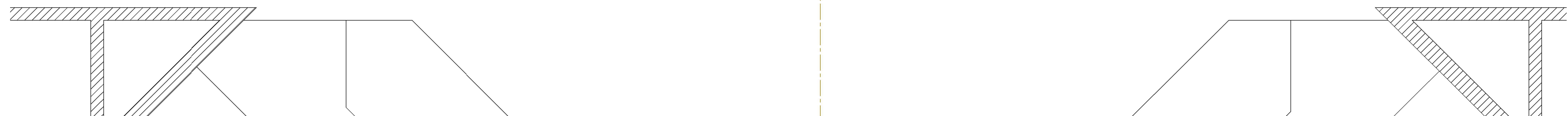
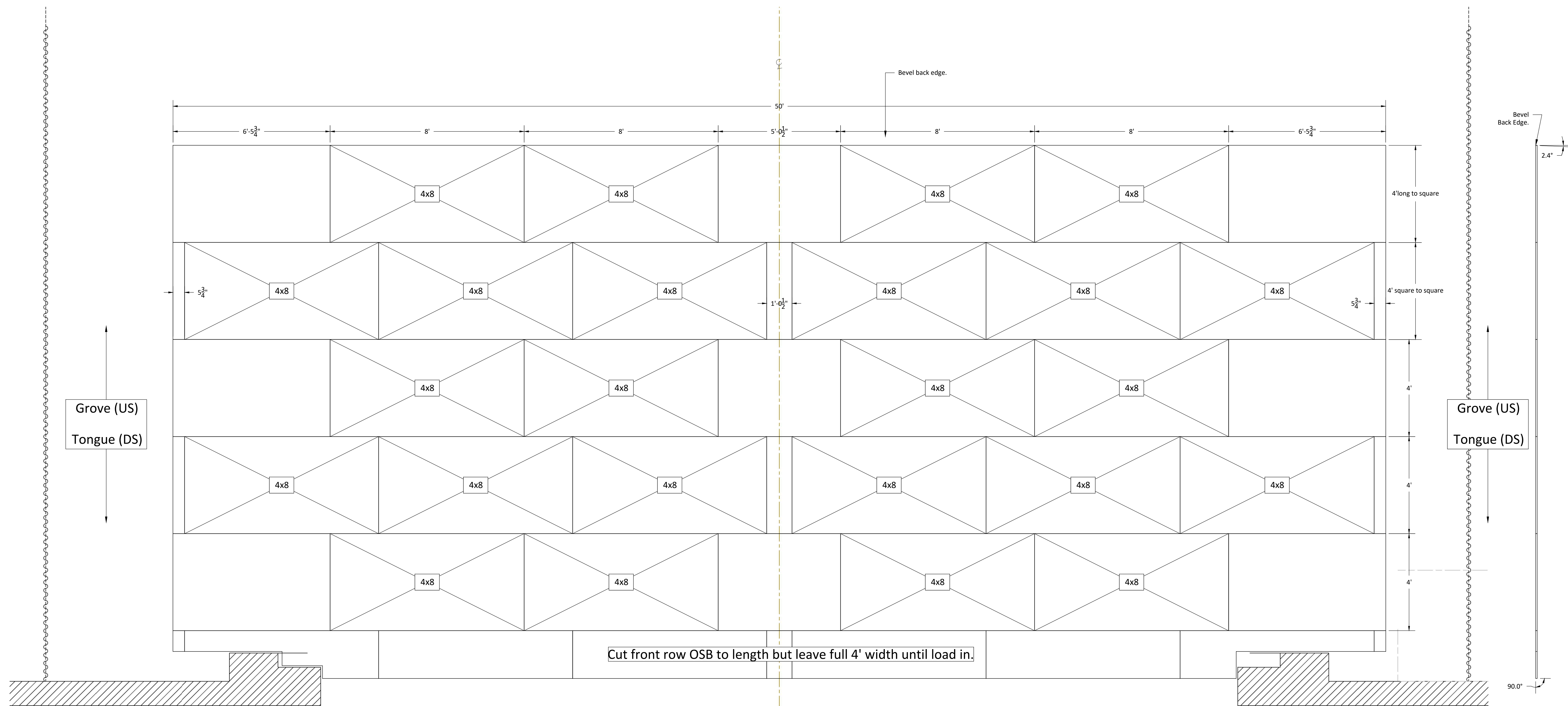


Evita

Deck MDF Layout

Director: D.Razze	Designer: S.TenEyck
Tech Director: Aaron Mayer	Drafted By: A.Mayer
DWG Date: 5/29/2017	REV Date:
Scale: 1/2" = 1'-0"	

DWG #:
E30

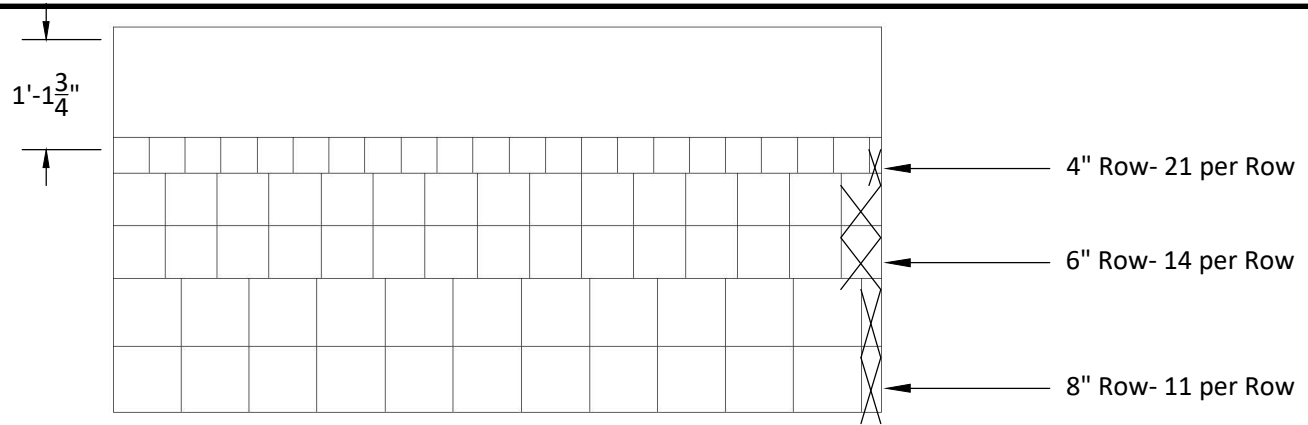


Evita

Deck OSB Cuts

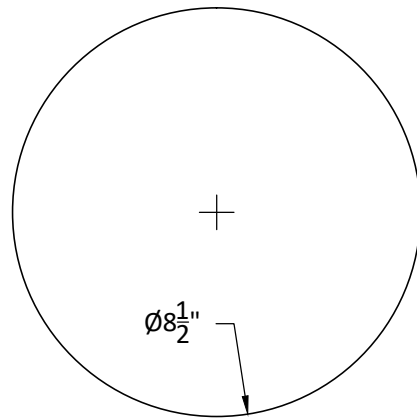
Director: D.Razze	Designer: S.TenEyck
Tech Director: Aaron Mayer	Drafted By: A.Mayer
DWG Date: 5/31/2017	REV Date: Scale: 1/2"=1'-0"

DWG #: **E31**

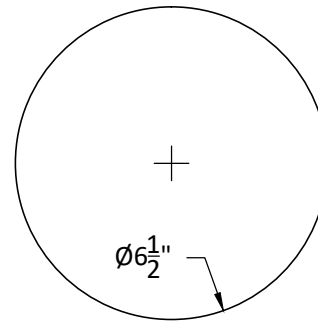


1 Suggested Sheet Layout- Scale: $\frac{1}{2}$ " = 1'-0"

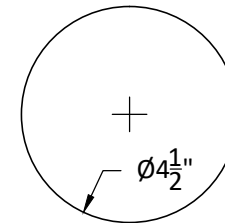
E32 Use Material in most efficient way possible.



Build 15



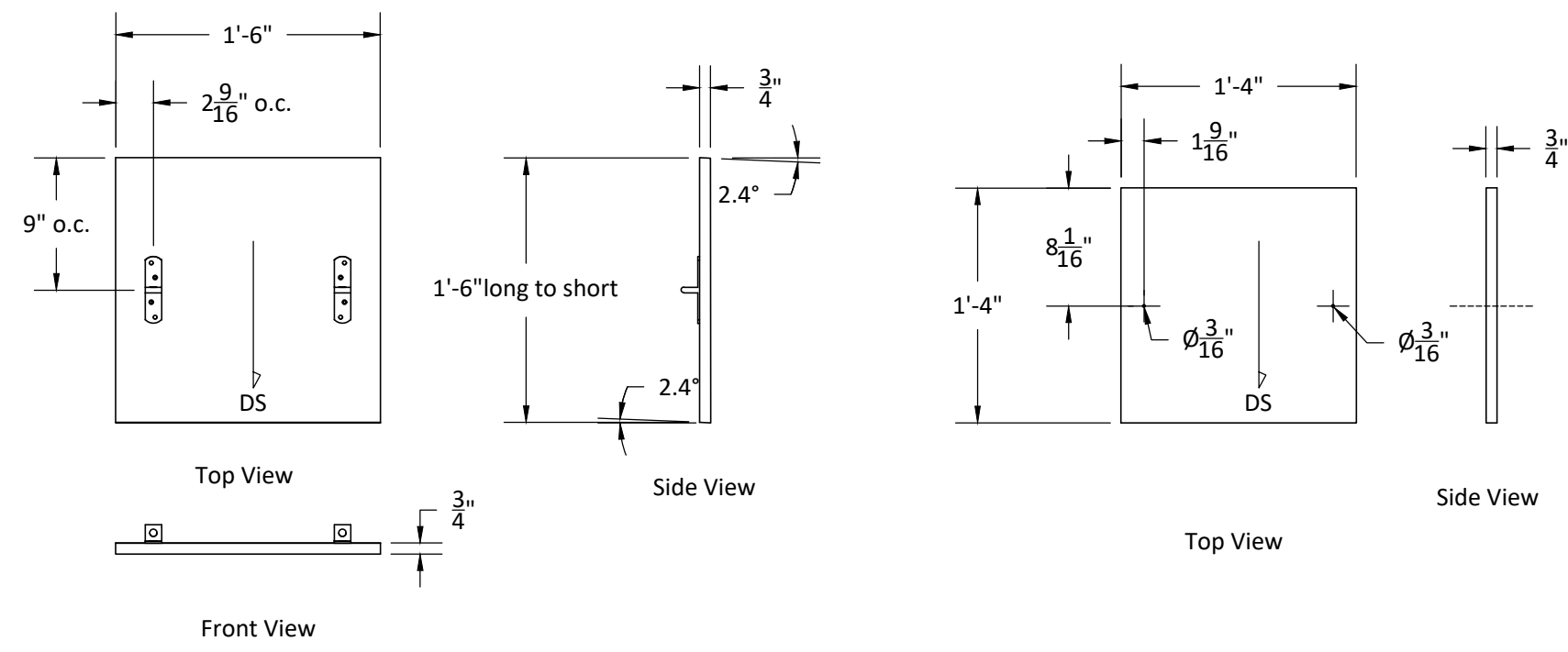
Build 24



Build 13

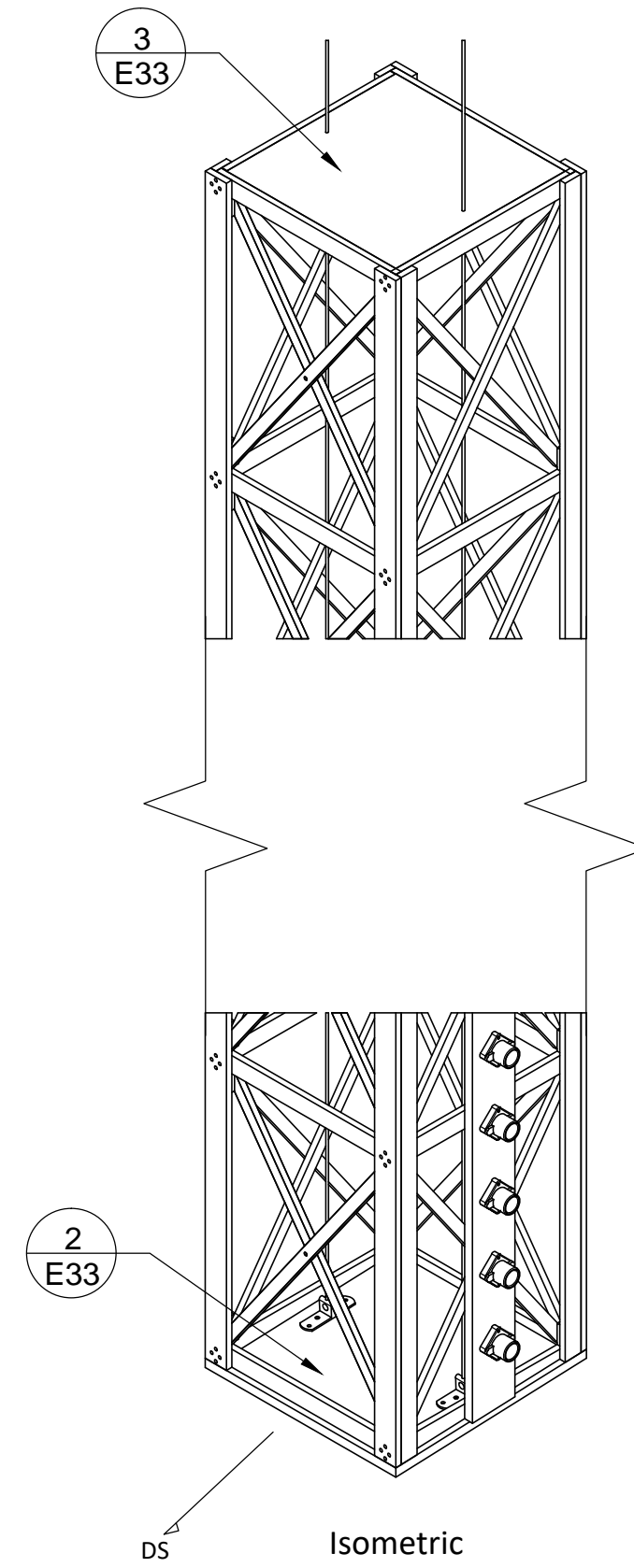
2 Plexi Discs- Scale: 3" = 1'-0"

E32 Build as indicated for each size.
Cut square blanks and then cut circles on bandsaw,
DO NOT remove protective covering.

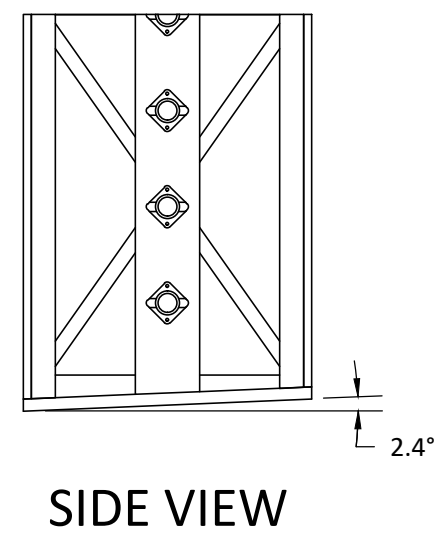


2
E33 Bottom Rigging Plate- Scale: 1" = 1'-0"
Build 2 using $\frac{3}{4}$ " MDF and Shackle Plates.
Note Angles.
Screw to bottom of truss AFTER Paint.

3
E33 Top Rigging Plate- Scale: 1" = 1'-0"
Build 2 using $\frac{3}{4}$ " MDF.
Drill Holes, Must fit inside truss box.
Screw inside top of truss AFTER Paint.

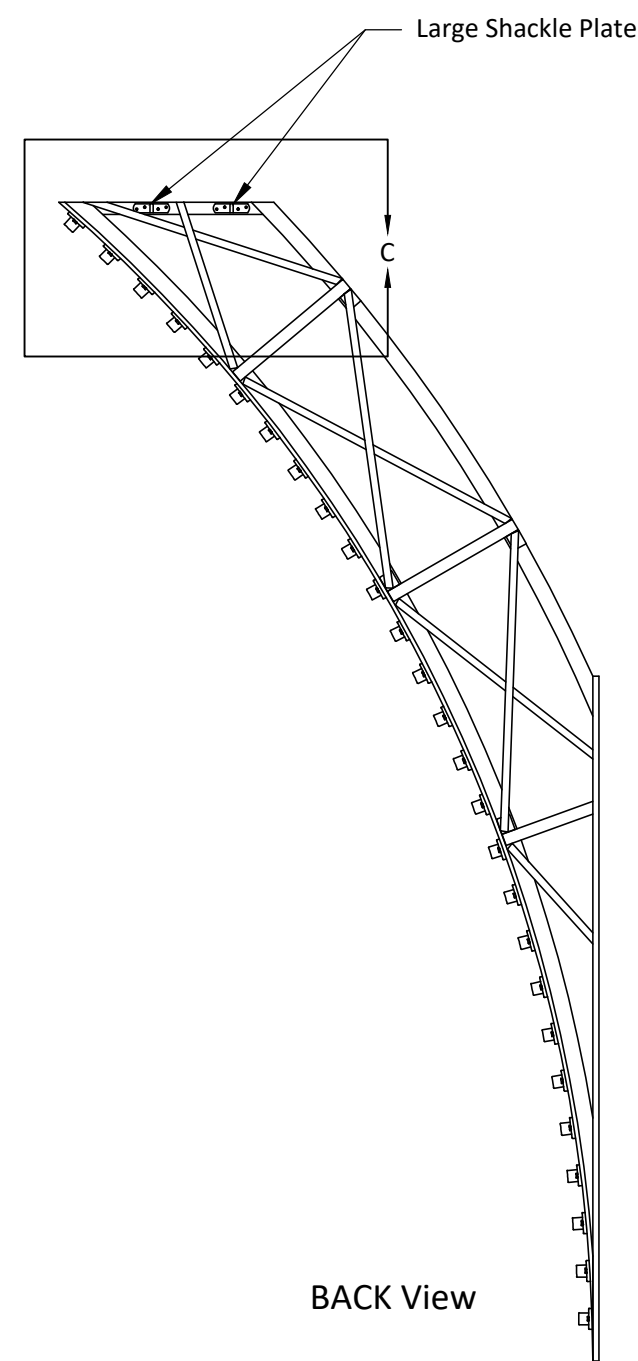


1
E33 DS Truss Leg Rigging Install- Scale: 1" = 1'-0"
Install as shown with glue and MDF Screws.

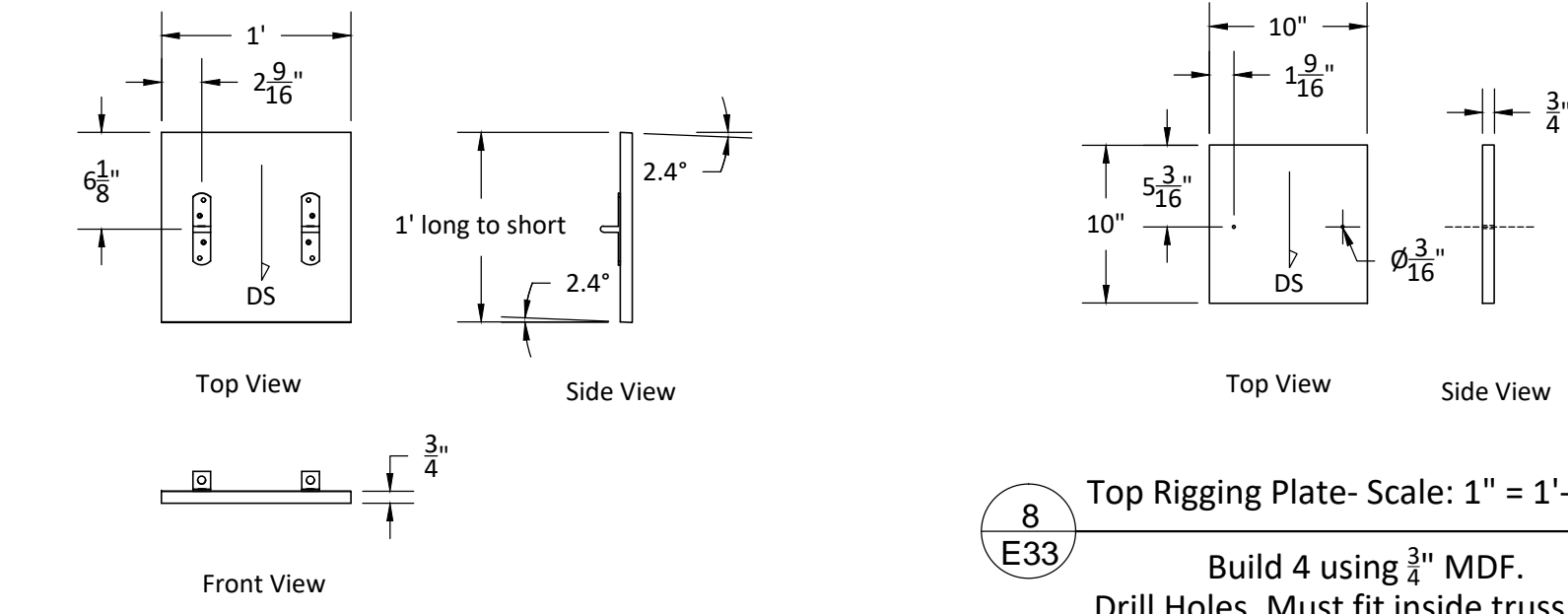
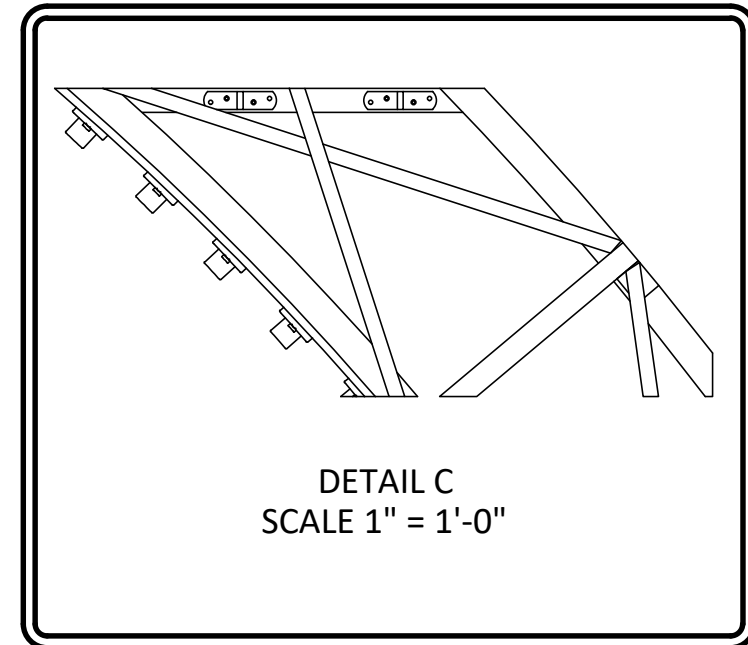


5
E33 Tower Counter Rake- Scale: 1" = 1'-0"
Cut counter rake at bottom of towers.
Use track saw and digital bevel gauge.

Downstage Truss Rigging Hardware		
Label	Length	Notes
Truss Legs- $\frac{1}{8}$ " ACC	4 @ 21'-6 $\frac{3}{4}$ "	Finished Length at install.
Truss Arches- Rigging Chain	4 @ 4"	Will shackle to shackle plate
$\frac{3}{8}$ " Turnbuckles	N/A	8 units
$\frac{1}{4}$ " Shackles	N/A	12 pcs
Rigging Chain at batten	N/A	8 pcs

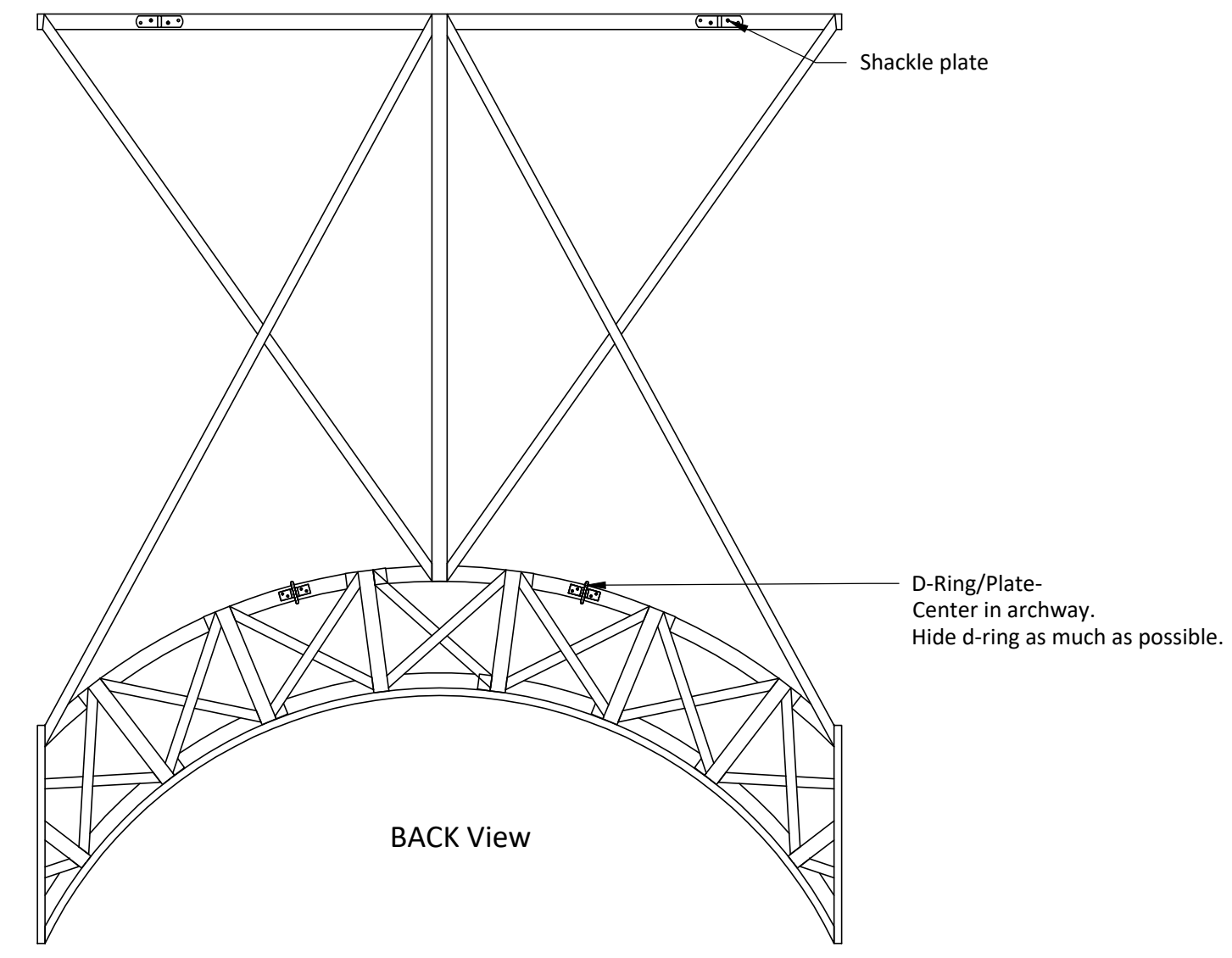


4
E33 DS Truss Arch Rigging Install- Scale: $\frac{1}{2}$ " = 1'-0"
Install shackle plates as shown, through bolt.

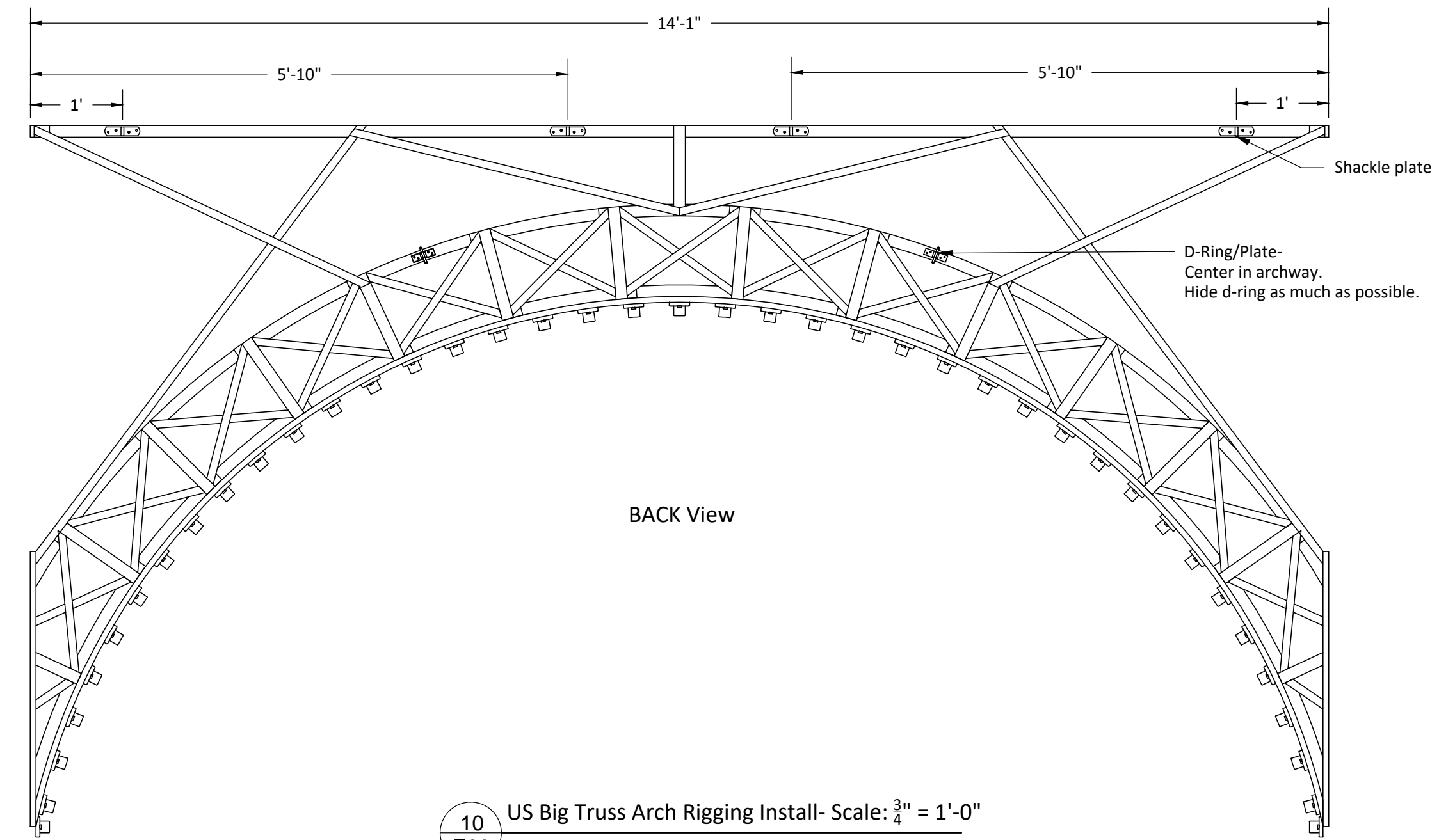


7
E33 Bottom Rigging Plate- Scale: 1" = 1'-0"
Build 4 using $\frac{3}{4}$ " MDF and Shackle Plates.
Note Angles.
Screw to bottom of truss AFTER Paint.

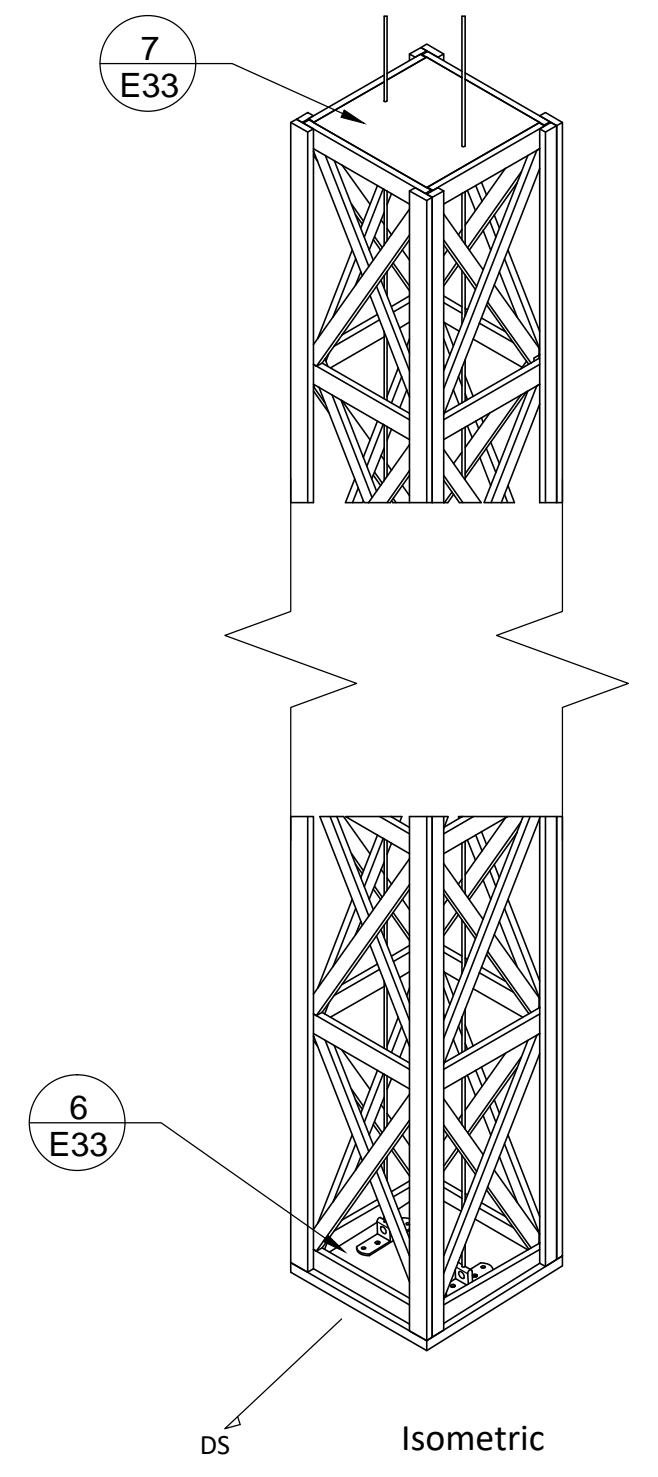
8
E33 Top Rigging Plate- Scale: 1" = 1'-0"
Build 4 using $\frac{3}{4}$ " MDF.
Drill Holes, Must fit inside truss box.
Screw inside top of truss AFTER Paint.



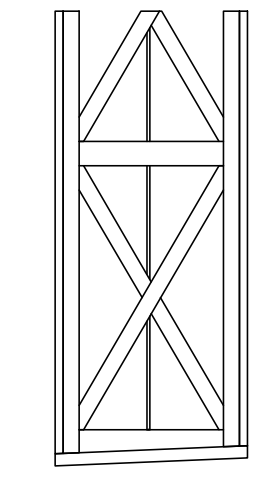
9
E33 US Small Truss Arch Rigging Install- Scale: $\frac{3}{4}$ " = 1'-0"
Install shackle plates and D-Ring/Plates as shown, through bolt.



10
E33 US Big Truss Arch Rigging Install- Scale: $\frac{3}{4}$ " = 1'-0"
Install shackle plates and D-Ring/Plates as shown, through bolt.



6
E33 DS Truss Leg Rigging Install- Scale: 1" = 1'-0"
Install as shown with glue and MDF Screws.



11
E33 Tower Counter Rake- Scale: 1" = 1'-0"
Cut counter rake at bottom of towers.
Use track saw and digital bevel gauge.

Upstage Truss Rigging Hardware		
Label	Length	Notes
Truss Legs- $\frac{1}{8}$ " ACC	8 @ 18'-8 $\frac{3}{8}$ "	Finished length at install.
Small Truss Arches- $\frac{1}{8}$ " ACC	4 @ 5'-9 $\frac{1}{2}$ "	Finished length at install.
Big Truss Arches- $\frac{1}{8}$ " ACC	2 @ 1'-8 $\frac{5}{8}$ "	Finished length at install.
Small Truss Rigging Chain	4 @ 4"	Will shackle to shackle plate
Big Truss Rigging Chain	4 @ 4"	Will shackle to shackle plate
$\frac{3}{8}$ " Turnbuckles	N/A	22 pcs
$\frac{1}{4}$ " Shackles	N/A	44 pcs
Rigging Chain at batten	N/A	22 pcs

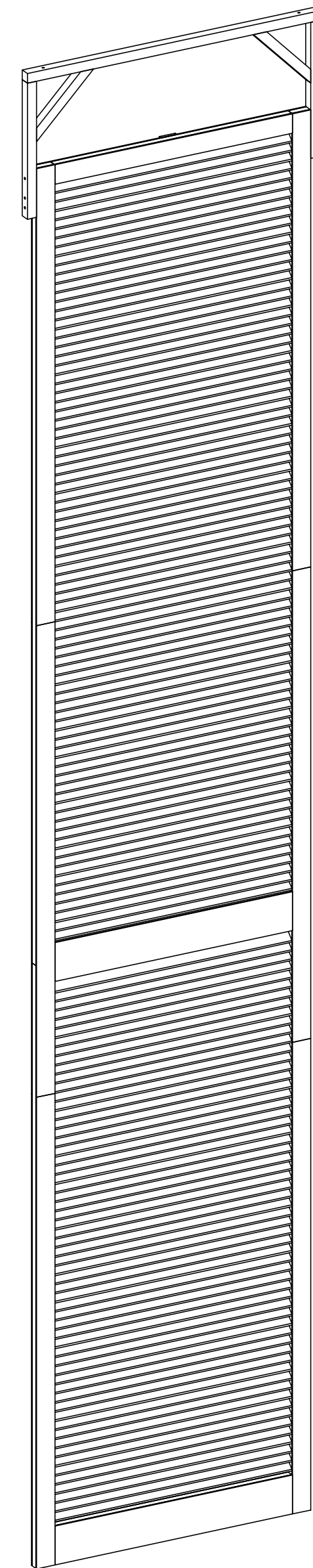


Evita

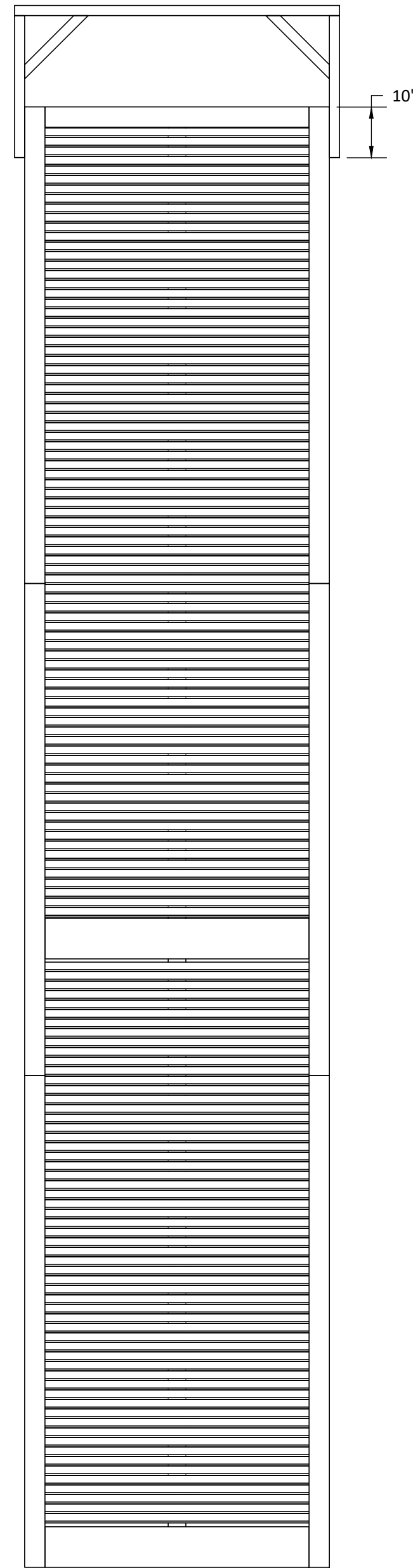
Truss Rigging

Director: D.Razze	Designer: S.TenEyck
Tech Director: Aaron Mayer	Drafted By: A.Mayer
DWG Date: 5/30/2017	REV Date:
Scale: As Noted	

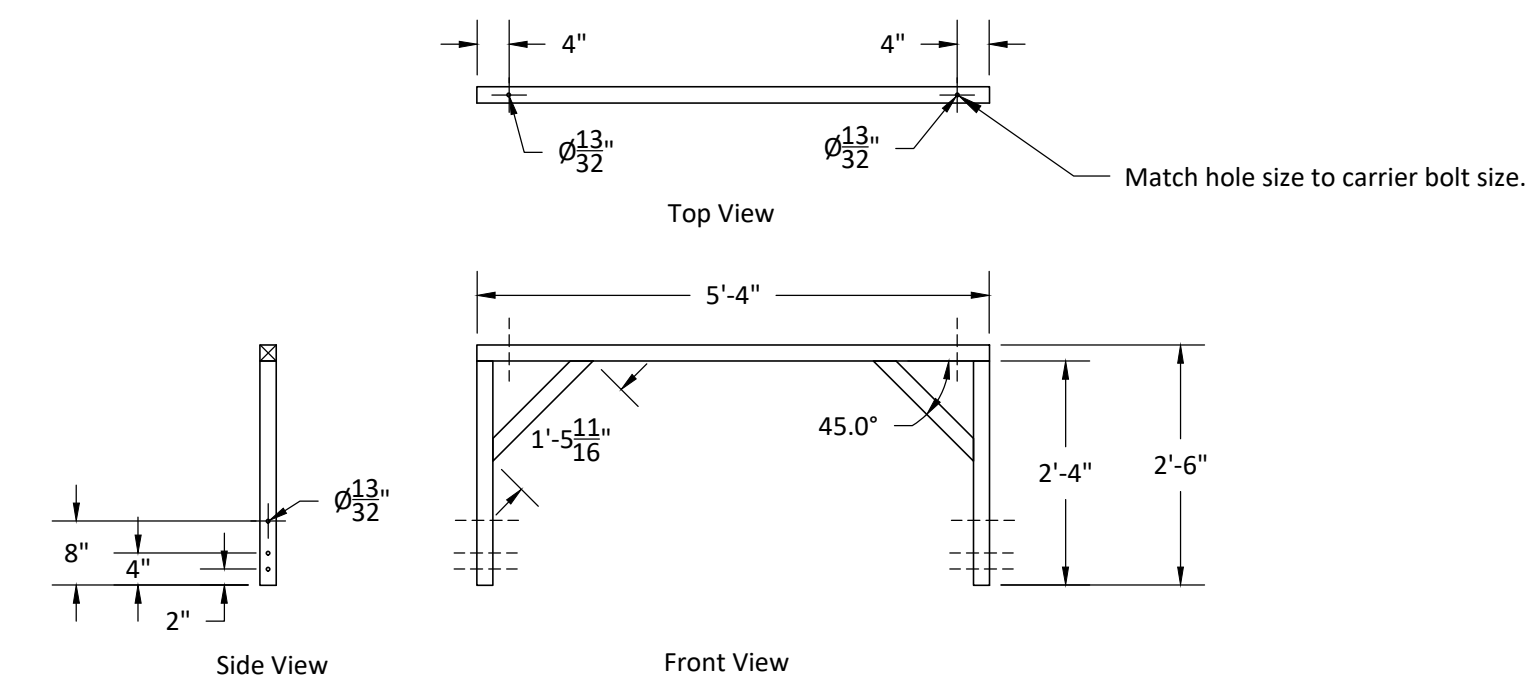
DWG #:
E33



1
E34 Slider Iso



2
E34 Rigging Frame Install- Scale: $\frac{1}{2}'' = 1'-0''$
Install as indicated with $\frac{3}{8}'' \times 4''$ Lag Bolts.
Pre-Drill!



3
E34 Rigging Frame- Scale: $\frac{1}{2}'' = 1'-0''$
Build 6 from 2" Box Tube. Weld all around.

Slider Rigging Hardware		
Item	Length	Notes
280 Series Track	2 @ 26'-0"	
280 Series Track	1 @ 22'-0"	
Track Hangers	N/A	15
Splice	N/A	1
Scenery Carriers		12- Modify with 5" long bolts
Turn Around Pulley	N/A	3
Turn Down Pulley	N/A	3
Track Stops	N/A	8

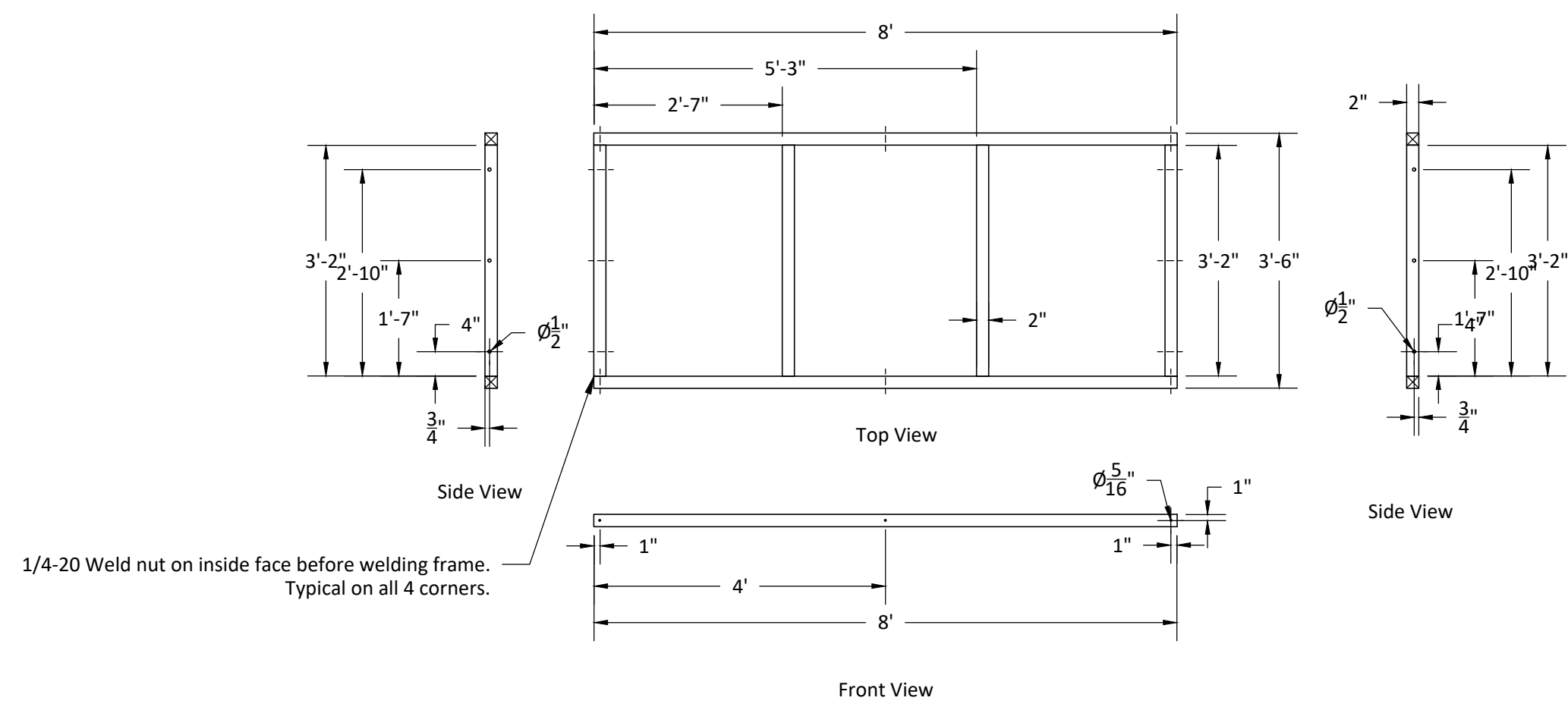


Evita

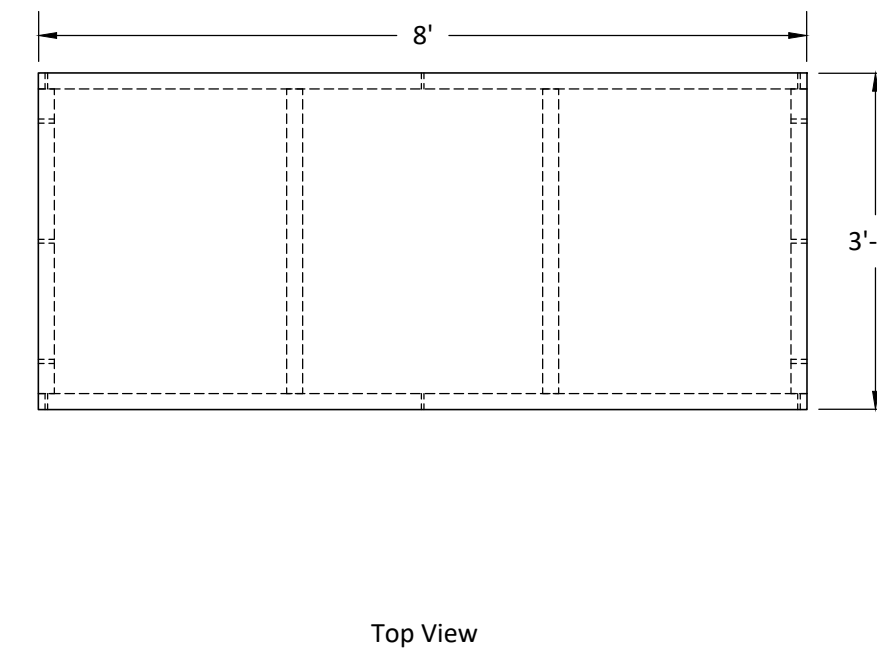
Slider Rigging

Director: D.Razze	Designer: S.TenEyck
Tech Director: Aaron Mayer	Drafted By: A.Mayer
DWG Date: 5/30/2017	REV Date: Scale: As Noted

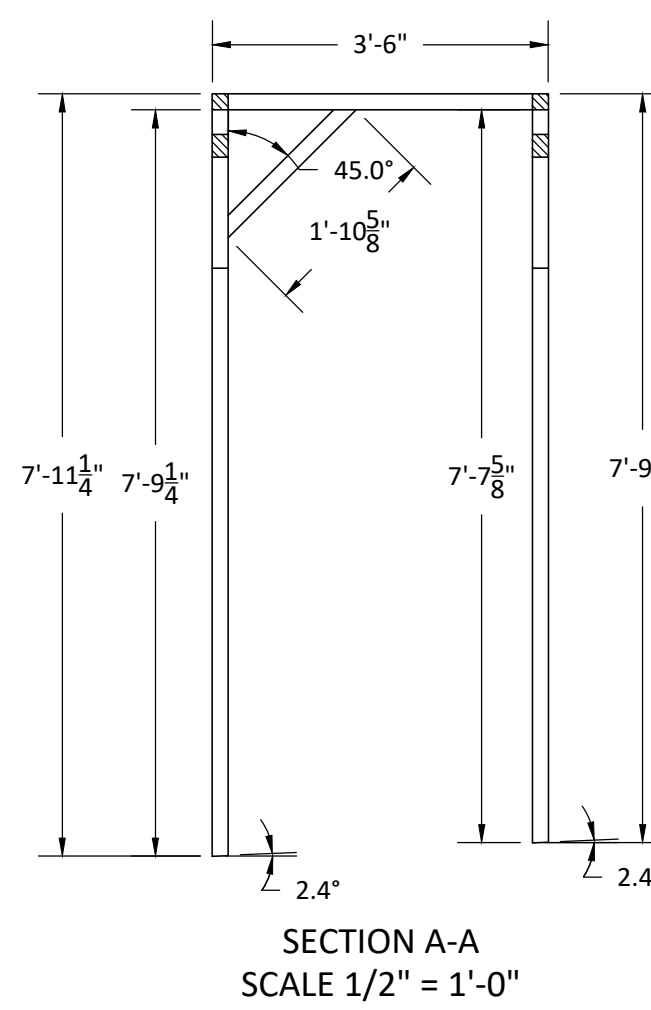
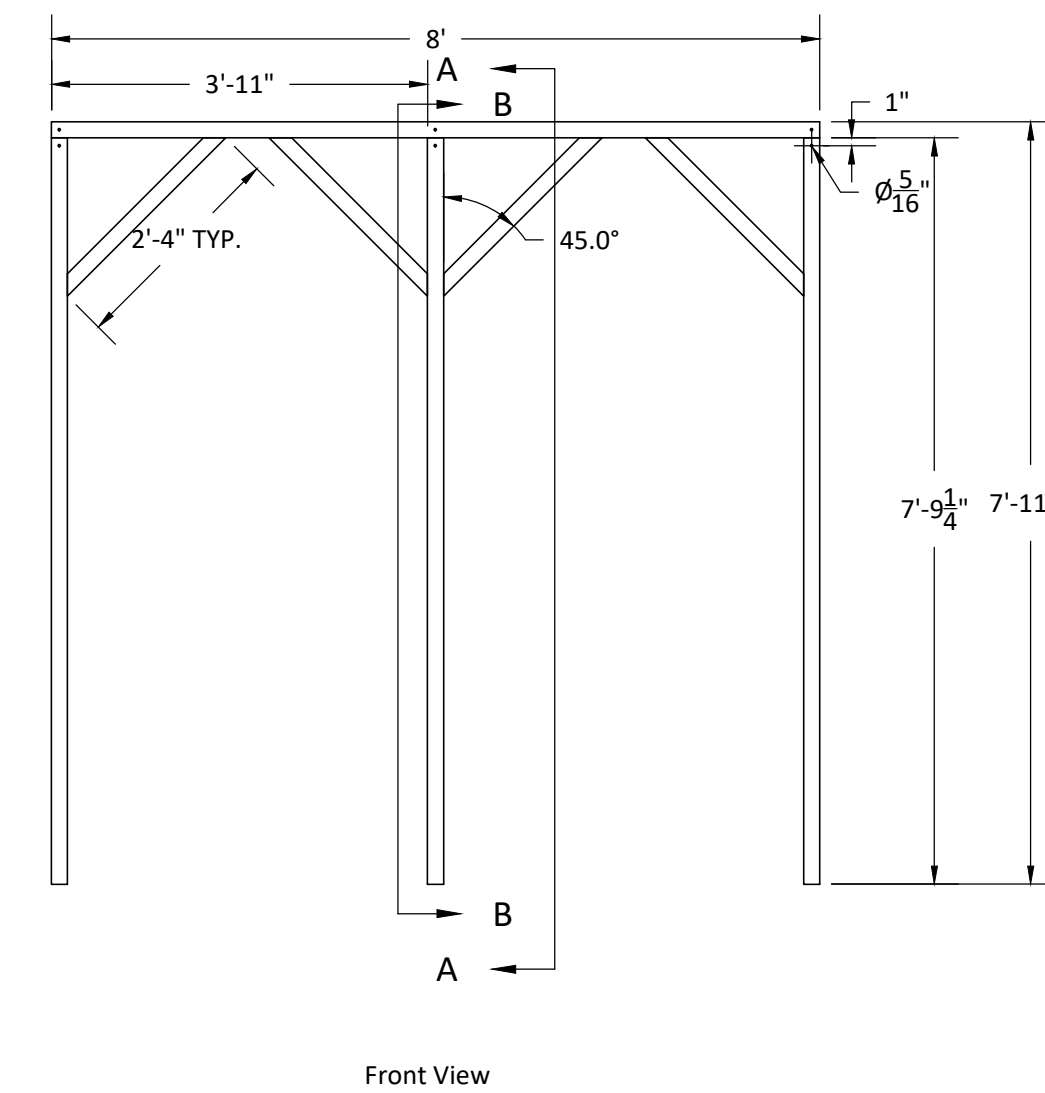
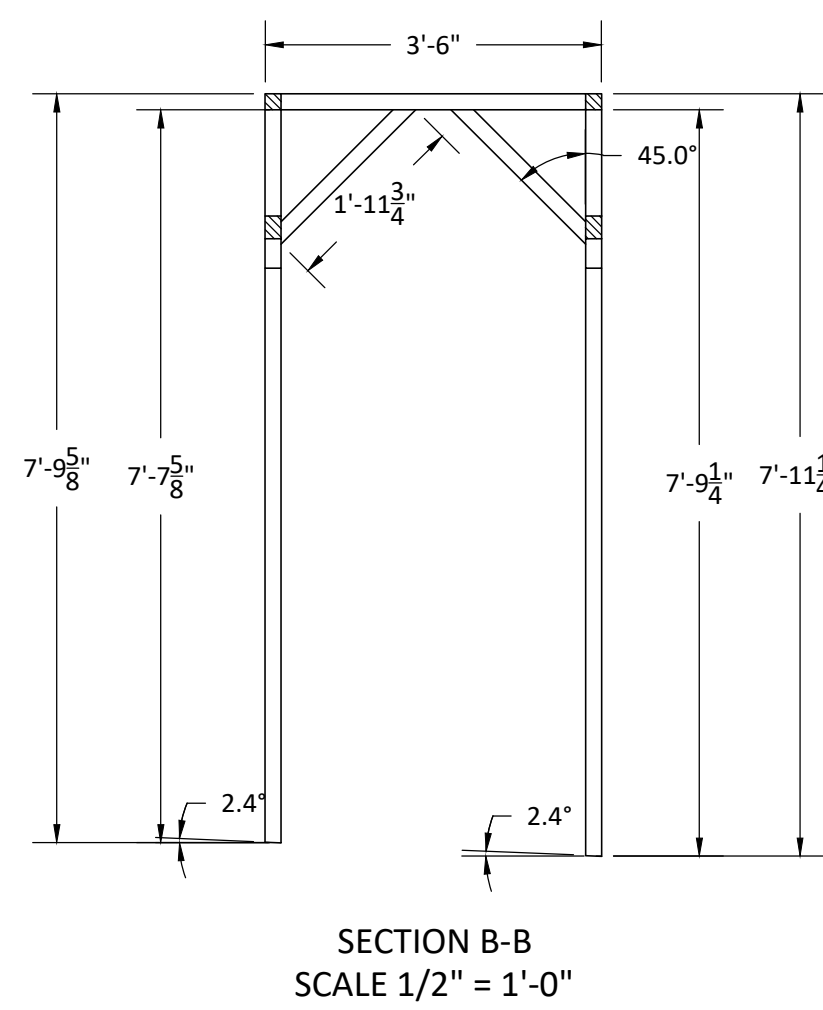
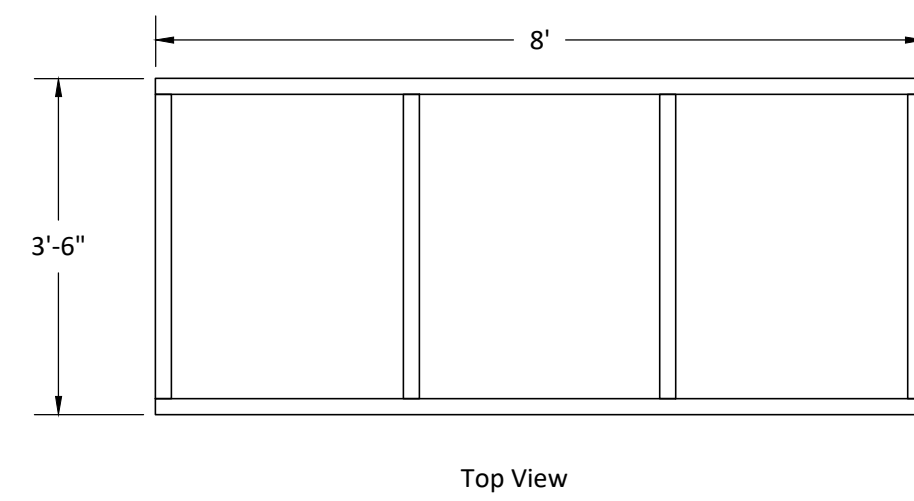
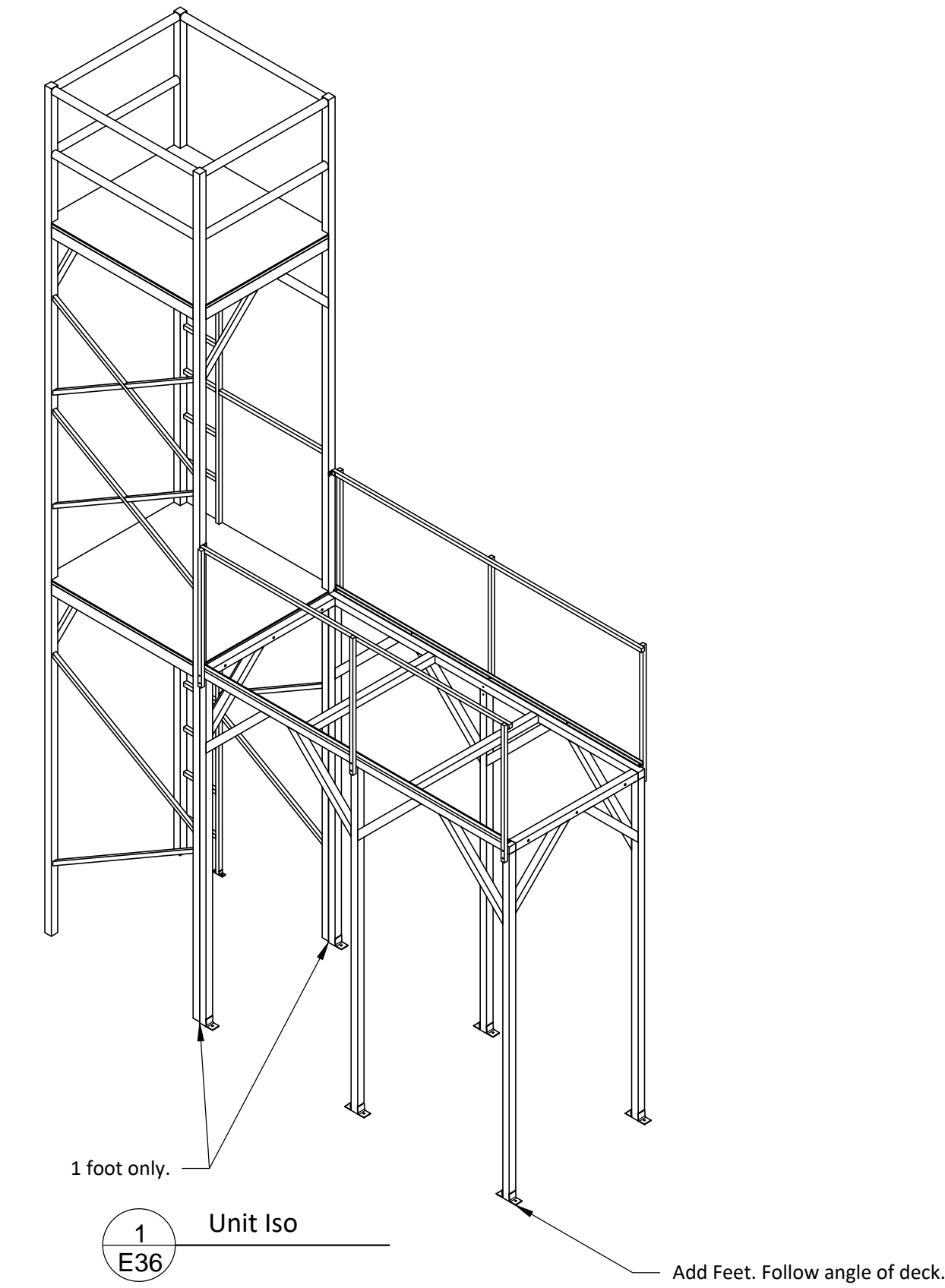
DWG #:
E34



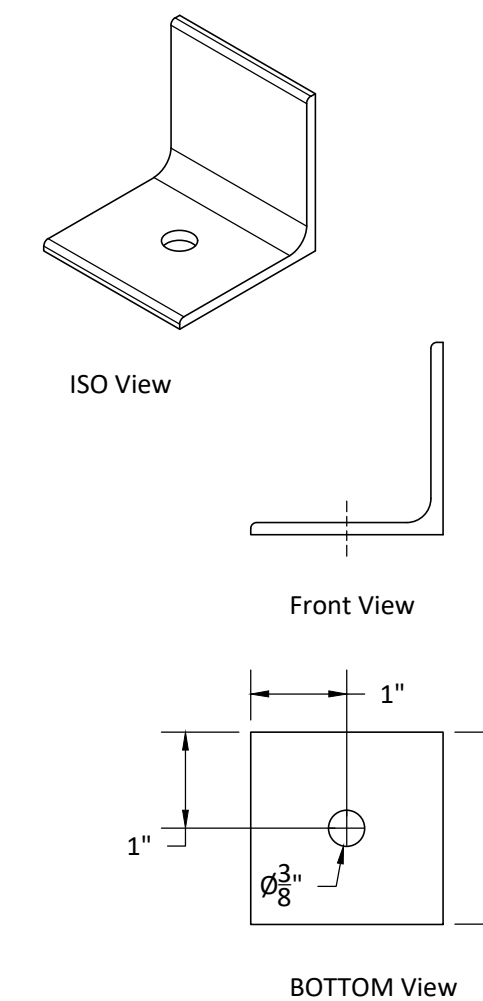
2
E36 Platform frame- Scale: 1/2" = 1'-0"
Build 1 from 2x2 box tube.
Weld on weld nuts before welding frame.
Weld fillets and perimeter faces.



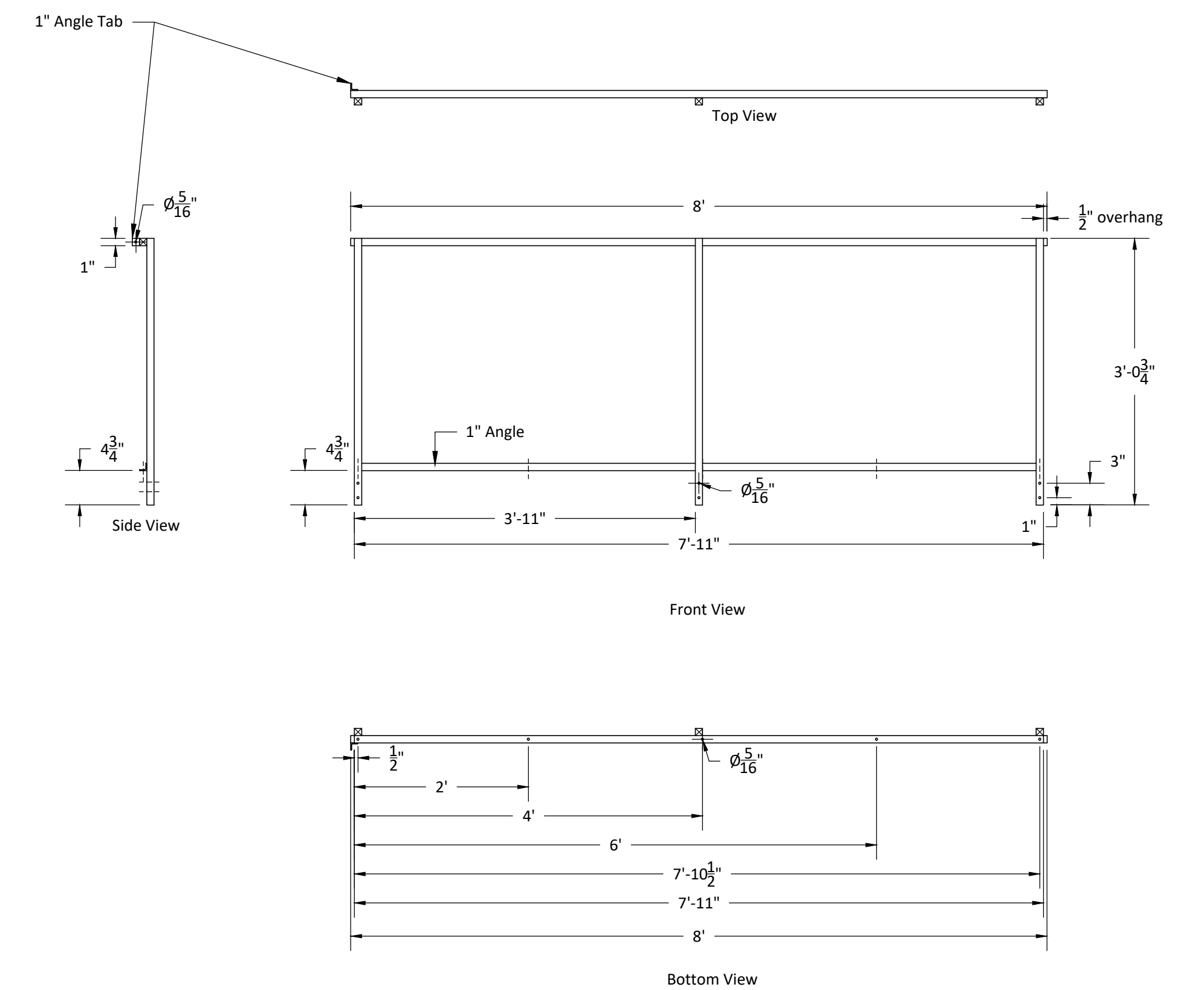
3
E36 Platform Deck- Scale: 1/2" = 1'-0"
Deck with 3/4" MDF.
Glue with construction adhesive and use Buidlex Screws.



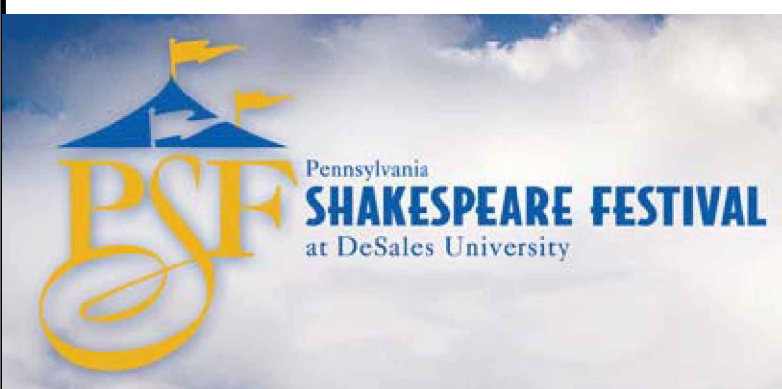
4
E36 Legs and crossbracing- Scale: 1/2" = 1'-0"
Build legs and crossbracing from 2x2 box tube.
Weld to platform frame.
Note cross bracing is different on the ends.
All Measurements are to long side of angle.



5
E36 Feet- Scale: 1/2" = 1'-0"
Build 10 from 2x2 angle iron.
Weld to legs, follow deck line.



6
E36 Handrails- Scale: 1/2" = 1'-0"
Build 1, R&R 1 from 1x1 box and 1x1 Angle.
Weld Fillets.



Evita

Stage left tower escape platform

Director: D.Razze

Designer: S.TenEyck

Tech Director: Aaron Mayer

Drafted By: A.Mayer

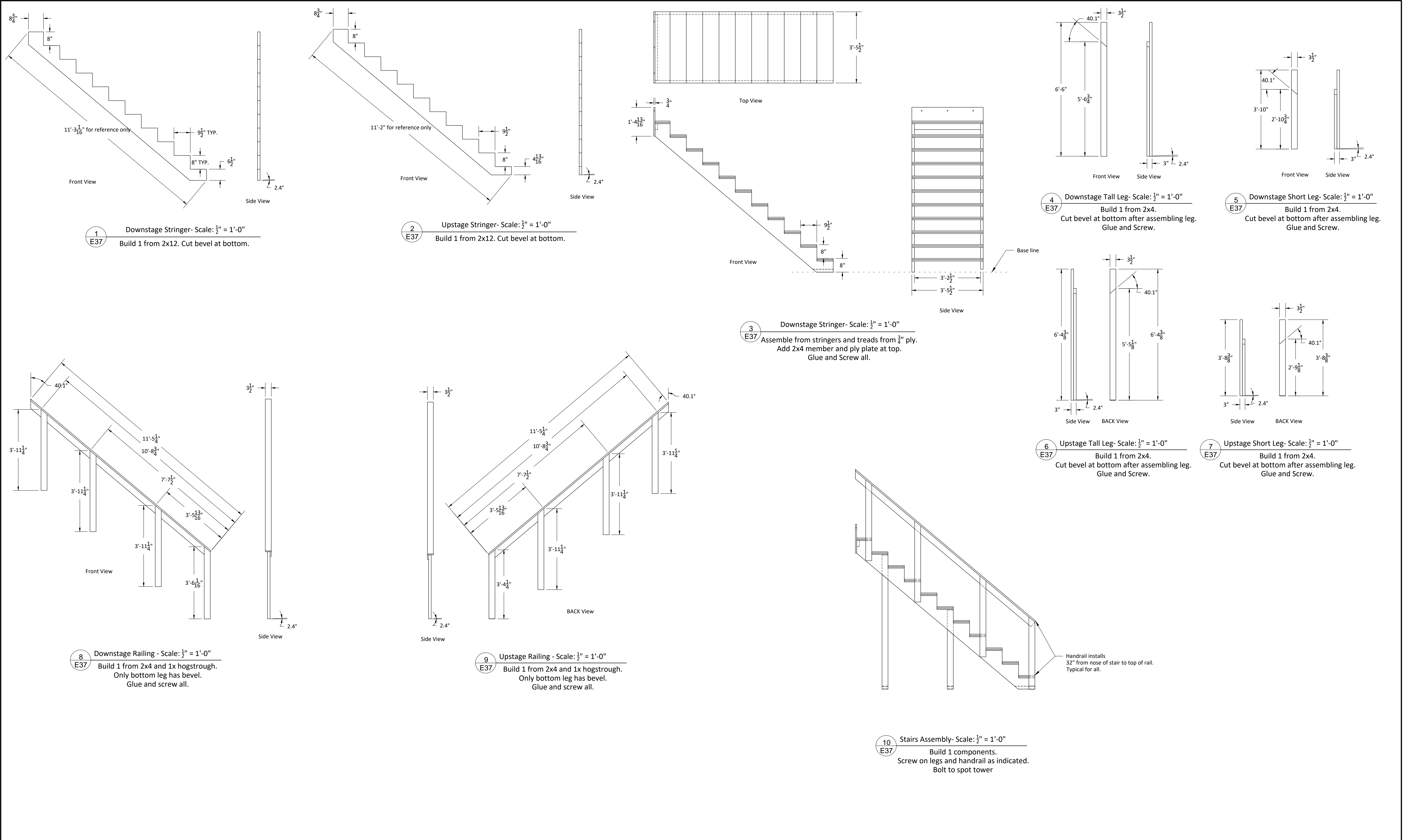
DWG Date: 6/2/2017

REV Date:

Scale: As Noted

DWG #:

E36

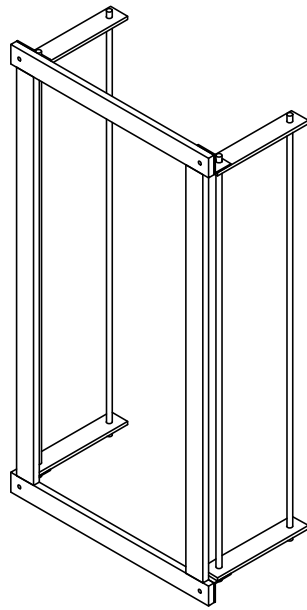


Evita

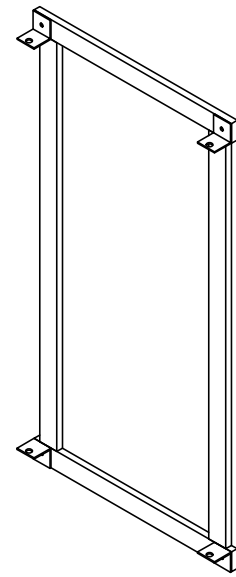
Stage left escape stairs

Director: D.Razze	Designer: S.TenEyck
Tech Director: Aaron Mayer	Drafted By: A.Mayer
DWG Date: 6/3/2017	REV Date:
	Scale: As Noted

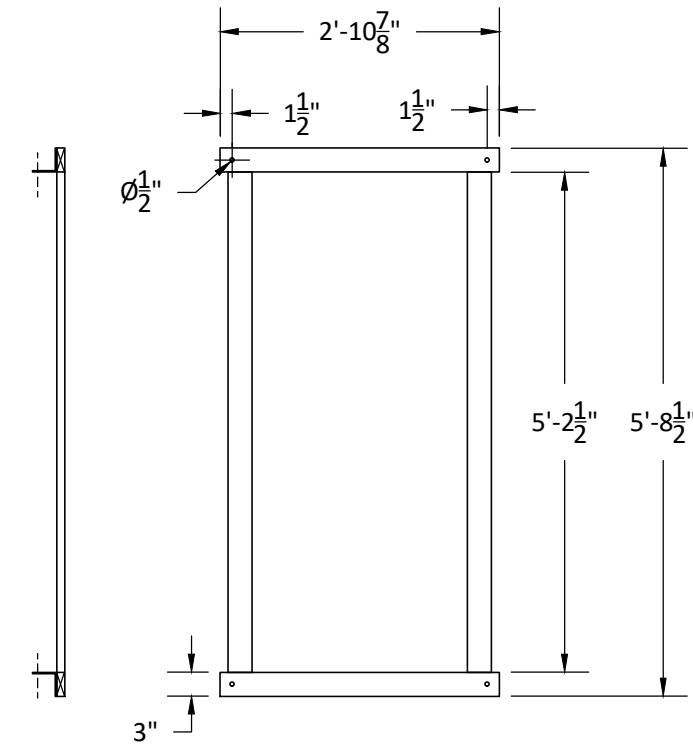
DWG #:
E37



1 Arbor Frame Iso
E38



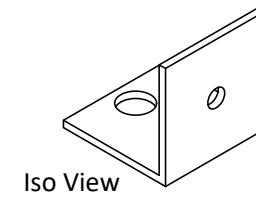
Iso View



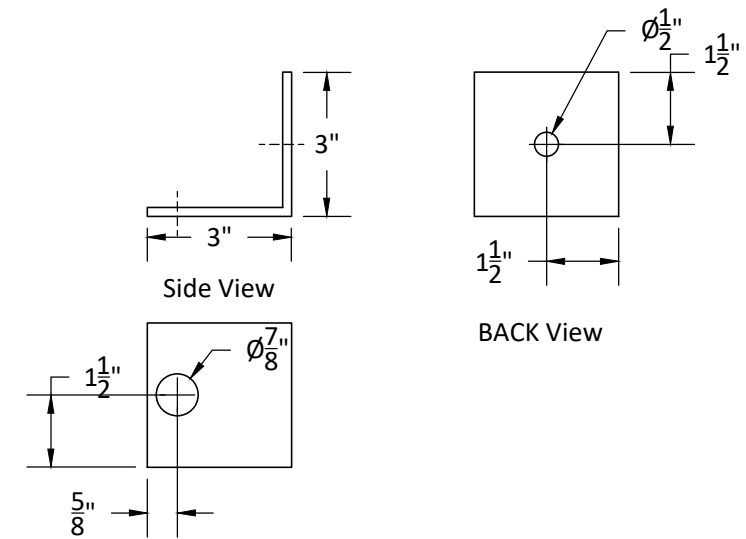
Side View

Front View

2 Arbor Frame- Scale: $\frac{1}{2}" = 1'-0"$
E38 Build 1 from 3x1 box tube and 3x3 Angle.
Weld all around.



Iso View

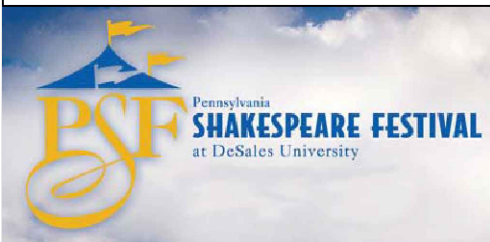


Side View

BOTTOM View

BACK View

3 Brackets- Scale: $3" = 1'-0"$
E38 Build 4 from 3x3 Angle.
Weld to frame.

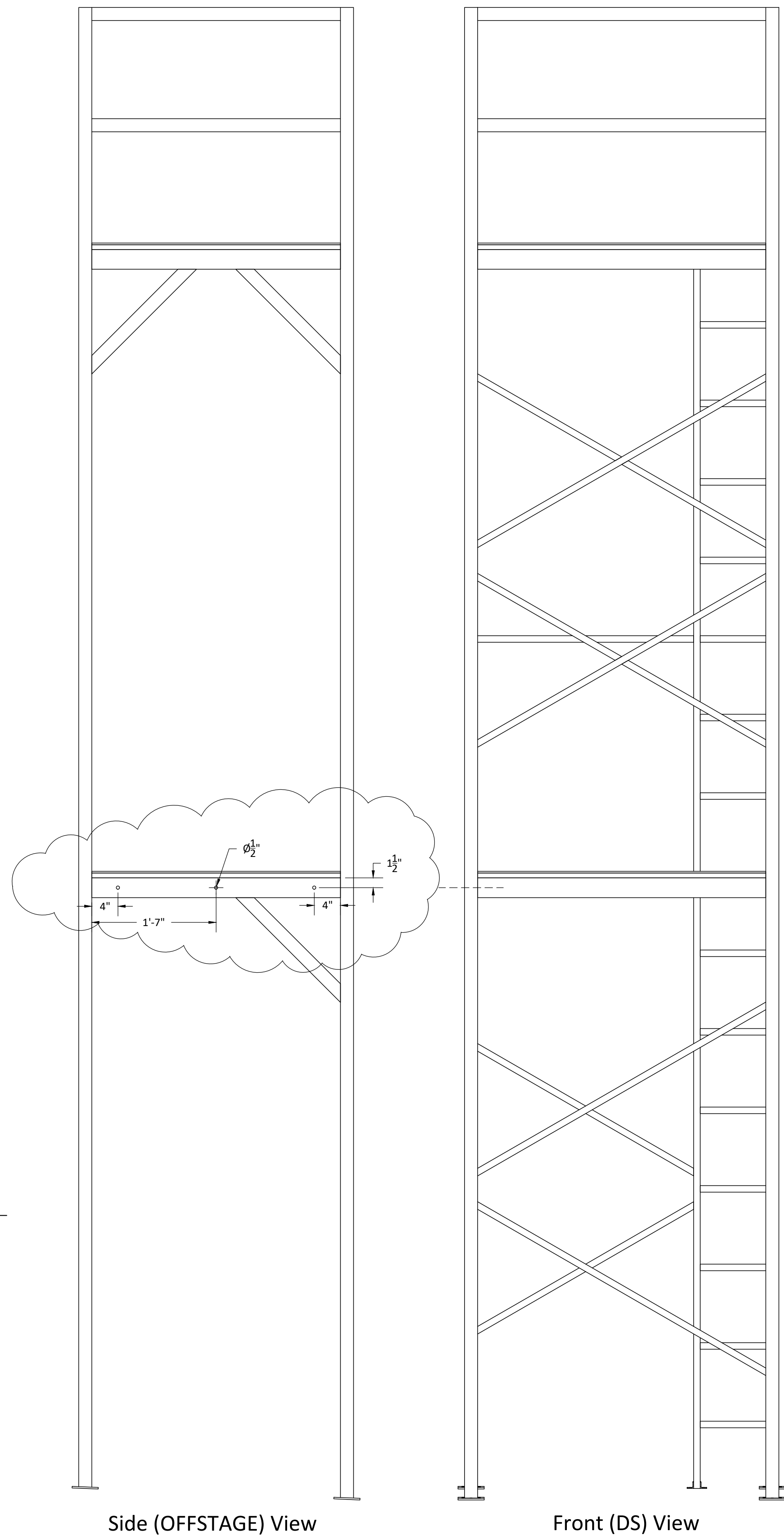


Evita

Bridge Arbor Frame

Director: D.Razze	Designer: S.TenEyck
Tech Director: Aaron Mayer	Drafted By: A.Mayter
DWG Date: 6/2/2017	REV Date: Scale: As Noted

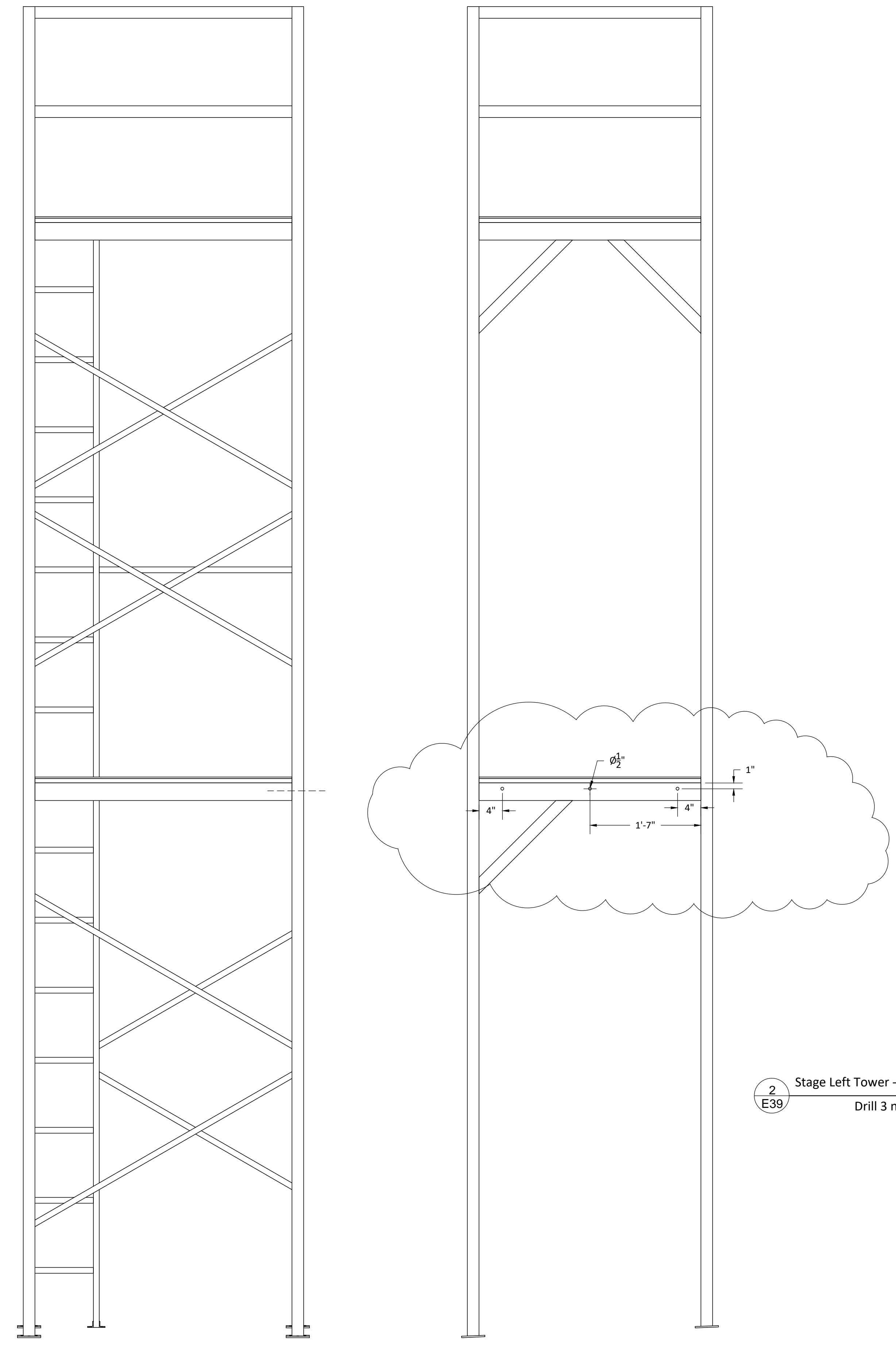
DWG #:
E38



1 Stage Right Tower - Scale: 1" = 1'-0"
E39 Drill 3 new holes.

Side (OFFSTAGE) View

Front (DS) View



2 Stage Left Tower - Scale: 1" = 1'-0"
E39 Drill 3 new holes.

Front (DS) View

Side (OFFSTAGE) View

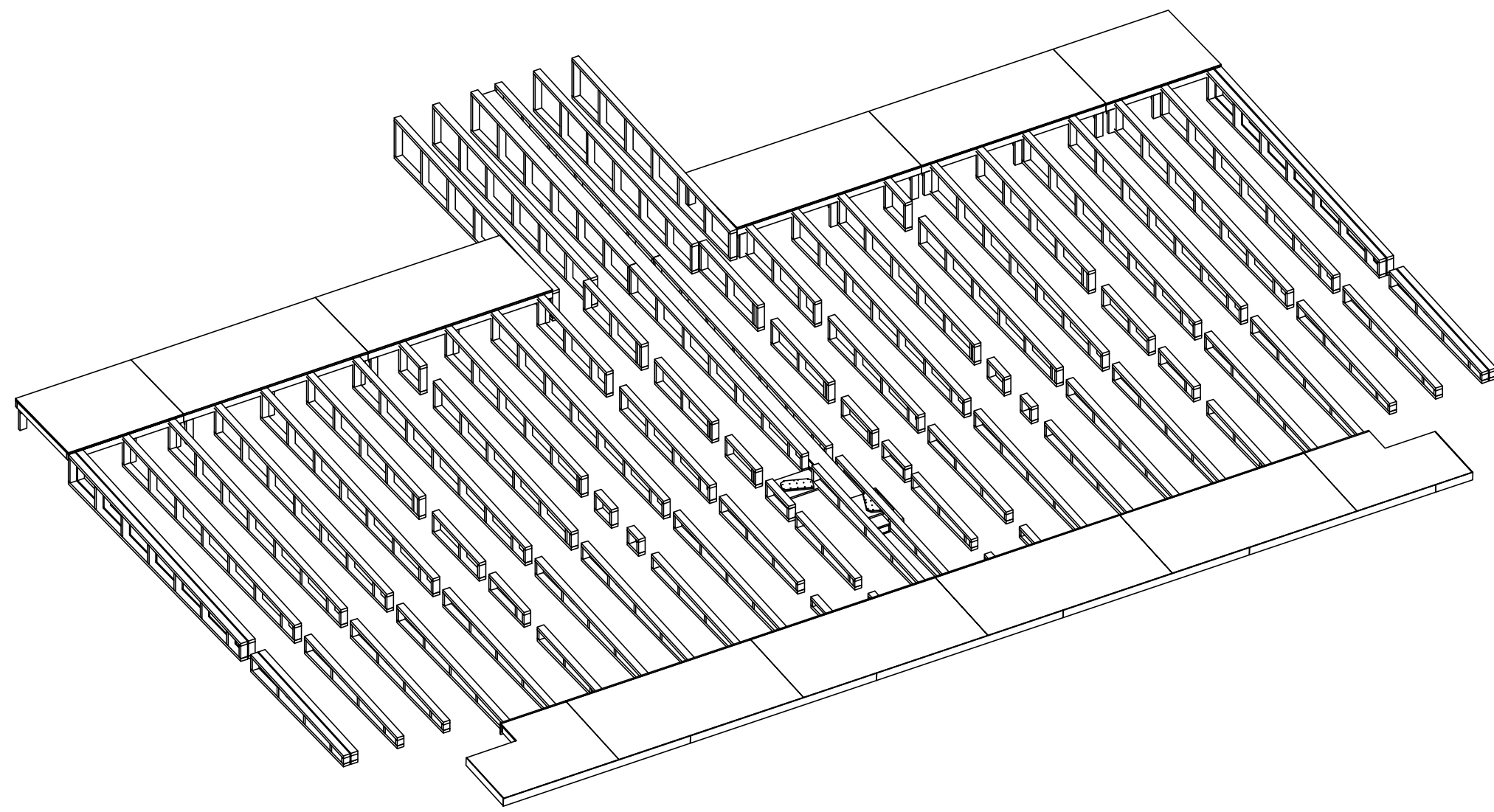


Evita

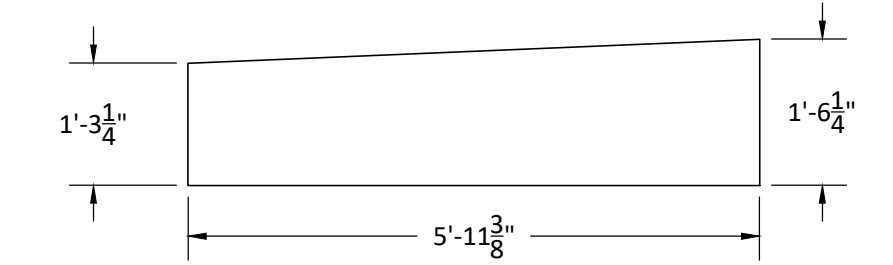
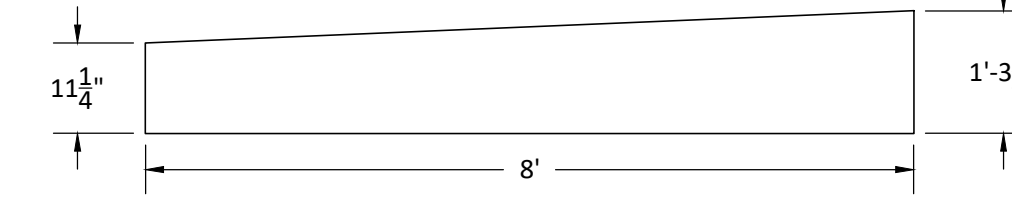
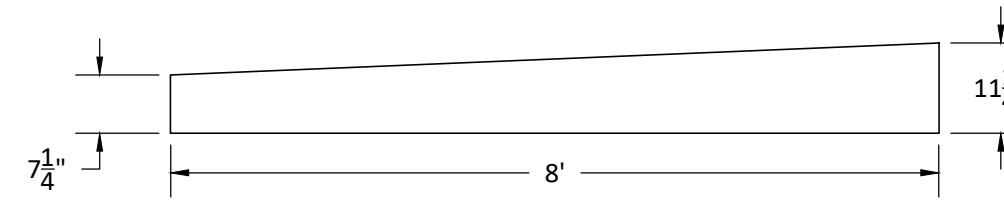
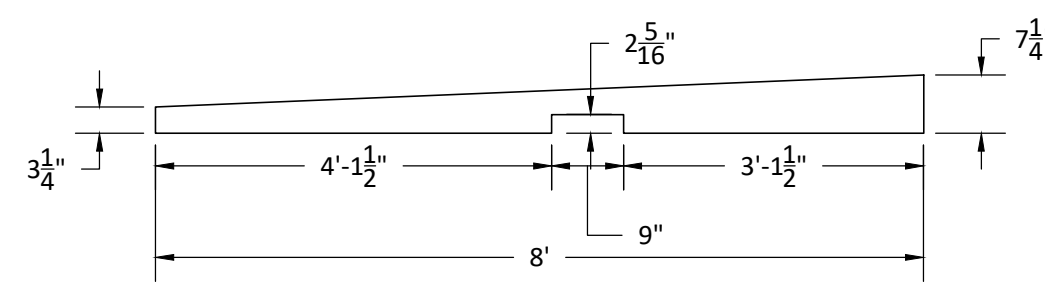
NEW Holes in Towers for escapes

Director: D.Razze	Designer: S.TenEyck
Tech Director: Aaron Mayer	Drafted By: A.Mayer
DWG Date: 6/3/2017	REV Date:
	Scale: As Noted

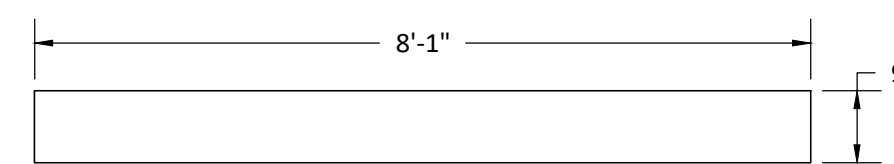
DWG #:
E39



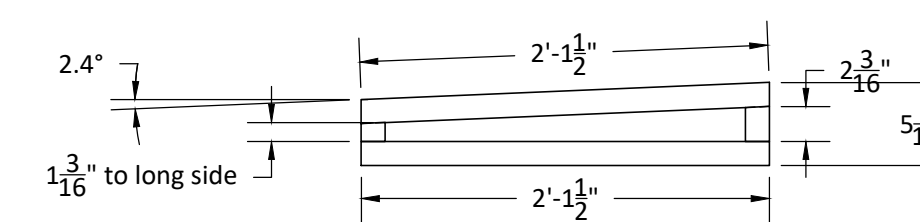
1 Deck ISO
E40



2 Track Side Walls- Scale: 1/2" = 1'-0"
Build 2 each from 3/4" plywood.



3 Track Top- Scale: 1/2" = 1'-0"
Build 4 each from 3/4" Regular MDF.



4 Track Block Studwall- Scale: 1/2" = 1'-0"
Build 1 from 2x4. Glue and Screw.



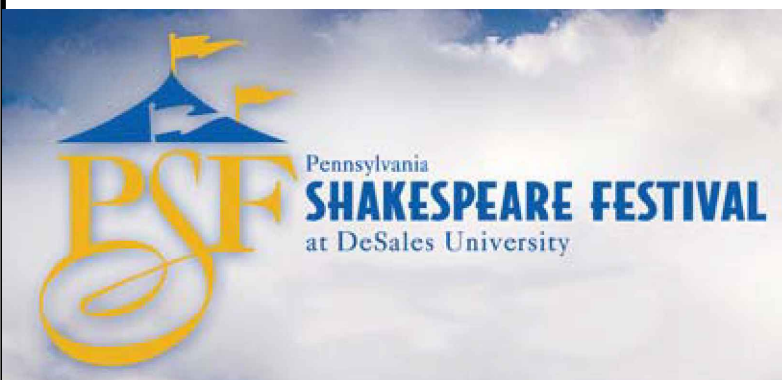
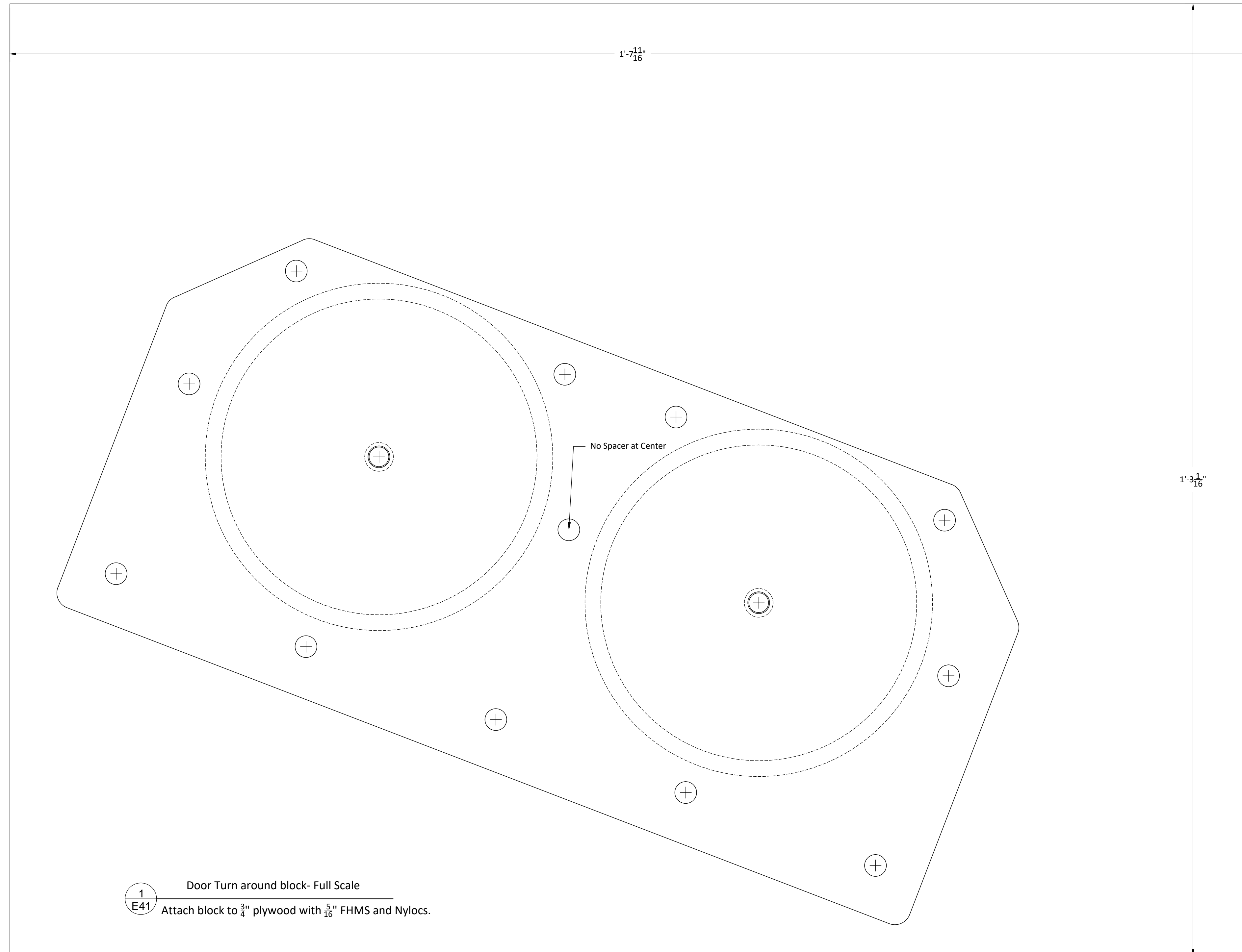
Evita

Track Stuff

Director: D.Razze	Designer: S.TenEyck
Tech Director: Aaron Mayer	Drafted By: A.Mayer
DWG Date: 6/4/2017	REV Date: Scale: As Noted

DWG #:

E40



Evita

Door Track block

Director: D.Razze

Designer: S.TenEyck

Tech Director: Aaron Mayer

Drafted By: A.Mayer

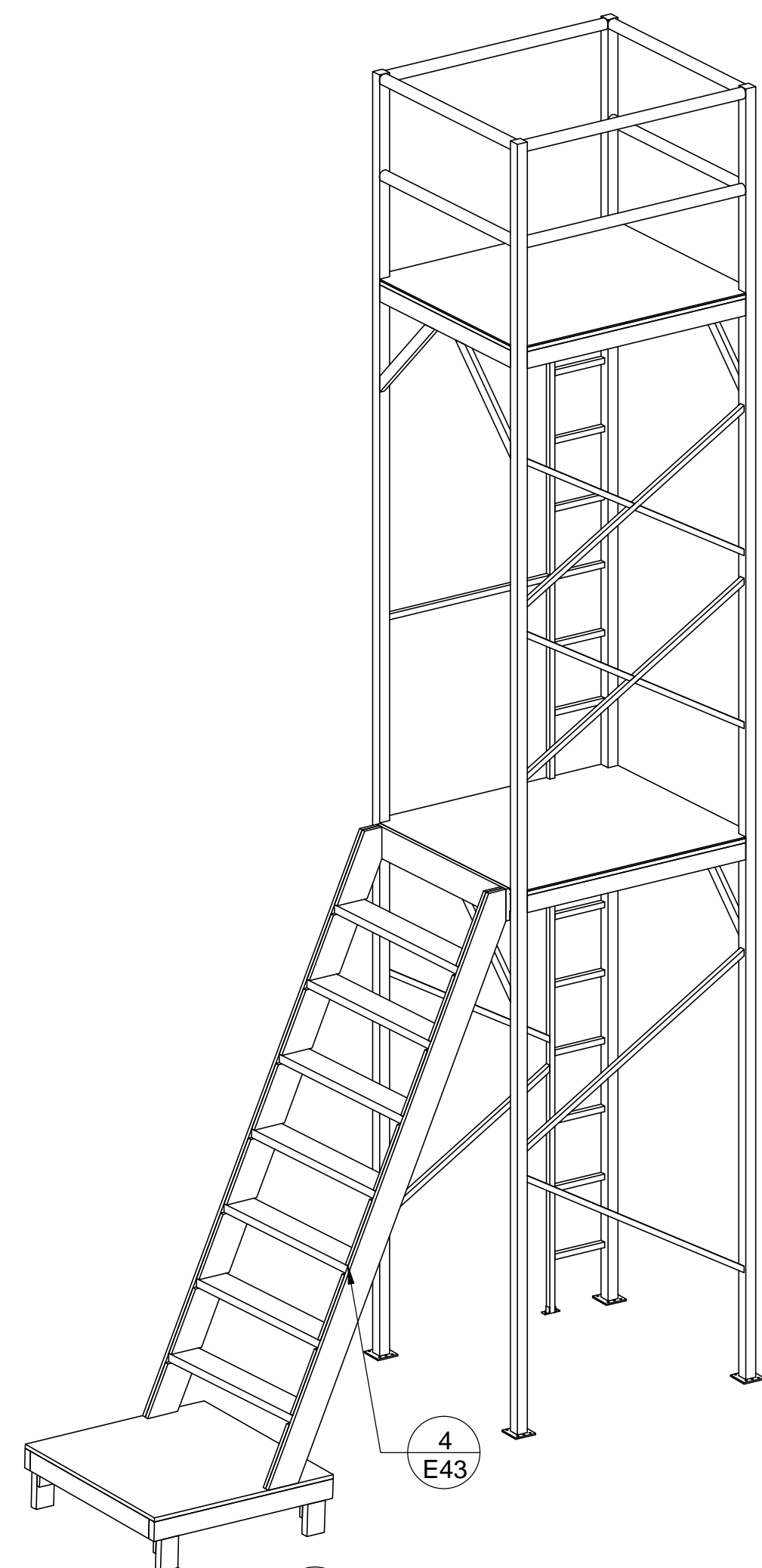
DWG Date: 6/4/2017

REV Date:

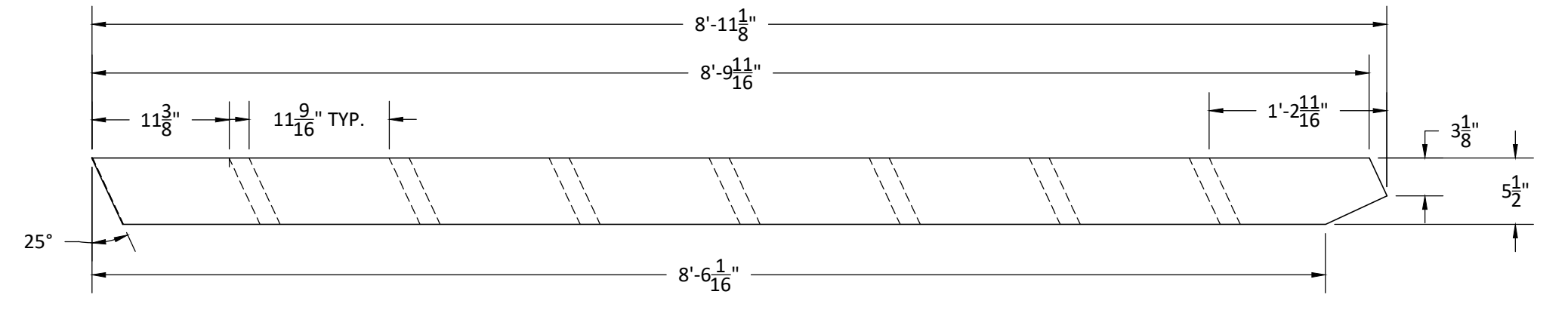
Scale: As Noted

DWG #:

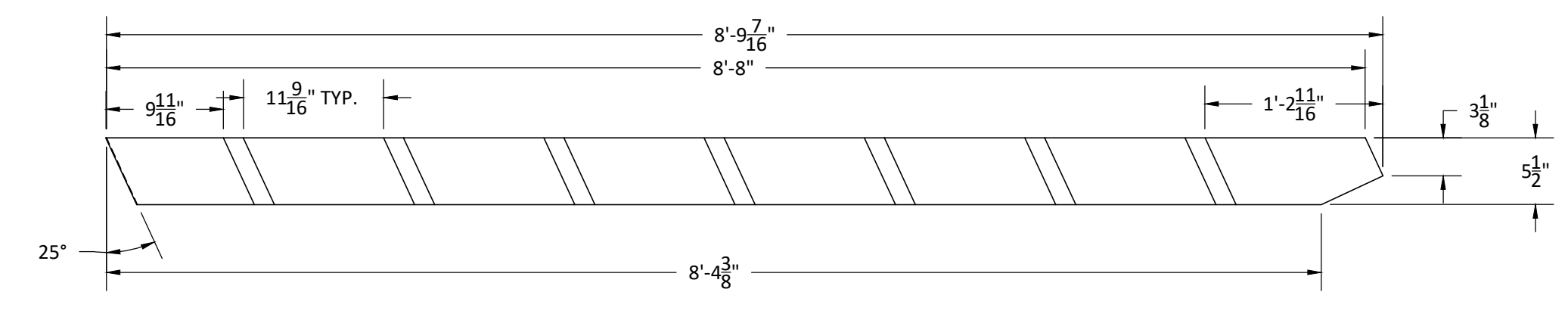
E41



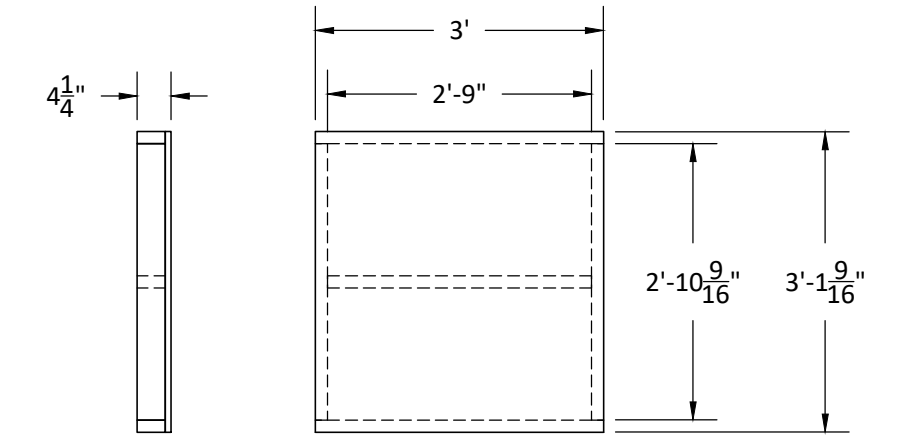
1 E43 Stage right tower escape Iso.



2 E43 Downstage Carriage- Scale: 1/2" = 1'-0"
Build 1 from 1x6.
Add plywood and bottom bevel at assembly.



3 E43 Upstage Carriage- Scale: 1/2" = 1'-0"
Build 1 from 1x6.
Add plywood and bottom bevel at assembly.

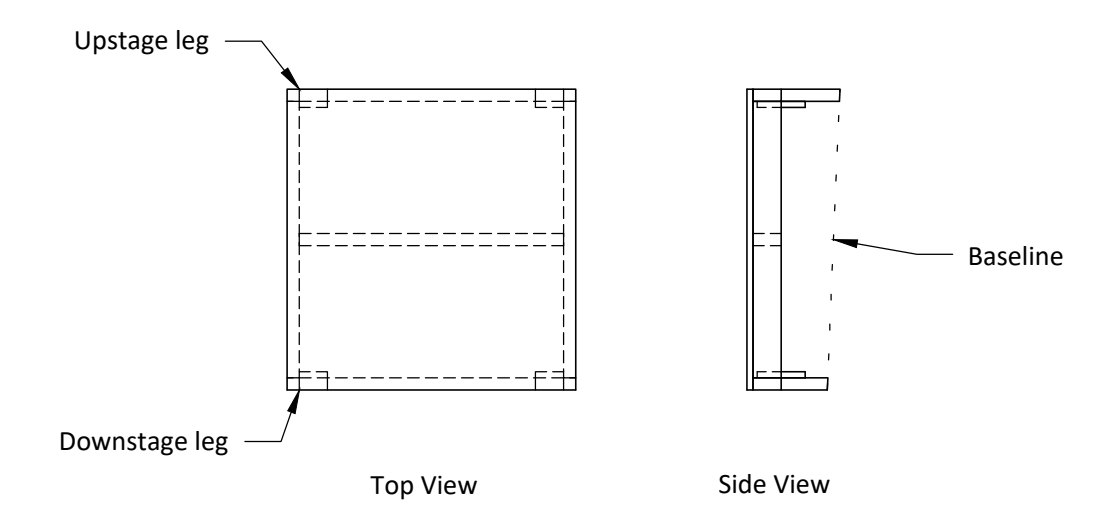


5 E43 Landing Platform- Scale: 1/2" = 1'-0"
Build 1 from 2x4 and 3/4" Plywood.

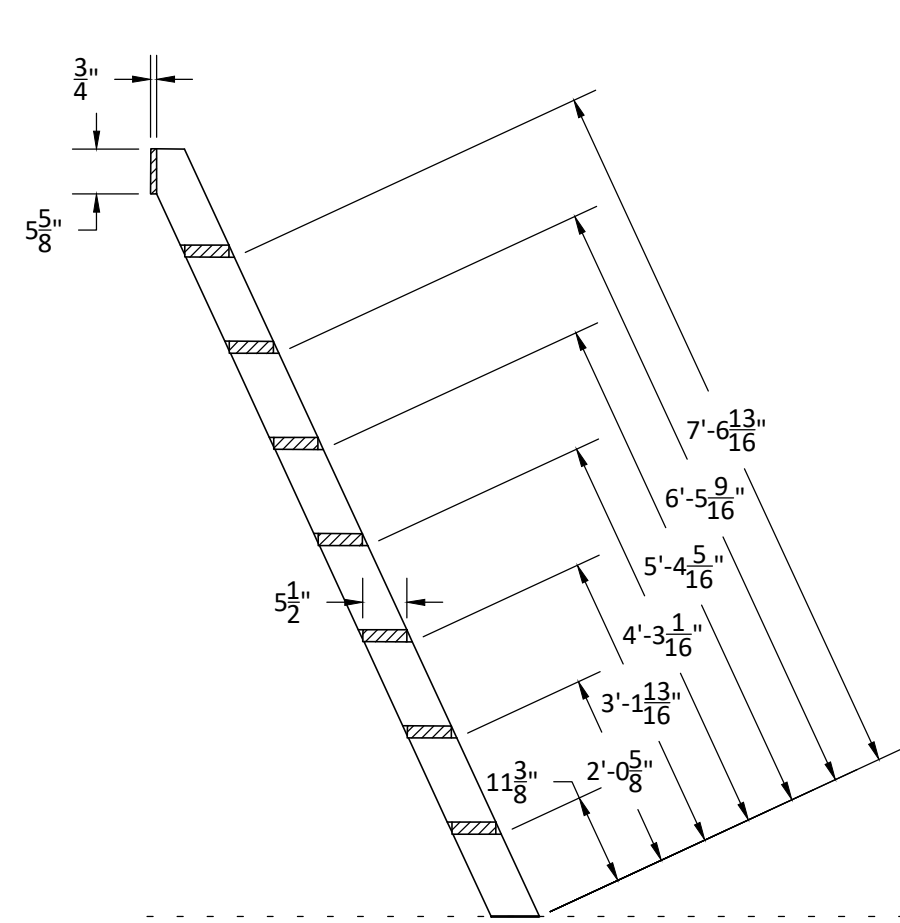


Upstage legs- Side View- Build 2
Downstage legs- Side View- Build 2

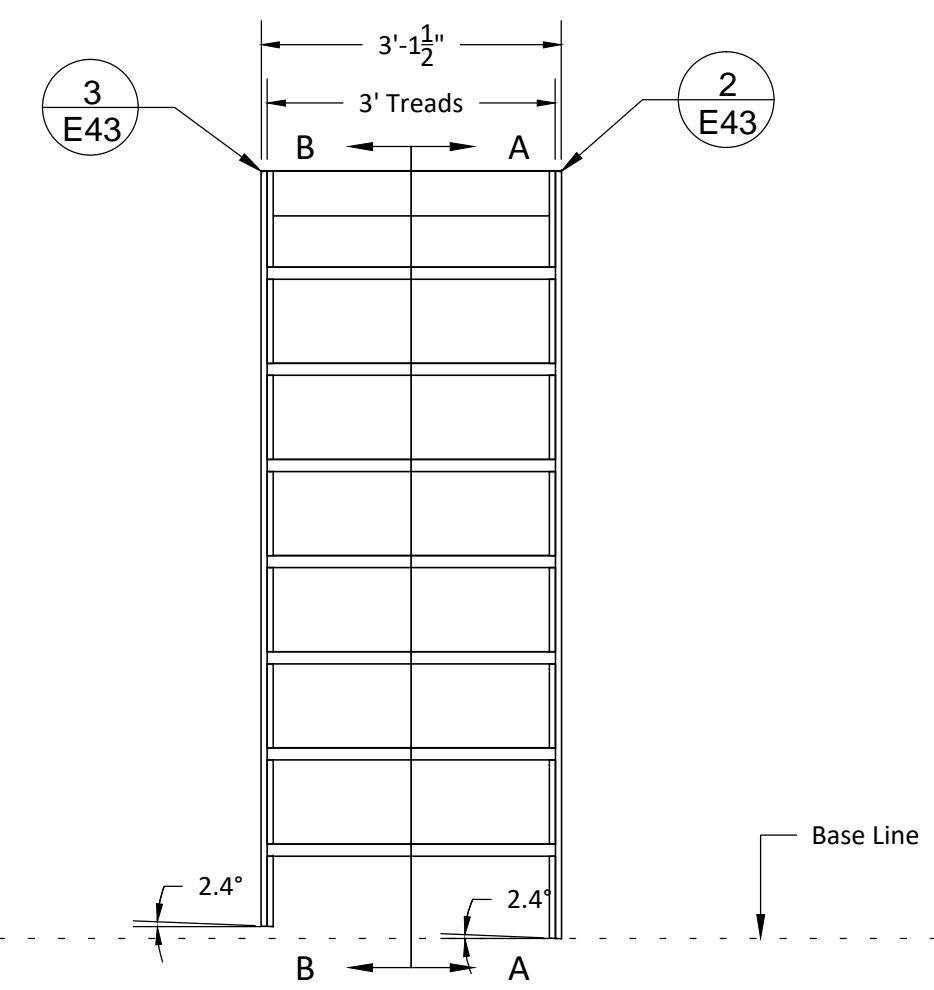
6 E43 Legs- Scale: 1" = 1'-0"
Fabricate from 2x4 and 3/4" Plywood.
Glue and Screw.



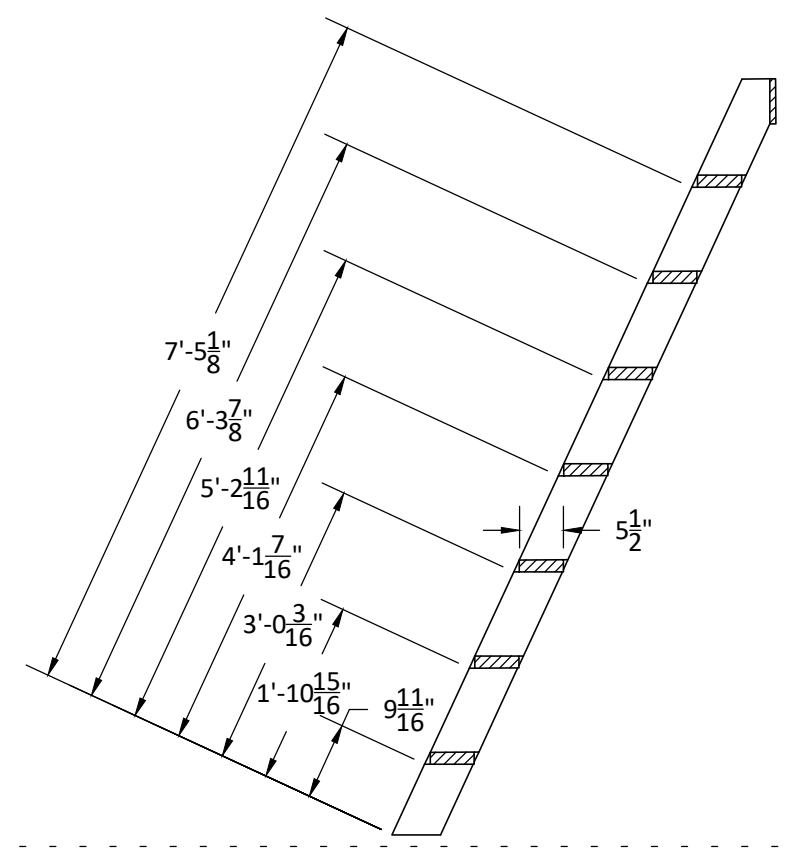
7 E43 Legs Install- Scale: 1/2" = 1'-0"
Install legs as indicated with glue and screws.



SECTION A-A
SCALE 1/2" = 1'-0"



Front View



SECTION B-B
SCALE 1/2" = 1'-0"

4 E43 Assembly- Scale: 1/2" = 1'-0"
Build 1 from 1x6, 2x6, and 3/4" Plywood.
Add first course of ply then bevel stringer, assemble rest of unit
after beveling bottom.
Glue and Screw All.

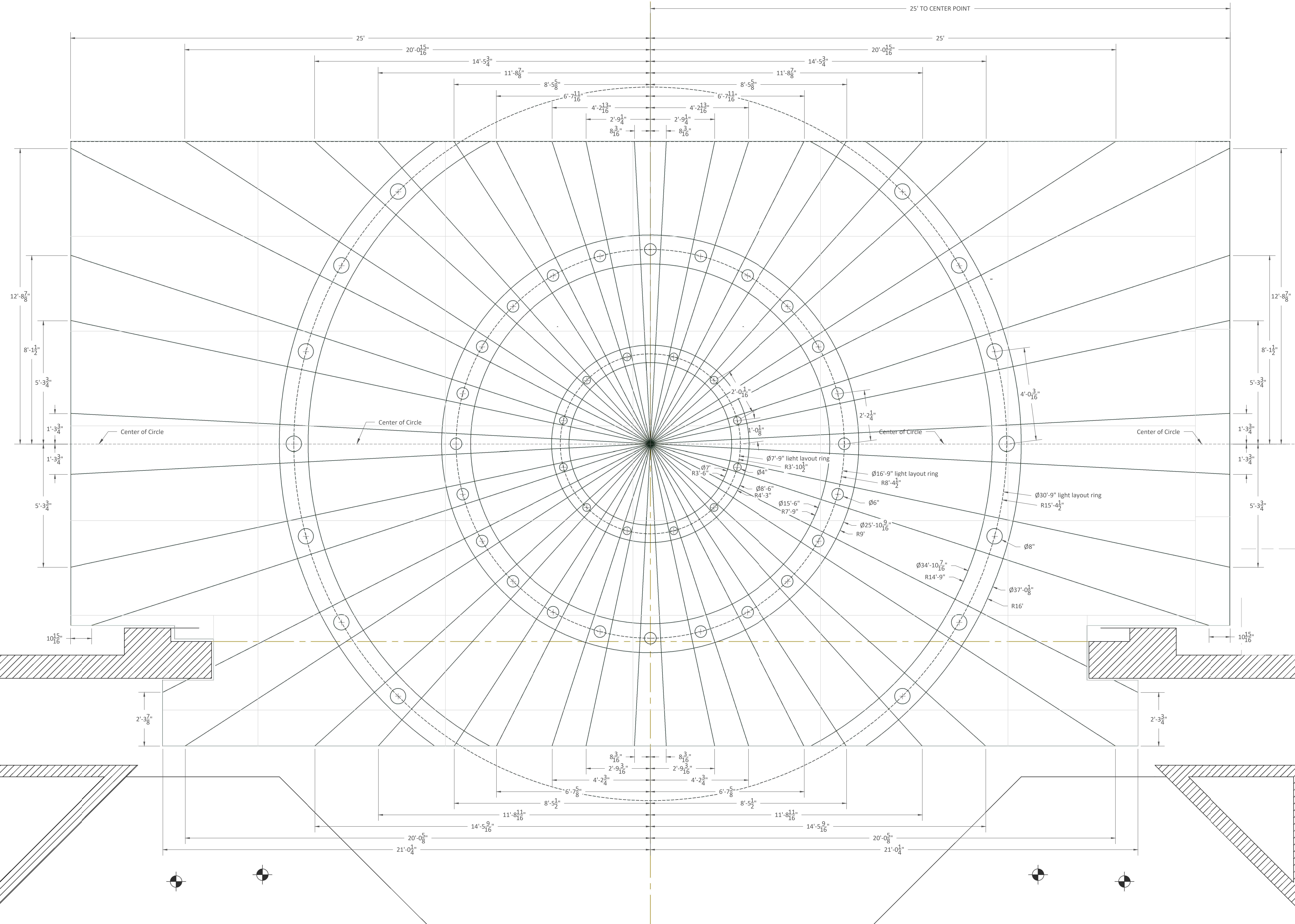


Evita

Stage right escape

Director: D.Razze	Designer: S.TenEyck
Tech Director: Aaron Mayer	Drafted By: A.Mayer
DWG Date: 6/5/2017	REV Date:
Scale: As Noted	

DWG #:
E43

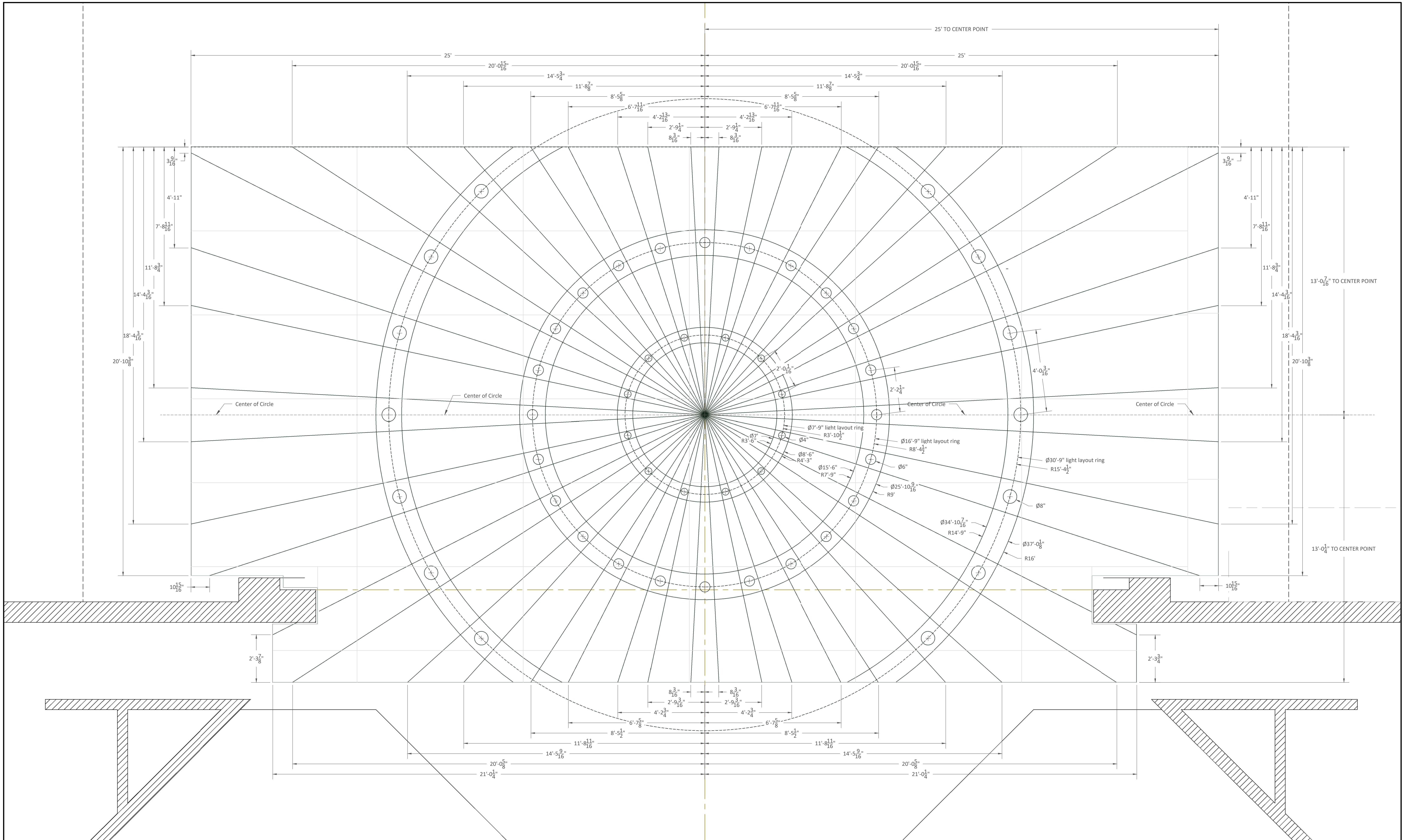


Evita

Paint EI

Director: D.Razze	Designer: S.TenEyck
Tech Director: Aaron Mayer	Drafted By: A.Mayer
DWG Date: 6/5/2017	REV Date: 6/5/2017 V2
Scale: 1/2" = 1'-0"	

DWG #:
E44

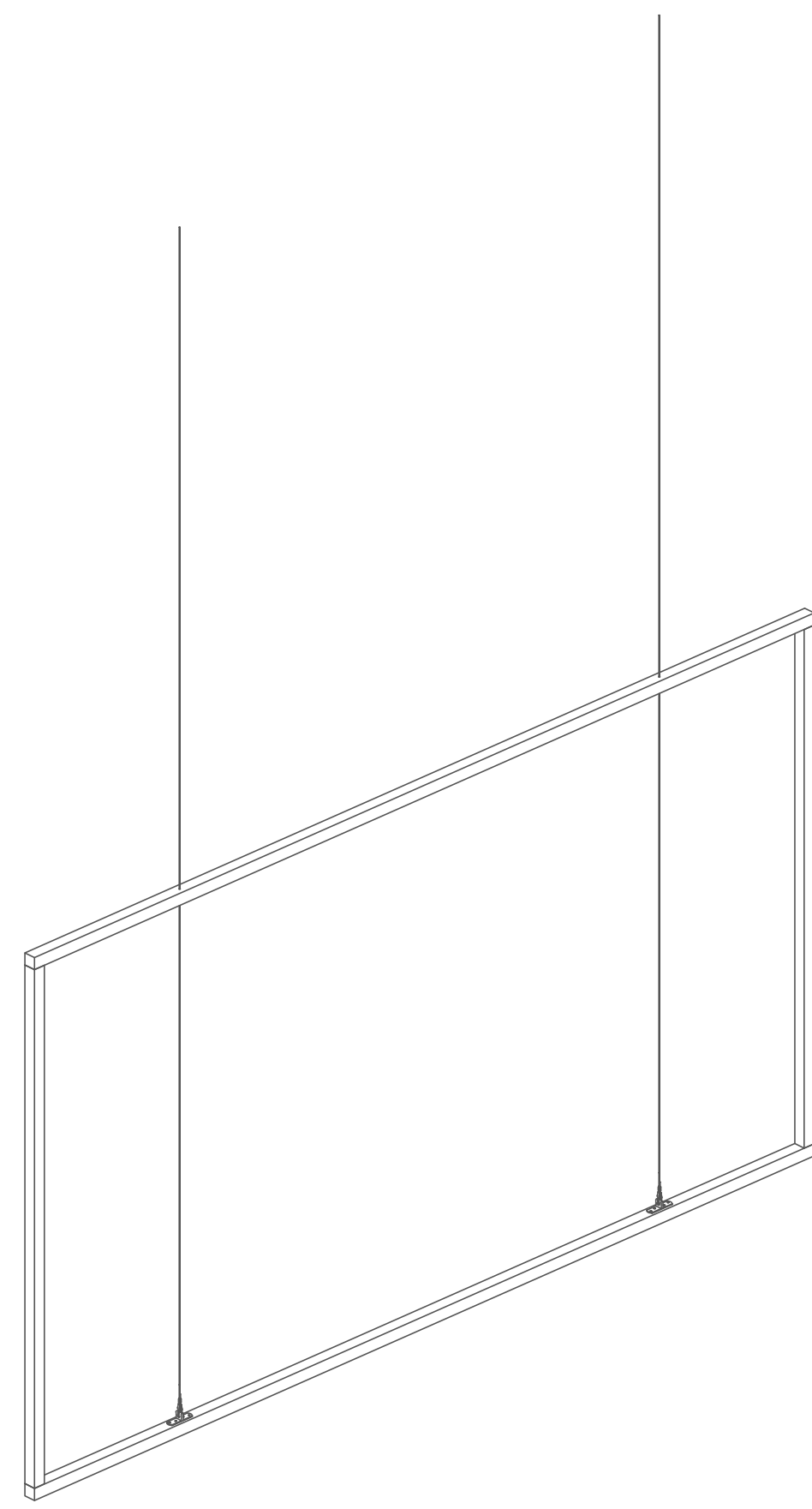


Evita

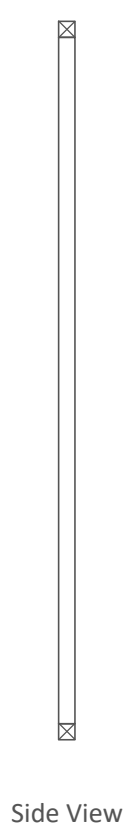
Paint EI

Director: D.Razze	Designer: S.TenEyck
Tech Director: Aaron Mayer	Drafted By: A.Mayer
DWG Date: 6/5/2017	REV Date:
Scale: 1/2" = 1'-0"	

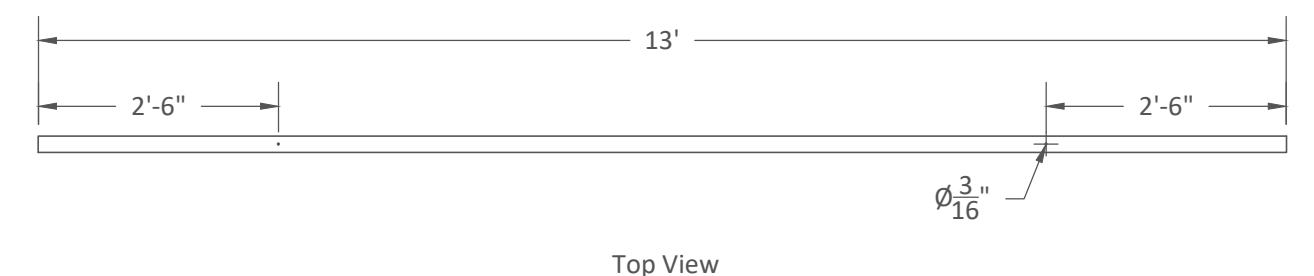
DWG #:
E4



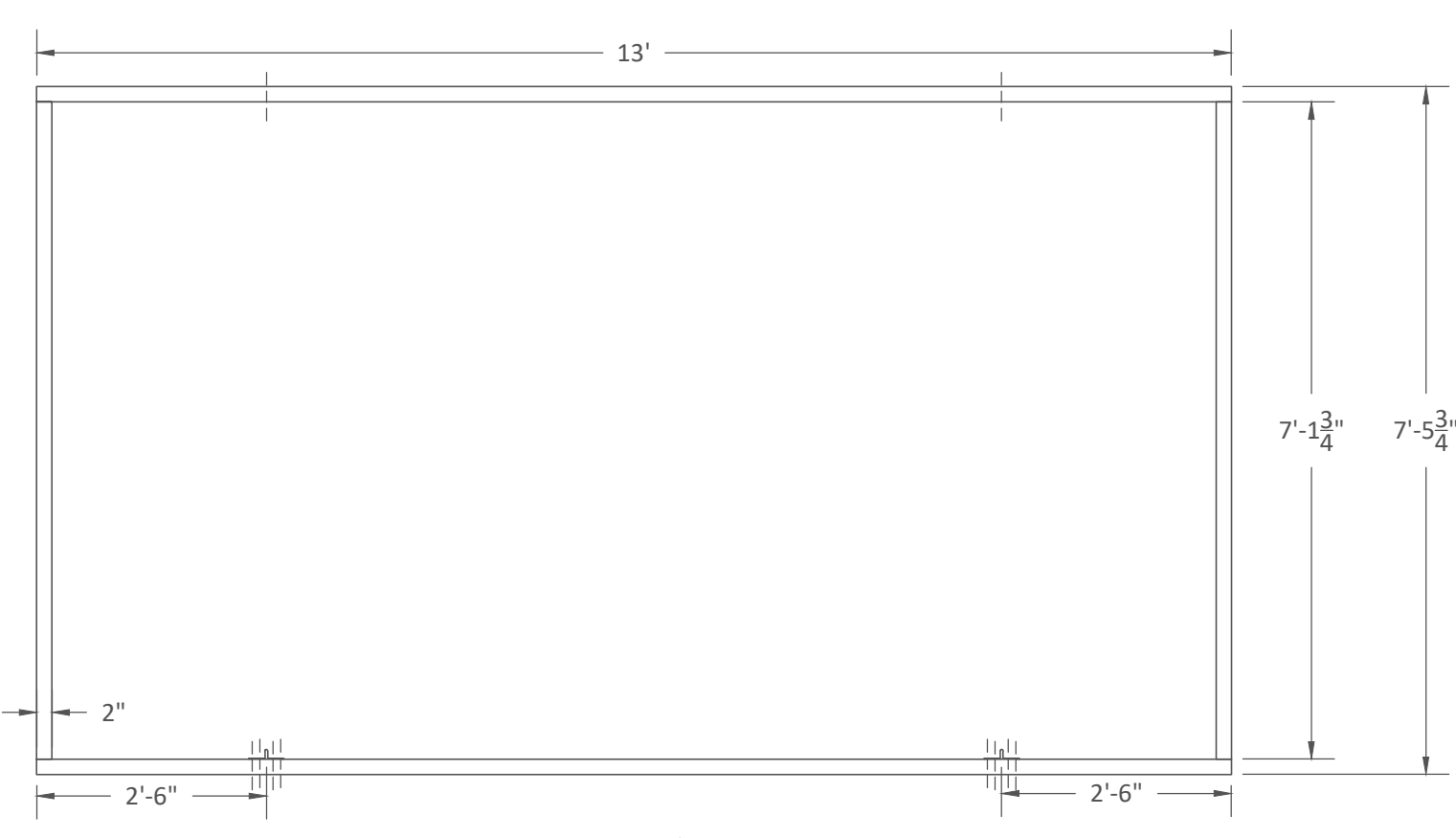
1
E45 Movie Screen Iso



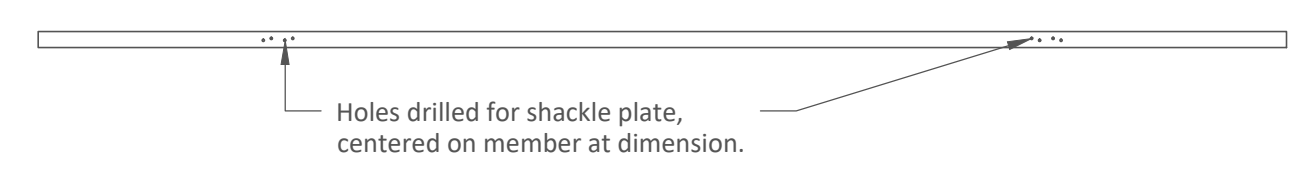
Side View



Top View



Front View



BOTTOM View

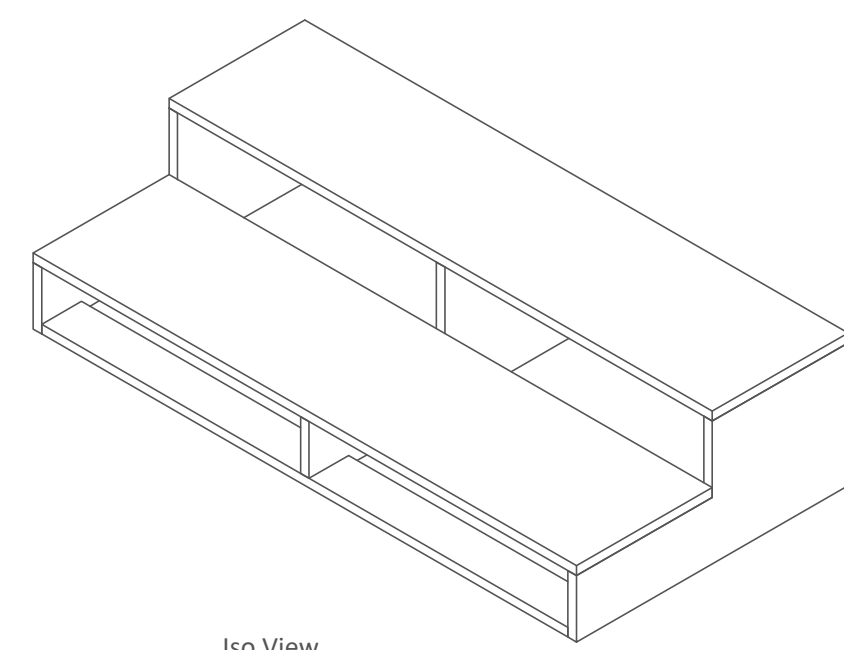
- 2
E45 Movie Screen- Scale: $\frac{1}{2}'' = 1'-0''$
- Build 1 from 2x2 box tube.
 - Drill holes, install shackle plats with FHMS.
 - Weld filets and back faces
 - Install RP Screw with spray adhesive.
 - Trims 6'-10 $\frac{5}{8}''$ above deck

Rigging Hardware		
Item	Length	Notes
$\frac{1}{8}''$ ACC	17'-0"	Swag one end
Grip Locks	N/A	Need 2
Shackles	N/A	Need 4
Trim Chain	Standard 20 links	Need 2

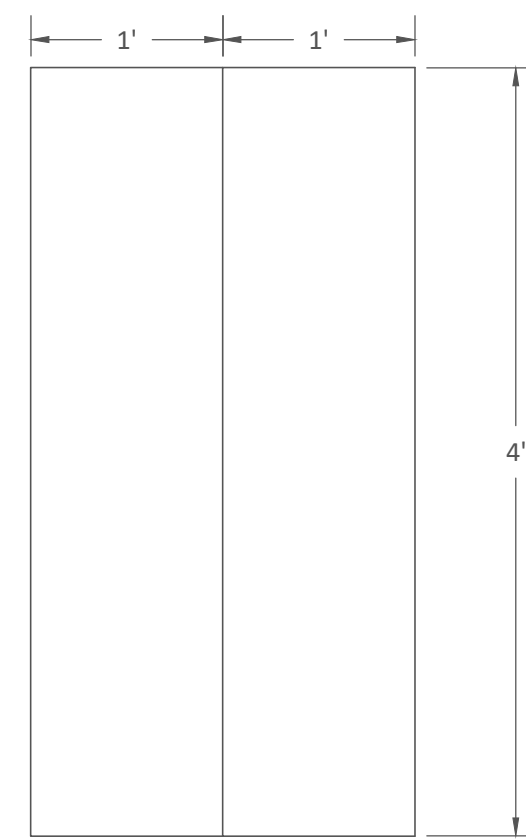


Evita

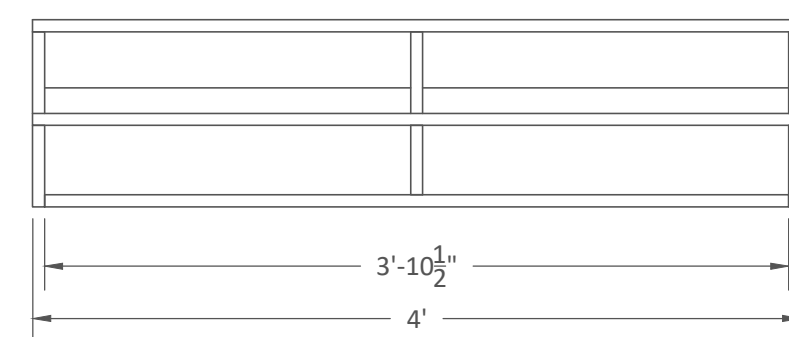
Movie Screen			DWG #:
Director: D.Razze	Designer: S.TenEyck		E45
Tech Director: Aaron Mayer	Drafted By: A.Mayer		
DWG Date: 6/5/2017	REV Date:	Scale: As Noted	



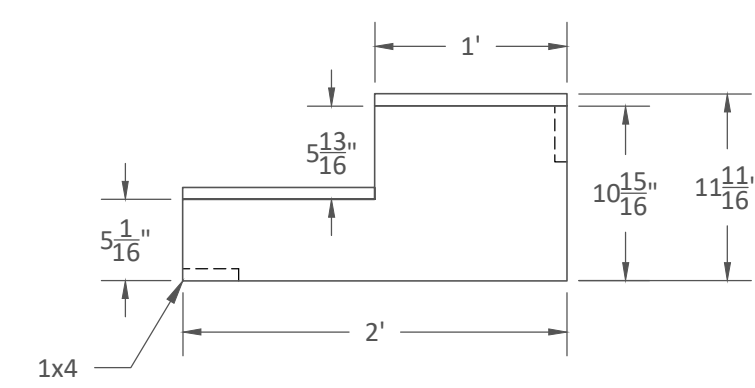
Iso View



Top View



Front View

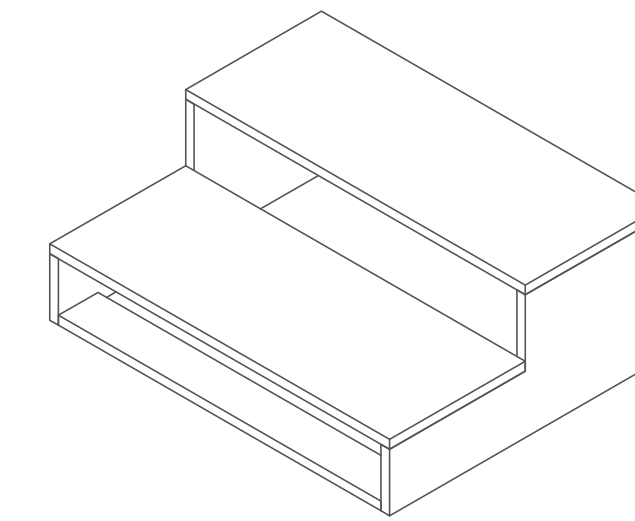


Side View

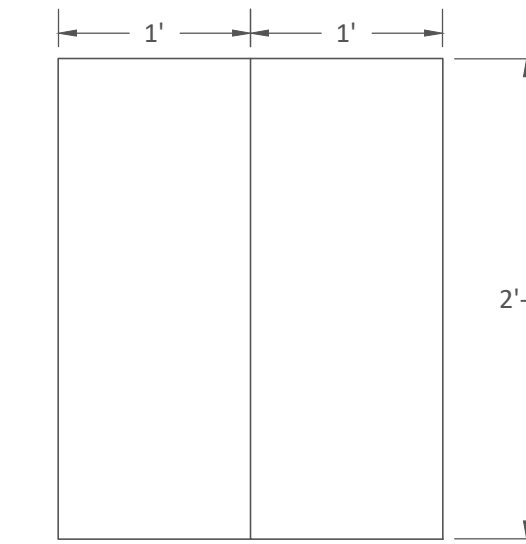
1
E46

Step 1- Scale: 1" = 1'-0"

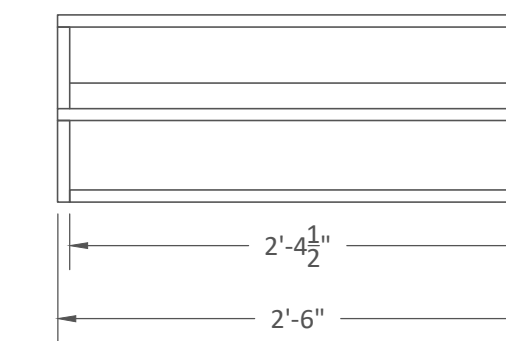
Build 2 from 3/4" Plywood.
Glue and MC Staple.



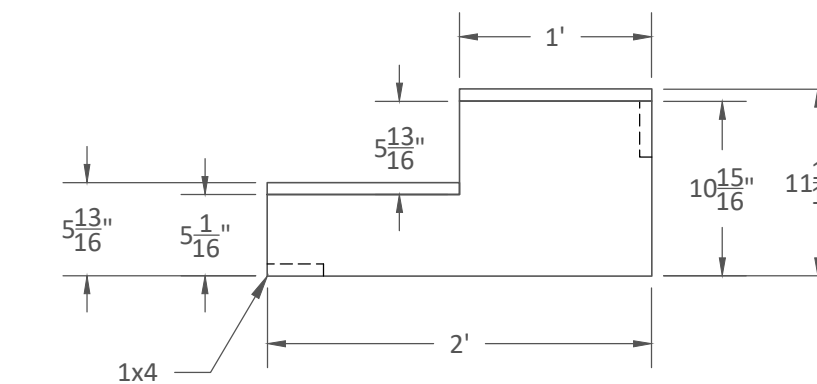
Iso View



Top View



Front View

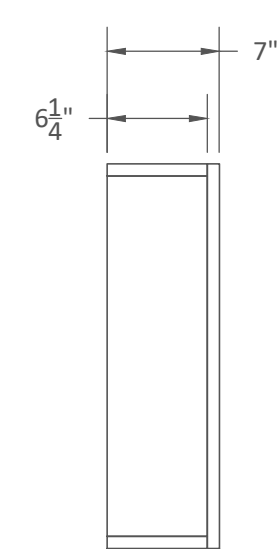


Side View

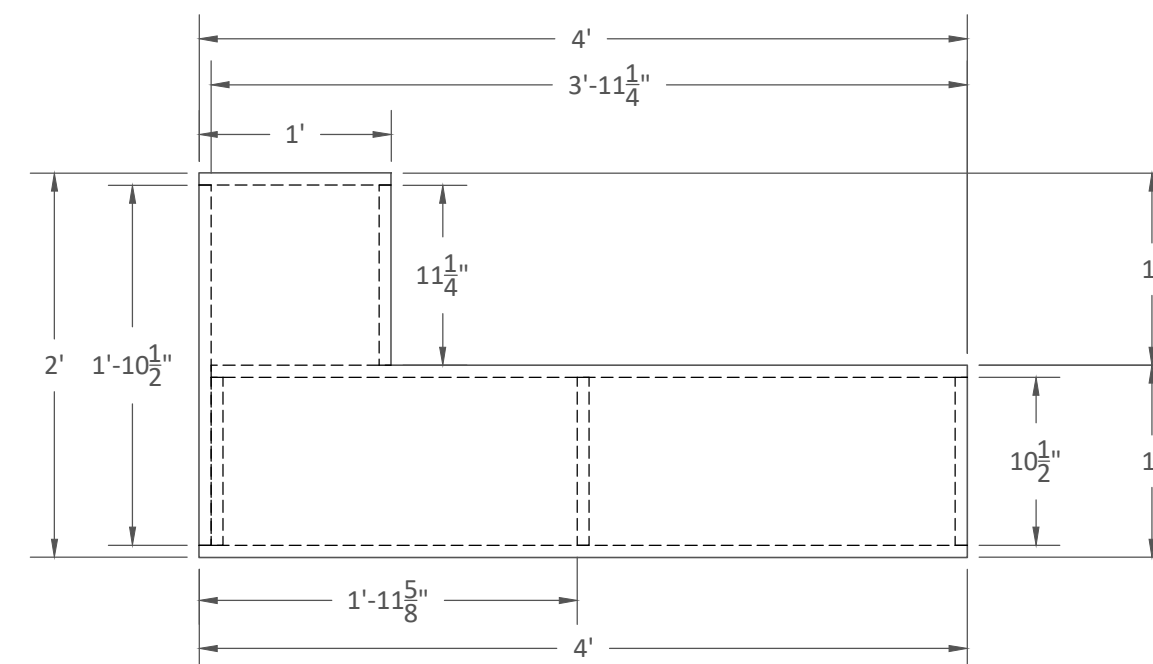
2
E46

Step 2- Scale: 1" = 1'-0"

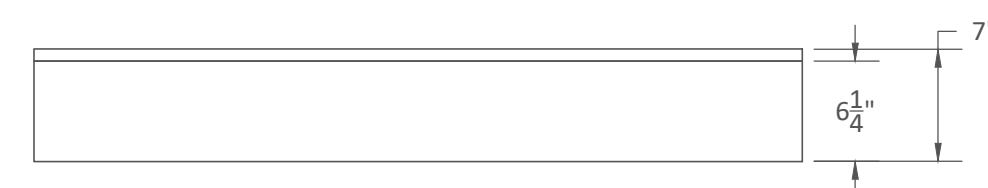
Build 1 from 3/4" Plywood.
Glue and MC Staple.



Side View



Top View

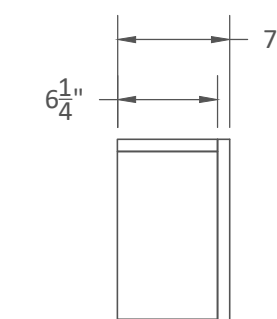


Front View

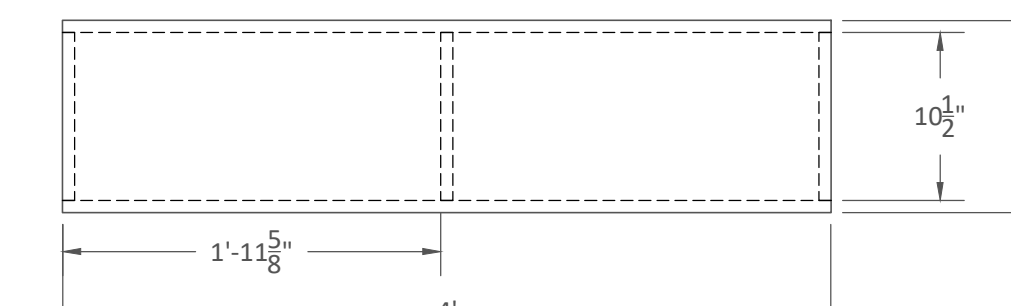
3
E46

Step 3- Scale: 1" = 1'-0"

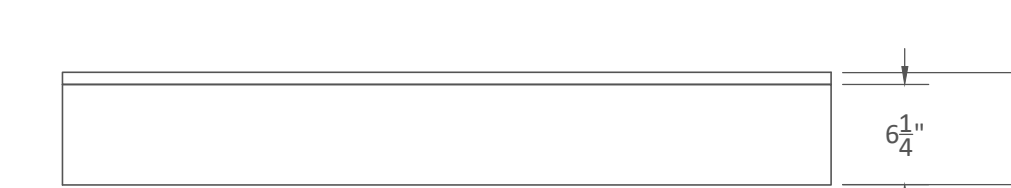
Build 1 from 3/4" Plywood.
Glue and MC Staple.



Side View



Top View

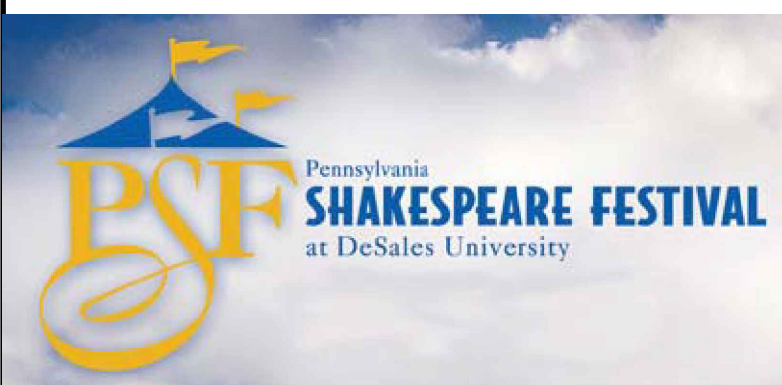


Front View

4
E46

Step 4- Scale: 1" = 1'-0"

Build 1 from 3/4" Plywood.
Glue and MC Staple.



Evita

Deck Escape Steps

Director: D.Razze

Designer: S.TenEyck

Tech Director: Aaron Mayer

Drafted By: A.Mayer

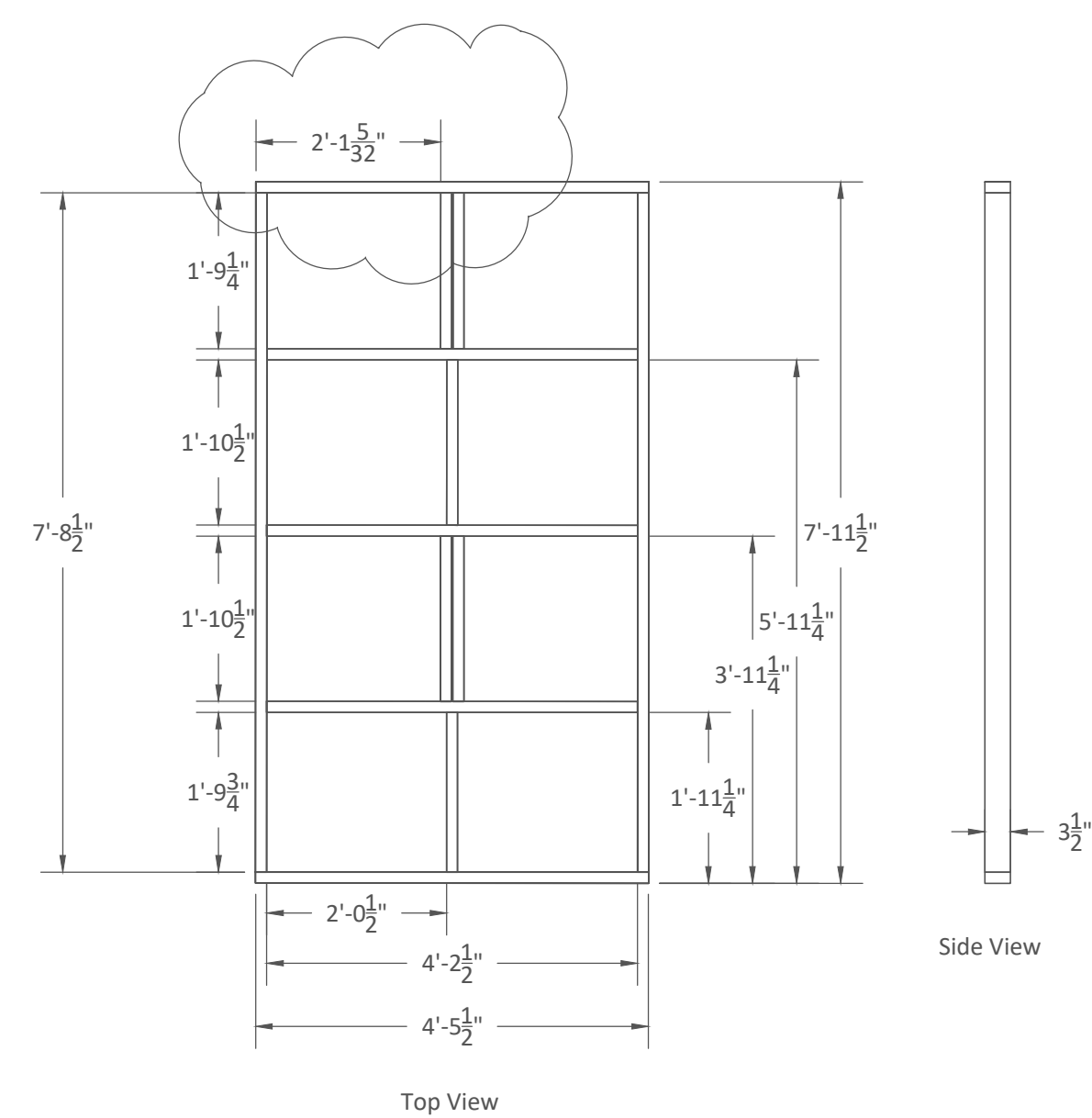
DWG Date: 6/6/2017

REV Date:

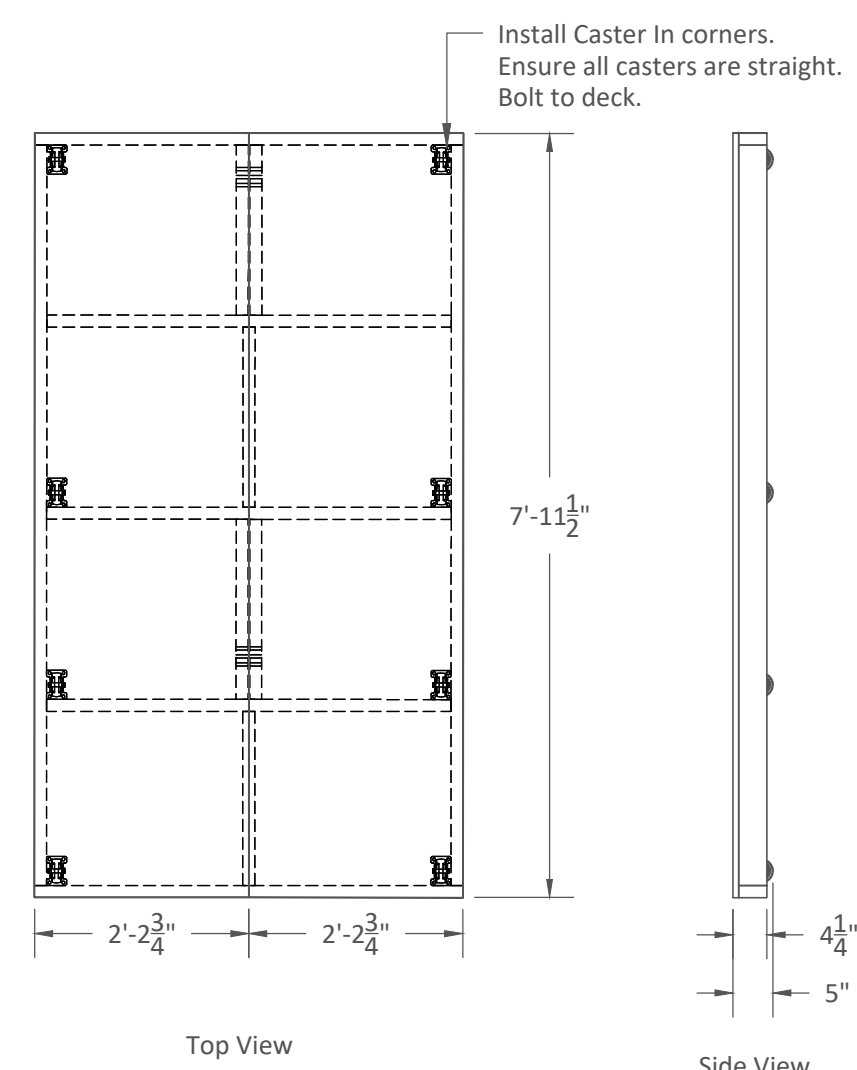
Scale: As Noted

DWG #:

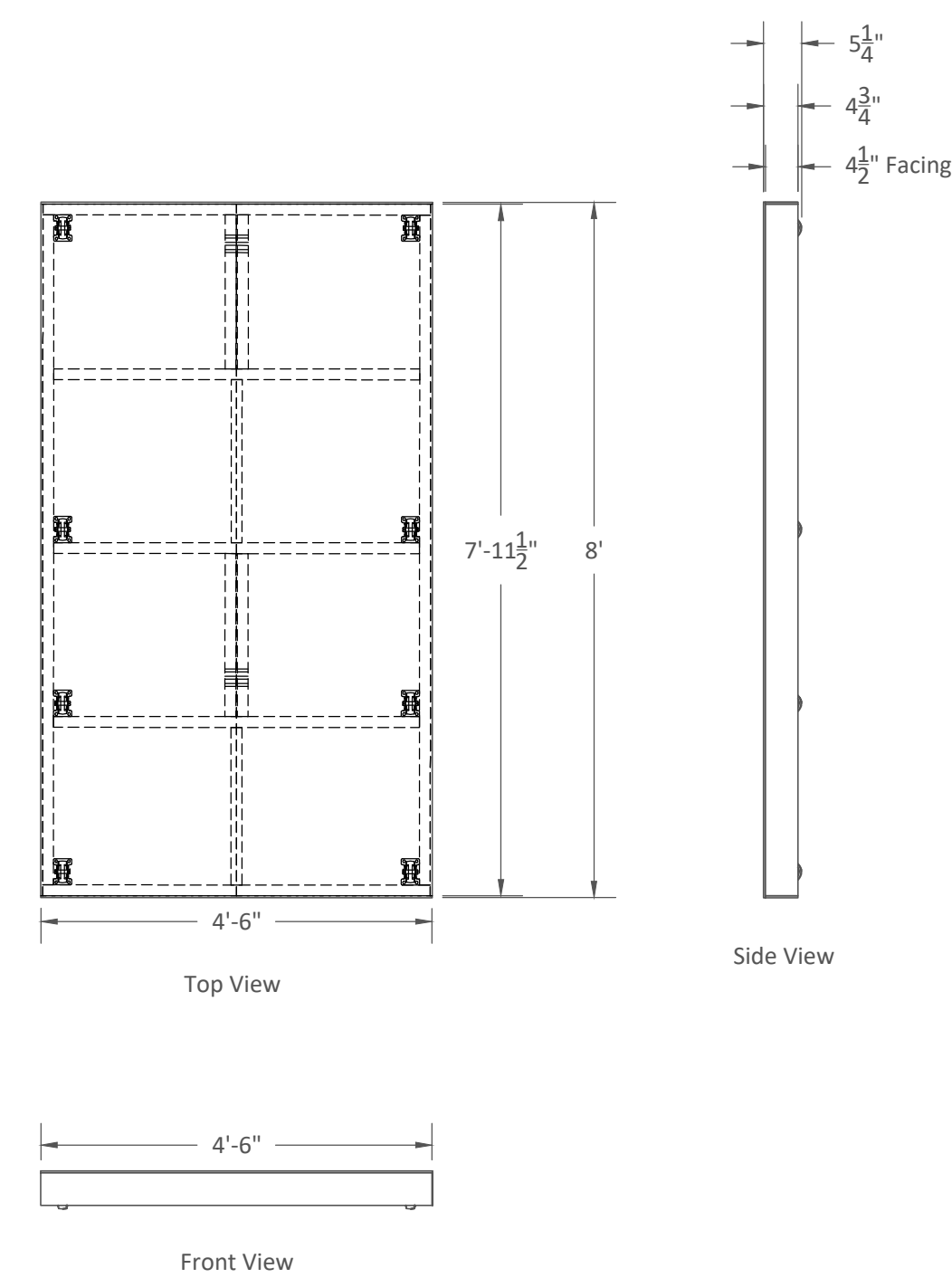
E46



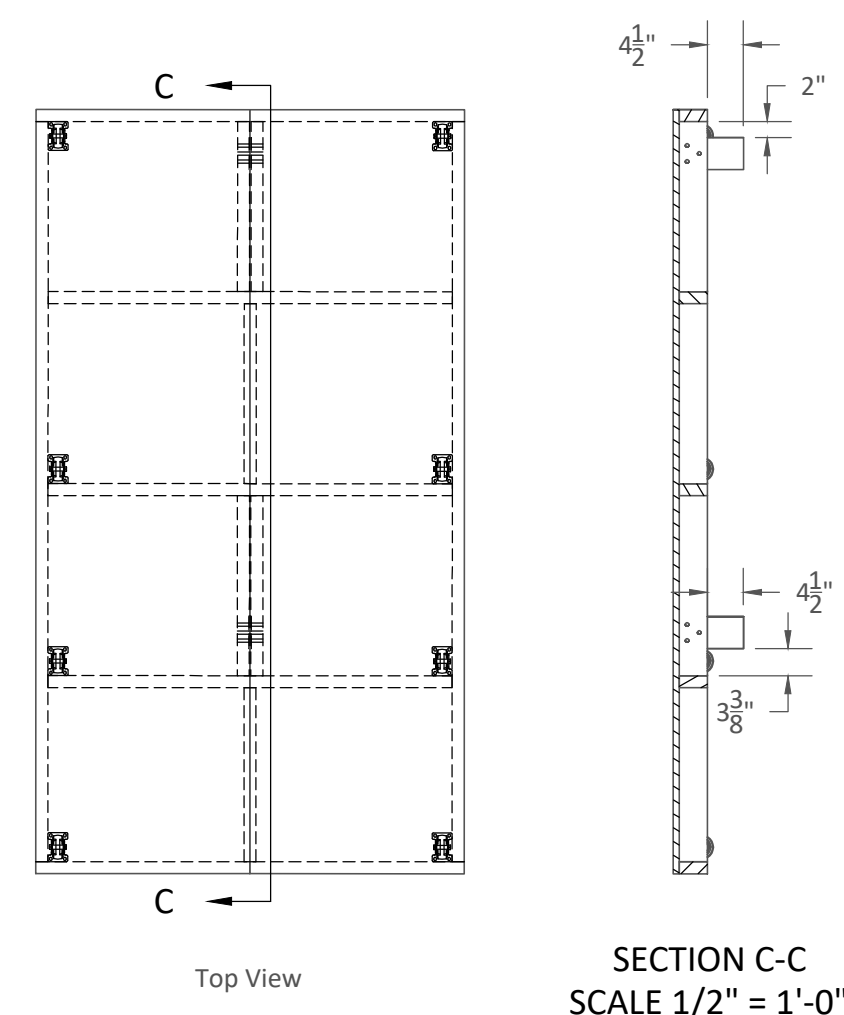
1
E47 Frame- Scale: $\frac{1}{2}'' = 1'-0''$
Build 1 from 2x4.
Glue and Screw.
Drill Knife holes before decking.



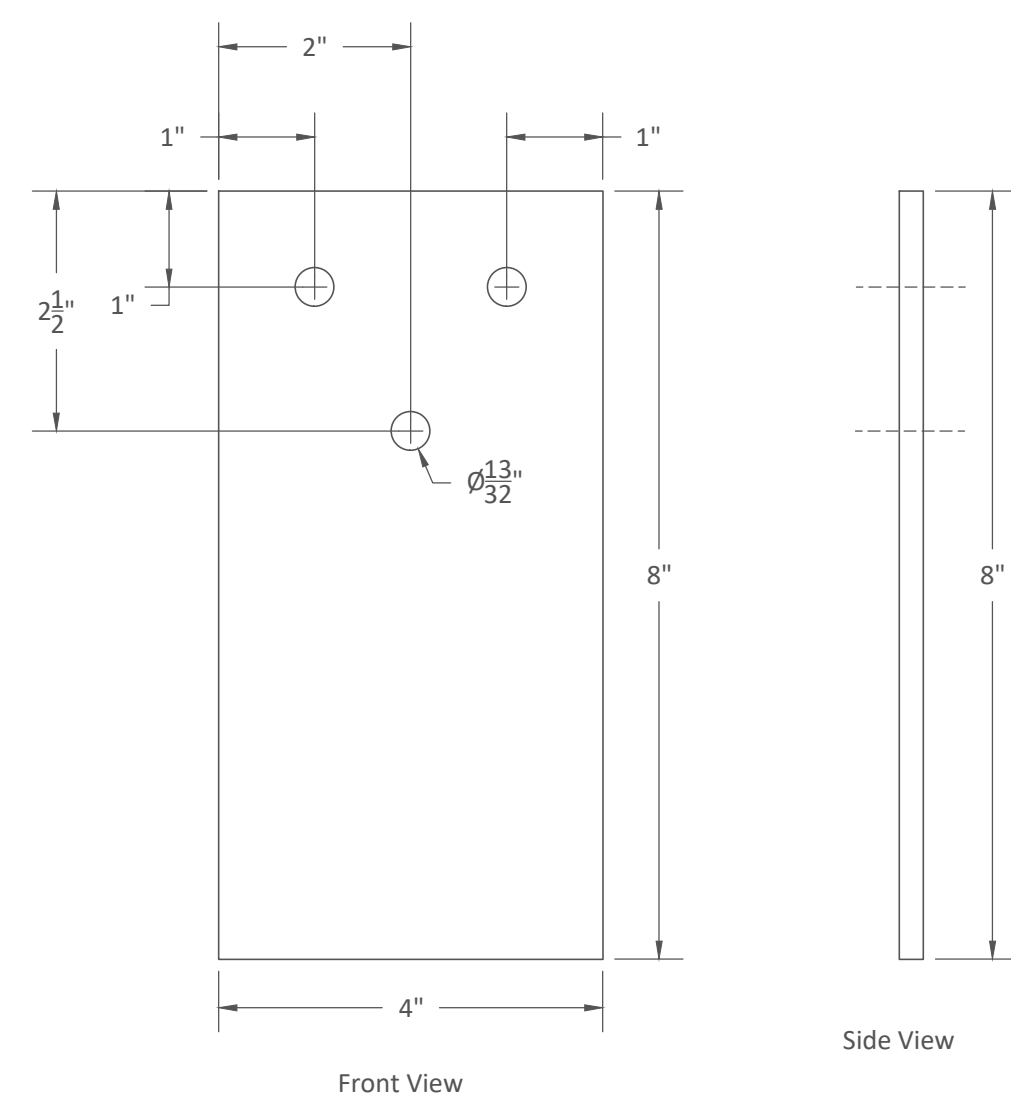
2
E47 Deck- Scale: $\frac{1}{2}'' = 1'-0''$
Deck with $\frac{3}{4}''$ Plywood.
Glue and Screw.
Drill Knife holes before decking.



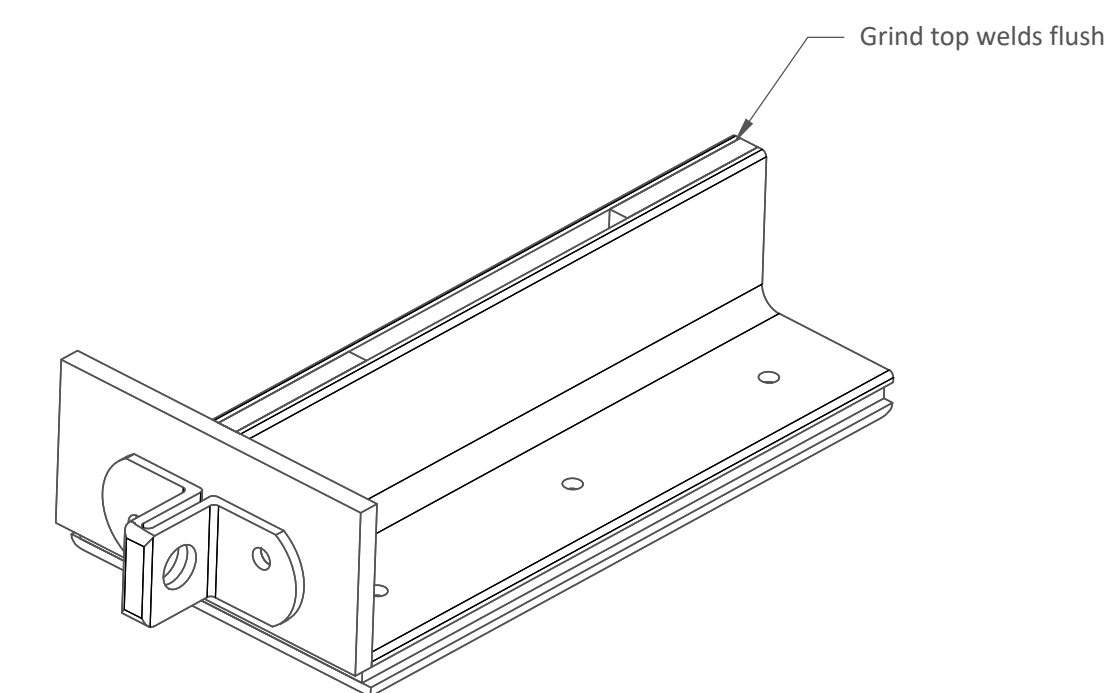
3
E47 Facing- Scale: $\frac{1}{2}'' = 1'-0''$
Face and deck with $\frac{1}{4}''$ MDF.
Front/Back facing caps sides,
Top deck caps all.
Brad.



4
E47 Knife Installation- Scale: $\frac{1}{2}'' = 1'-0''$
Install knives as shown.
Through-bolt with $\frac{3}{8}''$ hex head bolts.
Ensure knives are square to deck.



5
E47 Knives- Scale: $6'' = 1'-0''$
Build 2 from $\frac{3}{16}'' \times 4''$ Flat bar.
Drill holes.



6
E47 Stock Dogs- Scale: $6'' = 1'-0''$
Pull 2. Grind top welds flush.

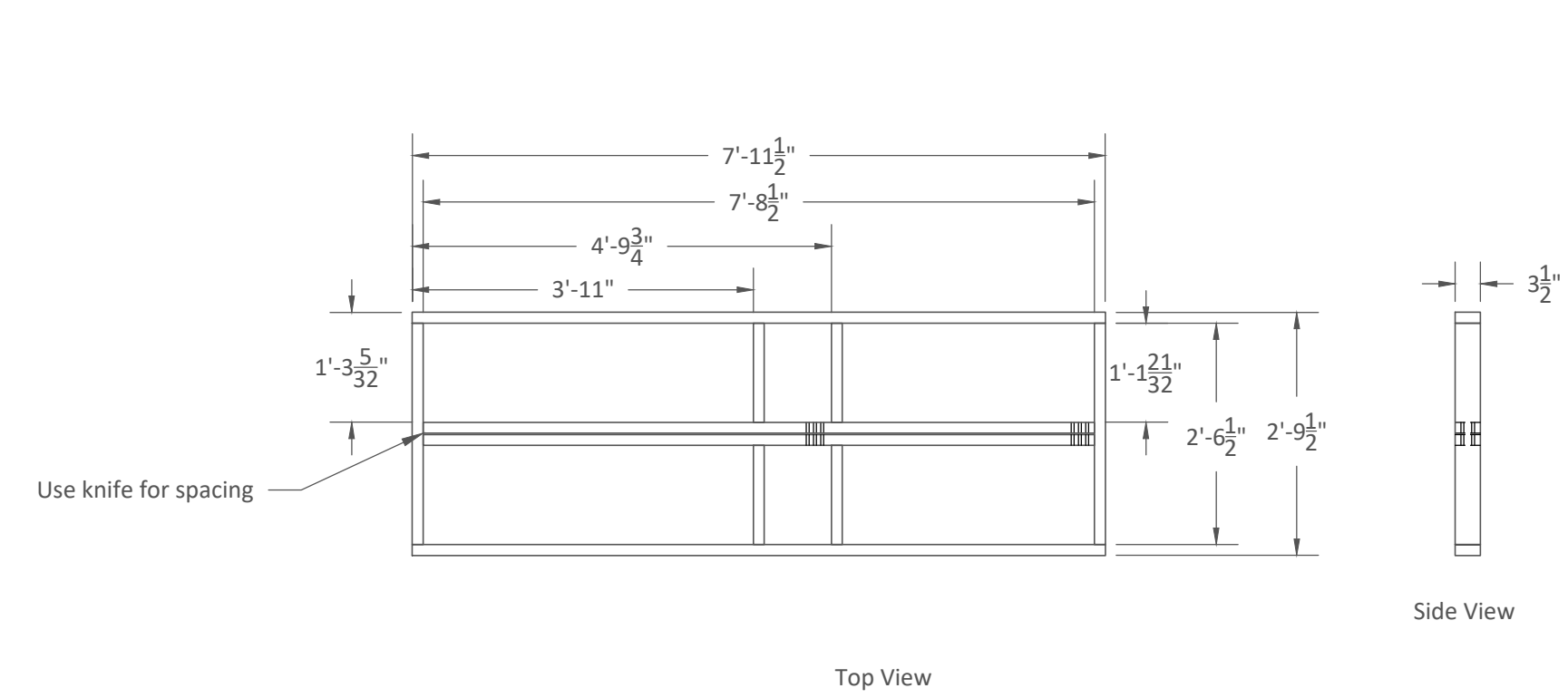


Evita

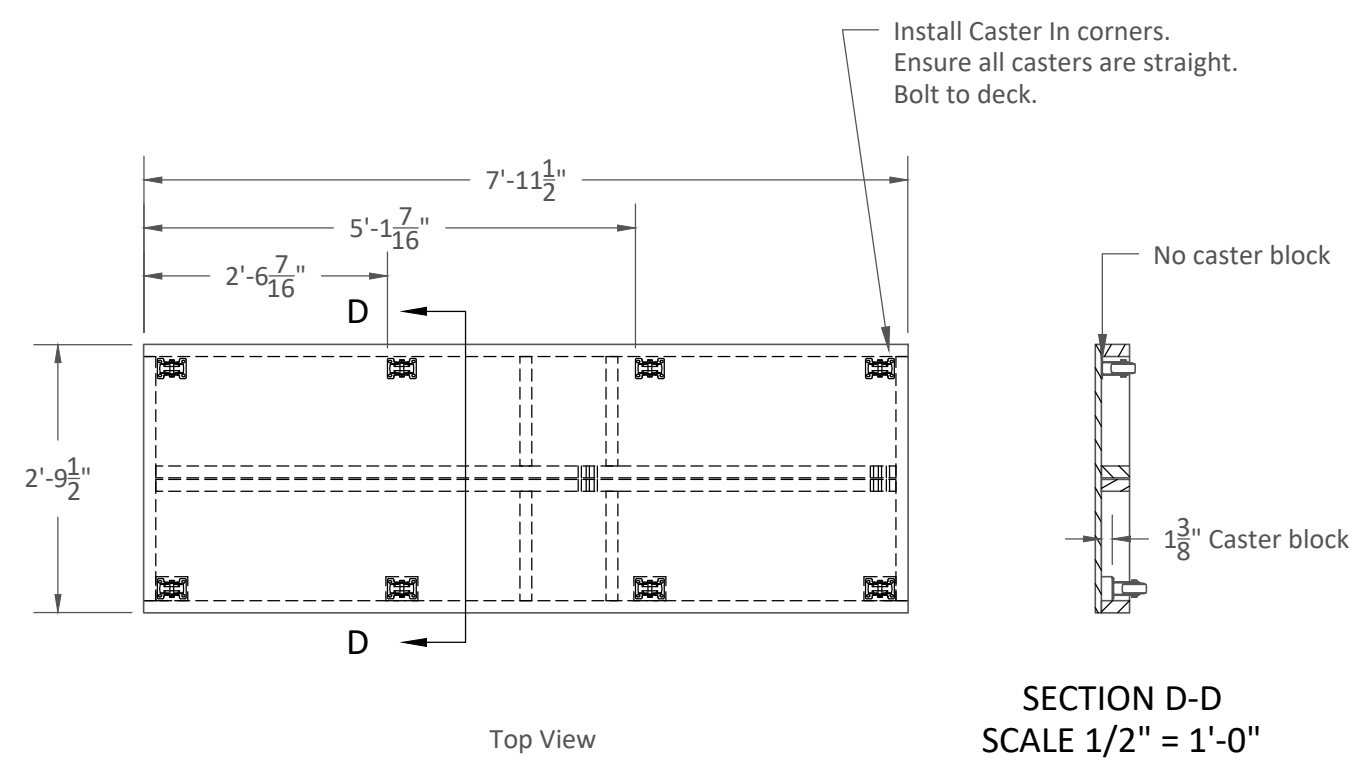
Up Center Tracking Wagon

Director: D.Razze	Designer: S.TenEyck
Tech Director: Aaron Mayer	Drafted By: A.Mayer
DWG Date: 6/7/2017	REV Date:
Scale: As Noted	

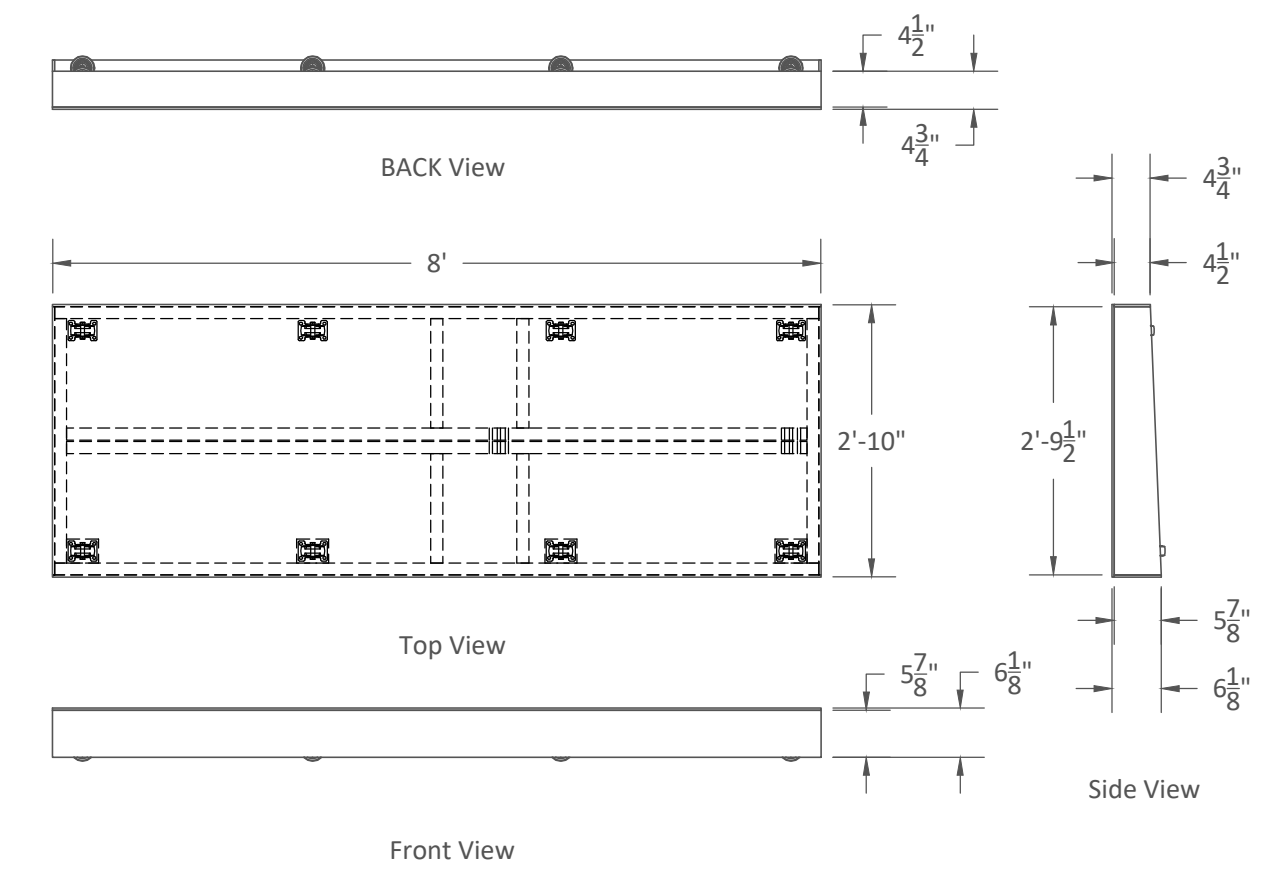
DWG #:
E47



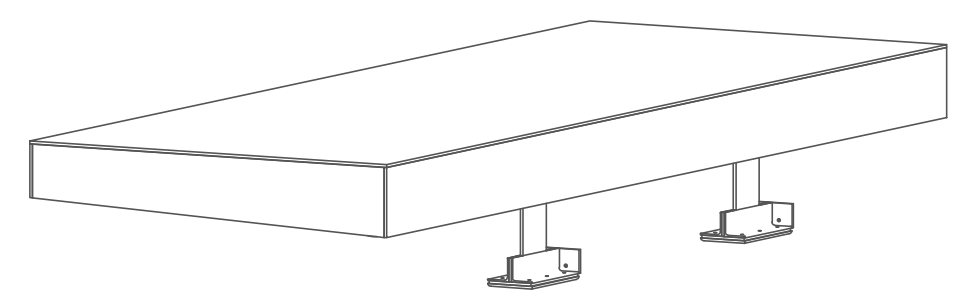
2
E48 Frame- Scale: 1/2" = 1'-0"
Build 1 from 2x4.
Glue and Screw.
Drill Knife holes before decking.



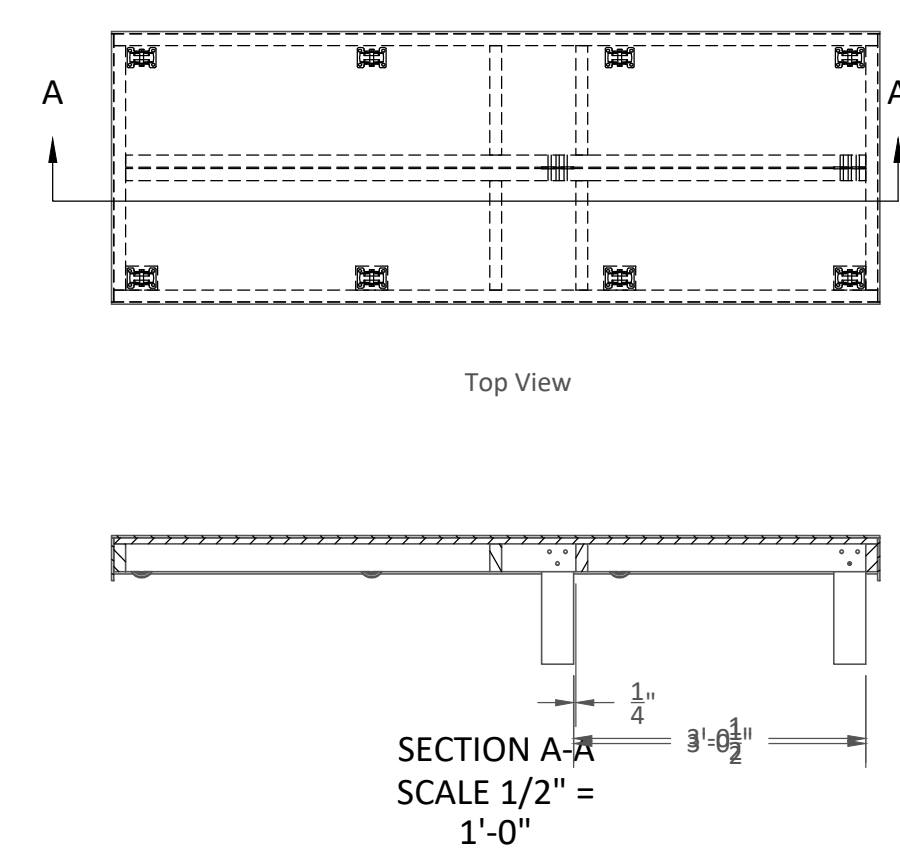
3
E48 Deck- Scale: 1/2" = 1'-0"
Deck with 3/4" Plywood.
Glue and Screw.
Drill Knife holes before decking.



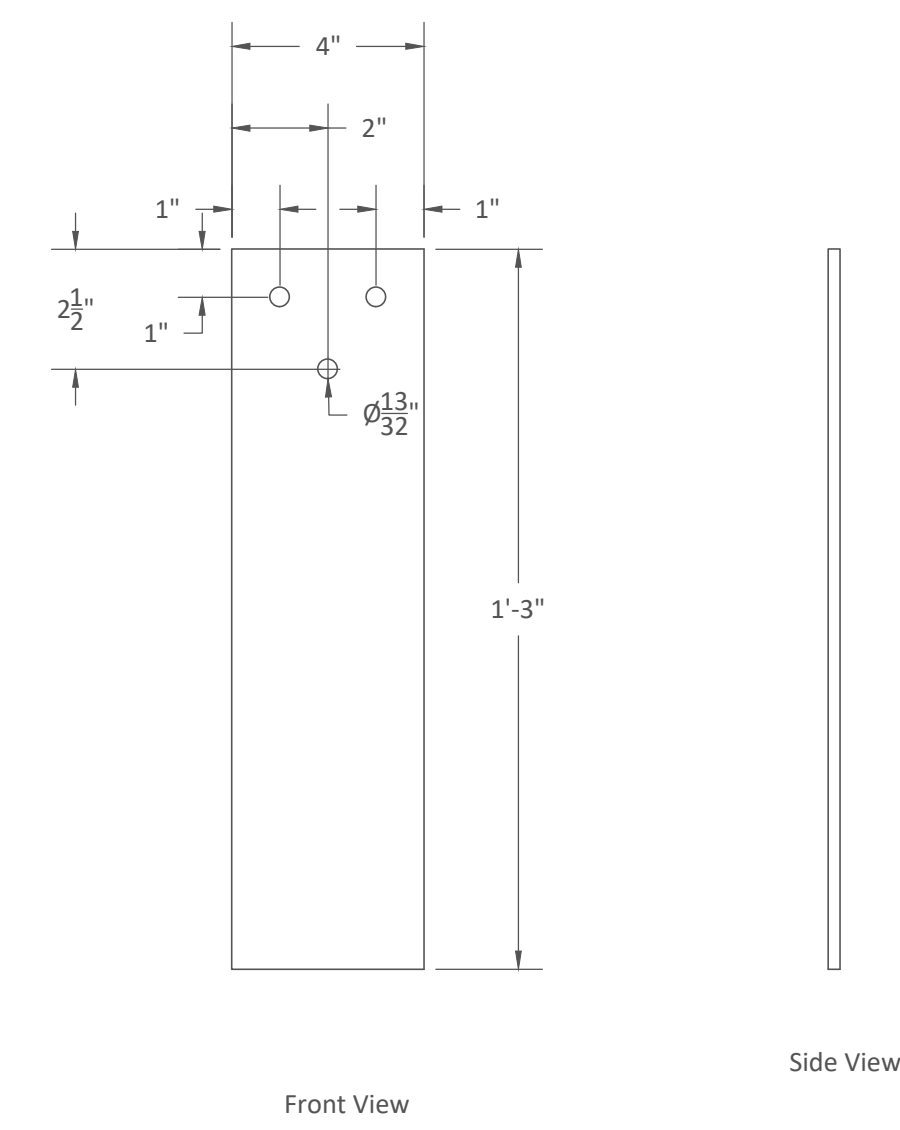
4
E48 Facing- Scale: 1/2" = 1'-0"
Face and deck with 1/4" MDF.
Front/Back facing caps sides,
Top deck caps all.
Brad.



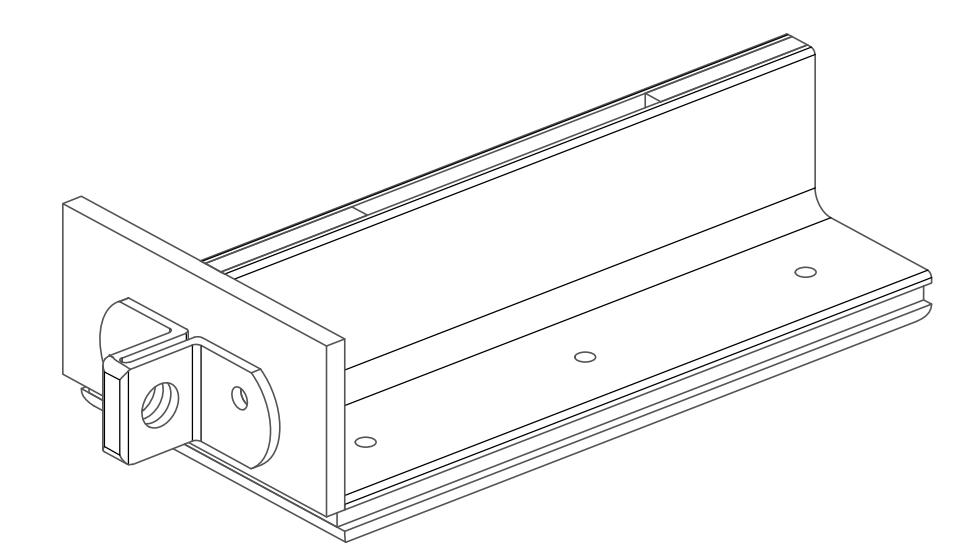
1
E48 UNIT ISO



5
E48 Knife Installation- Scale: 1/2" = 1'-0"
Install knives as shown.
Through-bolt with 3/8" hex head bolts.
Ensure knives are square to deck.



6
E48 Knives- Scale: 6" = 1'-0"
Build 2 from 3/16" x 4" Flat bar.
Drill holes.



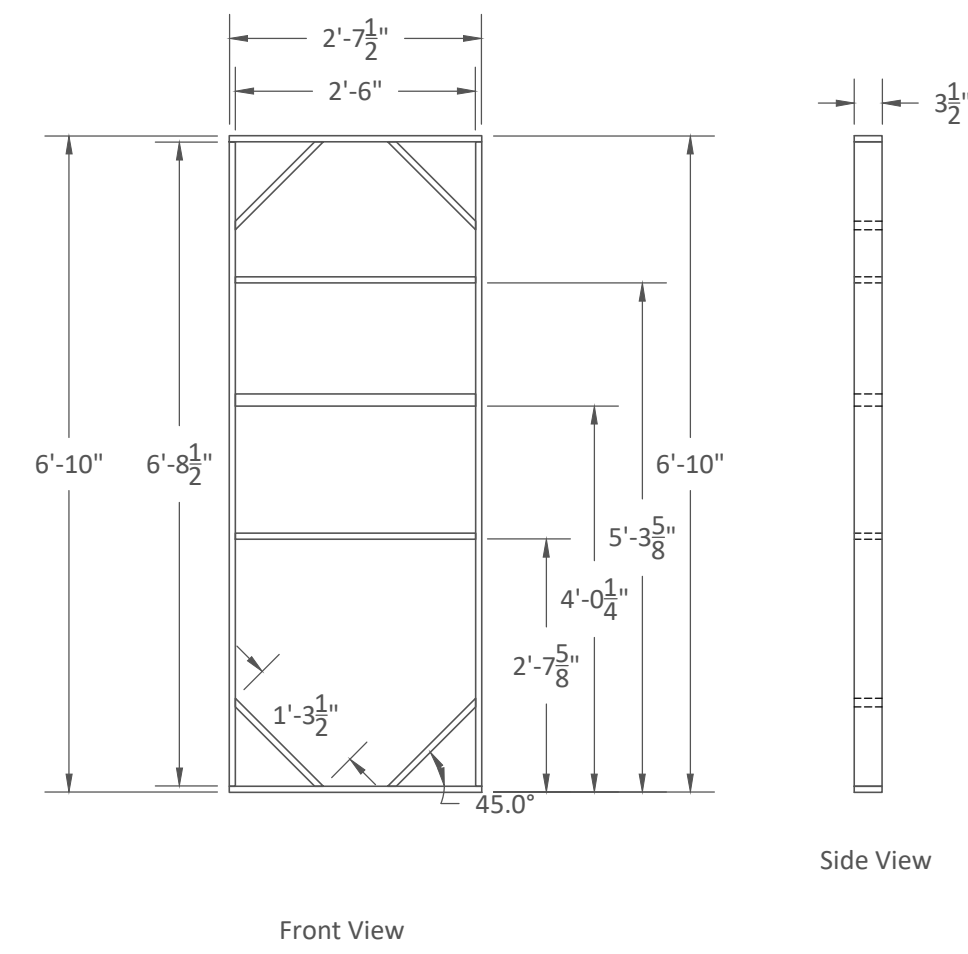
7
E48 Stock Dogs- Scale: 6" = 1'-0"
Pull 2.



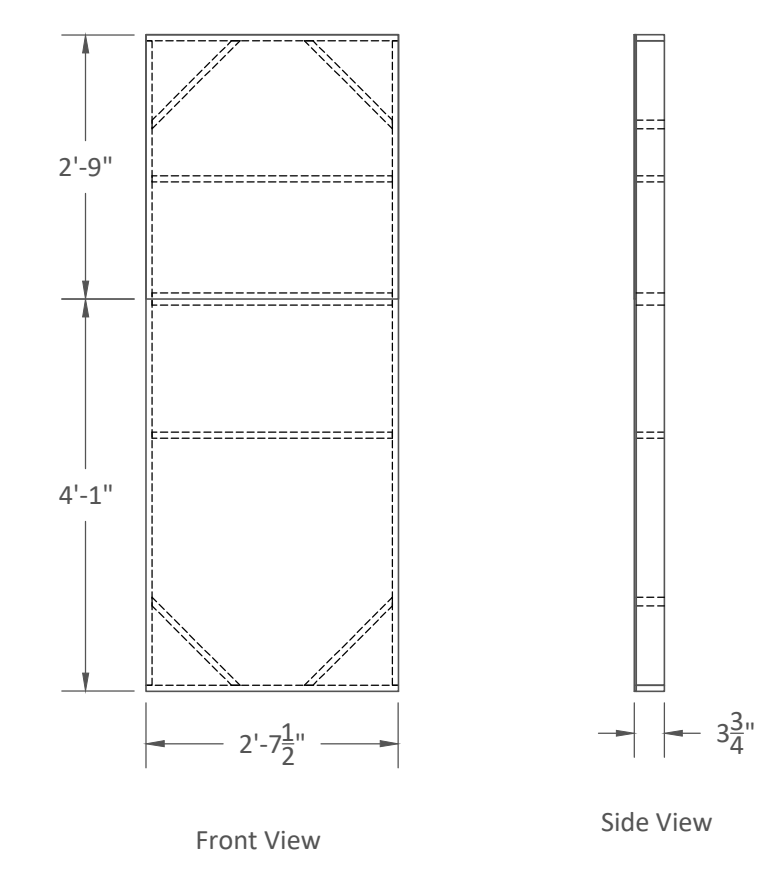
Evita

Track Door Wagon

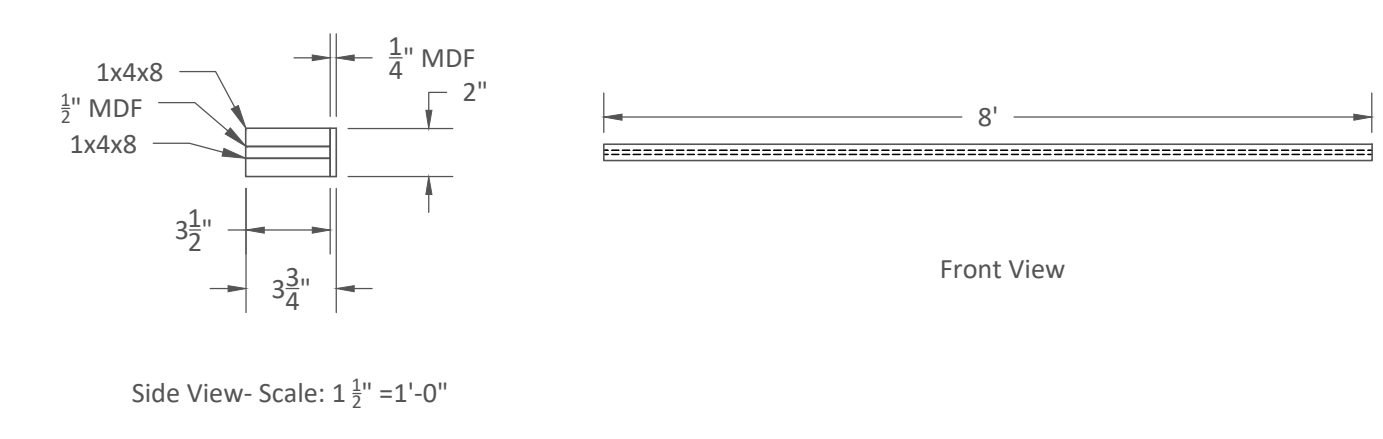
Director: D.Razze	Designer: S.TenEyck	DWG #: E48
Tech Director: Aaron Mayer	Drafted By: A.Mayer	
DWG Date: 6/8/2017	REV Date:	



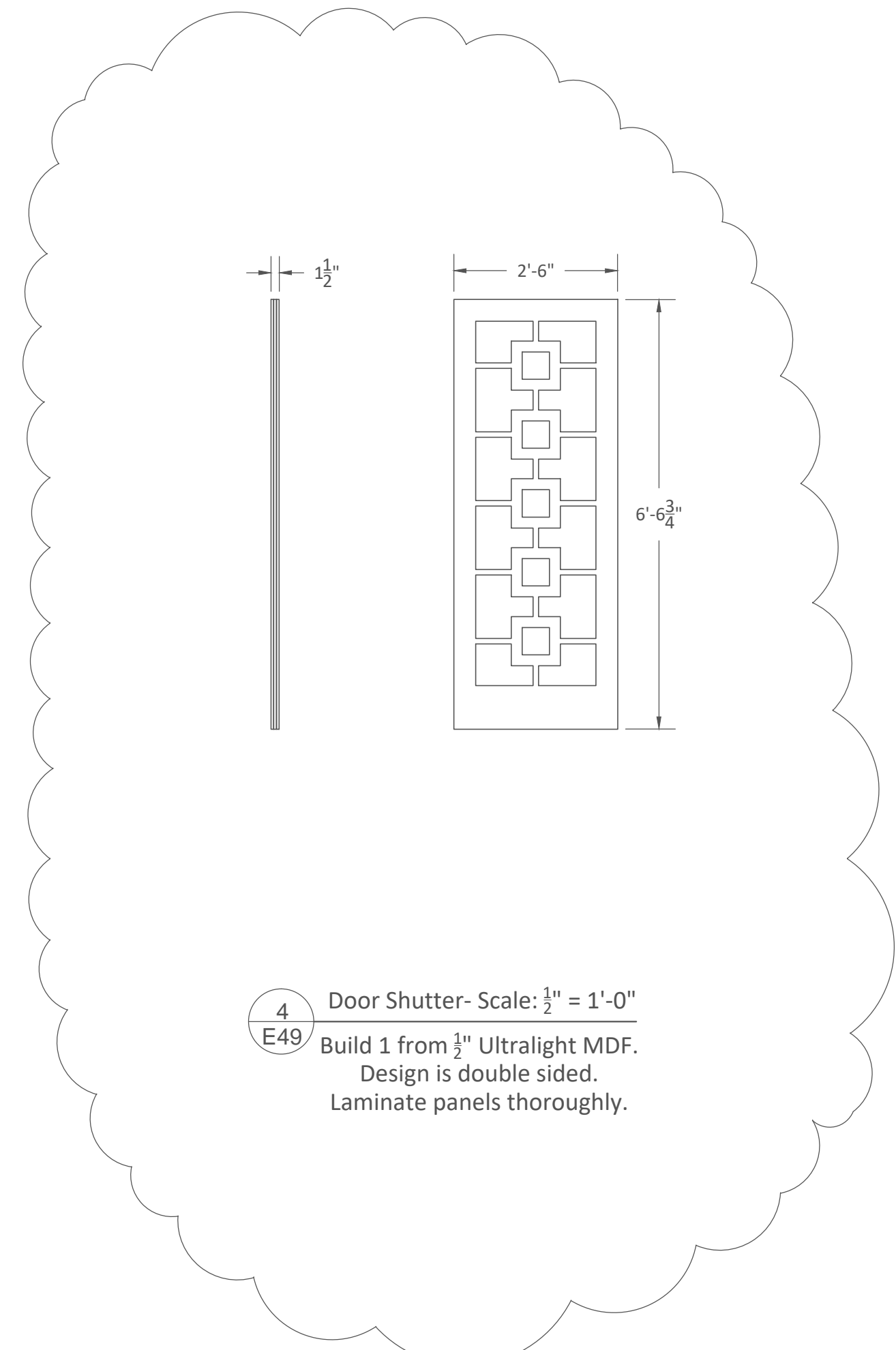
1
E49 Frame- Scale: $\frac{1}{2}'' = 1'-0''$
Build 2 from 1x4x8
Glue and Staple.
Ensure square.



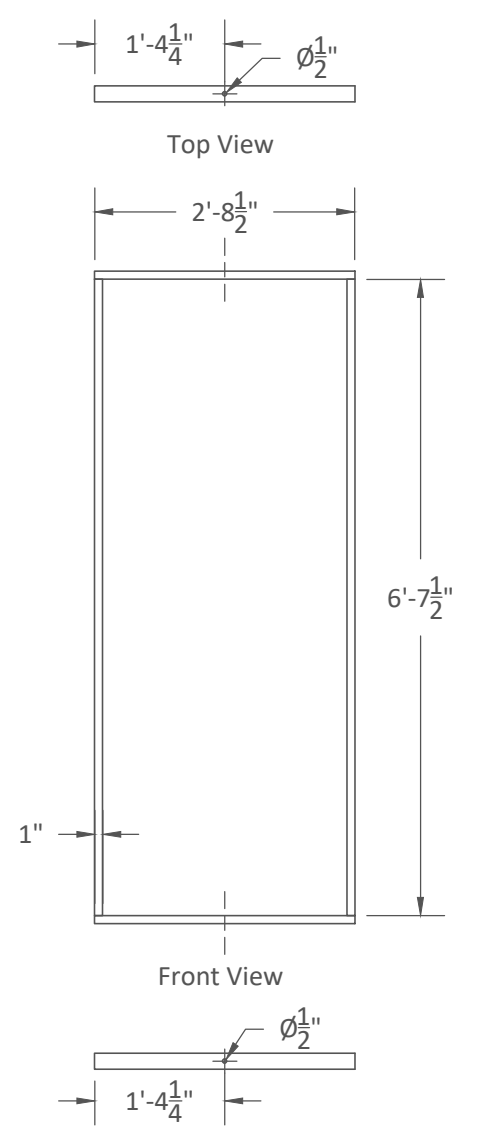
2
E49 Skin- Scale: $\frac{1}{2}'' = 1'-0''$
Skin frames with scrap $\frac{1}{4}''$ MDF.
Glue and brad.
Ensure frames are square.



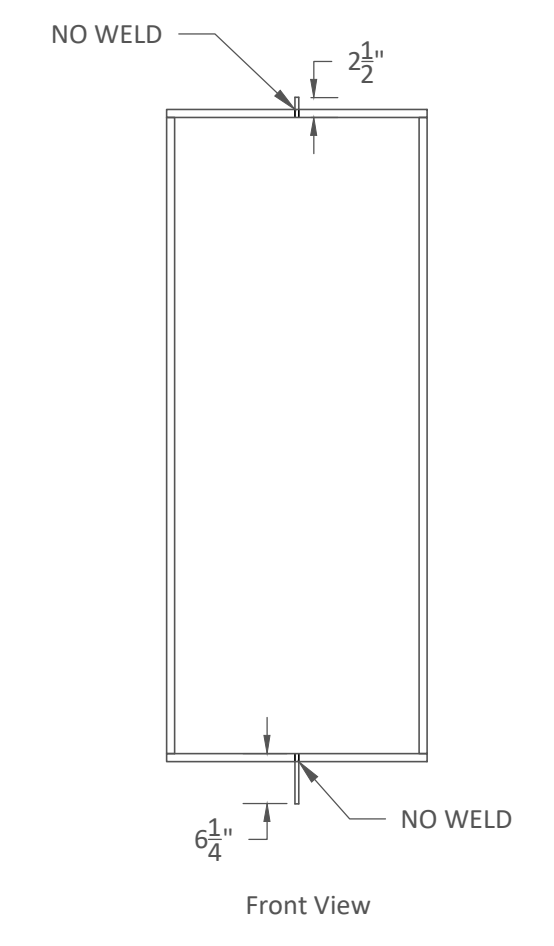
3
E49 Header- Scale: $\frac{1}{2}'' = 1'-0''$
Build 1 from 1x4x8, $\frac{3}{8}''$ Ultra light MDF,
and $\frac{1}{4}''$ Scrap MDF.
Glue and Screw, Brad facing.



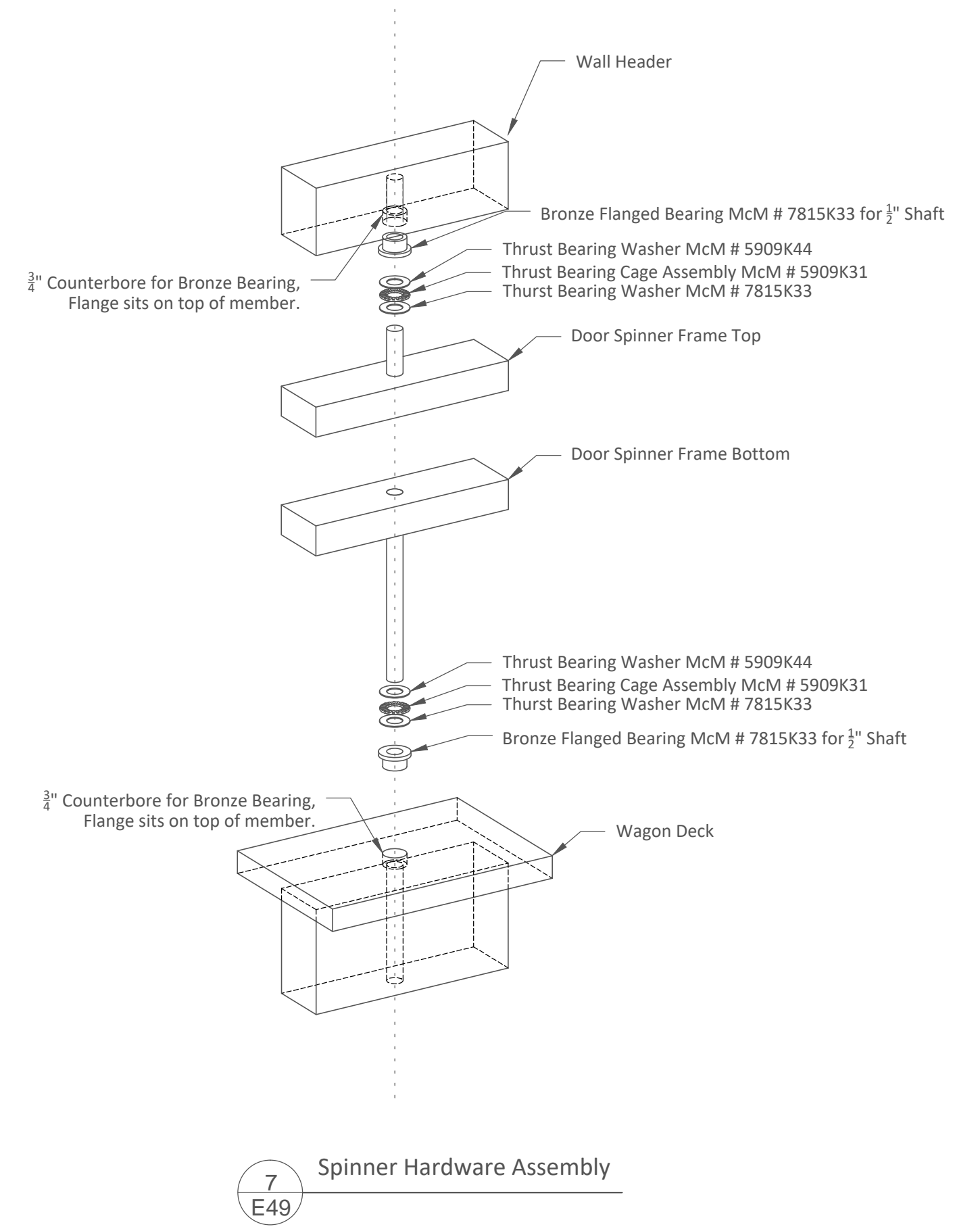
4
E49 Door Shutter- Scale: $\frac{1}{2}'' = 1'-0''$
Build 1 from $\frac{1}{2}''$ Ultralight MDF.
Design is double sided.
Laminate panels thoroughly.



5
E49 Door Frame- Scale: $\frac{1}{2}'' = 1'-0''$
Build 1 from 2x1 Box Tube.
Weld Faces and Grind smooth.
Weld fillets with smallest weld possible.
Be careful of heat warp.



6
E49 Spinner Shaft- Scale: $\frac{1}{2}'' = 1'-0''$
Weld on shaft on inside of frame.
Grind smooth, be careful of heat warp.

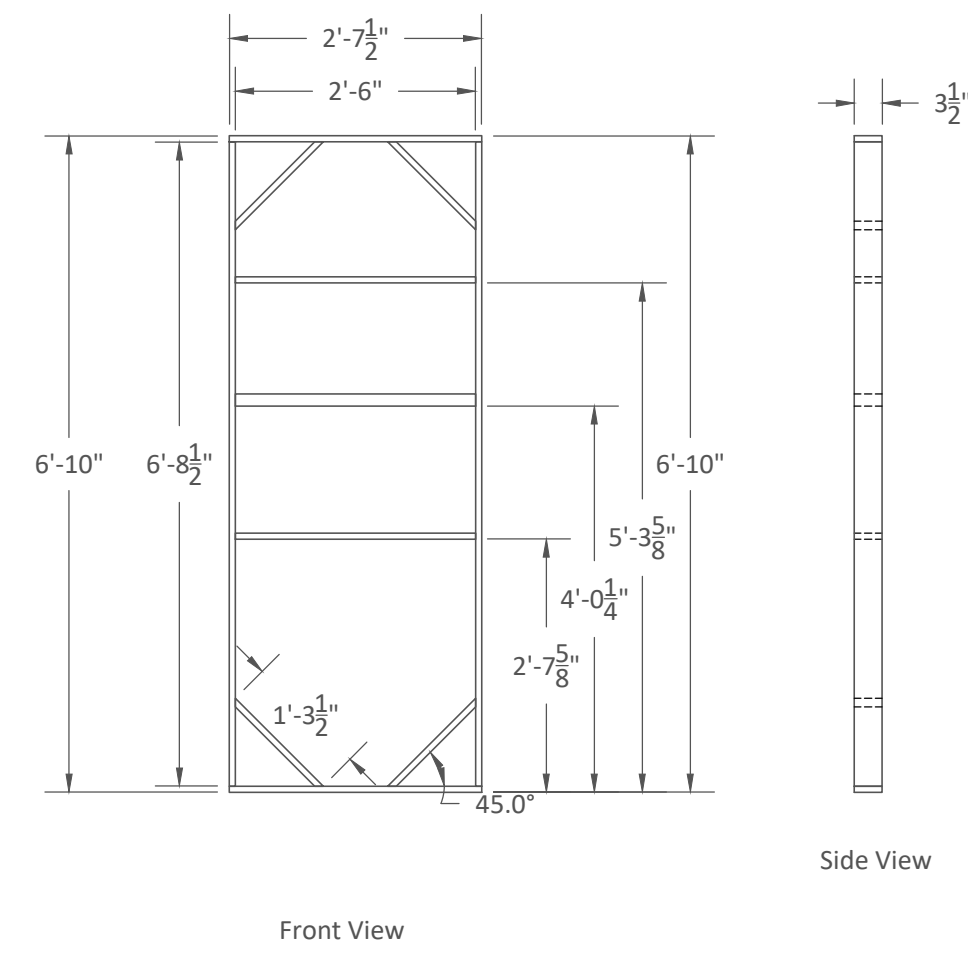


7
E49 Spinner Hardware Assembly

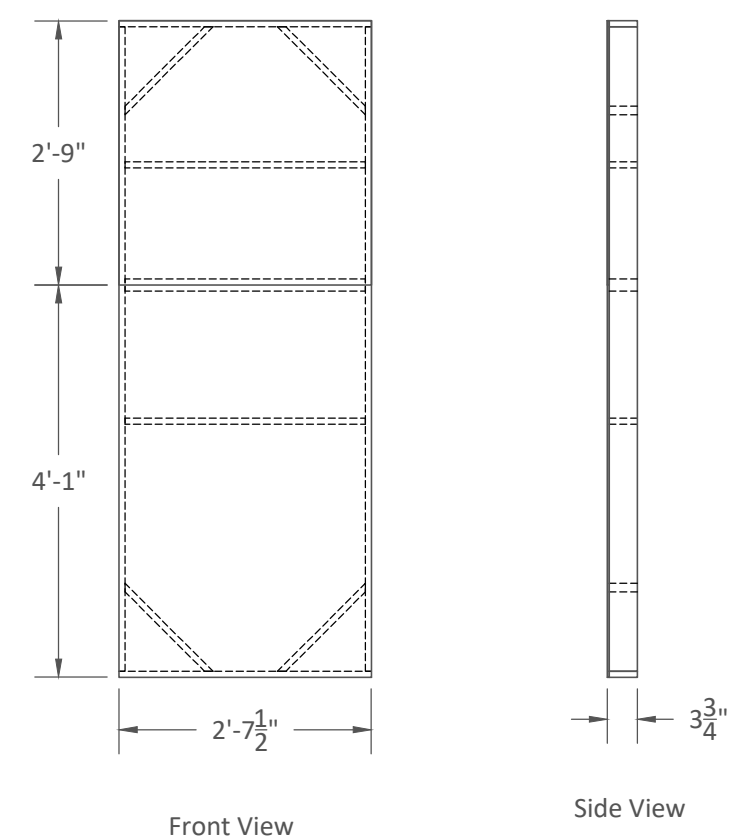


Evita

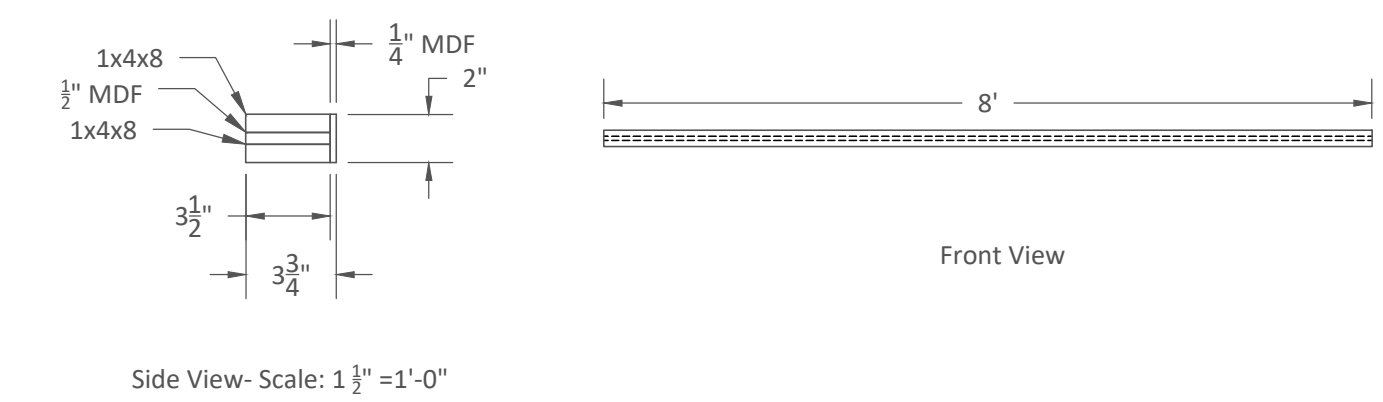
Track Door Unit Walls and Spinner Detail			DWG #:
Director: D.Razze	Designer: S.TenEyck		E49
Tech Director: Aaron Mayer	Drafted By: A.Mayer		
DWG Date: 6/8/2017	REV Date: 6/8/2017 V2	Scale: As Noted	



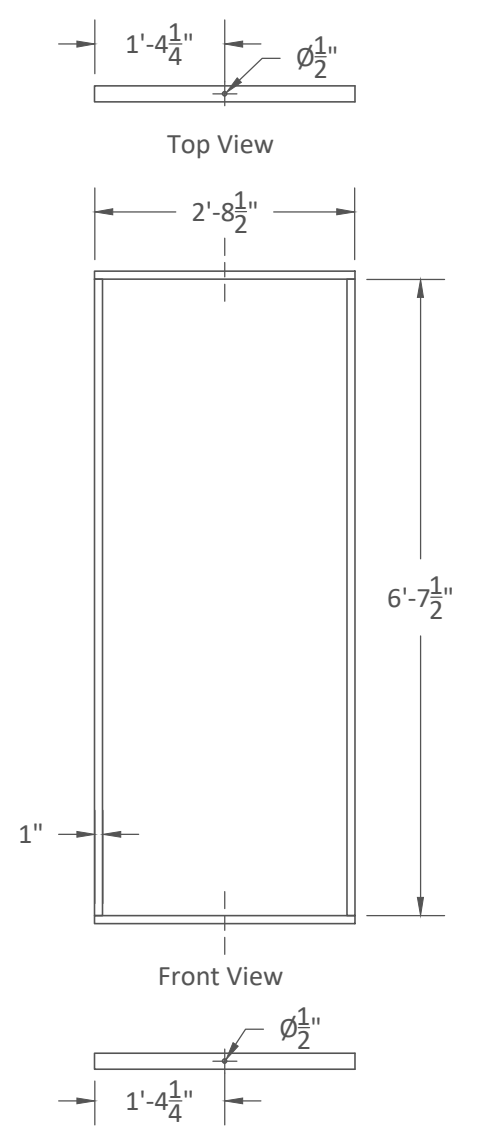
1
E49 Frame- Scale: $\frac{1}{2}'' = 1'-0''$
Build 2 from 1x4x8
Glue and Staple.
Ensure square.



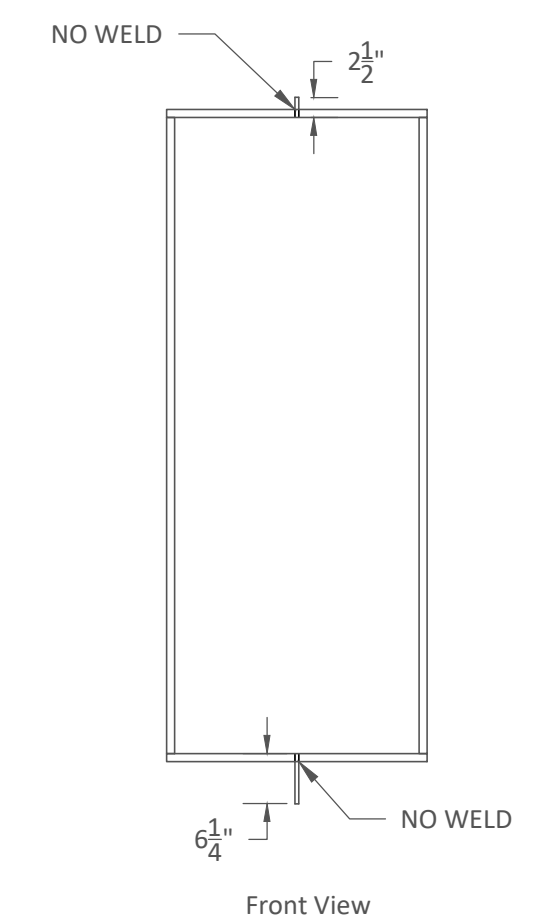
2
E49 Skin- Scale: $\frac{1}{2}'' = 1'-0''$
Skin frames with scrap $\frac{1}{4}''$ MDF.
Glue and brad.
Ensure frames are square.



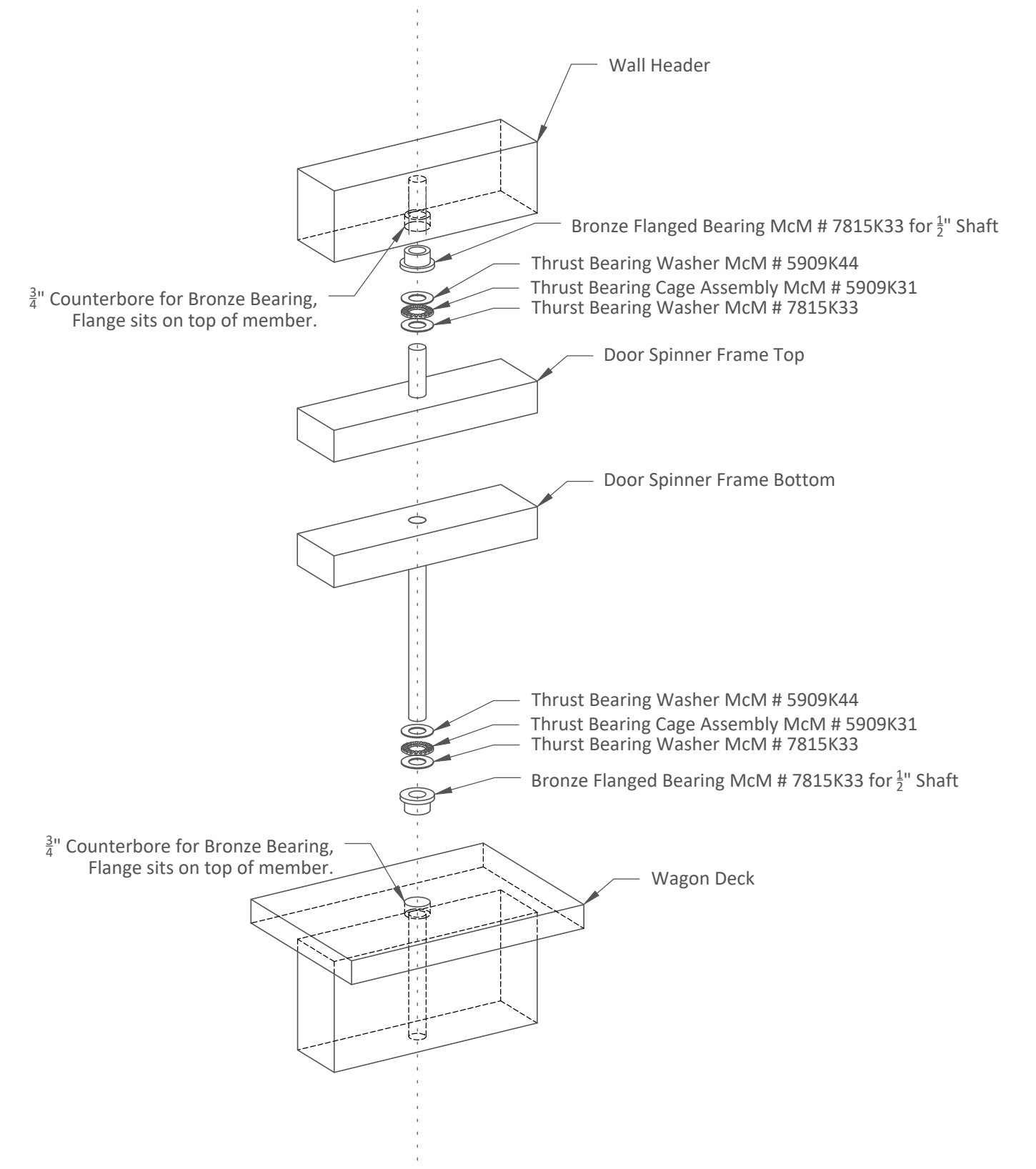
3
E49 Header- Scale: $\frac{1}{2}'' = 1'-0''$
Build 1 from 1x4x8, $\frac{3}{8}''$ Ultra light MDF,
and $\frac{1}{4}''$ Scrap MDF.
Glue and Screw, Brad facing.



4
E49 Door Frame- Scale: $\frac{1}{2}'' = 1'-0''$
Build 1 from 2x1 Box Tube.
Weld Faces and Grind smooth.
Weld fillets with smallest weld possible.
Be careful of heat warp.



5
E49 Spinner Shaft- Scale: $\frac{1}{2}'' = 1'-0''$
Weld on shaft on inside of frame.
Grind smooth, be careful of heat warp.

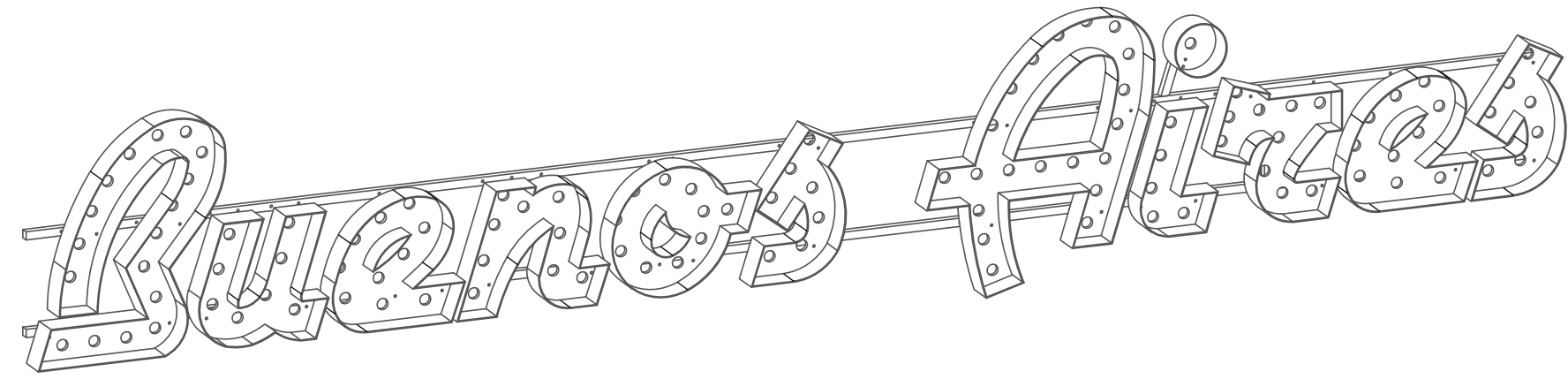


6
E49 Spinner Hardware Assembly

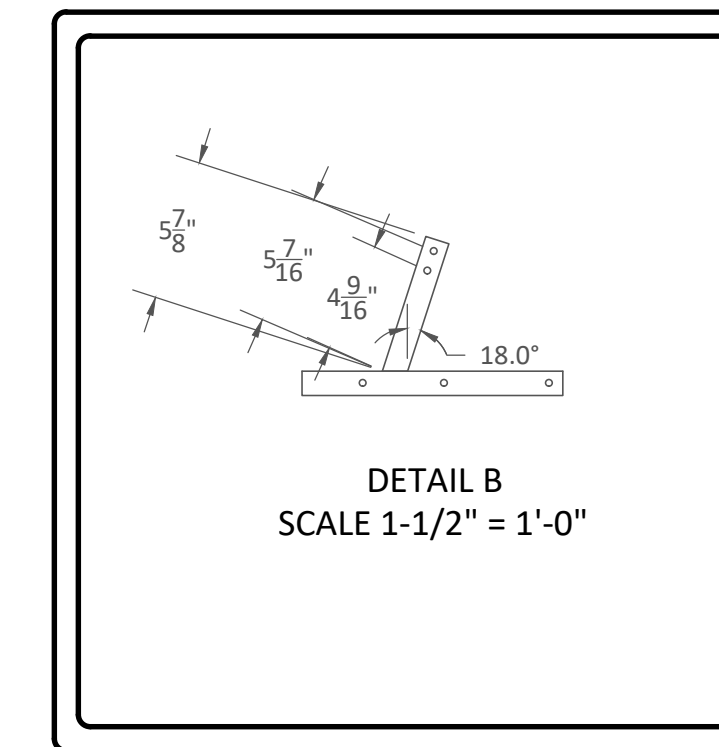
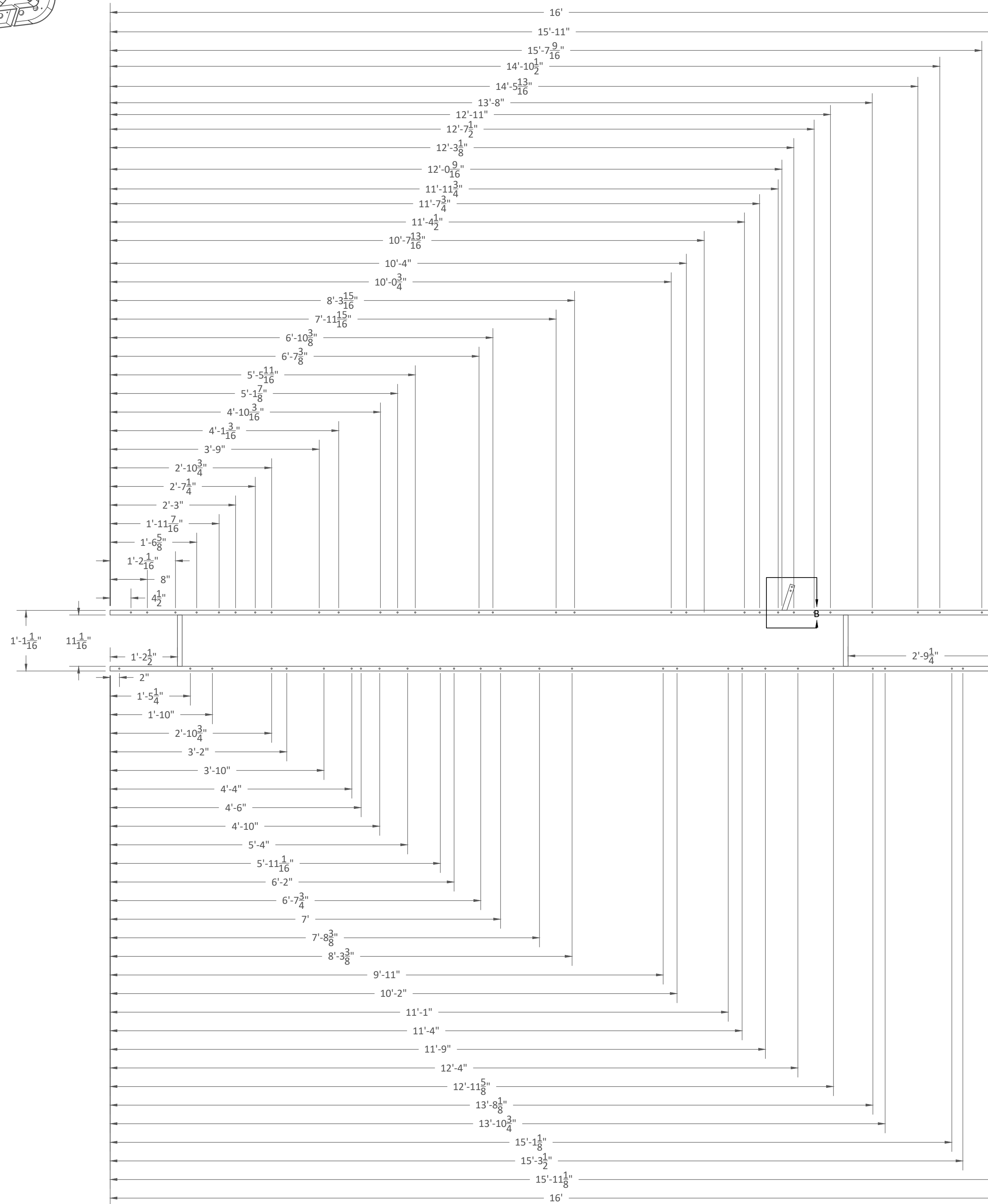
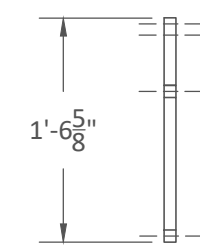


Evita

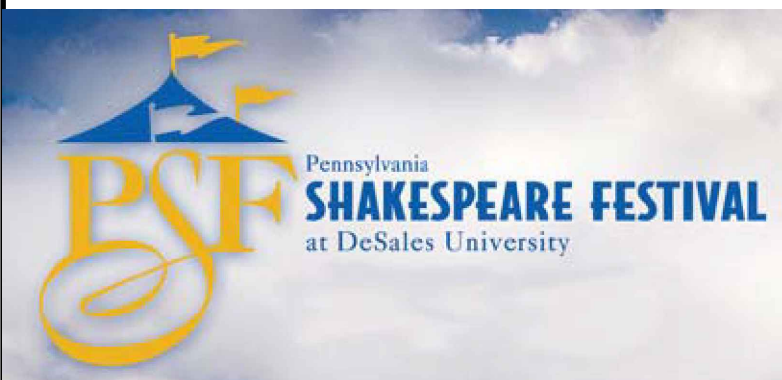
Track Door Unit Walls and Spinner Detail			DWG #: E49
Director: D.Razze		Designer: S.TenEyck	
Tech Director: Aaron Mayer		Drafted By: A.Mayer	
DWG Date: 6/8/2017	REV Date:	Scale: As Noted	



1 Buenos Aires Sign
E50



2 Sign Armature- Scale: 3/4" = 1'-0"
E50 Build 1 from 1x1 Box tube.
All holes are 9/32" Diameter and centered on member.
Weld fillets.



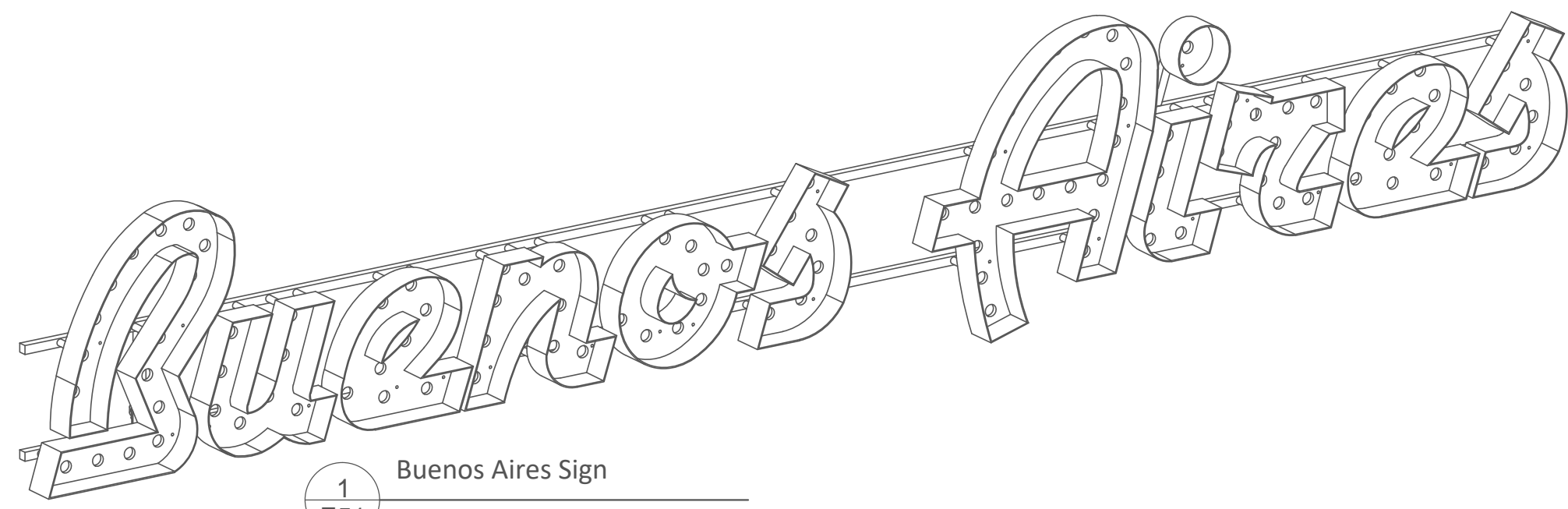
Evita

Sign Armature

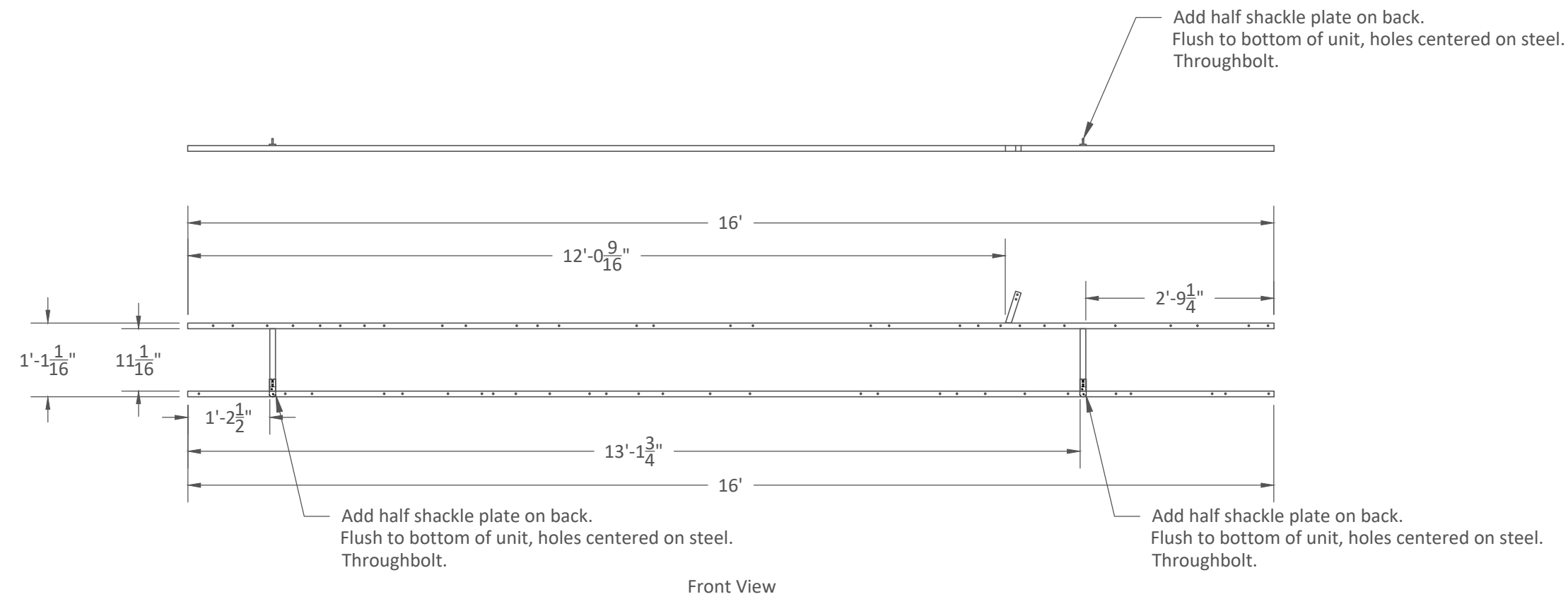
Director: D.Razze	Designer: S.TenEyck
Tech Director: Aaron Mayer	Drafted By: A.Mayer
DWG Date: 6/10/2017	REV Date: Scale: As Noted

DWG #:

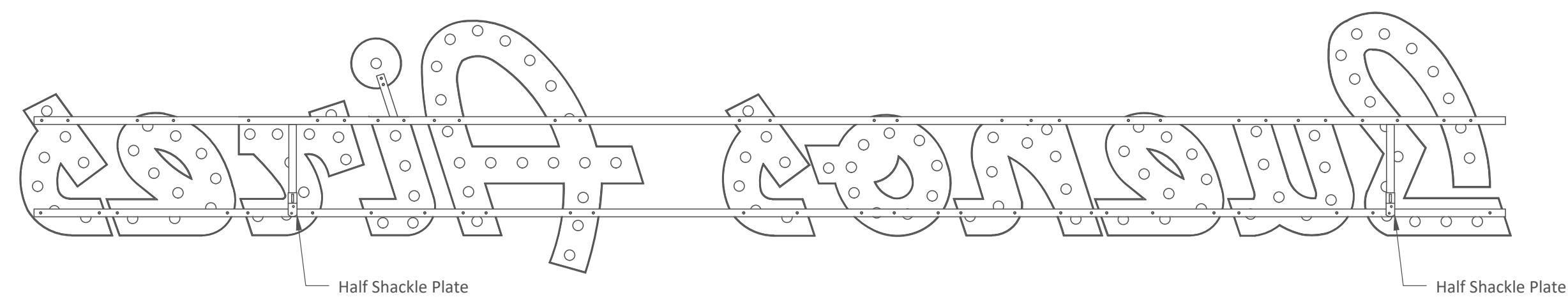
E50



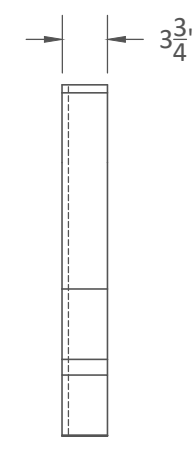
1 Buenos Aires Sign
E51



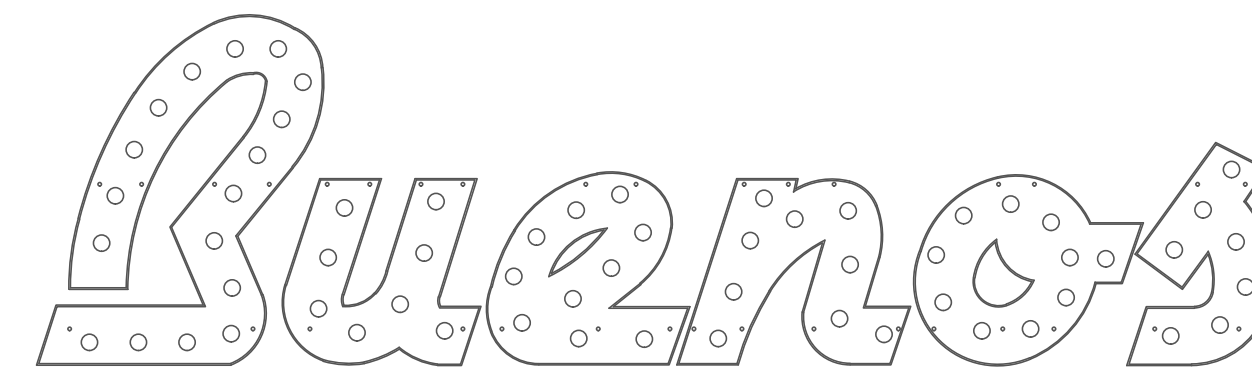
2 Sign Armature- Scale: $\frac{3}{4}" = 1'-0"$
E51 Same as frame on plate E50.



BACK View

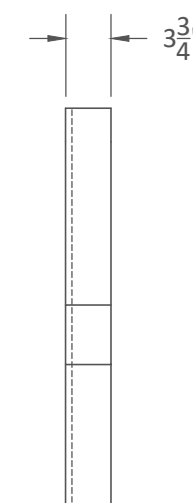


Side View

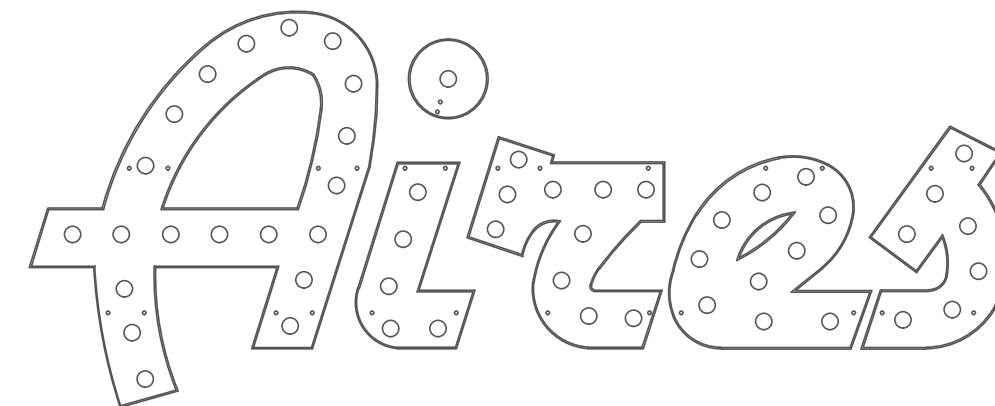


Front View

3 Letter Wraps- Scale: $\frac{3}{4}" = 1'-0"$
E51 Wrap each letter with $\frac{1}{8}"$ pre-painted Maso strips. Glue and brad. Hot glue seams.



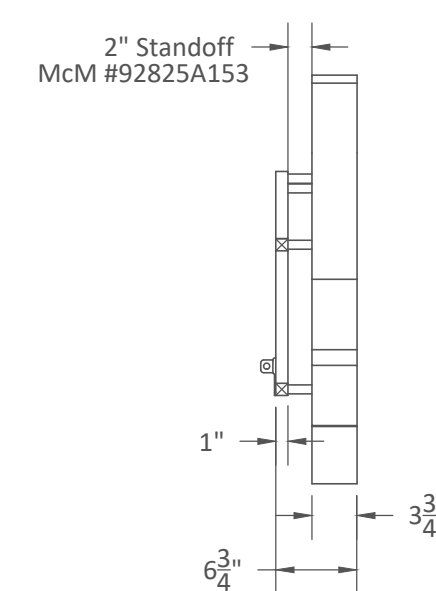
Side View



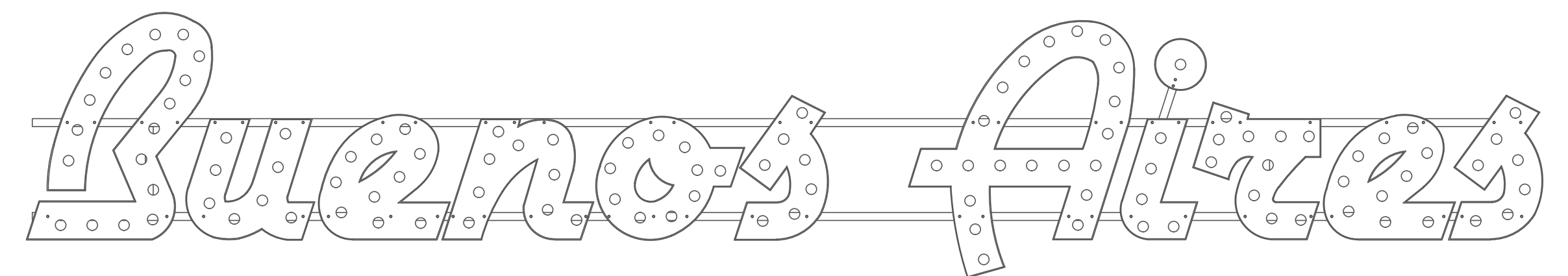
Front View

4 Letter Wraps- Scale: $\frac{3}{4}" = 1'-0"$
E51 Wrap each letter with $\frac{1}{8}"$ pre-painted Maso strips. Glue and brad. Hot glue seams.

Rigging Hardware		
Item	Length	Notes
$\frac{1}{8}"$ ACC	16'-2"	Finished length, Swag both ends
Shackles	N/A	Need 4
Turnbuckles	N/A	Need 2
Trim Chain	Standard 20 links	Need 2

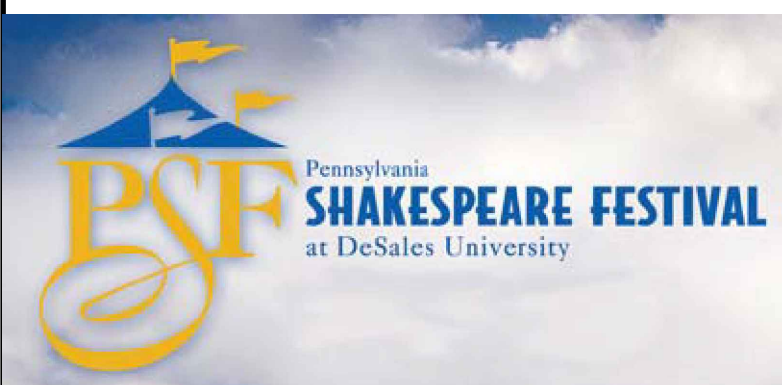


Side View



Front View

5 Assembly- Scale: $\frac{3}{4}" = 1'-0"$
E51 Assemble from components. Bolt to armature with $\frac{1}{4}"$ FHMS and 2" standoffs. Countersink carefully. Install pre-wired sockets. Rig to fly.



Evita

Buenos Aires Sign

Director: D.Razze

Designer: S.TenEyck

Tech Director: Aaron Mayer

Drafted By: A.Mayer

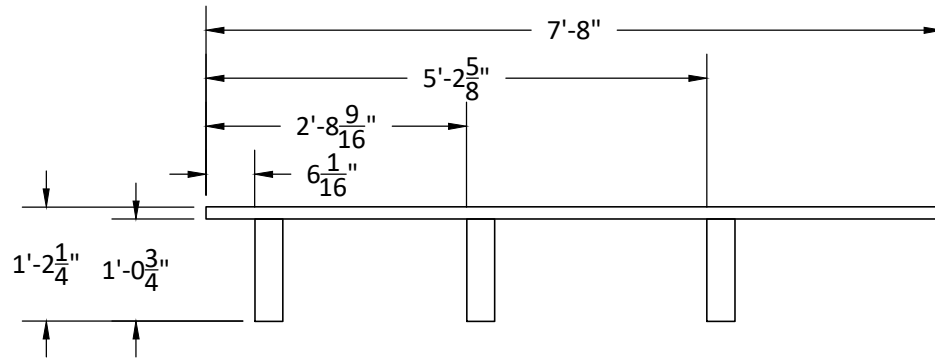
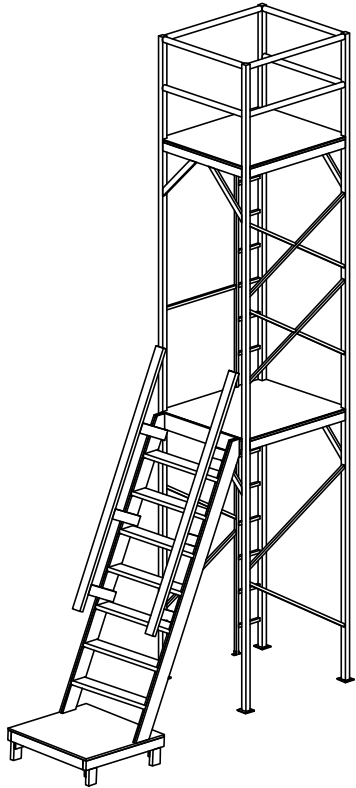
DWG Date: 6/10/2017

REV Date:

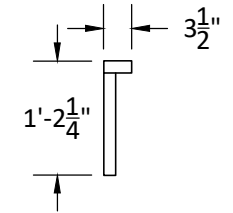
Scale: As Noted

DWG #:

E51



Front View



Side View

1
52

Ships Ladder Railing- Scale: $\frac{1}{2}'' = 1'-0''$

Build 1, R&R 1 from 2x4.
Glue and Screw, Sand smooth.



Evita

Ships Ladder Railing		
Director: D.Razze	Designer: S.TenEyck	
Tech Director: Aaron Mayer	Drafted By: A.Mayer	
DWG Date: 6/12/2017	REV Date:	Scale: As Noted

DWG #:
E52