



# RECREATIONAL INDUSTRIES



## Features:

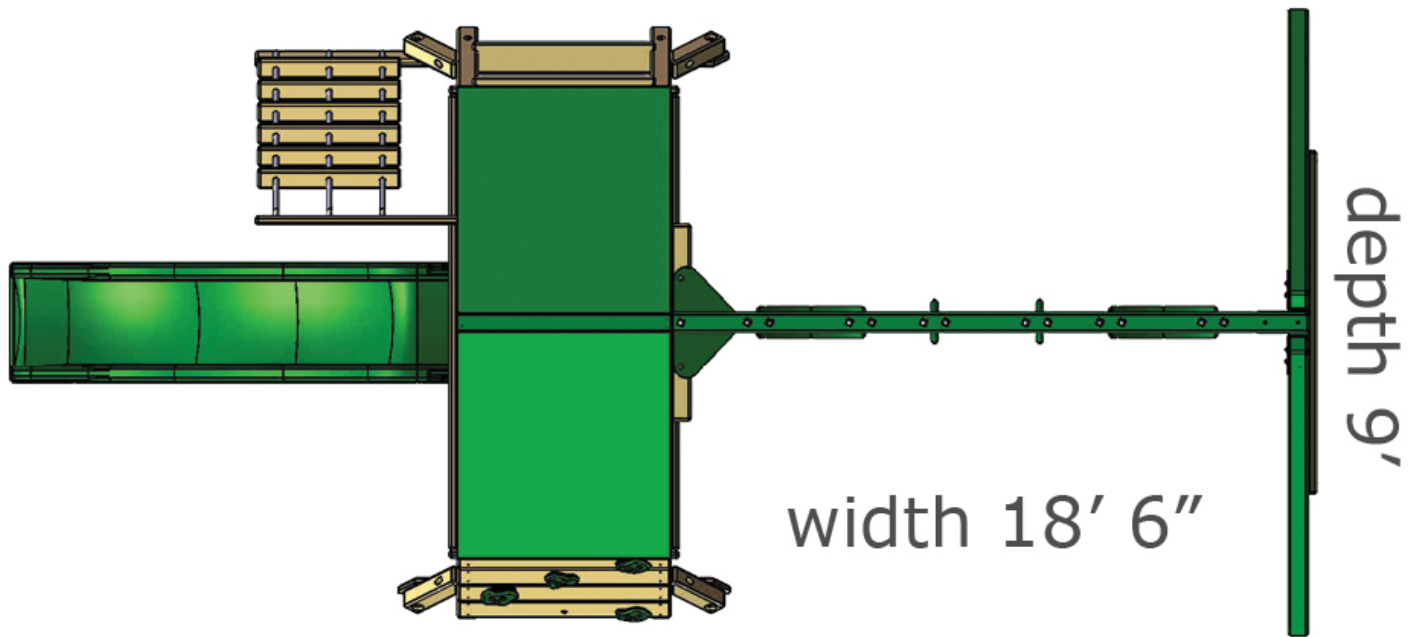
**Dimensions: 18'6"W x 9'D x 9'H**  
**Wiki Wave Slide**  
**Rock Wall with Climbing Rope**  
**Deluxe Rope Ladder**  
**Belt Swings - 2**  
**Trapeze Bar w/Rings**  
**Punching Ball**

**Tic-Tac-Toe Panel**  
**Telescope**  
**Deluxe Green Vinyl Canopy**  
**4x4 Solid Wood Framing**  
**4x6 Swing Beam w/Timber Shield**  
**Patented One-Piece A-Frame Bracket**  
**Available in Cedar with a Amber Finish**

**Gorilla Playset: High Point**

# DIMENSIONS

height 9'



## Included with Playset:

**All Required Hardware**

**All Required Lumber: Pre-cut, pre-sanded, & pre-stained. Main beams are even pre-drilled!**

**Step-by Step Illustrated Assembly Manual**

**Factory Stained Lumber that is naturally resistant to rot, decay, and insect damage**

**Limited 10-Year Warranty on Lumber, 1-Year on Accessories**

**Recommended Play Area: 30'6"W x 21'D**

**\*For Residential Use Only\***

**\*We recommend using a sealant within 90 days to help prolong the life of the play system\***



[WWW.RECREATIONALINDUSTRIES.COM](http://WWW.RECREATIONALINDUSTRIES.COM)