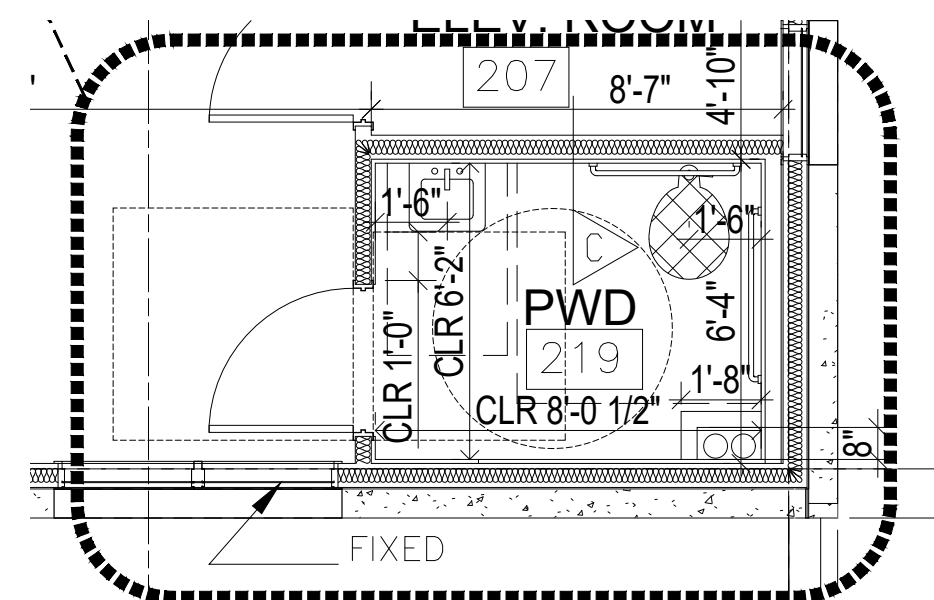
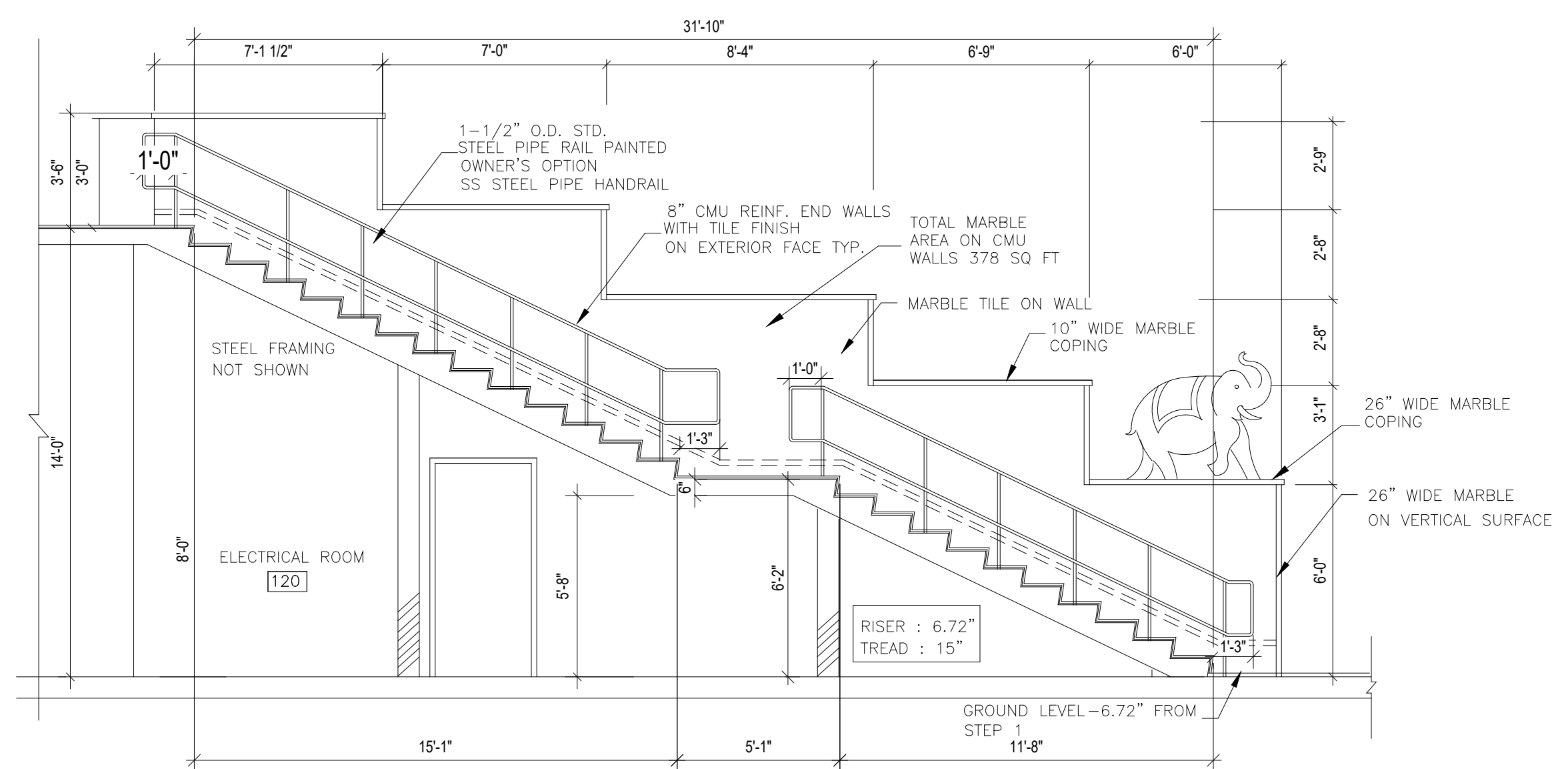


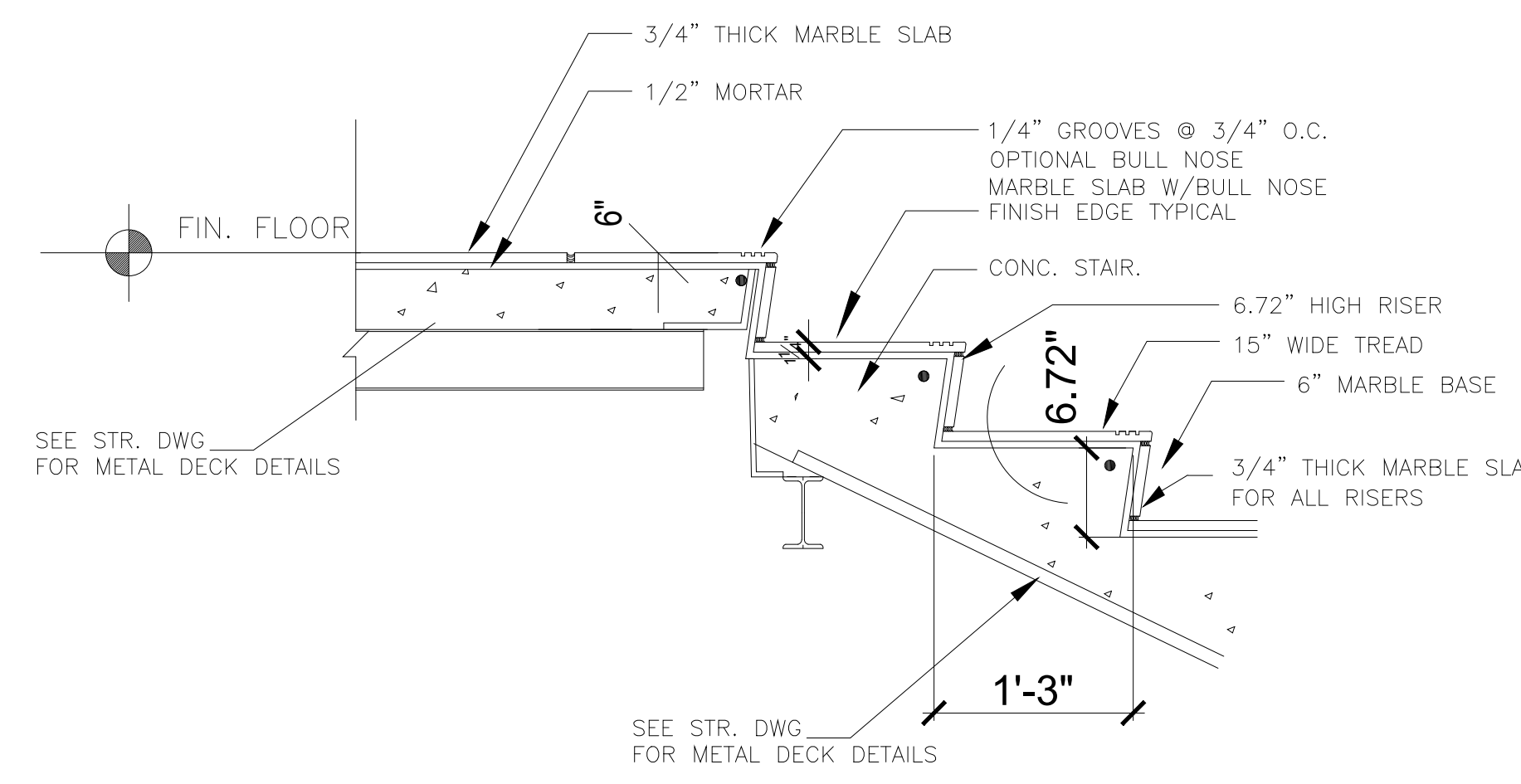
1 SECOND FLOOR PLAN (INTERIOR PARTITION DIMENSIONS CLARIFICATIONS)
SCALE: 1/8" = 1'-0"



2 ENLARGED RESTROOM PLAN
SCALE: 1/4" = 1'-0"



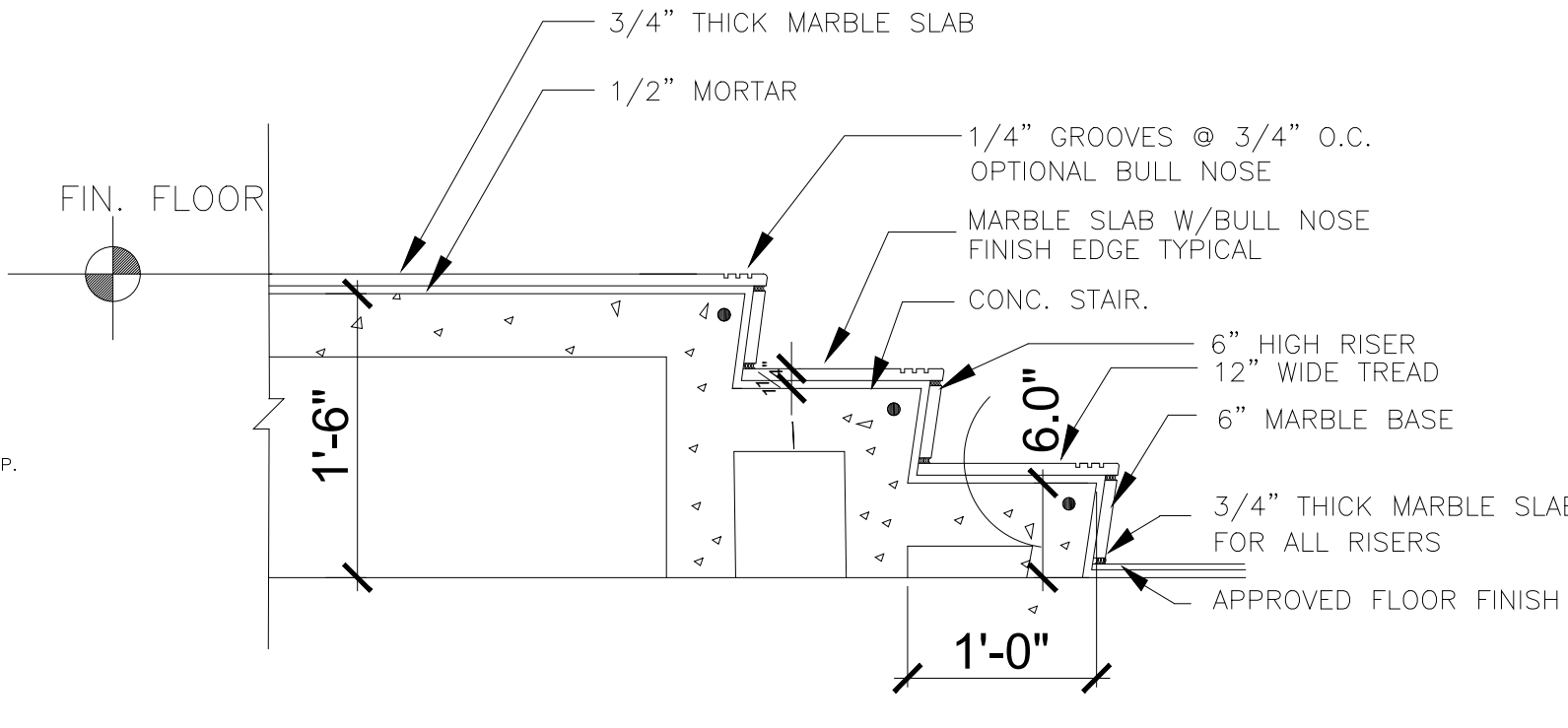
3 SECTION THROUGH STAIR
SCALE: 1/4" = 1'-0"



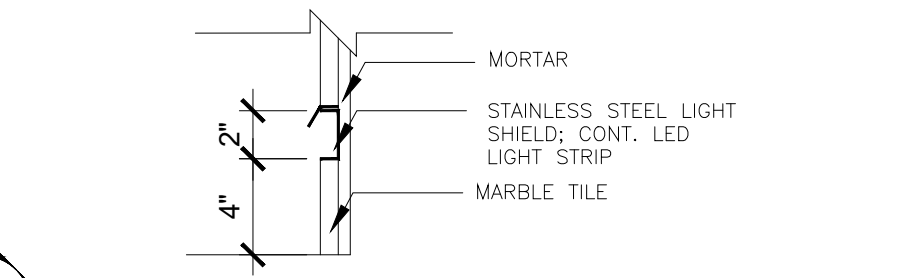
4 STAIRCASE DETAIL
SCALE: 1" = 1'-0"

NOTE:
CONTRACTOR TO CO-ORDINATE ALL PLUMBING FIXTURES WITH GRADE BEAMS AND PIER CAPS. ALL FIXTURES TO BE COORDINATED WITH WALL FINISHES : 5/8" GYPSUM BOARD + 1/2" TILE.
DIMENSIONS NOTED TO FACE OF STUD

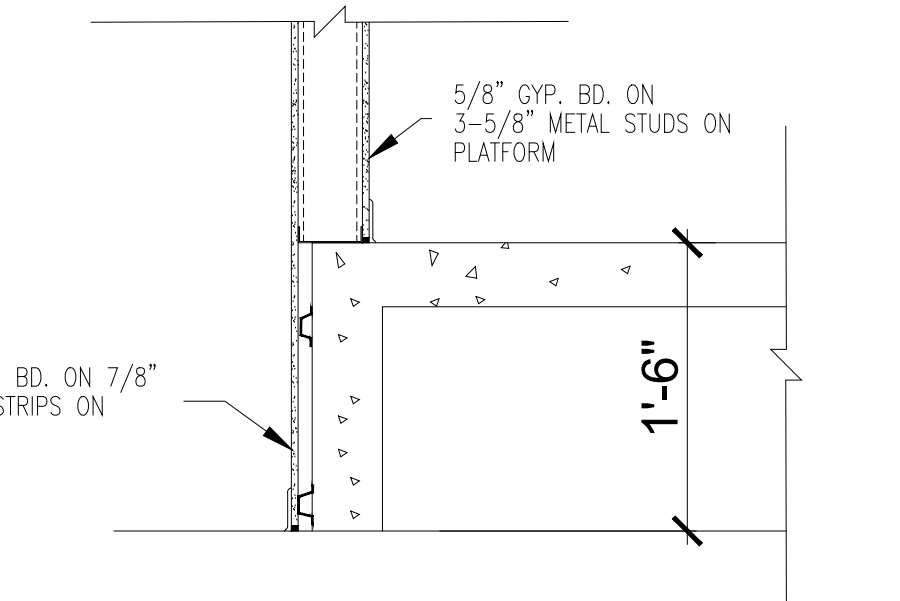
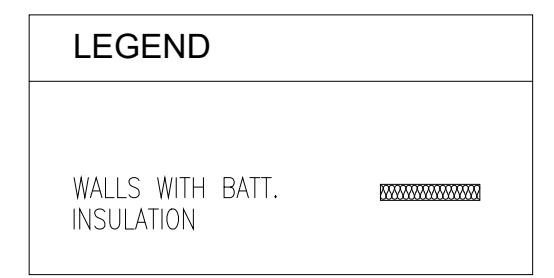
- GENERAL NOTES:**
- WALL TYPE "A" IS TYPICAL AT INTERIOR WALLS, WALL TYPE "B" IS FOR TYPICAL EXTERIOR WALLS.
 - WHERE WALL TYPES WITH GYP. BD. FINISH AND DIFFERENT THICKNESS' ADJOIN IN SAME PLANE, ALIGN FACES OF GYP. BD. FLUSH.
 - PROVIDE GYP. BD. C.J'S AT ALL INTERIOR PARTITIONS AT DOORS AND WINDOWS I.A.W. DETAILS. IN ADDITION, PROVIDE C.J'S AT 30'-0" OC MAX. AT INTERIOR PARTITIONS/BLKHS.
 - DIMENSIONS FROM COLUMN LINE TO COLUMN LINE ARE FOR REFERENCE ONLY. REF TO STRUCTURAL FOR ADDL INFO.
 - KNOX-BOX, KNOX COMPANY 3200 SERIES, RECESSED WITH WEATHER RESISTANT TOIC POLYESTER POWDER COAT. WITH ALUMINIZATION FOR FURTHER RUST AND CORROSION PROTECTION. DARK BRONZE. FINAL LOCATION TO BE COORDINATED WITH CITY FIRE MARSHAL.
 - ALL DOORS TO BE 3'-0" x 7'-0" U.O.N.
 - IN ROOMS WITH FLOOR DRAINS, FLOOR TO SLOPE TOWARDS FLOOR DRAINS UON. REF PLUMBING DWGS FOR ADDITIONAL INFORMATION & DRAIN LOCATION.
 - REF TO EXTERIOR ELEVATIONS FOR ADDITIONAL EXTERIOR FINISH INFO. TYP.
 - ALL GYP BD TO BE 5/8" TYPE "X" UON OR AS REQUIRED FOR A PARTICULAR RATED ASSEMBLY.
 - CEMENTITIOUS BACKER BOARD SHALL BE SUBSTITUTED FOR GYP BD AT SHOWERS BEHIND CT AND IN PLUMBING WALLS BEHIND ALL PLUMBING FIXTURES, AND WHERE TILE IS SCHEDULED, EXCEPT AS NOTED ABOVE.
 - PROVIDE CONT. ACOUSTICAL SEALANT ON BOTH SIDES AND AT TOP AND BOTTOM OF ALL WALLS TO DECK, TYP.
 - USE NON-ASBESTOS & NON HAZARDOUS PRODUCTS ON THE PROJECT DURING CONSTRUCTION PROCESS AND IN ANY PART OF THIS FACILITY.



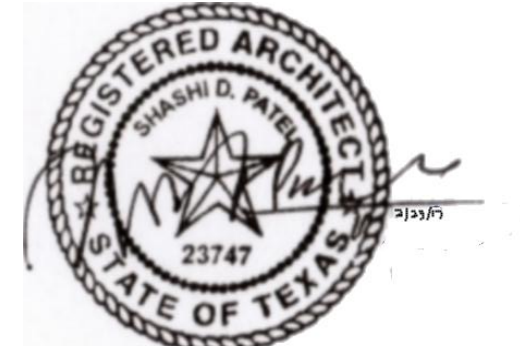
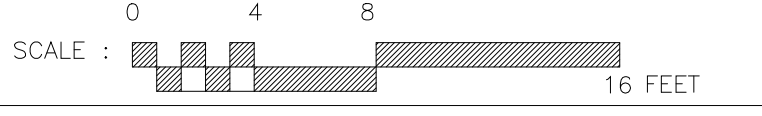
7 SECTION THROUGH STEPS AT ALTAR
SCALE: 1" = 1'-0"



6 LED LIGHT STRIP DETAIL AT STAIRCASE BASE
SCALE: 1/2" = 1'-0"



5 SECTION AT ALTAR
SCALE: 1" = 1'-0"



rev	
rev	2. 02-23-2017
rev	1. 01-18-2017
date	10-05-2015 released for const.
scale	AS NOTED
drawn by	CADD-NV

SHASHI D. PATEL AIA NCARB
ARCHITECTS AND PLANNERS
442 EAST END AVE. STE-B. PITTSBURGH PA 15221

SECOND FLOOR PLAN
CONSTRUCTION DOCUMENT PHASE
RADHA KRISHNA TEMPLE
ALLEN TEXAS

COPYRIGHT © 2015 BY SHASHI D. PATEL AIA. ALL RIGHTS RESERVED. REPRODUCTION IN PART OR WHOLE IS PROHIBITED WITHOUT A WRITTEN CONSENT FROM SHASHI D. PATEL AIA NCARB