



Luminaerospace LLC



7788 Oxford Ct, North Huntingdon, PA 15642 Phone 1-412-613-2186

January 14, 2020
Q20-01-14-1

Luminaerospace, LLC - Proprietary and Confidential Information

LINEAR REPLACEMENT LENSES

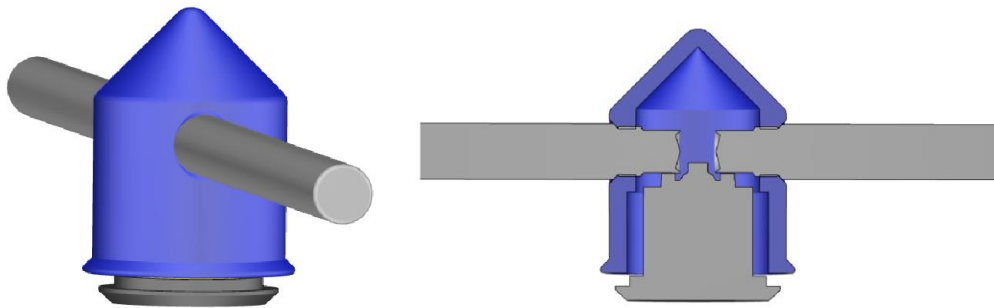
RE: Linear Replacement Lenses for existing Elevated LED Edge Lights
Illuminates with same color as source LED

OVERVIEW

Luminaerospace is pleased to propose the supply of Linear Replacement Lenses for existing Elevated LED Edge Lights, L-861(L). While the customer is responsible for confirming that the Linear Replacement Lenses will fit on existing fixtures, Luminaerospace designed the lens in this proposal to fit the ADB Safegate ETES-XXXX (including those with the Arctic option) and FAIAS Lighting Products FLP-L861-X-XX. Each Linear Replacement Lens has an outside diameter of 2.5” and a securing flange diameter of 2.75”. The existing weather seal, retaining ring and mounting hardware are reutilized to secure the new lens, then two rods per assembly (also supplied through this proposal) are secured into threaded holes and tightened by hand. Benefits of the linear lens include:

- Improved boundary recognition of intersections, pavement edges and obstructions
- Visual indication of both location and orientation of boundaries
- Reduce (or eliminate) incidents, accidents, incursions and excursions caused by inadequate and antiquated markings
- Meets specifications of AC 150/5345-46 and EB67 when installed on compliant fixtures. Linear replacement lenses are allowed per FAA Engineering Division AAS-100, including in 139 Movement Areas; however, AIP funds from PFC are restricted from use for purchase since the certification was conducted using the OEM glass lens
- Fewer lamps needed to define edge of complex boundaries or sharp pavement turns
- Overall situational awareness improvement
- Simple add on; remove glass and replace with linear adaptation
- Existing manufacturers LED, driver and fixture are utilized
- State of the art materials are also used in “bullet proof” applications
- 11 times stronger than glass; hail resistant
- 15 year material manufacturer guarantee that the lens and rod color will not “yellow”
- Favorable Intertek ALECP Engineering Review of design
- Lens functions with blue, red, green, amber or white light engines, mimics LED color
- Your organization will be recognized as an industry leader

Blue Hub shown for illustration purposes, translucent Hubs **without pigment** supplied



Please visit www.luminaerospace.com for additional photos, publications and details

PRICE AND DELIVERY

(1) 7788G10R00 - Each Linear Adaptation Assembly (1 Hub, 2 Rods) \$33 USD/ea

Delivery:

Quantity - 1 or 2 Assemblies, 1 week ARO, FOB Pittsburgh, PA, USA Temporarily SOLD OUT

Quantity - 3 or more, 6 weeks ARO, FOB Zhongshan City, Guangdong China

LUMINAEROSPACE CONTACT

Scott Stauffer
CoFounder
1-412-613-2186

LUMINAEROSPACE GENERAL TERMS AND CONDITIONS OF SALE

1. This quotation, and all technical and/or business information that it contains, is confidential information between Luminaerospace LLC, its authorized distributors, and customer. It is only valid for thirty (30) days from the date tendered unless otherwise extended, in writing, by Luminaerospace.
2. A 20% cancellation and restock fee applies to all orders over \$500 (USD) however this does not supersede, replace or change any agreement in place between Luminaerospace LLC and customer.
3. Payment is due net (30) days following date of invoice for installment. Price (USD) for all Luminaerospace LLC deliverables, as described in this proposal, are payable in the following installments:

ARO 0%
Delivery 100%

4. Ownership of engineered drawings and all related intellectual property from work or work product shall not vest with customer. Luminaerospace products are protected by US and foreign patents including: US 8,454,189 B2; US 9,193,482 B2; EP2606483 B1; CN103262140 (B); others pending.
5. Customer shall ensure that existing fixtures are compatible models for use with these linear adaptations, with assistance from Luminaerospace.
6. Any product damaged by external forces or neglect may not be returned; also enforced under alternative payment terms (if applicable).
7. Incoterms FOB - "Free On Board" means that the seller delivers the goods on board the vessel nominated by the buyer at the named port of shipment or procures the goods already so delivered. The risk of loss or damage to the goods passes when the goods are on board the vessel, and the buyer bears all costs from that moment onwards.