

**Installation Instructions for Air Options  
JT Series Compressed Air Dryers**

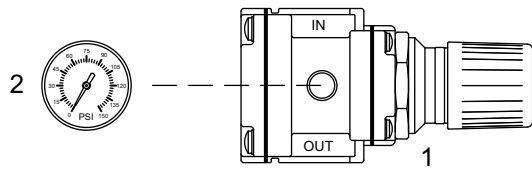
1. Unpack dryer and inspect for damage. Any damage should be reported to the shipper immediately.
2. Assemble the master regulator to the body of the dryer as shown. **Note Flow Direction**
3. Install bushing and drain valve.  
  
Or: Install optional automatic electronic drain. **Recommended**
4. Connect and support the dryer to the distribution system via the output port.  
  
Or: support the dryer with the optional wall mount. **Recommended**
5. Connect the output of the compressor tank to the input of the master regulator. Use flex joint or heavy duty hose to isolate the dryer from the compressor vibration. **Recommended**
6. **Adjust the "Cut Off" pressure of the compressor to 175 PSI. Adjust the "Cut On" pressure of the compressor to 150 PSI. Refer to your compressor manual for this procedure.**
7. Using the pressure adjustment knob and the output pressure gauge, **adjust the dryer output pressure to 90 - 125 PSI.** (100 PSI is preferred)
8. Dryer is now in service.
9. Drain trap daily or more frequently if necessary.  
  
Or if **recommended** automatic electronic drain is used: Adjust the open time to 2-5 seconds and the interval time to 30-45 Minutes.

**Note:**  
Dryer must be mounted vertically as shown.

- 1/2" x 1/4" Bushing (Supplied)
- 1/4" Drain Valve (Supplied)

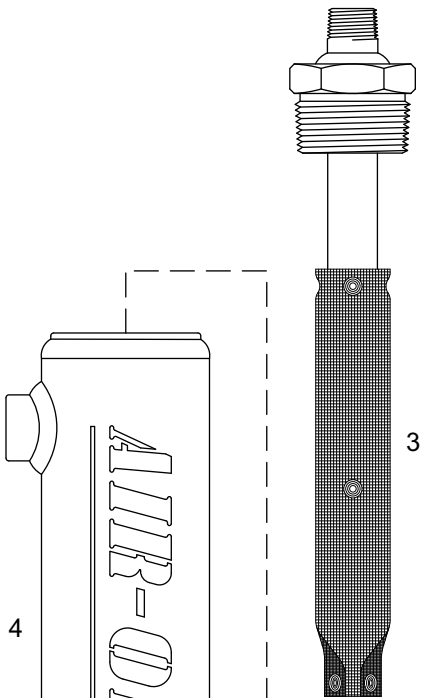
Automatic electronic drain is recommended (Optional)

### JT-25 (25 SCFM)



| Item | Description                 | Part Num.    |
|------|-----------------------------|--------------|
| 1    | 1/2" Master Regulator       | 50-PR-JN     |
| 2    | 2" 160 PSI Rear Mount Gauge | PG-160-25    |
| 3    | 1/2" Consolidation Element  | JT-000020-25 |
| 4    | Body                        | JT-020022    |
| 5    | 1/2" x 1/4" NPT Bushing     | na           |
| 6    | 1/4" MNPT Drain Valve       | 09432-04     |
| 7    | Label (Small)               | DRY-10026    |
| 8    | Anti-Seize Compound         | 09432-04     |

### JT-40 (40 SCFM)



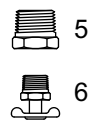
| Item | Description                 | Part Num.    |
|------|-----------------------------|--------------|
| 1    | 3/4" Master Regulator       | 75-PR-JN     |
| 2    | 2" 160 PSI Rear Mount Gauge | PG-160-25    |
| 3    | 3/4" Consolidation Element  | JT-000020-40 |
| 4    | Body                        | JT-040022    |
| 5    | 1/2" x 1/4" NPT Bushing     | na           |
| 6    | 1/4" MNPT Drain Valve       | 09432-04     |
| 7    | Label (Large)               | DRY-10026    |
| 8    | Anti-Seize Compound         | 09432-04     |

### JT-80 (80 SCFM)



| Item | Description                 | Part Num.    |
|------|-----------------------------|--------------|
| 1    | 1" Master Regulator         | 100-PR-JN    |
| 2    | 2" 160 PSI Rear Mount Gauge | PG-160-25    |
| 3    | 1" Consolidation Element    | JT-000020-80 |
| 4    | Body                        | JT-080022    |
| 5    | 1/2" x 1/4" NPT Bushing     | na           |
| 6    | 1/4" MNPT Drain Valve       | 09432-04     |
| 7    | Label (Large)               | DRY-10026    |
| 8    | Anti-Seize Compound         | 09432-04     |

### JT-120 (120 SCFM)



| Item | Description                  | Part Num.     |
|------|------------------------------|---------------|
| 1    | 1-1/2" Master Regulator      | 150-PR-AR     |
| 2    | 2" 160 PSI Rear Mount Gauge  | PG-160-25     |
| 3    | 1-1/2" Consolidation Element | JT-000020-120 |
| 4    | Body                         | JT-120022     |
| 5    | 1/2" x 1/4" NPT Bushing      | na            |
| 6    | 1/4" MNPT Drain Valve        | 09432-04      |
| 7    | Label (Large)                | DRY-10026     |
| 8    | Anti-Seize Compound          | 09432-04      |

Air Options, Inc  
P.O. Box 35984  
Houston, Texas 77235-5984

www.Air-Options.com  
www.JTDryers.com  
Ph.: 713-721-9619