


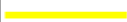


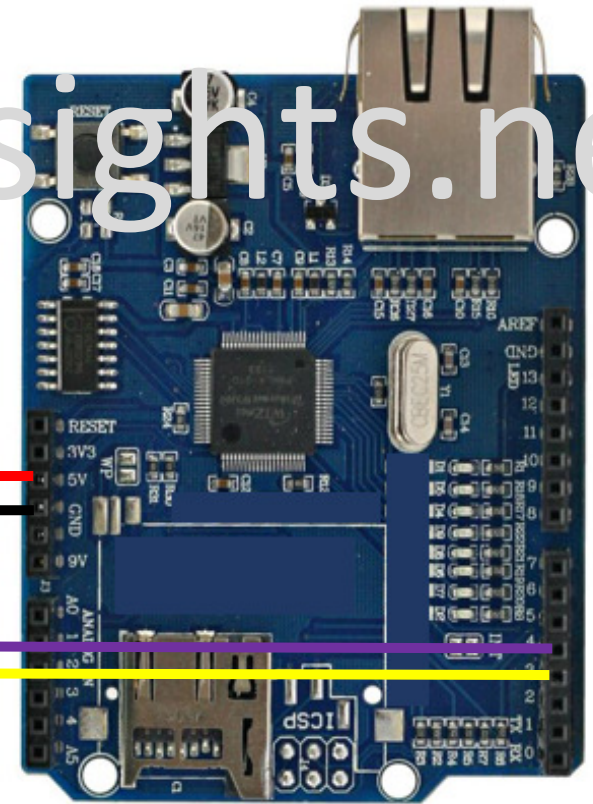


Wire Connection Guide		
Wire		Connection
	1	Arduino 5V to Relay VCC
	2	Arduino GND to Relay GND
	3	Arduino digital pin 4 to Relay IN2
	4	Arduino digital pin 3 to Relay IN1
	5	Relay K1 to Garage Opener button 1
	6	Relay K2 to Garage Opener button 2





EI-VISUAL_AID- 16215-201-11

Date	Description	By	Rev
06/01/2015	ECR-2715	SH(1)	A
06/10/2015	ECR-2720	SH(1)	B
06/15/2015	ECR-2728	JH(1)	C

Status: Released to production



www.excellentinsights.net

Bill of Material			
Item	Picture	Specification	Qty
YES		Nominal 1.03 ounces Arduino Uno R3 or equivalent with Atmega 328 microcontroller Input voltage 5 to 10 V DC. 32 K Flash and 16 Mhz clock. Board level 5V to 3.3 Volts availability.	1
YES		Nominal 0.30 ounces Ethernet Shield with W5100 ethernet chip for arduino equivalent. Capable of TCP and UDP with standard RJ45 ethernet jack.	1
YES		Nominal 2.06 ounces 2 channel 5V board. Relay high current, AC 250V 10 amp, DC 30 V 10 amp	1
YES	Internal Wires	22 AWG Male To Female	4
YES	External Wires	20/4 AWG, 0.013" Thermostat Cable Length = as required	TBD
YES	USB Cable	Cable to program Arduino go to www.arduino.cc	1
YES	Power Supply	 AC to DC >5V, >0.50mA Nominal 2.25 ounces Output DC: 5V 1A Power Adapter Input 100-240 V AC 50/60Hz. Center positive connector plug 5.2 X 2.1 mm	1