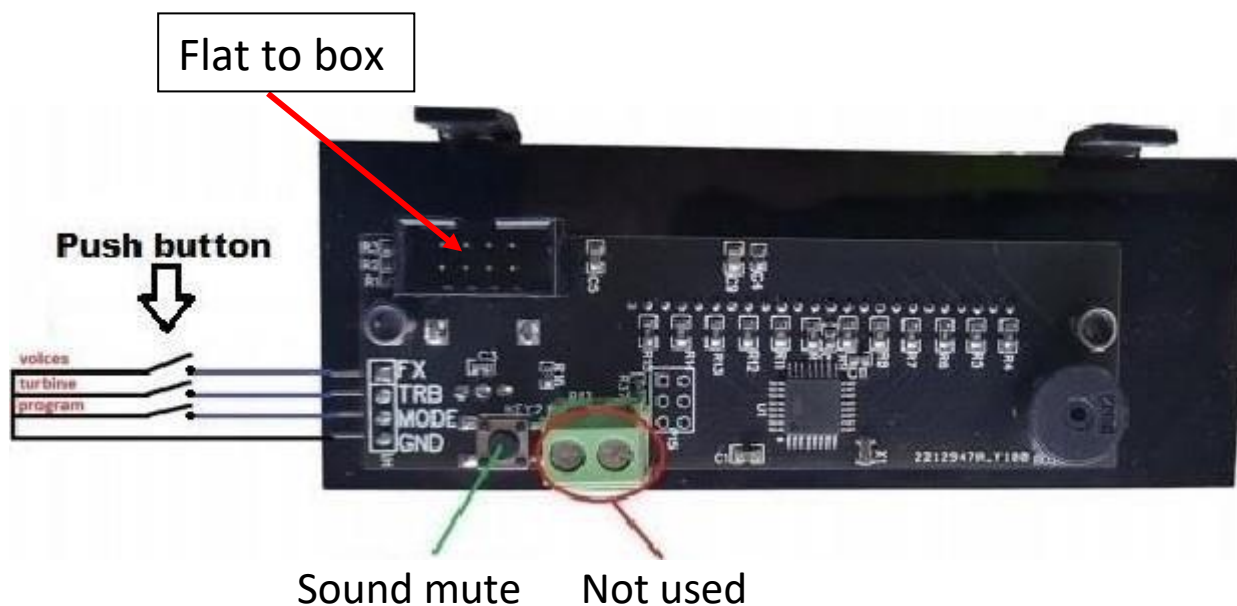
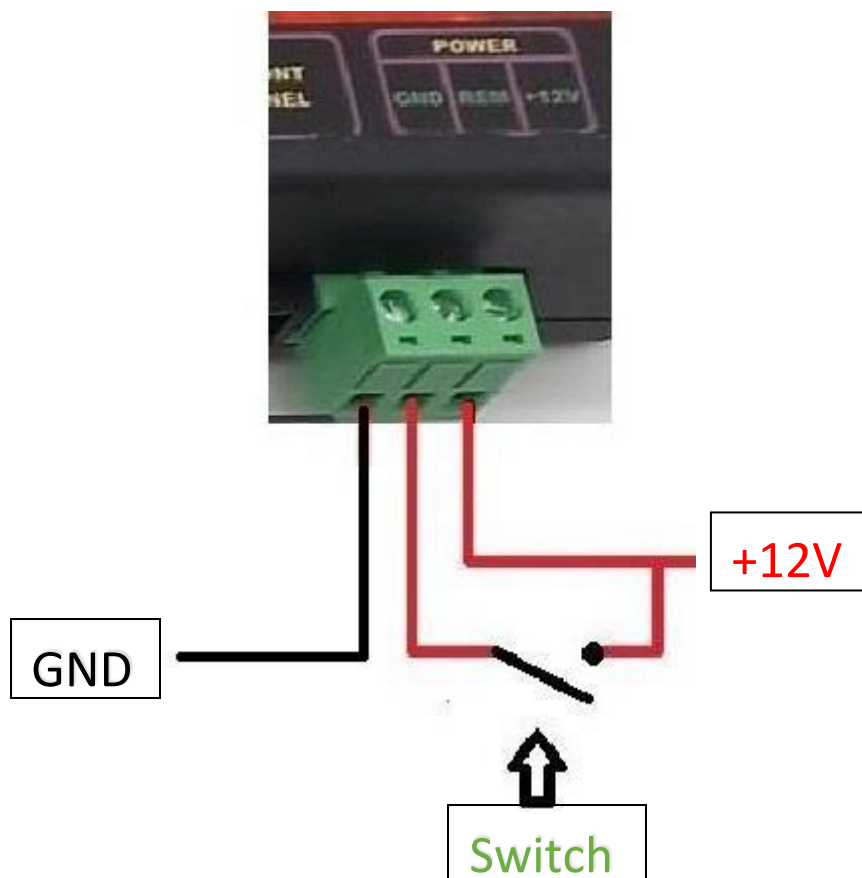


Scanner all in one user manual



Power connection



Remote control



Press "A" 1 time = on/off scanner (if REM is disconnected)
Press "B" 1 time = on/off turbine
Hold "B" 2 sec. = on/off scanner sound
Press "C" 1 to 10 times = play one of 10 voices
Hold "C" 2 sec. = on/off demo voices
Press "D" 1 time = change light program
Hold "D" 2 sec. = activate PIR
DON'T PRESS "A" and "B" together: this procedure resets your remote!

If the PIR is activated while the scanner is on, when someone is detected, plays one random sentence;
If the PIR is activated while the scanner is off, when someone is detected, plays one random sentence and the light is up until the sentence ends.

We recommend a 35W-40hm speaker

The power cable section from battery to the control box must be at least 4mm for halogen scanner and 2.5mm for LED version

Folders layout

001_turbine_start	5.579 KB	00:05:57
002_turbine_loop	5.184 KB	00:05:31
003_turbine_end	45 KB	00:00:02
004_ONdemo	2 KB	00:00:00
005_OFFdemo	3 KB	00:00:00
006_ONauto	4 KB	00:00:00
007_OFFauto	16 KB	00:00:00
100_voice (1)	120 KB	00:00:07
101_voice (2)	59 KB	00:00:03
102_voice (3)	129 KB	00:00:08
103_voice (4)	132 KB	00:00:08
104_voice (5)	102 KB	00:00:06
105_voice (6)	176 KB	00:00:11
106_voice (7)	61 KB	00:00:03
107_voice (8)	7 KB	00:00:00
108_voice (9)	113 KB	00:00:07
109_voice (10)	29 KB	00:00:01
demo		

do not delete these files

these are the files of the 10 selectable phrases, they can be freely replaced, as long as the file name starts with a numerical sequence starting from 100_ to 109_

this folder it contains the 100 phrases for the demo mode, can be replaced

001-007 system sound + turbine
100-109 voice effects
and a folder named demo with 100 tracks inside

the correct procedure is to create a folder on the pc
cut/past/copy to create the structure above
format the sd card fat32 + drag (not copy past) on the SD