



AMERICAN ELECTRIC EQUIPMENT, INC.

P.O. BOX 710 BECKLEY, WV 25801

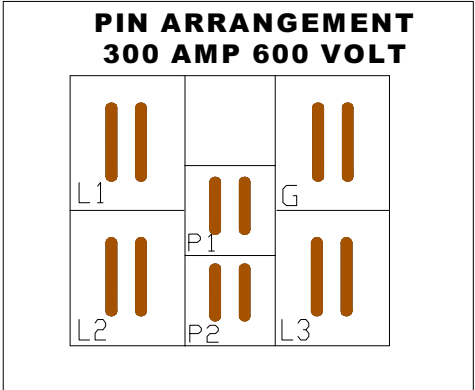
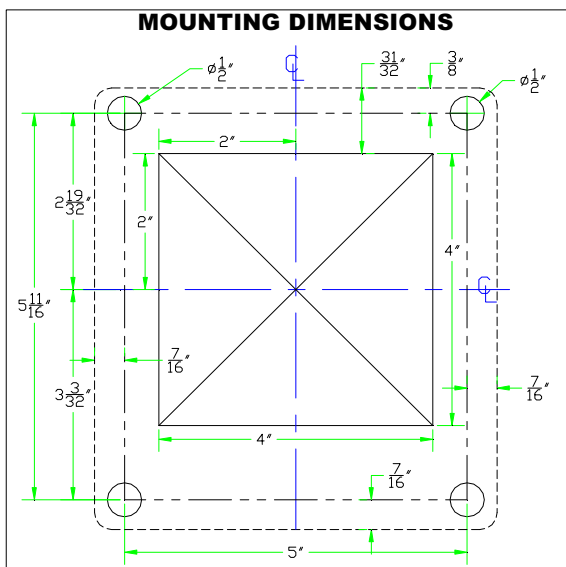
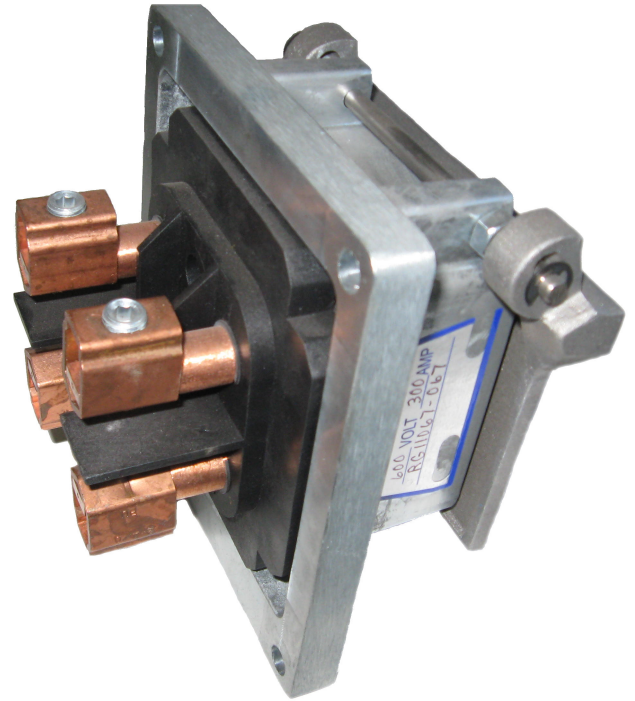
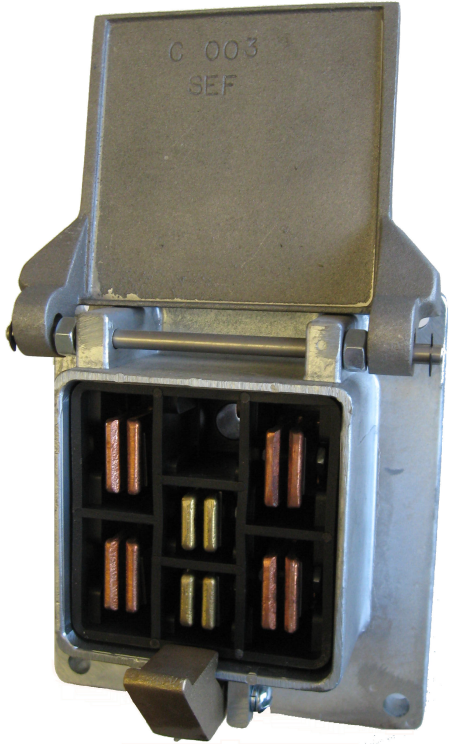
PHONE: 304-255-7438

FAX: 304-255-7448

RG11067-067

Document A-13308

November 8, 2012

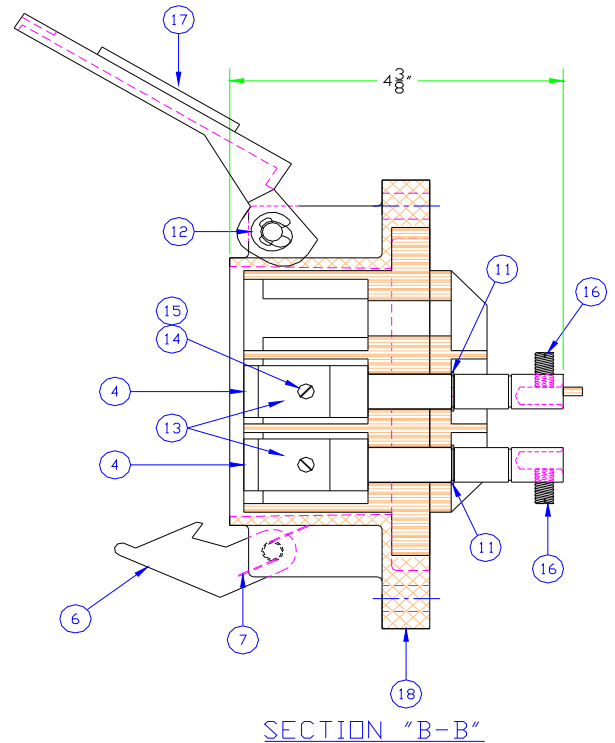
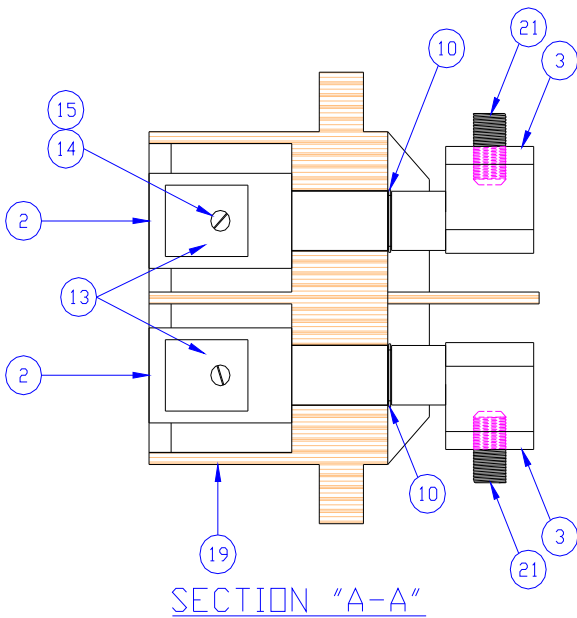
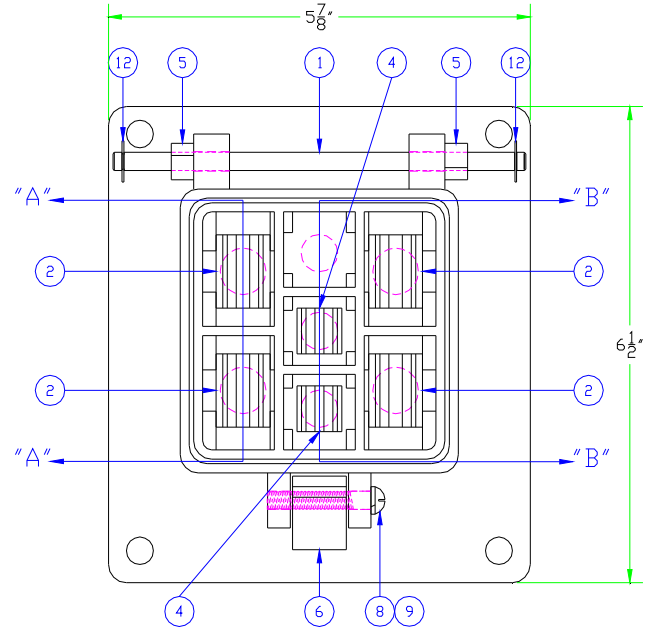


Lever Action Connectors

AEEI's low voltage figure 67 connectors are rugged, trouble free devices providing quick, confident connect/disconnect for portable mining equipment or self-propelled machinery. They are rated 300 Amperes at 600 VAC. Cable sizes range from #6 to 2/0 AWG.

Available Repair Parts List

Item	Quantity	Part Number	Description
1	1	A-10939	Roll Pin
2	4	A-10936	Power & Ground Blade
3	4	A-102	Power & Ground Blade – Stud Terminal
4	2	A-10937	Power Blade and Stud
5	2	A-11470	Spacers 5/16 NC Nut
6	1	A-069	Bottom Latch
7	1	A-066	Spring
8	1	A-11471	Round Head Machine Screw 1/4"-20 X 1 1/2" Plated
9	1	A-11472	1/4" Lock Washer
10	4	A-2064-1	5/8" Rotor Clip
11	2	A-2064-2	1/2" Rotor Clip
12	2	A-10938	Retaining Ring E-25
13	12	A-2076-1	Phase and Pilot Blade Clips
14	6	A-2069-1	Slotted Hex Head Machine Screw 10/32" X 3/4" Plated
15	6	A-10940	10/32" Lock Nuts
16	2	A-11473	Slotted Hex Head Set Screw 1/4"-20 X 1/2" Plated
17	1	A-11375	Alternate Dust Cover
17	1	C-003	Dust Cover
18	1	D-002-1	Base
19	1	D-001-1	Insulator
20	1	A-714	Identification Sticker
21	4	A-2694	7/16"-20 X 3/4" Allen Head Set Screw



Available Repair Kits

Part Number	Qty.	Description	Drawing Number
003-1-KIT		Complete Kit For 67 Receptacle	
		Parts Included In Kit	
	1	Dust Cover	A-11375 or C-003
	1	Roll Pin	A-10939
	2	Rotor Clip E-25	A-10938
	2	5/16" NC Nuts	A-11470
	1	Bottom Latch	A-069
	1	RD. HD. Machine Screw 1/4-20 X 1 1/2" PL.	A-11471
	1	1/4" Lock Washer	A-11472
	1	Spring	A-066
003-KIT		Dust Cover Kit For 67 Receptacle	
		Parts Included In Kit	
	1	Dust Cover	A-11375 or C-003
	1	Roll Pin	A-10939
	2	5/16" NC Nuts	A-11470
069-KIT		Bottom Latch Kit For 67 Receptacle	
		Parts Included In Kit	
	1	Bottom Latch	A-069
	1	RD. HD. Machine Screw 1/4-20 X 1-1/2 PL.	A-11471
	1	1/4" Lock Washer	A-11472
1	Spring	A-066	

Features

- ✓ Single-piece, high grade insulator
- ✓ Aluminum housing
- ✓ All live exposed parts are completely enclosed by the metal housing
- ✓ Captive dust covers standard on gear mounted receptacle
- ✓ Minimum effort required to connect or disconnect electrical connections.
- ✓ The ground blade is always the last to break, first to make
- ✓ Ground check circuits make last, break first to insure phase connections are de-energized when connector opens
- ✓ Self-wiping contacts insure good electrical connections after each operation
- ✓ Interchangeable with other industry standard figure 67 receptacles