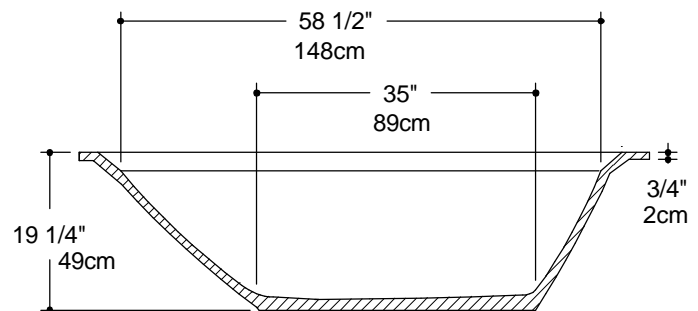
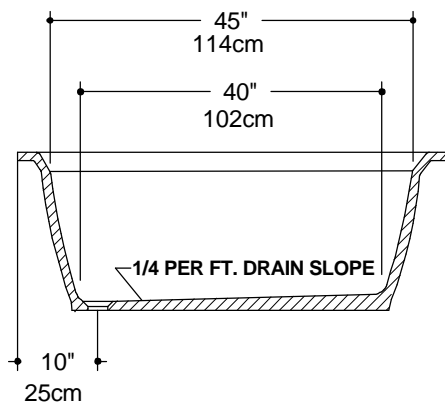
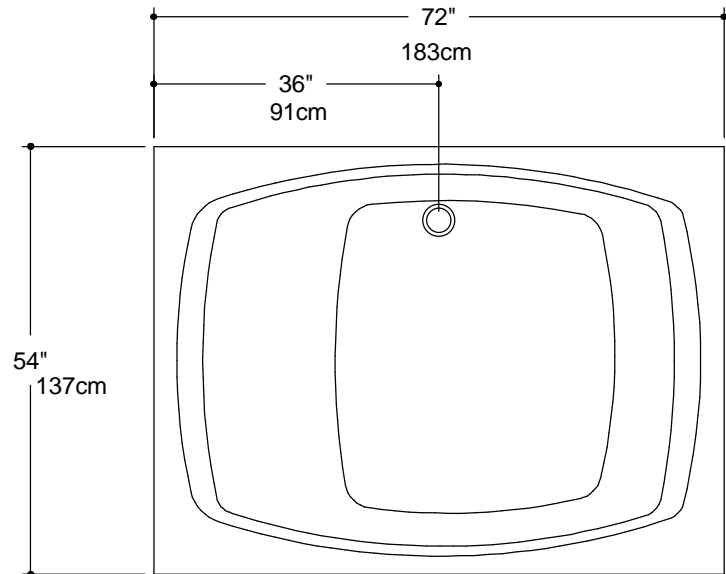


MK13



GRUBER SYSTEMS RESERVES THE RIGHT TO CHANGE THIS INFORMATION AT ANY TIME WITHOUT PRIOR NOTICE. ISSUED BY GRUBER SYSTEMS INC., 25636 AVENUE STANFORD, VALENCIA, CA 91355, USA. COPYRIGHT 2002

MOLD PART	CATALOG No.	DESCRIPTION
MALE	29013	MK 13 MALE
FEMALE	490138	F- MK 13 ONE PIECE
2PC FEM DECK	490131	F- MK 13 DECK
2PC FEM BOT	490132	F- MK 13 BOTTOM
TURTLE		
ULFF	490139	ULFF MARK 13 1/2"
ULFF INSERT	4901391	ULFF MARK 13 INSERT
SPEEDY PLUG	29113	MARK 13 SPEEDY PLUG
NAME	MK 13 BATHTUB 72" X 54" X 19 1/4" (182cm X 137cm X 49cm)	
CAST WEIGHT	SCALE 1/2" = 1' 0"	DATE 8-30-02 PAGE No. T-3