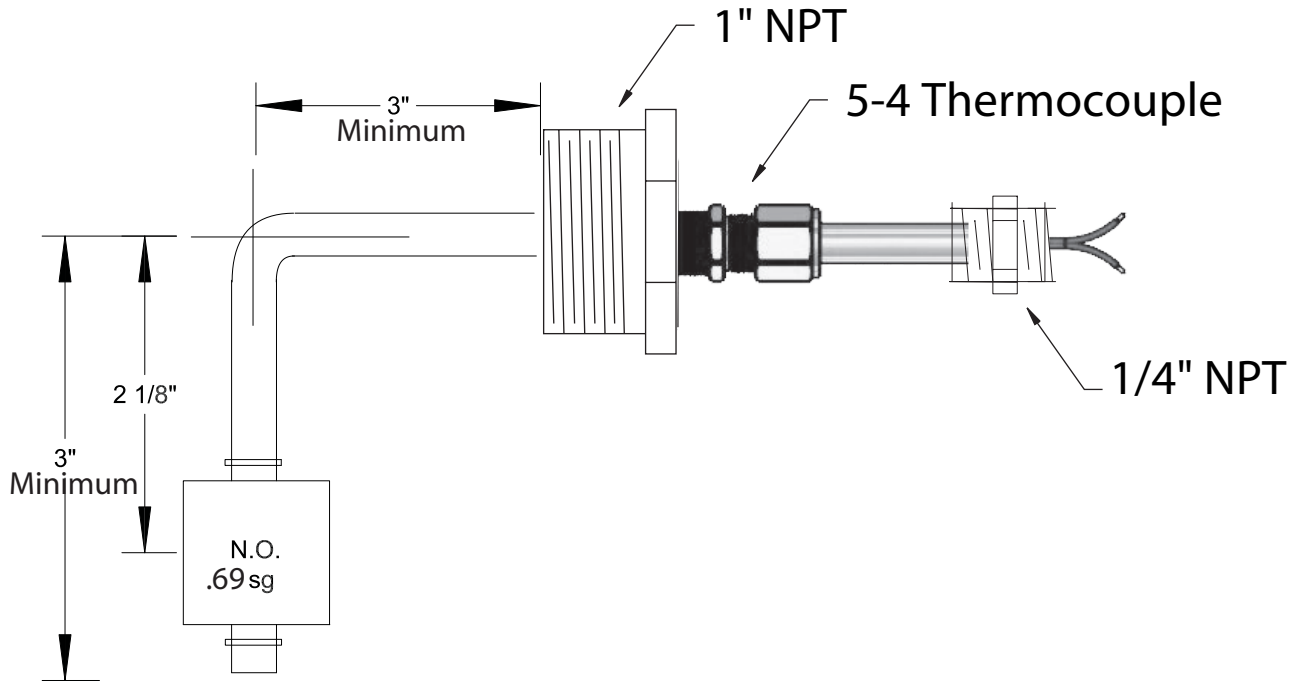
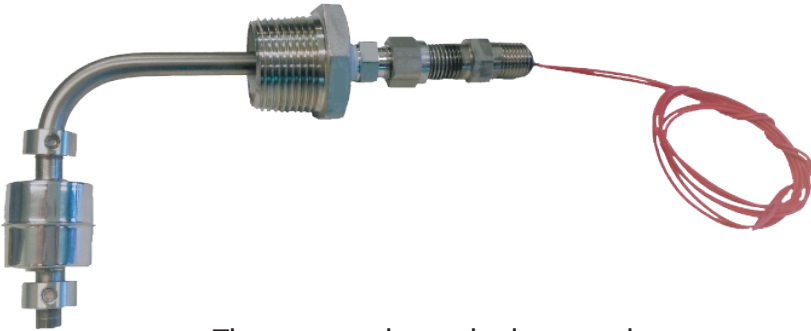
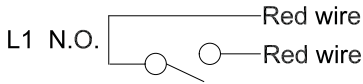


# LC400-SM90



## WIRING DIAGRAM

Normal is when float is away from fitting



Thermocouple can be loosened to allow the NPT to be removed from tank without disconnecting wires to preform testing and cleaning

## SPECIFICATIONS

**FITTING:** 316 Stainless Steel, 1" NPT

**STEM:** 316 Stainless Steel, 5/16" diameter

**FLOAT:** 316 Stainless Steel, 1" x 1"

**FLOAT STOP:** Stainless Steel Stop Collar

**SWITCH:** SPST, 50 watt maximum  
240 volts and 1 amp maximum values

**SWITCH OPERATION:** N.O. reversible to N.C.

**WIRING:** Red, 22 ga. Type E, 24" length

**MAXIMUM PRESSURE:** 200 PSI

**OPERATING TEMPERATURE:** -40 °F to +257 °F



**Class I Division 1 and 2, Groups A,B,C,D,T5**