



CAUTION: CAREFULLY READ INSTRUCTIONS BEFORE PROCEEDING. NOT LEGAL FOR SALE OR USE IN CALIFORNIA OR ON ANY POLLUTION CONTROLLED VEHICLES.

OVERVIEW

The SmartSpark LS is a versatile ignition module for GM LS1/LS6 and LS2/LS7 race engines. It is an upgrade for the MSD® P/N 6010 and 6012 ignitions.

- Ignition module for carbureted GM LS series V8 engines with 24 or 58 tooth crank trigger.
- Selection for GM LS1 or higher energy LS2 style coils.
- Preprogrammed with advance tables suitable for a wide range of normally aspirated high performance engines.
- Digitally set launch, burnout, and maximum RPM limits with 100 RPM steps from 3,000 to 9,900 RPM. Access to launch and burnout RPM limits requires optional USB interface and PC Link software.
- USB interface and PC Link software allows programming a custom 3D advance table based on RPM and manifold pressure
- Individual cylinder timing (ICT) capability with RPM based offset up to $\pm 5^\circ$ with 0.1° steps.
- Three general purpose input terminals. Inputs can be used for RPM limits and multiple retard functions including driver adjustable retard (requires optional RTD-1). Advanced features require optional USB interface and PC Link software.
- Status LEDs show trigger inputs.
- Fully encapsulated construction without any internal voids.
- Heavy duty 12 pin Deutsch connectors used for signal connections.
- Same mounting pattern as MSD® P/N 6010 and 6012. Compact size: 6.0"L x 3.5"W x 0.63"H.

ADDITIONAL REQUIRED PARTS

New LS1/LS6 installations require wire harness P/N 119002 or 119003 depending on mounting location. New LS2/LS7 installations require wire harness P/N 119005 or 119006 depending on mounting location. For upgrading existing MSD® P/N 6010 or 6012 installations, use adapter harness P/N 119004.

Use of the SmartSpark software is not required for basic operation of the module. The SmartSpark connects to your PC by means of an optional USB interface, P/N 102004. If you have an older PC without USB capability, you cannot use the software.

For a driver adjustable timing retard, you will require the optional RTD-1 retard control P/N 102005.

Figure 1 – SmartSpark LS Module



Figure 2 – RTD-1 Retard Control



WIRING OVERVIEW

Black 12 Pin Deutsch Connector Signals		
Pin Number	Signal	Description
1	Coil Drive 1	Coil 1 drive signal
2	Coil Drive 2	Coil 2 drive signal
3	Coil Drive 3	Coil 3 drive signal
4	Coil Drive 4	Coil 4 drive signal
5	Coil Drive 5	Coil 5 drive signal
6	+12V Power	Switched +12V power
7	Ground	Connects to engine or chassis ground
8	Coil Drive 6	Coil 6 drive signal
9	Coil Drive 7	Coil 7 drive signal
10	Coil Drive 8	Coil 8 drive signal
11	Tach	Connects to tachometer (standard 12V square wave signal)
12	Not Used	

Gray 12 Pin Deutsch Connector Signals		
Pin Number	Signal	Description
1	CKP	Crankshaft position sensor signal input
2	CMP	Camshaft position sensor signal input
3	Not Used	
4	MAP	MAP sensor signal input
5	Sensor Power	+5V power for sensors
6	MAP Ground	MAP sensor ground
7	Signal Ground	Ground
8	RS-232 TXD	RS-232 transmit data (connects to USB interface)
9	RS-232 RXD	RS-232 receive data (connects to USB interface)
10	GPI1	General purpose input 1
11	GPI2	General purpose input 2
12	GPI3	General purpose input 3

INSTALLATION

1. Turn off the ignition switch and disconnect the battery ground cable before proceeding.
2. If you are not upgrading an existing MSD[®] P/N 6010 or 6012 ignition module, skip ahead to step 3. Remove the MSD[®] module. The SmartSpark has the same mounting pattern as the MSD[®] unit and mounts in the same location using the same hardware. For hookup, refer to the P/N 119004 adapter harness diagram at the end of the instructions. Tape up any unused connections. Skip to step 4.
3. Mount the SmartSpark module in a convenient location. For basic hookup, refer to Figure 3 and the appropriate wire harness diagram at the end of the instructions. Connect the ground terminal (black and black/white wires) to a suitable engine or chassis ground. Connect +12V power (pink wire) to the ignition switch. This circuit should be protected with a 20 amp ATC fuse. Connect the tach signal (white wire) as shown. Tape up any unused connections.
4. **Application specific signal connections.** Refer to the following sections.
5. **MAP sensor.** Do not operate the SmartSpark without a MAP sensor unless you have programmed an appropriate custom advance table and selected the MAP sensor disable option using the PC Link SmartSpark software.
6. **Initial switch settings:**
 - **Mode:**
 - 0 for 24 tooth crank trigger and LS1 coils
 - 1 for 24 tooth crank trigger and LS2 coils
 - 2 for 58 tooth crank trigger and LS2 coils
 - **Advance:** 5 (conservative starting point for tuning most engines with 20° advance at 3,000 RPM). Higher values result in more advance.
 - **RPM Limit:** set a safe RPM limit for your engine. The RPM limit is X100 switch setting (i.e. 67 = 6,700 RPM)

Module switch settings are only read on initial power up. If you change switch settings, you must cycle power off/on for the new settings to take effect.

7. Completing the installation. Reconnect the battery. Start engine and check timing.

GPI1-3 Options

General purpose input (GPI) modes can be programmed by means of the PC Link SmartSpark software and are described in the software section starting on page 11. With the exception of the analog retard option using the RTD-1, GPI1-3 inputs are active when +12V is applied.

For MSD[®] upgrades using the MSD[®] retard and two step connections, program GPI1 as digital retard and GPI2 as launch RPM limit. Refer to page 15 for details.

Automatic Transmission RPM Limit Switch Hookup

Figure 4 shows typical hookup of the line lock and trans brake solenoid valves for automatic transmission vehicles.

1. **Line lock and burnout RPM limit.** Skip ahead if this feature is not used. The line lock is active during burnout and used to select the burnout RPM limit. GPI1 must be programmed for burnout RPM limit mode (refer to page 15 for details). Burnout RPM limit is selected when GPI1 is at +12V.
2. **Trans brake and launch RPM limit.** The trans brake is active before launching and used to select the launch RPM limit. GPI2 must be programmed for launch RPM limit mode (refer to page 15 for details). Launch RPM limit is selected when GPI2 is at +12V.

WARNING: Failure to install the diodes shown in Figure 4 will damage the SmartSpark and void the warranty.

Manual Transmission RPM Limit Switch Hookup

Figure 5 shows typical hookup of the line lock and burnout RPM limit switch for manual transmission vehicles.

1. **Burnout RPM limit.** Skip ahead if this feature is not used. A switch is used to select the burnout RPM limit. GPI1 must be programmed for burnout RPM limit mode (refer to page 15 for details) for details). Burnout RPM limit is selected when GPI1 is at +12V

-
2. **Line lock and launch RPM limit.** The line lock is active before launching and used to select the launch RPM limit. The hookup shown in Figure 5 uses a relay to hold the line lock on until the clutch is released. A normally open momentary pushbutton switch is used to initially set the line lock. The clutch switch is normally open and closes when the clutch pedal is down. GPI2 must be programmed for launch RPM limit mode (refer to page 15 for details). The launch RPM limit is selected when GPI2 is at +12V.

WARNING: Failure to install the diode shown in Figure 5 will damage the SmartSpark and void the warranty.

RTD-1 Retard Control Hookup

The RTD-1 retard control is required for 0-10° driver adjustable retard (GPI3 analog retard mode - refer to page 15 for details).

The RTD-1 unit is not waterproof and is intended for under dash mounting only. Refer to Figure 6. Connections are made to the gray 12 terminal Deutsch connector (PL2) on the SmartSpark. Power and ground connections are spliced into the existing MAP sensor wires. Connect the RTD-1 black ground wire to terminal 6 and red +5V power wire to terminal 5. Connect the white retard command wire to GPI3 on terminal 12.

Figure 3 – Basic Hookup

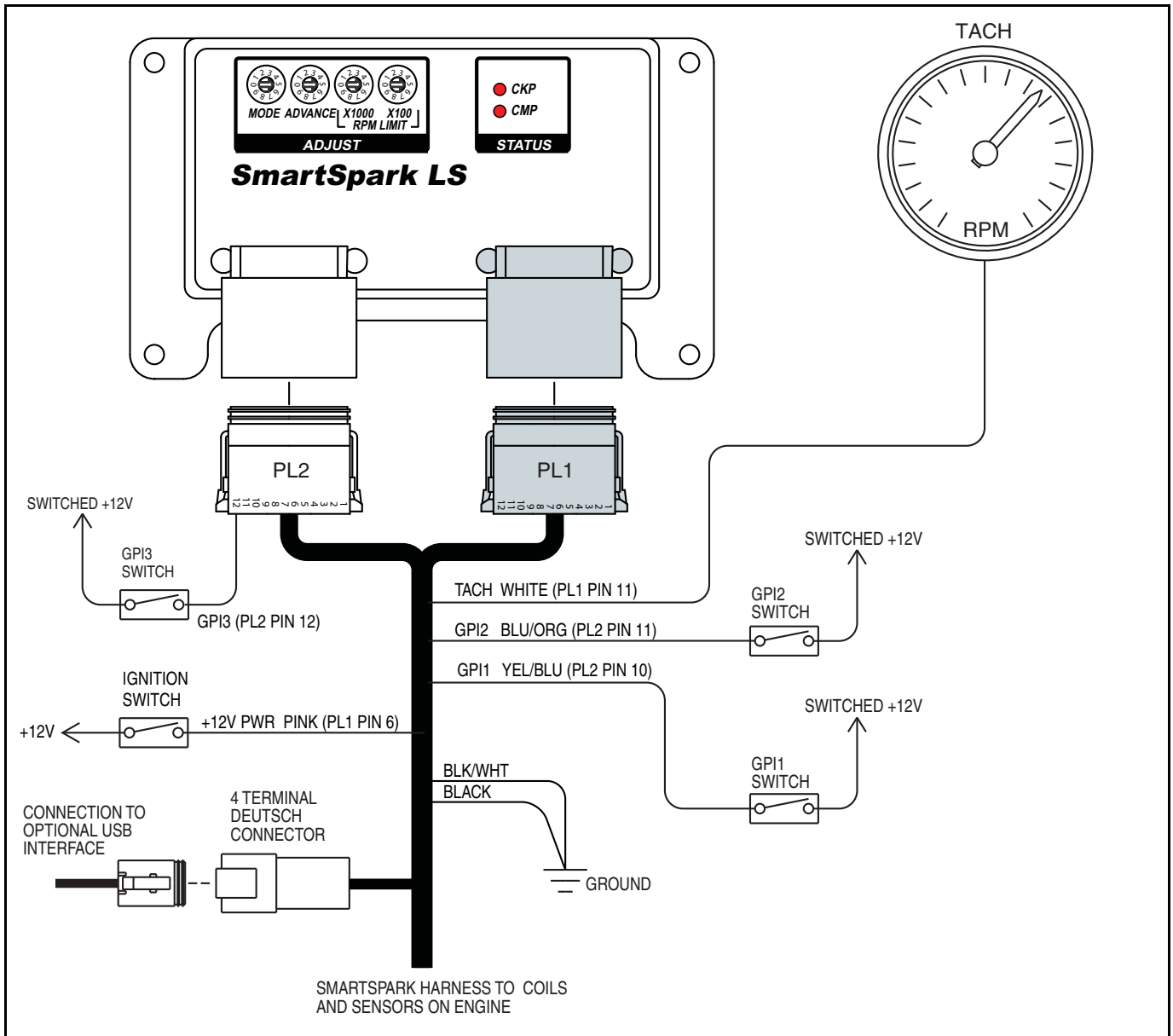


Figure 4 – Automatic Transmission RPM Limit Switch Hookup

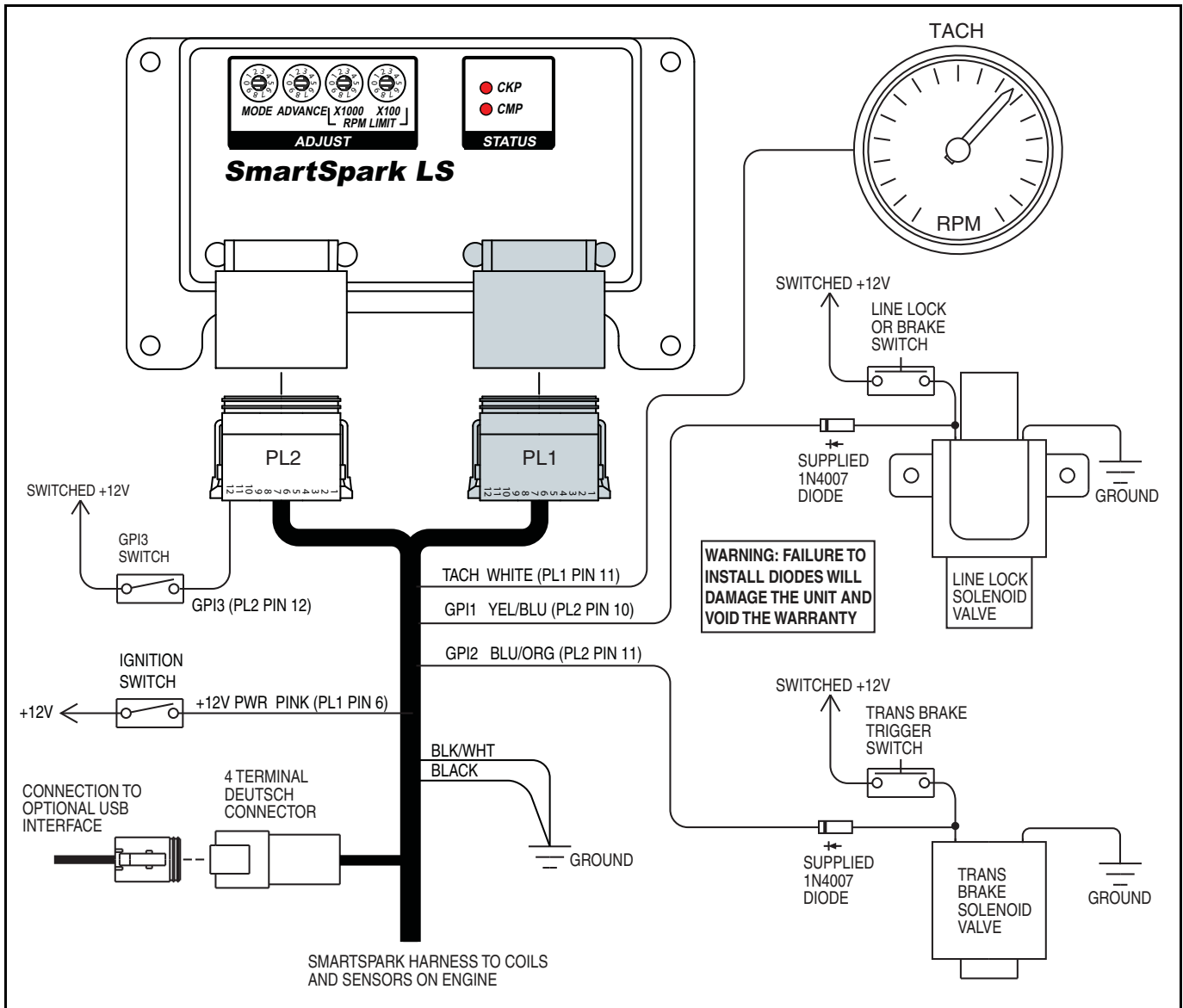


Figure 5 – Manual Transmission RPM Limit Switch Hookup

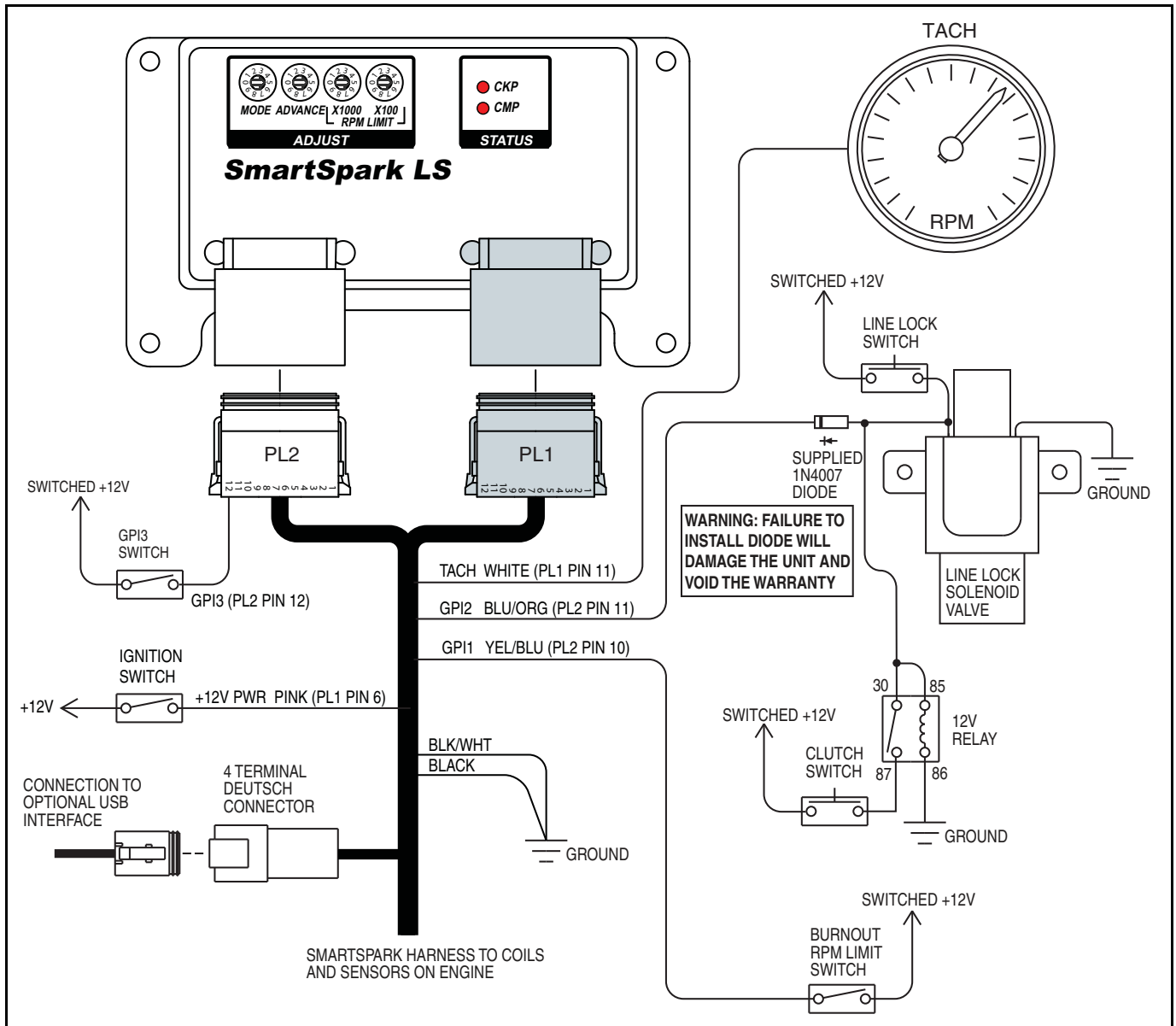
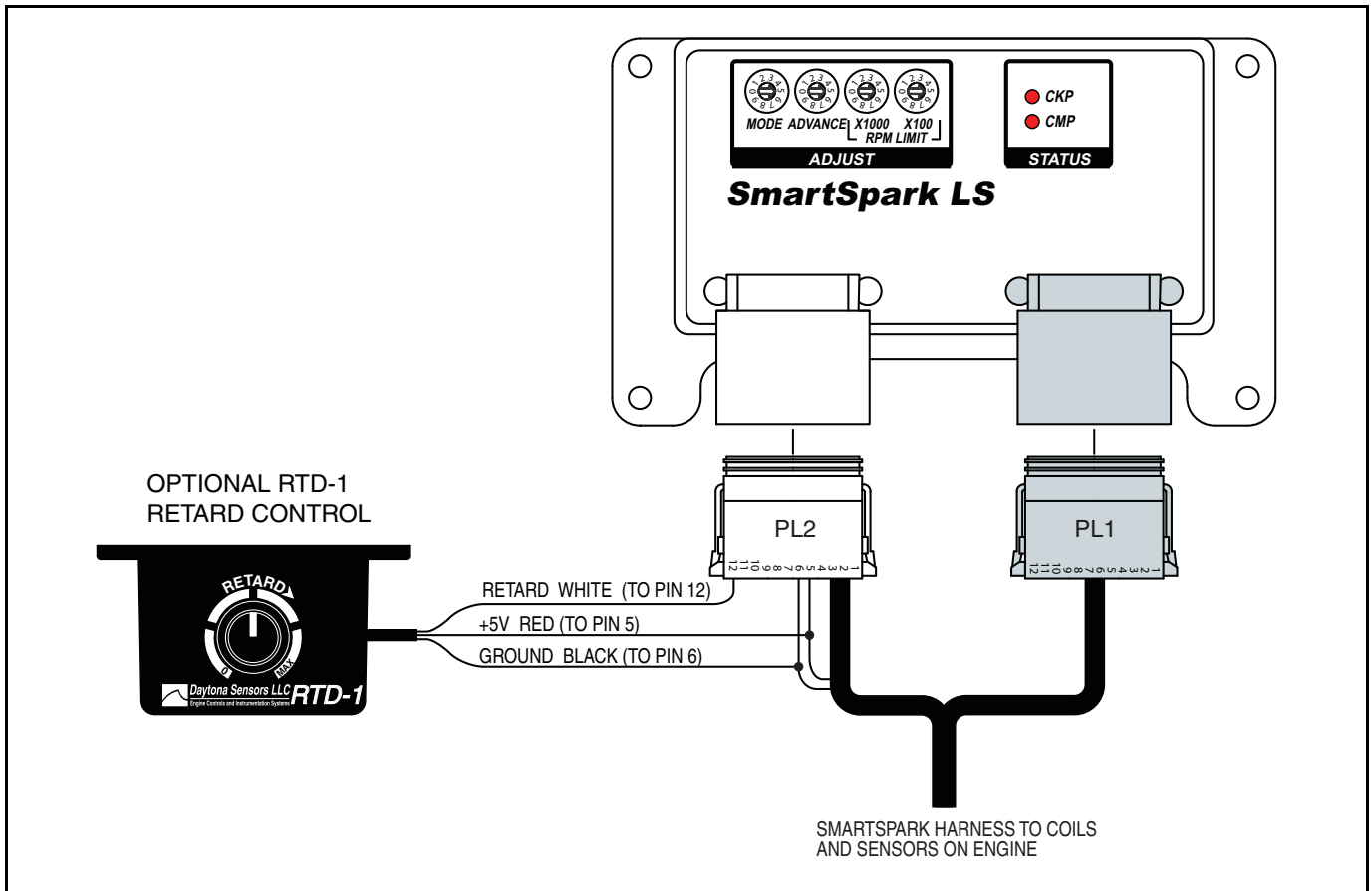


Figure 6 – RTD-1 Hookup



ADVANCE SETTINGS

The SmartSpark module accommodates a wide range of engine applications. The advance switch allows you to control the aggressiveness of the ignition advance. Figures 7-8 show the effect of advance switch settings. Each figure shows advance curves for various manifold pressure values. Higher switch settings result in more aggressive advance. The effect is more pronounced at high manifold pressures. Note that 30 In-Hg manifold pressure represents wide open

throttle (WOT) and 16 In-Hg represents deceleration conditions.

You can use the New Timing Table command in the PC Link SmartSpark software to visualize the effect of advance switch settings. Refer to the Creating A New Timing Table section starting on page 16 for details.

Figure 7 – Chart Representing Advance Setting 0 (Least Aggressive)

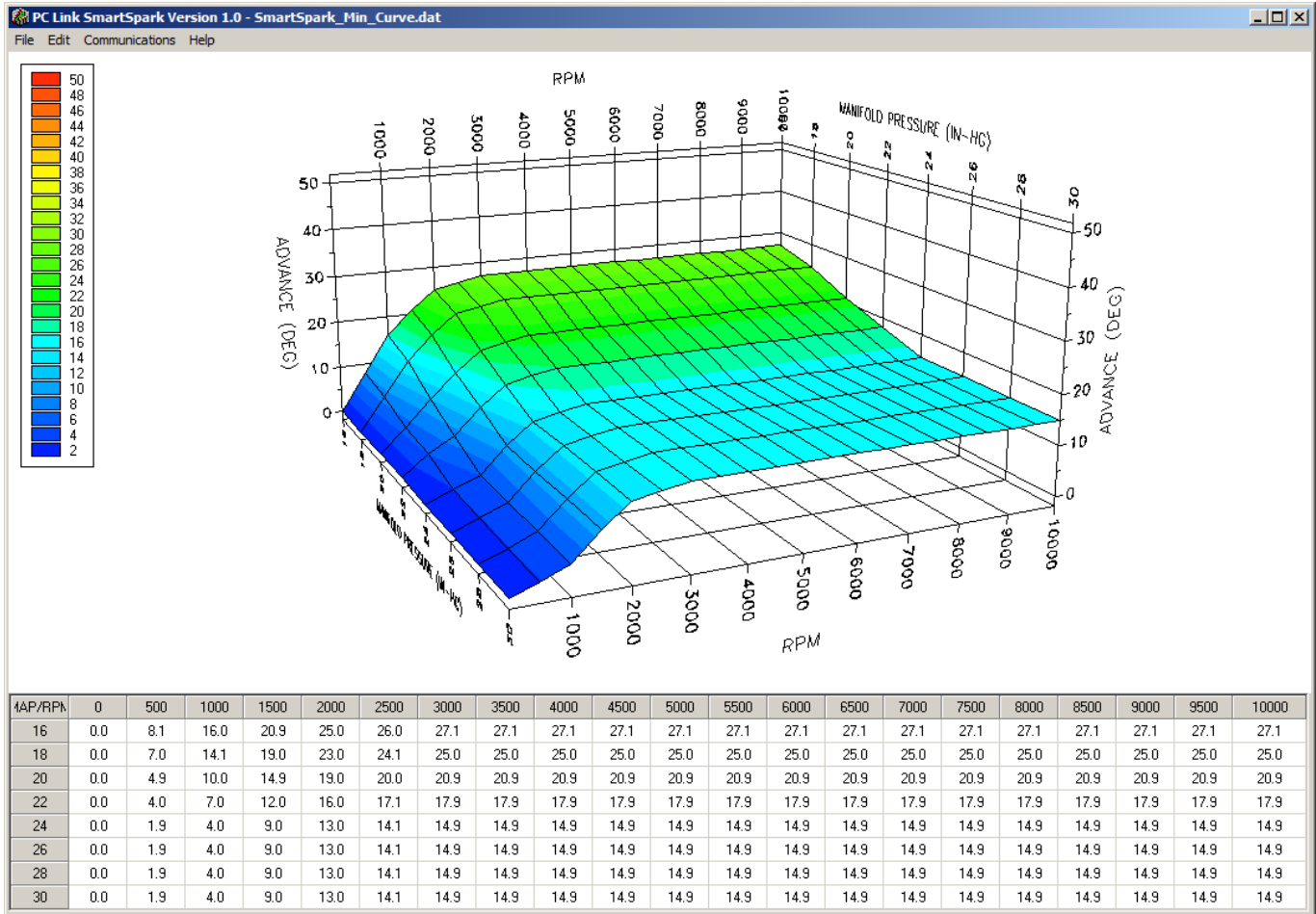
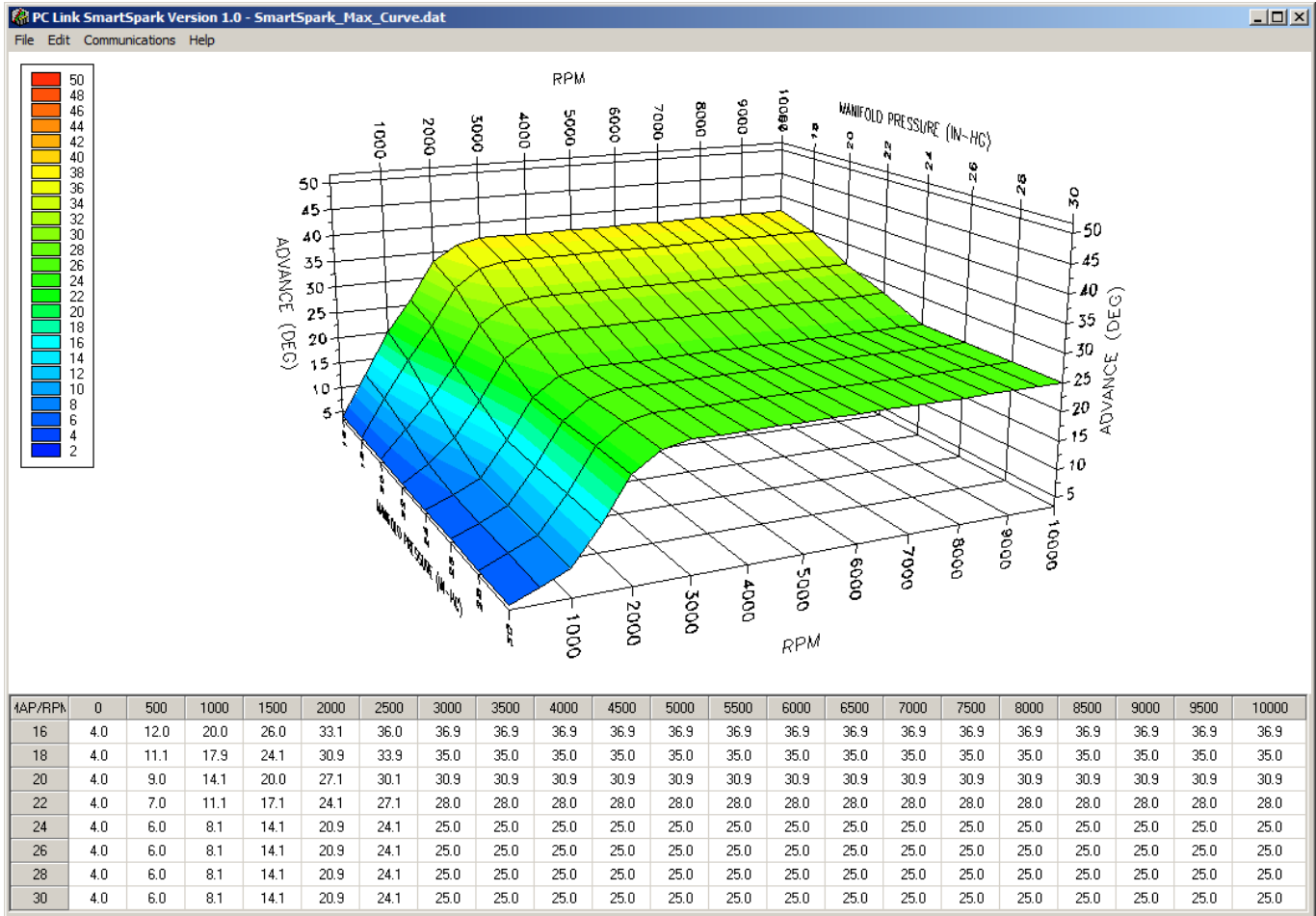


Figure 8 – Chart Representing Advance Setting 9 (Most Aggressive)



SOFTWARE OVERVIEW

Use of the software is optional and not required for basic operation of the SmartSpark module. If you are not planning on using the software, you can skip the rest of the material in this instruction manual.

SmartSpark software runs under Microsoft Windows XP/Vista/7/8. PC Link SmartSpark software allows the user to program SmartSpark units with custom timing advance and individual cylinder timing (ICT) offset tables and to configure the function of the general purpose input (GPI) terminals and other engine parameters. SmartSpark Log software allows the user to view real time engine data during initial setup and dyno tuning.

PC REQUIREMENTS

The SmartSpark connects to your PC by means of a USB interface. The PC must have a free USB port. If you have an older PC without USB capability, you cannot use the software.

We recommend a laptop PC with Pentium processor and super VGA display (SVGA with 1024 x 768 pixel resolution) running Windows XP/Vista/7/8. Data chart display is graphics intensive and a high speed Pentium processor is recommended. Processors slower than 300 MHz will exhibit sluggish program loading and response. The PC must have a CDROM drive for program loading.

PC Link SmartSpark software includes print commands to print parameters and timing tables. The program has been tested with Hewlett-Packard laser and inkjet printers and Epson inkjet printers. We recommend using a color inkjet printer.

USB INSTALLATION

If you have already installed the USB interface driver for the SmartSpark, you can skip this step.

The USB interface for the SmartSpark is based on the FTDI FT232R chip and drivers that allow the unit to emulate a standard Windows RS-232 COM port. Updated Windows drivers, installation instructions and troubleshooting tips are available on the FTDI website at www.ftdichip.com. Additional information and troubleshooting tips can be found on the PC Link Tech FAQ on our website.

A new USB driver that simplifies the installation process is available. This installs as an executable file, similar to other Windows programs. The Windows Found New Hardware Wizard will then detect the USB device when it is first connected and automatically

install the correct driver without the user having to browse out to the CDROM.

Before proceeding with installation, shutdown any other applications that may be running. For Windows Vista, you must disable the User Account Control (UAC) during installation. If you are not familiar with the UAC, please refer to the Vista UAC Tech Note on our website's PC Link Tech FAQ for details.

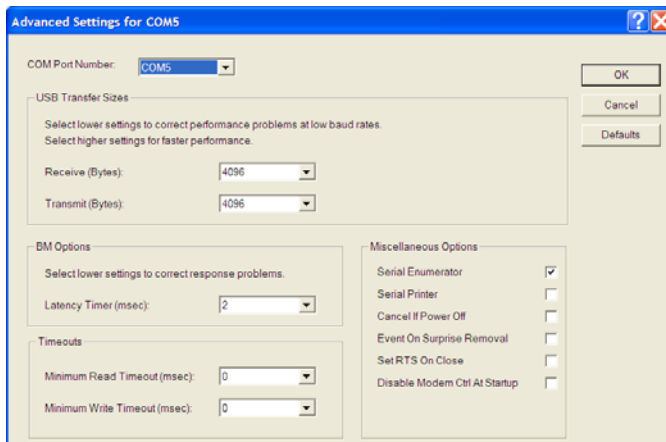
1. Make sure the USB interface is not connected to your PC.
2. Insert the CDROM. When the autorun menu appears, click on Software. Scroll down and click on the USB Driver link. When the File Download dialog box appears, click on "Run this program from its current location." Ignore any security warnings and click on Yes to continue.
3. After installation of the driver is complete, connect the USB interface to the PC with the supplied USB cable. The Windows Found New Hardware Wizard will appear and complete installation of the USB driver.

COM Port Configuration

After completing the installation steps outlined above, you must configure the new COM port using Device Manager.

1. **Windows XP:** click Start, Settings, Control Panel, System, Hardware, and then Device Manager. **Windows Vista:** click Start, Control Panel, System and Maintenance, and then Device Manager. **Windows 7:** Click Start, Control Panel, System and Security, and then Device Manager. For more information, visit www.pcsupport.about.com.
2. Scroll down to Ports (COM and LPT). The new USB interface will appear as USB Serial Port. Click on this new port. Click on the Port Settings tab.
3. Click on Advanced. In most cases the wizard will have installed your new USB interface as COM5. Note the COM port number assigned for your system. For optimum performance, you should also change the BM Options Latency Timer to 2 msec as shown in Figure 9.
4. Once you have configured a COM port number for your new unit, make sure that you use this same COM port selection in the software by using the Port Setup command from the Communications menu.

Figure 9 – COM Port Configuration



SOFTWARE INSTALLATION

The software is supplied on CDROM media or in the form of a compressed file downloaded from our website. The installation process uses InstallShield. This industry standard installer is based the new Microsoft Windows Installer service that greatly reduces potential problems such as version conflicts and allows for application self-repair.

There are two programs to install: PC Link SmartSpark and SmartSpark Log. Start by installing PC Link SmartSpark. If you are downloading software from the web, only download and install one program at a time. Before proceeding with installation, shutdown any other applications that may be running. For Windows Vista, you must disable the User Account Control (UAC) during installation. If you are not familiar with the UAC, please refer to the Vista UAC Tech Note on our website's Tech FAQ for details.

Use the Windows Explorer or the Run command from the Windows Start Menu to launch setup.exe in the PC_Link_SmartSpark folder on the CDROM or the setup.exe file downloaded from our website. InstallShield will install the software in an appropriate folder under Program Files.

Repeat the installation process for SmartSpark Log. Use the Windows Explorer or the Run command from the Windows Start Menu to launch setup.exe in the SmartSpark_Log folder on the CDROM or the setup.exe file downloaded from our website. InstallShield will install the software in an appropriate folder under Program Files.

Once InstallShield has completed the installation, PC Link SmartSpark and SmartSpark Log will appear on the Windows Start Menu. You can then

launch them just as you would any other Windows program.

PC Link SmartSpark software requires the Monospace 821 BT fixed pitch printer font in order to properly align columns when printing. The Monospace 821 BT font is included in the distribution media and automatically copied to your Windows Fonts folder during installation. A backup copy is also placed in the program folder. If you accidentally delete this font, use the Install New Font command from the Fonts folder File menu. The filename associated with Monospace 821 BT is monos.ttf.

PC LINK SMARTSPARK SOFTWARE

PC Link SmartSpark software allows the user to program SmartSpark units with custom timing advance and individual cylinder timing (ICT) offset tables and to configure the function of the general purpose input (GPI) terminals and other engine parameters. The SmartSpark connects to your PC by means of a USB interface. A USB cable is supplied with the unit. The PC must have a free USB port. If you have an older PC without USB capability, you cannot use the unit.

When launched for the first time, the program uses COM1 as the default port. In most cases, you will have configured the unit's USB interface to use a different COM port, such as COM5. Use the Port Setup command on the Communications menu to select the correct COM port. The program will remember the new port setup.

PC communications is possible when power is turned on and the engine has not yet been started. Note that no damage or data corruption occurs if the engine is inadvertently started while the USB interface is connected.

After PC Link SmartSpark is launched, the main screen appears blank. You have two options for obtaining setup data for editing. You can open a previously saved or sample setup file by using the Open File command on the File menu. You can also download data from an attached SmartSpark unit by using the Download From EEPROM command on the Communications menu.

Note that setup files use a .dat extension. You should create a separate folder to store these files.

Once you have opened a setup file or downloaded data, you can use the Edit Timing Table and Edit ICT Offset (individual cylinder timing) commands from the Edit menu. You can edit the timing table data by clicking on and dragging individual points

on the chart display or you can directly edit numeric data on the spreadsheet grid.

Once the appropriate parameters and timing table data have been entered, you can print the data using the Print Module Parameters and Print Timing Table commands on the Print Menu. You can save the edited setup file by using the Save File command on the File menu.

You can upload the setup data to an attached SmartSpark unit by using the Upload to EEPROM command on the Communications menu.

A setup file (SmartSpark_Sample.dat) is included in the program folder.

DOWNLOADING DATA FROM EEPROM

Connect the USB interface to the four terminal Deutsch connector on the wire harness (refer to Figure 3). **Set the switch on the USB interface to the "B" position.** Turn on power to the SmartSpark. Do not start the engine.

When launched for the first time, the program uses COM1 as the default port. In most cases, you will have configured the USB interface to use a different COM port, such as COM5. Use the Port Setup command on the Communications menu to select the

correct COM port. The program will remember the new port setup.

Download data by using the Download From EEPROM command on the Communications menu.

If the download process is successful, the module parameters are displayed. You can then edit setup data as explained in subsequent sections.

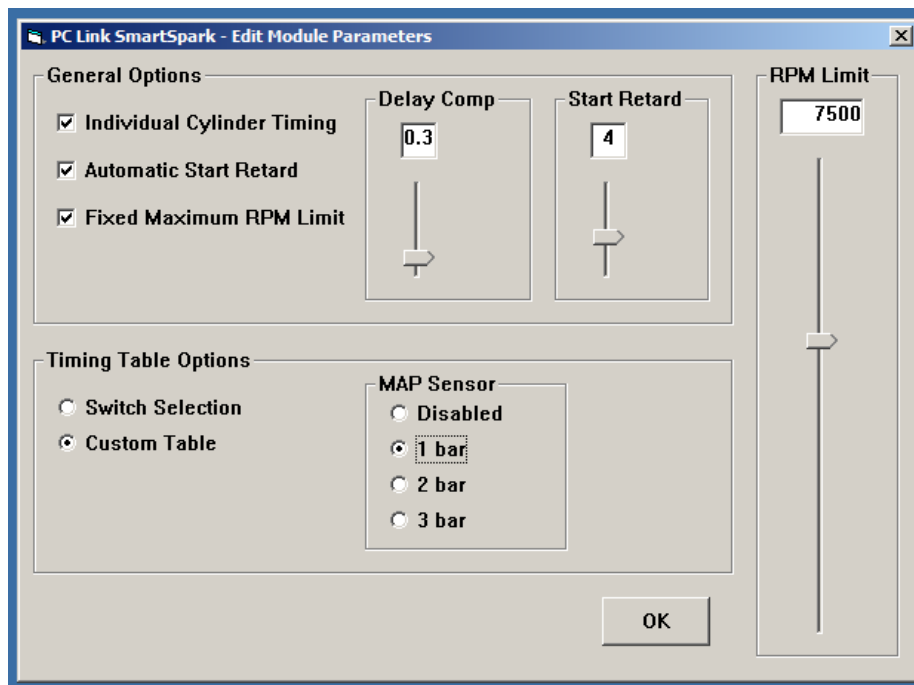
SmartSpark units are shipped from the factory with default parameters and timing tables loaded into EEPROM memory. If you have never uploaded any custom setup file to EEPROM memory, these defaults are what you will see. Defaults include switch selection of timing tables and all general options and general purpose inputs off or disabled.

MODULE PARAMETERS

Module parameters are displayed in a dialog box by using the Edit Module Parameters command on the Edit menu. Module parameters control the overall operation of the SmartSpark unit.

Once you have opened a setup file or downloaded data, module parameters are displayed. Module parameters are saved along with the GPIO parameters and timing table data when you save a setup file. **Always check the module parameters before uploading data to the SmartSpark.**

Figure 10 – Module Parameters



General Options

Individual Cylinder Timing (ICT) - selecting this option enables individual cylinder timing.

Automatic Start Retard - selecting this option enables the automatic start retard and the start retard slider is displayed. You can set a start retard value from zero to 10 degrees. The automatic start retard is active for 10 engine revolutions after engine start while the engine is running below 450 RPM.

Fixed Maximum RPM Limit - selecting this option overrides the maximum RPM limit value set on the switches and the RPM limit slider is displayed. However a lower launch or burnout RPM limit can still be selected.

Delay Comp - the slider allows fine tuning the timing to eliminate the effects of spark firing delay in the ignition coils. A typical value is 0.3 degrees. Check the timing with a timing light. If a noticeable retard is observed between 2,000 RPM and the upper RPM range of the engine, use a higher value for delay compensation.

Timing Table Options

Switch Selection - the unit will use the factory programmed minimum and maximum advances tables in permanent FLASH memory and interpolate between these two tables based on the advance switch setting. Refer to the page 9 for details.

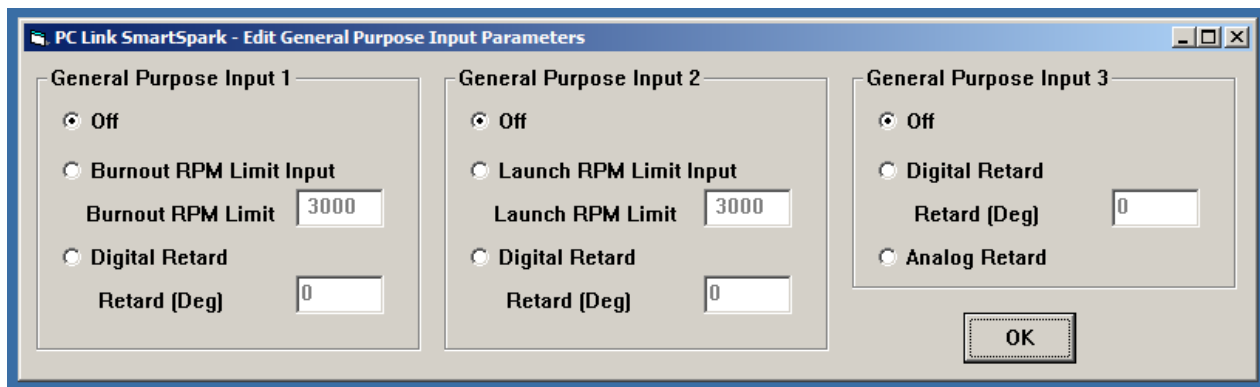
Custom Table - enables a 3D timing table with timing based on engine RPM and manifold absolute pressure (MAP). The MAP sensor option box appears. You can select disabled, 1 bar, 2 bar, or 3 bar MAP sensor. If a MAP sensor is not connected, select the disabled option. In this case the unit will use the lowest manifold pressure row (16 In-Hg) on the 3D timing table.

GENERAL PURPOSE INPUT PARAMETERS

General purpose input (GPI) parameters are displayed in a dialog box by using the Edit GPI Parameters command on the Edit menu. GPI parameters control the function of the GPI1, GPI2, and GPI3 inputs on the SmartSpark unit.

GPI parameters are saved along with the module parameters and timing table data when you save a setup file. **Always check the GPI parameters before uploading data to the SmartSpark.**

Figure 11 – GPI Parameters



General Purpose Input 1 (GPI1)

GPI1 has three modes:

Off - the GPI1 input is disabled.

Burnout RPM Limit Input - the burnout RPM limit will be active and override any launch RPM limit setting or higher maximum RPM limit setting whenever a +12V signal is detected on GPI1

Digital Retard - you can enter a retard value from zero to 20 degrees. The retard will be active whenever a +12V signal level is detected on GPI1.

General Purpose Input 2 (GPI2)

GPI2 has two modes:

Off - the GPI2 input is disabled.

Launch RPM Limit Input - the launch RPM limit will be active and override any higher maximum RPM limit setting whenever a +12V signal is detected on GPI2

Digital Retard - you can enter a retard value from zero to 20 degrees. The retard will be active whenever a +12V signal level is detected on GPI2.

General Purpose Input 3 (GPI3)

GPI3 has three modes:

Off - the GPI3 input is disabled

Analog Retard - the optional RTD-1 retard control is connected to GPI3, the +5V sensor power supply, and signal ground on the SmartSpark. The RTD-1 can be used to dial in a zero to 10 degree retard. Zero volts on GPI3 corresponds to zero retard and +5V corresponds to 10 degrees retard. This mode can be used as a driver adjustable timing function.

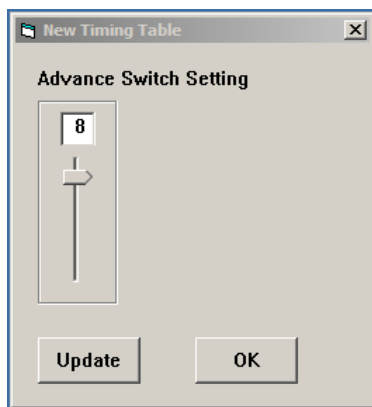
Digital Retard - you can enter a retard value from zero to 20 degrees. The retard will be active whenever a +12V signal level is detected on GPI3.

CREATING A NEW TIMING TABLE

Use the New Timing Table command on the Edit menu. A dialog box appears and allows you to enter the advance switch setting. Each time you click on Update, the corresponding timing table is displayed.

You will find the New Timing Table command useful for generating a timing table that will serve as a starting point for further edits. When you are ready to proceed with editing, click on OK. After you have edited the table, you must use the Save Table Edits To Buffer command from the Edit menu to save your edits to buffer memory. If you use the Close Table command from the Edit menu, all your edits are lost.

Figure 12 – New Timing Table

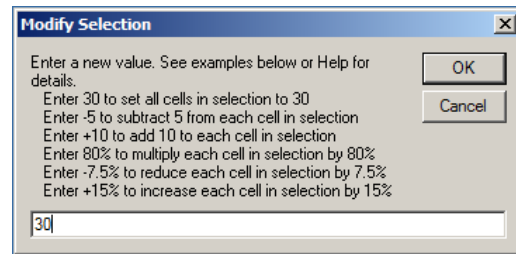


You can rotate the 3D chart display for a better view of a particular region by dragging the mouse while holding both mouse buttons down. PC Link SmartSpark is intended to be an open system and uses the Component One Chart 7.0 3D charting control. The adventurous user can experiment with the chart property pages by right clicking on the chart. Almost any chart property can be changed. Click on the Help button for more information. If you corrupt the chart, exit and restart PC Link SmartSpark.

Editing Spreadsheet Table Data

You can edit table data using standard Windows copy and paste operations by selecting cells and then clicking the right mouse button to pop-up the edit menu. You can select cells by dragging the mouse with the left button down. You can also use the Modify command on the pop-up menu. When you enter a value, the presence of optional sign (+ or -) or percent (%) characters affects the outcome of the Modify command.

Figure 13 – Modify Command



Data Export and Import by Means of Copy and Paste

You might want to export or import table data to or from another application such as Microsoft Excel and other programs with tables that support copy and paste operations. You can directly copy and paste data to and from the PC Link SmartSpark program. In the PC Link SmartSpark program, you can select a range of cells with the mouse and right click to bring up a copy and paste menu. When you paste data into the PC Link SmartSpark program, the data is automatically checked and any out-of-range data corrected.

EDITING TIMING TABLE DATA

Once you have timing table data, you can edit the data by clicking on and dragging individual points on the chart display or you can directly edit numeric data on the spreadsheet grid.

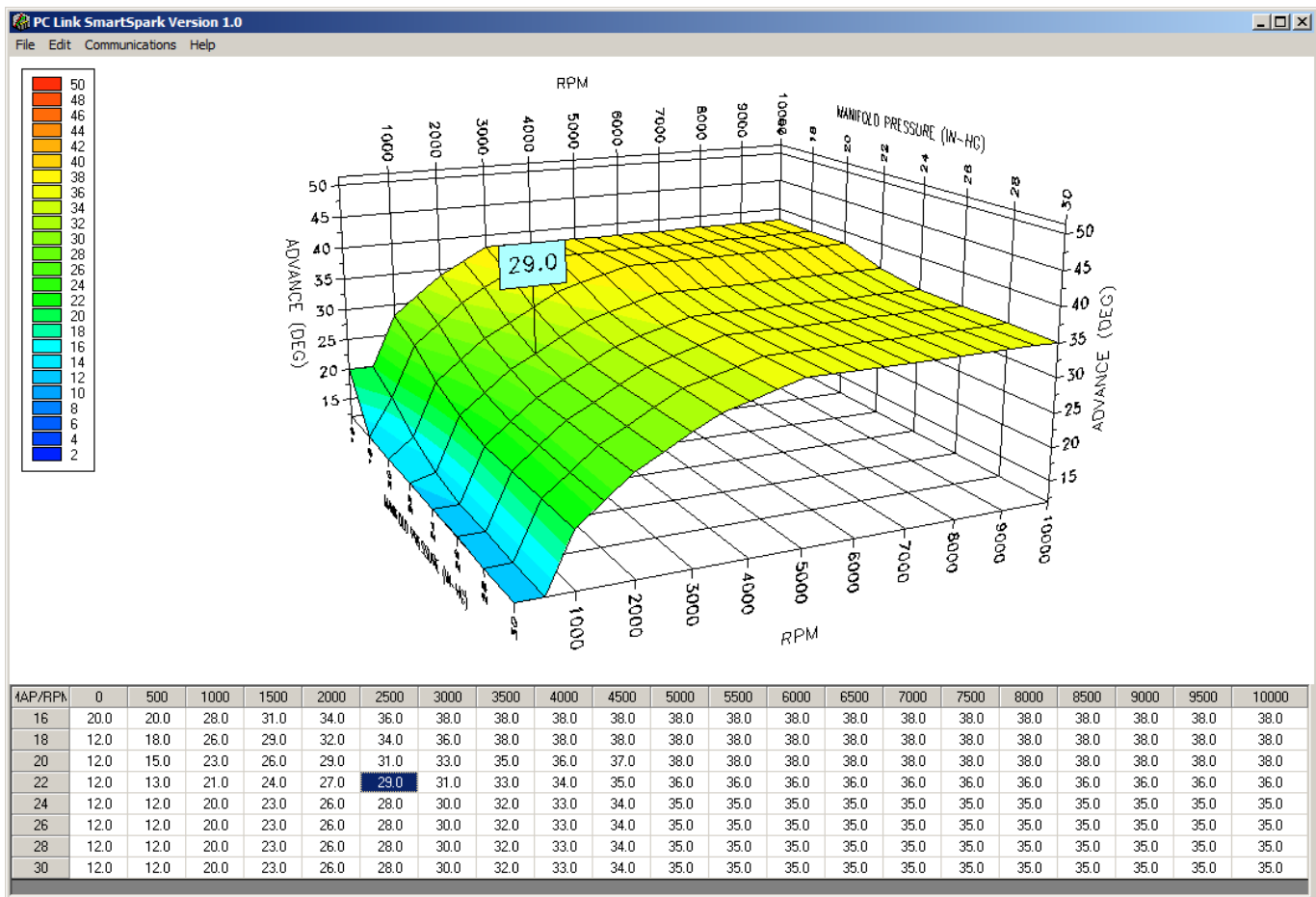
The 3D timing advance table consists of 21 columns corresponding to 500 RPM increments from zero to 10,000 RPM and 8 manifold pressure (MAP) rows. The MAP range depends on the type of MAP sensor selected under module parameters. The timing value at 10,000 RPM is used at all higher RPM levels and the timing value in the lowest MAP row is used at all lower MAP levels. Note that 30 In-Hg corresponds to atmospheric pressure (zero boost). Normally aspirated engines will not exceed 30 In-Hg and not all supercharged engines will reach the maximum MAP level for 2 bar or 3 bar MAP sensors.

The timing range of the SmartSpark is from zero to 45 degrees. The program will not allow you to enter values outside this range.

After you have edited the table, you must use the Save Table Edits To Buffer command from the Edit menu to save your edits to buffer memory. If you use the Close Table command from the Edit menu, all your edits are lost.

You can rotate the 3D chart display for a better view of a particular region by dragging the mouse while holding both mouse buttons down. PC Link SmartSpark is intended to be an open system and uses the Component One Chart 7.0 3D charting control. The adventurous user can experiment with the chart property pages by right clicking on the chart. Almost any chart property can be changed. Click on the Help button for more information. If you corrupt the chart, exit and restart PC Link SmartSpark.

Figure 14 – 3D Timing Table



Editing Spreadsheet Table Data

You can edit table data using standard Windows copy and paste operations by selecting cells and then clicking the right mouse button to pop-up the edit menu. You can select cells by dragging the mouse with the left button down. You can also use the Modify command on the pop-up menu as shown in Figure 13. When you enter a value, the presence of optional sign (+ or -) or percent (%) characters affects the outcome of the Modify command.

Data Export and Import by Means of Copy and Paste

You might want to export or import table data to or from another application such as Microsoft Excel and other programs with tables that support copy and paste operations. You can directly copy and paste data to and from the PC Link SmartSpark program. In the PC Link SmartSpark program, you can select a range of cells with the mouse and right click to bring up a copy and paste menu. When you paste data into the PC Link SmartSpark program, the data is automatically checked and any out-of-range data corrected.

EDITING ICT OFFSET TABLE DATA

Once you have individual cylinder timing (ICT) offset table data, you can edit the data by clicking on and dragging individual points on the chart display or you can directly edit numeric data on the spreadsheet grid.

The ICT offset table consists of 21 columns corresponding to 500 RPM increments from zero to 10,000 RPM and 8 cylinder number rows. The timing value at 10,000 RPM is used at all higher RPM levels.

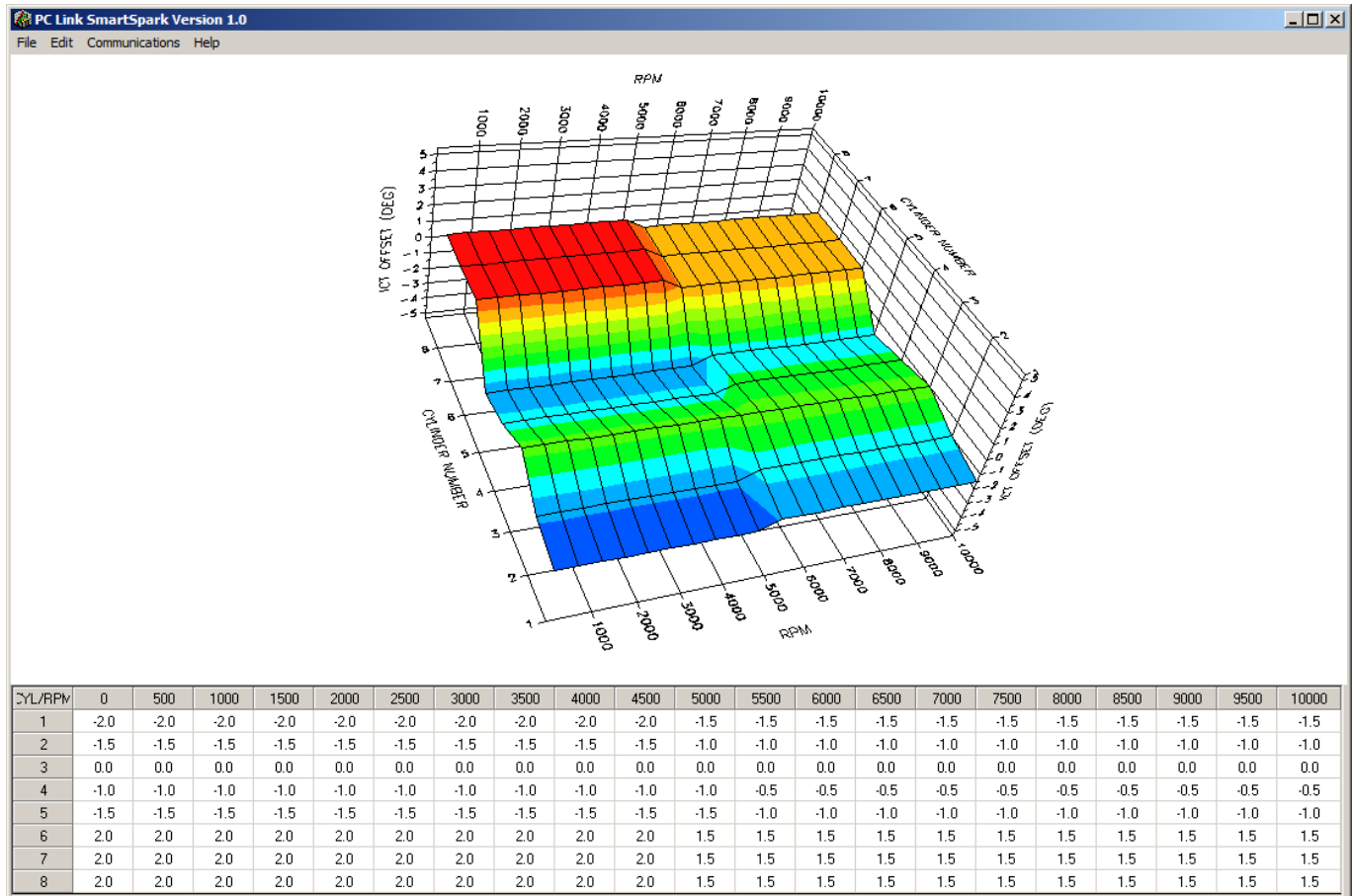
The ICT offset timing range of the SmartSpark is from -5 to +5 degrees. The program will not allow you to enter values outside this range.

After you have edited the table, you must use the Save Table Edits To Buffer command from the Edit

menu to save your edits to buffer memory. If you use the Close Table command from the Edit menu, all your edits are lost.

You can rotate the 3D chart display for a better view of a particular region by dragging the mouse while holding both mouse buttons down. PC Link SmartSpark is intended to be an open system and uses the Component One Chart 7.0 3D charting control. The adventurous user can experiment with the chart property pages by right clicking on the chart. Almost any chart property can be changed. Click on the Help button for more information. If you corrupt the chart, exit and restart PC Link SmartSpark.

Figure 15 – ICT Offset Table



You can rotate the 3D chart display for a better view of a particular region by dragging the mouse while holding both mouse buttons down. PC Link

SmartSpark is intended to be an open system and uses the Component One Chart 7.0 3D charting control. The adventurous user can experiment with the

chart property pages by right clicking on the chart. Almost any chart property can be changed. Click on the Help button for more information. If you corrupt the chart, exit and restart PC Link SmartSpark.

Editing Spreadsheet Table Data

You can edit table data using standard Windows copy and paste operations by selecting cells and then clicking the right mouse button to pop-up the edit menu. You can select cells by dragging the mouse with the left button down. You can also use the Modify command on the pop-up menu as shown in Figure 13. When you enter a value, the presence of optional sign (+ or -) or percent (%) characters affects the outcome of the Modify command.

Data Export and Import by Means of Copy and Paste

You might want to export or import table data to or from another application such as Microsoft Excel and other programs with tables that support copy and paste operations. You can directly copy and paste data to and from the PC Link SmartSpark program. In the PC Link SmartSpark program, you can select a range of cells with the mouse and right click to bring up a copy and paste menu. When you paste data into the PC Link SmartSpark program, the data is automatically checked and any out-of-range data corrected.

UPLOADING DATA TO EEPROM

Refer to the Downloading Data from EEPROM section on page 13 for details about USB interface hookup and COM port setup. Before uploading, make sure the parameters and timing tables are correct.

Upload data by using the Upload To EEPROM command on the Communications menu. A status message is displayed when the upload process has been successfully completed.

SMARTSPARK LOG SOFTWARE

When the engine is running, you can display real time engine data on an instrument panel type screen as shown in Figure 16 by using the View Real Time Data command on the View menu.

Connect the USB interface. Set the switch on the USB interface to the "B" position. Turn on power to the SmartSpark.

When launched for the first time, the program uses COM1 as the default port. In most cases, you will have configured the USB interface to use a different COM port, such as COM5. Use the Port Setup command on the Communications menu to select the correct COM port. The program will remember the new port setup.

Real time engine data is displayed on an instrument panel type layout with a round tach gauge and bar graph type gauges for all other parameters. Status messages are displayed in a separate window.

If the engine is not running, most values will appear as zero or off.

Displayed parameters include:

MAP – manifold pressure in In-Hg (29.92 In-Hg corresponds to sea level atmospheric pressure). Not displayed if the MAP sensor disable option is selected under Module Parameters (refer to page 13)

RPM – engine crankshaft RPM (numeric value displayed beneath gauge)

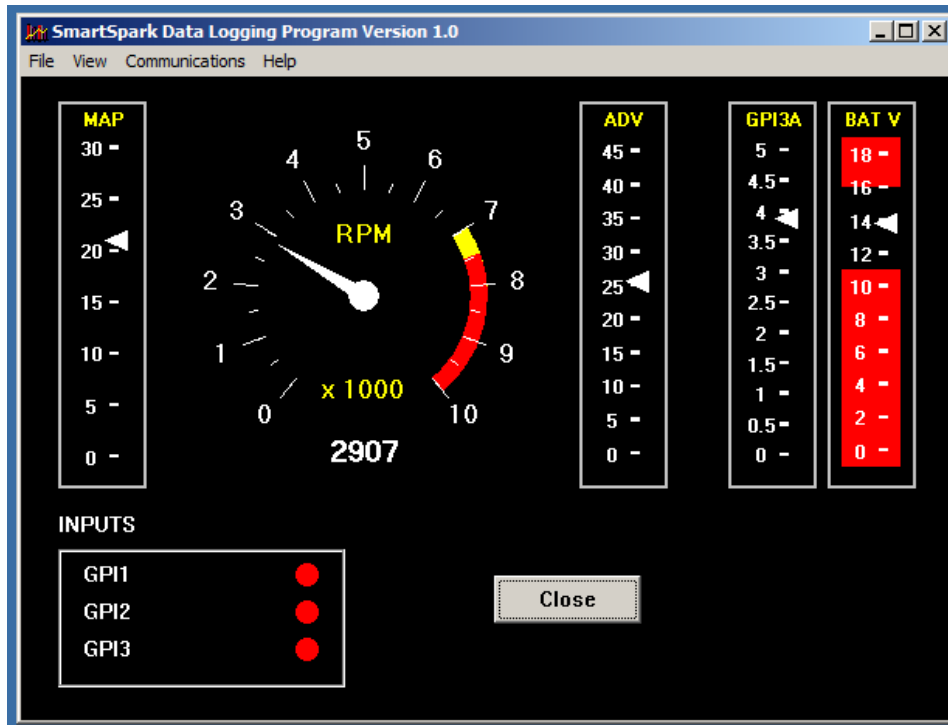
ADV – ignition advance in degrees (for cylinder 1 when ICT is active)

GPI3A - GPI3 analog input voltage (0-5V)

BAT – battery voltage

GPI1-3 – red if the corresponding input is active

Figure 16 – Real Time Engine Data Display



APPENDIX – RECOMMENDED PARTS AND SUPPLIERS

MAP SENSORS

Recommended MAP sensors are listed in the table below. Note that Wells is stocked by Autozone (www.autozone.com) and SMP (Standard Motor Products) is stocked by RockAuto (www.rockauto.com).

Range	Delphi P/N	Aftermarket P/Ns
1 bar (normally aspirated engines)	12219927, 16254719, 16175339, 12247561	Daytona Sensors 115011 Wells SU105 SMP AS165
2 bar (0-15 psi boost)	16009886	Daytona Sensors 115012 Wells SU129 SMP AS4
3 bar (0-30 psi boost)	12223861	Daytona Sensors 115013 Wells SU504 SMP AS210

WIRE

Wire supplied with most automotive accessories is usually un-tinned copper with a low number of strands. The unprotected copper in this inexpensive wire quickly oxidizes, especially when in contact with dissimilar metals on terminals. The low number of strands limits life in applications where flexing occurs. We recommend the use of high quality industrial grade wire with tinned copper strands and a high strand count.

18-20 AWG sizes can be used for all signal and low current applications. 16-18 AWG is adequate for line lock and trans brake solenoid wiring. 14 AWG should be used for high current fuel and nitrous solenoid wiring. Carol UL grade 1007/1015 wire is available from Digi-Key.

P/N	Description
C2040X-100	20 AWG wire (100 foot spool)
C2064X-100	18 AWG wire (100 foot spool)
C2104X-100	16 AWG wire (100 foot spool)
C2105X-100	14 AWG wire (100 foot spool)

Note: replace X with color code B=Black, W=White, R=Red, G=Green, A=Orange, Y=Yellow, L=Blue, N=Brown, S=Gray, V=Violet

CRIMP TERMINALS

High quality crimp terminals and a proper crimping tool are required to make reliable electrical connections. Crimp terminals commonly sold in automotive and hardware stores have brittle vinyl insulation that easily cracks. We recommend the use of high quality industrial grade nylon insulated crimp terminals. The following parts are available from Digi-Key.

P/N	Description
A27241	16-20 AWG #10 ring tongue terminal
A27246	16-20 AWG 1/4" ring tongue terminal
A27248	16-20 AWG 3/8" ring tongue terminal
A27262	14-16 AWG 1/4" ring tongue terminal
A27264	14-16 AWG 3/8" ring tongue terminal
A27288	10-12 AWG 1/4" ring tongue terminal
A27291	10-12 AWG 3/8" ring tongue terminal
A0911	18-22 AWG .110" female quick disconnect terminal
MNU18-187DFIK	18-22 AWG .187" female quick disconnect terminal
MNU18-250DFIK	18-22 AWG 1/4" female quick disconnect terminal
MNU14-250DFIK	14-16 AWG 1/4" female quick disconnect terminal
A1069	16-22 AWG butt splice
A1080	14-16 AWG butt splice
A1086	10-12 AWG butt splice

RELAYS

The typical import brand 30-40 amp relays leave little safety margin. When used to switch heavy inductive solenoid loads, arcing can result in the contacts welding together – a potentially catastrophic failure mode. We recommend using Tyco/P&B automotive OE grade relays available from Newark Electronics and Digi-Key. Use the 40 amp version for most applications and the 70 amp version for fuel/nitrous solenoid activation. We recommend that you use the relay sockets and crimp terminals listed along with the relays.

P/N	Description
1432791-1	40 amp VF4 series relay
VCF4-1001	Socket for VF4 series relay

60249-1	12-16 AWG terminal for VF4
VF7-41F11	70 amp VF7 series relay
VCF7-1000	Socket for VF7 series relay
42281-1	14-18 AWG terminal for VF4 coil connections (2 required)
280756-4	10-14 AWG terminal for VF7 contact connections (2 required)

FUSES AND FUSE TAPS

ATC series fuses and fuse holders commonly used for automotive applications are only available in 40 amp and lower ratings. For high current applications, we recommend the heavy duty 50 amp Littlefuse Maxi Fuse series available from Digi-Key.

P/N	Description
F1085	Maxi fuse block
F1038	50 amp Maxi fuse

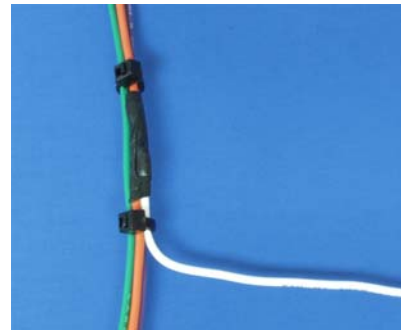
SWITCHES

All switches used in performance applications should be sealed. Representative sealed toggle and rocker style switches available from Digi-Key are listed below.

P/N	Description
480-2191	Honeywell SPDT toggle switch
360-2278	NKK SPDT rocker switch

RELIABLE CONNECTIONS TO EXISTING SIGNALS

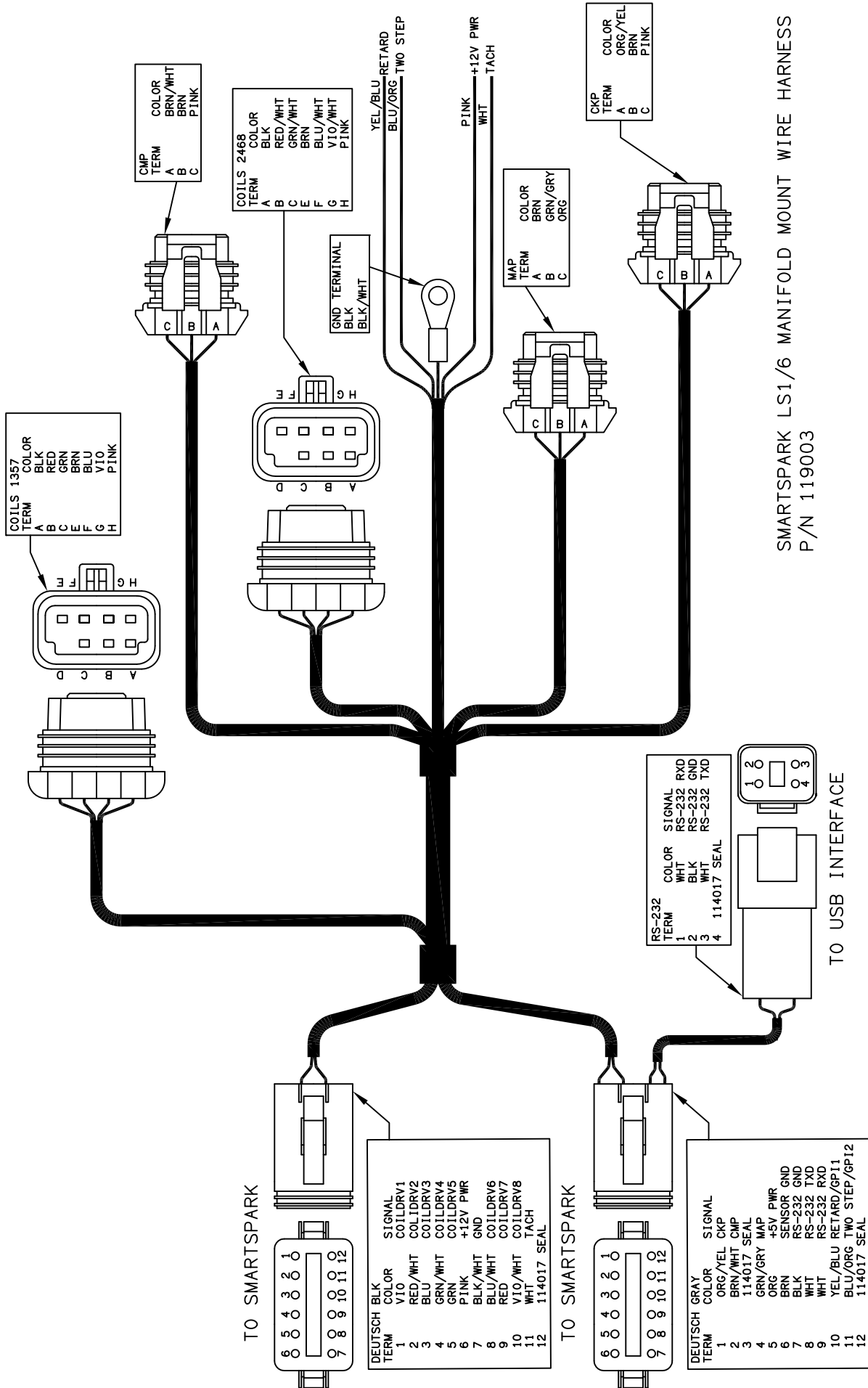
For some applications, you may have to tap into existing signal wires on the vehicle. We caution against using any of the so called “vampire clips” that make an insulation displacement connection. These have proven very unreliable in racing applications. They may even cause the original wire to fray and break. We suggest soldering any connections to existing signals. Use a stripping tool to cut through and push back about 1/4” of insulation at the spot on the original wire where you plan to make the connection. Wrap several turns of the new wire around, solder, insulate with self vulcanizing electrical tape, and use two cable ties to secure the splice as shown. Regular electrical tape will tend to unravel. Self vulcanizing electrical tape is available from Digi-Key as their P/N W213.



SUPPLIERS

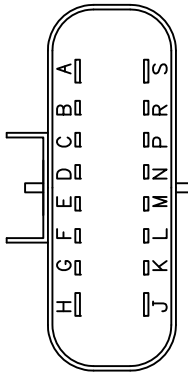
Suppliers referenced in the Appendix are listed in the table below. Additional suppliers for connectors, electronic tools, mechanical hardware, and test equipment are listed on our website at www.daytona-sensors.com/tech_tools.htm.

Supplier	Phone	Website
Digi-Key	1-800-344-4539	www.digi-key.com
Mouser	1-800-346-6873	www.mouser.com
Newark	1-800-463-9275	www.newarkinone.com
State Wire & Terminal	1-800-922-6527	www.statewire.com

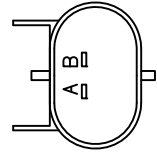


SMARTSPARK LS1/6 MANIFOLD MOUNT WIRE HARNESS
P/N 119003

TERM	COLOR	SIGNAL
A	BLK/WHT	GND
B	PINK	+12V PWR
C	BRN/WHT	CMP
D	RED/WHT	COILDRV2
E	GRN/WHT	COILDRV4
F	BLU/WHT	COILDRV6
G	VIO/WHT	COILDRV8
H	WHT	TACH
J	BRN	SENSOR GND
K	GRN/GRY	MAP
L	RED	COILDRV7
M	GRN	COILDRV5
N	BLU	COILDRV3
P	VIO	COILDRV1
R	ORG/YEL	CKP
S	ORG	+5V PWR

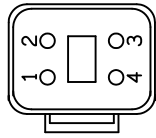


TO MSD HARNESS



TERM	COLOR	SIGNAL
A	YEL/BLU	RETARD/GPI1
B	BLU/ORG	TWO STEP/GPI2

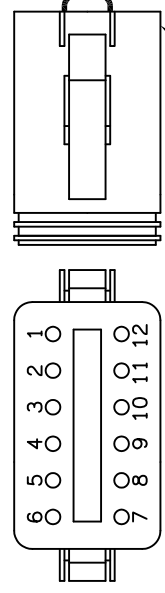
TO USB INTERFACE



TERM	COLOR	SIGNAL
1	WHT	RS-232 RXD
2	BLK	RS-232 GND
3	WHT	RS-232 TXD
4	114017 SEAL	

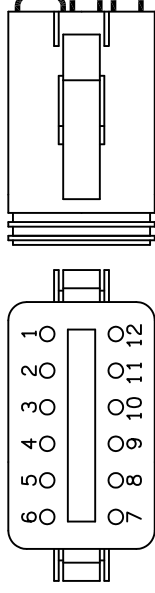
SMARTSPARK ADAPTER HARNESS
P/N 119004

TO SMARTSPARK

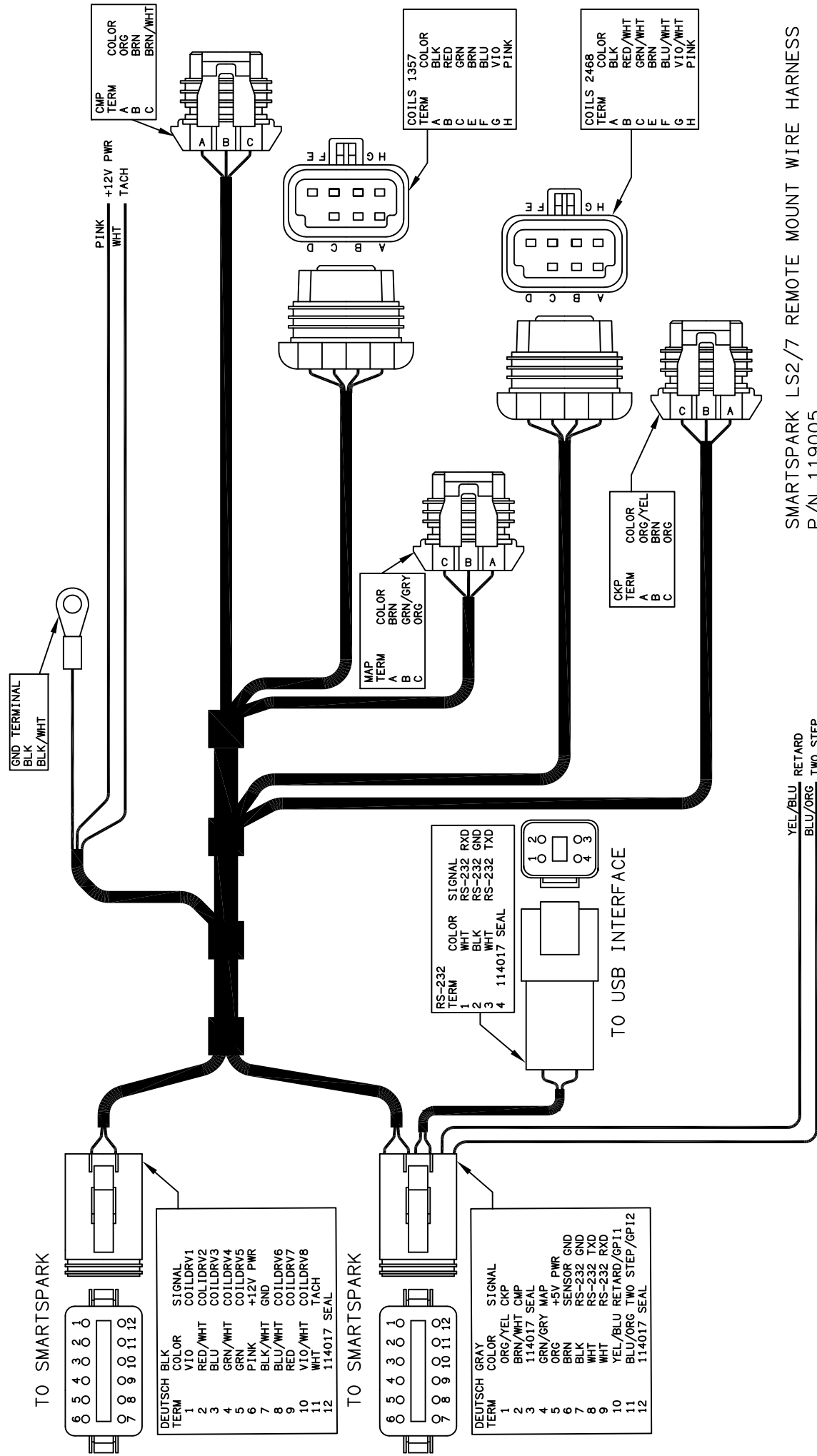


DEUTSCH TERM	BLK	COLOR	SIGNAL
1		VIO	COILDRV1
2		RED/WHT	COILDRV2
3		BLU	COILDRV3
4		GRN/WHT	COILDRV4
5		GRN	COILDRV5
6		PINK	+12V PWR
7		BLK/WHT	GND
8		BLU/WHT	COILDRV6
9		RED	COILDRV7
10		VIO/WHT	COILDRV8
11		WHT	TACH
12		114017 SEAL	

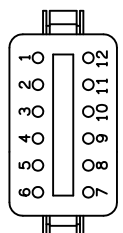
TO SMARTSPARK



DEUTSCH TERM	GRAY	COLOR	SIGNAL
1		ORG/YEL	CKP
2		BRN/WHT	CMP
3		114017 SEAL	
4		GRN/GRY	MAP
5		ORG	+5V PWR
6		BRN	SENSOR GND
7		BLK	RS-232 GND
8		WHT	RS-232 TXD
9		WHT	RS-232 RXD
10		YEL/BLU	RETARD/GPI1
11		BLU/ORG	TWO STEP/GPI2
12		114017 SEAL	

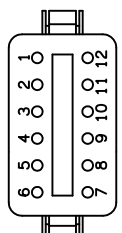


TO SMARTSPARK



DEUTSCH TERM	COLOR	SIGNAL
1	BLK	COILDRV1
2	VIO	COILDRV2
3	RED/WHT	COILDRV3
4	BLU	COILDRV4
5	GRN/WHT	COILDRV5
6	GRN	COILDRV5
7	PINK	+12V PWK
8	BLK/WHT	GND
9	BLU/WHT	COILDRV6
10	RED	COILDRV7
11	VIO/WHT	COILDRV8
12	WHT	TACH
		114017 SEAL

TO SMARTSPARK



DEUTSCH TERM	COLOR	SIGNAL
1	GRY	ORG/YEL CKP
2	ORG/WHT	CMP
3	114017	SEAL
4	GRN/GRY	MAP
5	ORG	+5V PWK
6	BRN	SENSOR GND
7	BLK	RS-232 GND
8	WHT	RS-232 TXD
9	WHT	RS-232 RXD
10	YEL/BLU	RETARD/GP11
11	BLU/ORG	TWO STEP/GP12
12		114017 SEAL

GND TERMINAL
BLK/WHT

PINK
WHT
+12V PWK
TACH

CMP TERM	COLOR
A	ORG
B	BRN
C	BRN/WHT

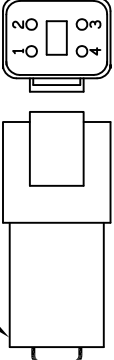
MAP TERM	COLOR
A	BRN
B	GRN/GRY
C	ORG

COILS 1357 TERM	COLOR
A	BLK
B	RED
C	GRN
D	BRN
E	BLU
F	VIO
G	PINK
H	

COILS 2468 TERM	COLOR
A	BLK
B	RED/WHT
C	GRN/WHT
D	BRN
E	BLU/WHT
F	VIO/WHT
G	PINK
H	

CKP TERM	COLOR
A	ORG/YEL
B	BRN
C	ORG

RS-232 TERM	COLOR	SIGNAL
1	WHT	RS-232 RXD
2	BLK	RS-232 GND
3	WHT	RS-232 TXD
4	114017	SEAL



TO USB INTERFACE

SMARTSPARK LS2/7 REMOTE MOUNT WIRE HARNESS
P/N 119005

YEL/BLU RETARD
BLU/ORG TWO STEP

