

**GOVERNOR LINE PRESSURE REGULATOR WITH OVER PRESSURE DEVICE (OPD)  
CAPACITY IN CFH FOR .60 SPECIFIC GRAVITY GAS**

<b>30153DC 1¼"</b>	<b>Outlet Pressure Set Point</b>	<b>Operating Inlet Pressure</b>		
	8" W.C.	5,297	7,891	7,891
	11" W.C.	5,264	7,891	7,891
<b>30154DC 1½"</b>	14" W.C.	4,743	7,891	7,891
	<b>Outlet Pressure Set Point</b>	<b>Operating Inlet Pressure</b>		
	8" W.C.	5,650	8,240	8,240
<b>30155DC 2"</b>	11" W.C.	5,496	8,240	8,240
	14" W.C.	4,952	8,240	8,240
	<b>Outlet Pressure Set Point</b>	<b>Operating Inlet Pressure</b>		
<b>30157DC 3"</b>	8" W.C.	19,947	15,087	15,087
	11" W.C.	10,064	15,087	15,087
	14" W.C.	9,068	15,087	15,087
<b>30158DC 4"</b>	<b>Outlet Pressure Set Point</b>	<b>Operating Inlet Pressure</b>		
	8" W.C.	16,810	23,202	23,202
	11" W.C.	15,715	23,202	23,202
	14" W.C.	13,768	23,202	23,202
	<b>Outlet Pressure Set Point</b>	<b>Operating Inlet Pressure</b>		
	8" W.C.	29,452	40,612	40,612
	11" W.C.	27,545	40,612	40,612
	14" W.C.	24,094	40,612	40,612

**Materials**

- Body & Cover: Aluminum Alloy
- External Coatings: Polyurethane paint on request
- Diaphragm, O Rings & Valve: Nitrile Rubber
- Diaphragm Pan: Aluminized Steel

**Outlet Spring Ranges**

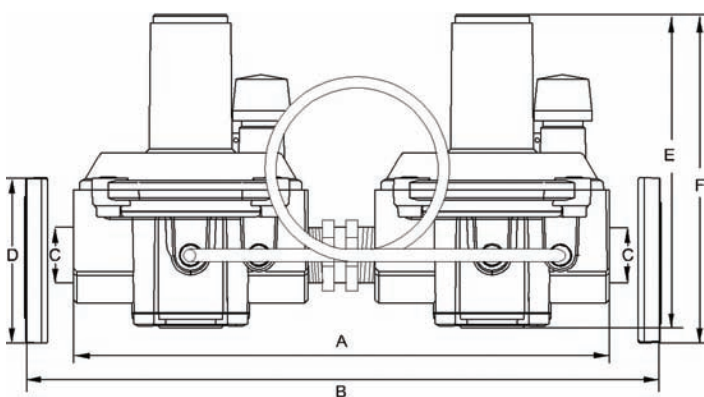
- Green 2" W.C. to 5.1" W.C.
- Red 2.75" W.C. to 7.87" W.C.
- White 4" W.C. to 11.8" W.C.
- Black 6" W.C. to 14" W.C.
- Yellow 9.8" W.C. to 1 PSIG

**Vent Sizes**

- 1/4" NPT 1/2" – 1"
- 1/2" NPT 1¼" – 4"

**Inlet Pressure CSA Certified Max 5 PSIG**

Non CSA Certified Max 7.25 PSIG



**DIMENSIONS (IN INCHES)**

Model #	Size	A	B	C	D	E	F	Weight (Lbs)
<b>30051</b>	1/2" NPT	8.86	-	1/2	-	5.59	-	3.25
<b>30052</b>	3/4" NPT	8.86	-	3/4	-	5.59	-	3.25
<b>30053</b>	1" NPT	8.86	-	1	-	5.59	-	3.25
<b>30150</b>	1/2" NPT	11.22	-	1/2	-	6.89	-	5.75
<b>30151</b>	3/4" NPT	11.22	-	3/4	-	6.89	-	5.75
<b>30152</b>	1" NPT	11.22	-	1	-	6.89	-	5.75
<b>30153</b>	1¼" NPT	16.61	-	1¼	-	10	-	15.5
<b>30154</b>	1½" NPT	16.61	-	1½	-	10	-	15.5
<b>30155</b>	2" NPT	19.88	-	2	-	12.44	13.74	25
<b>30157/F</b>	3" FLANGED	-	33.93	3	ANSI 150	-	17.09	56
<b>30158/F</b>	4" FLANGED	-	33.93	4	ANSI 150	-	19.76	56