

Australia Patent #2,002, 309, 688 (32 Claims)

By Thomas G. Lang and James T. Lang

Term of Patent: 20 Years from 10 may 2002

Low-Drag Hydrodynamic Surfaces

FIG. 1

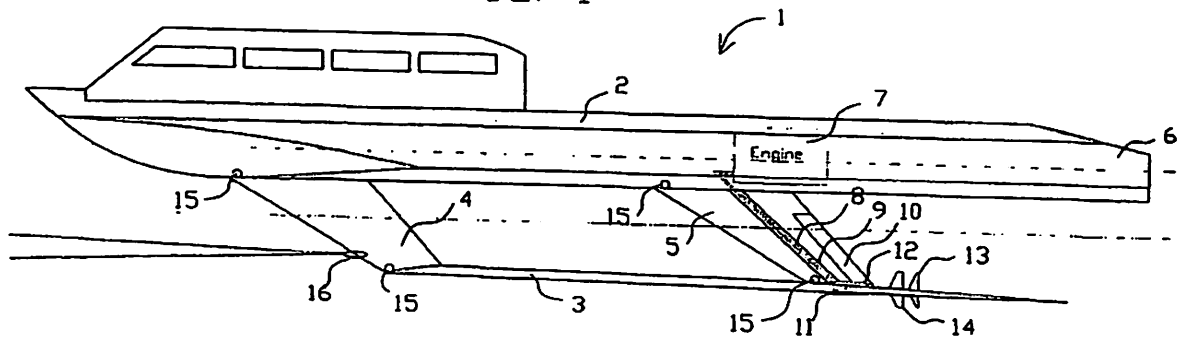


FIG. 2

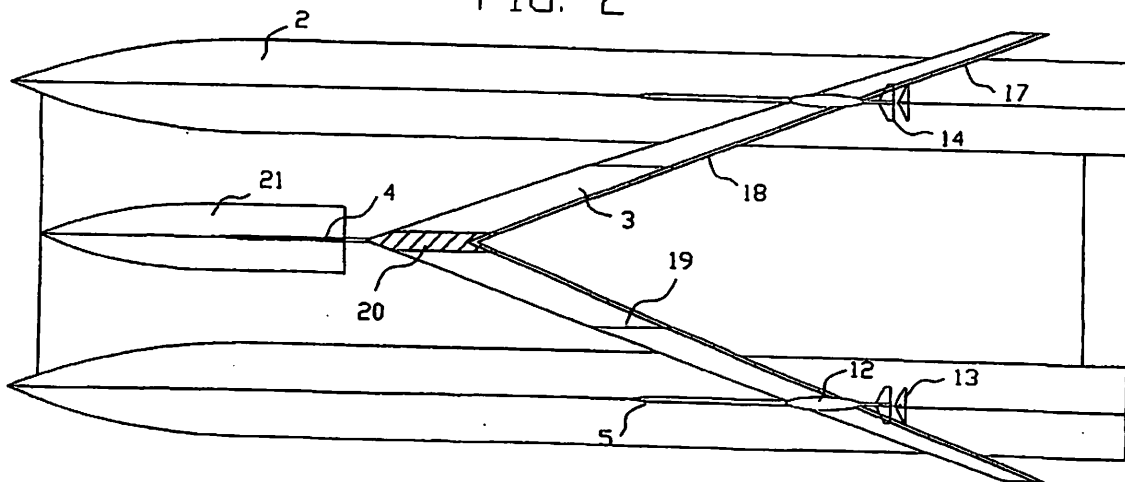


FIG. 3

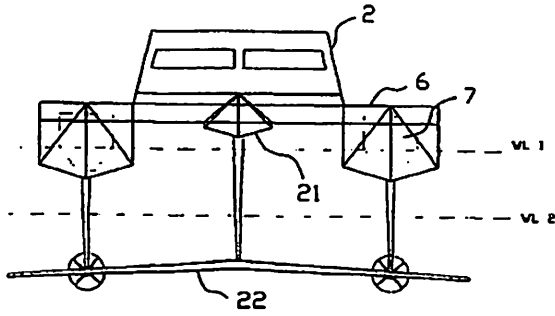


FIG. 4

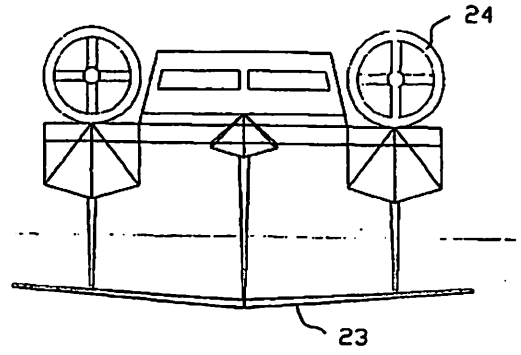


FIG. 5

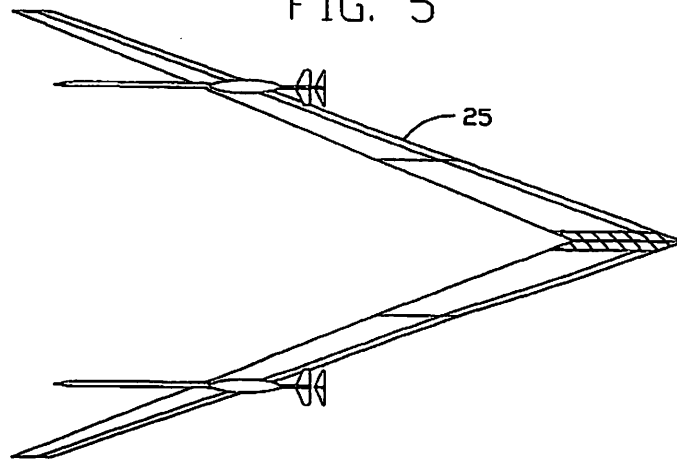


FIG. 35

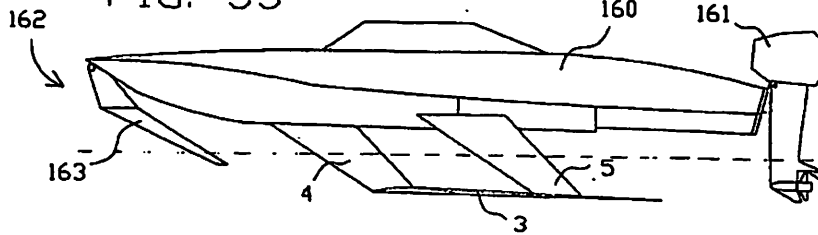


FIG. 36

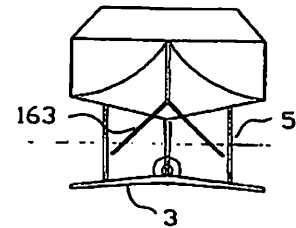


FIG. 37

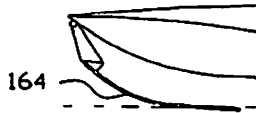


FIG. 38

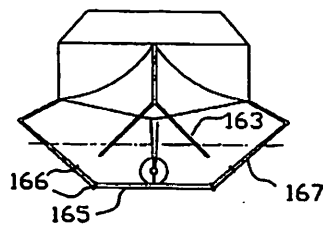


FIG. 39

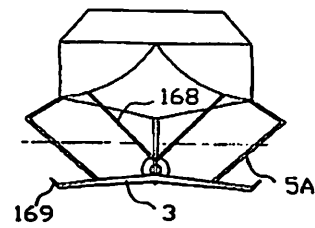


FIG. 42

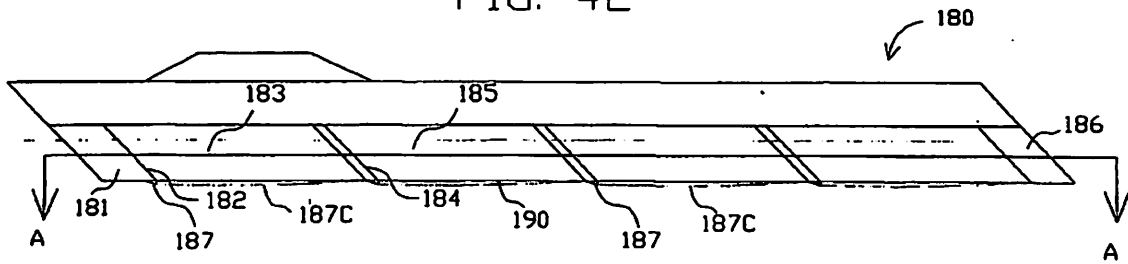


FIG. 43

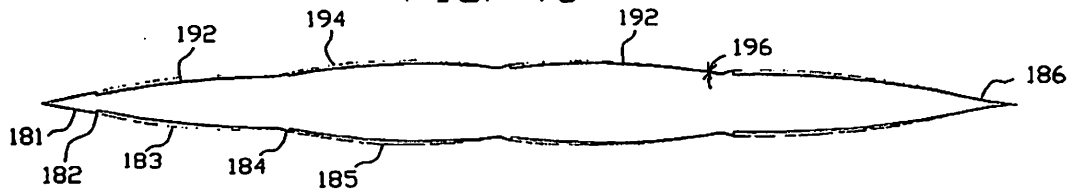


FIG. 44

