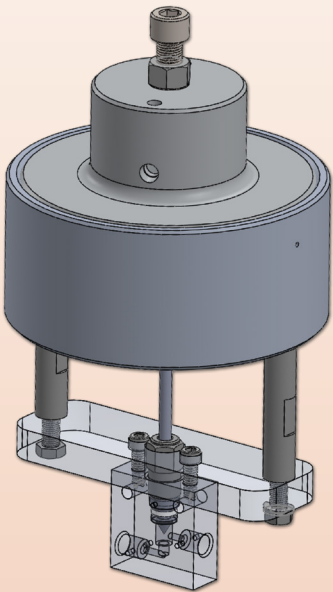


Air Actuators for Remote Valve Operation

GPP air actuators are designed and manufactured for reliability in demanding environments. Air actuators are typically used when remote on/off valve function is desired. Typical reasons for using actuated valves are harsh environments, limited access, or repetitive actuation demands. An important feature of the actuated valve is faster response in valve operation compared to hand actuation.

Normally Open - The valve remains in the open state until air is supplied to the actuator causing it to close. Loss of air pressure allows the valve to open.

Normally Closed - The valve remains in the closed state until air is supplied to the actuator causing it to open. Loss of air pressure allows the valve to close.



Actuator Selection Process:

- Step 1:** Choose the best manual valve for your application.
- Step 2:** Find the valve's part number from chart below.
- Step 3:** Find the actuator with the correct allowable operating pressure.
- Step 4:** Add the actuator type to the end of the valve part number.

	Normally Open / Air to close (ATC)		Normally Closed / Air to Open (ATO)	
	5" ACTUATOR TYPE 2	8" ACTUATOR TYPE 4	5" ACTUATOR TYPE 3	8" ACTUATOR TYPE 5
AV-20K4	20,000 psi (1380 bar)		20,000 psi (1380 bar)	20,000 psi (1380 bar)
AVT-20K4	70 psi (4.8 bar)		82 psi (5.6 bar)	55 psi (3.7 bar)
AV-20K6	20,000 psi (1380 bar)		20,000 psi (1380 bar)	20,000 psi (1380 bar)
AVT-20K6	70 psi (4.8 bar)		82 psi (5.6 bar)	55 psi (3.7 bar)
AV-20K9	18,000 psi (1240 bar)	20,000 psi (1380 bar)	14,000psi (970 bar)	20,000 psi (1380 bar)
AVT-20K9	100 psi (6.8 bar)	50 psi (3.4 bar)	85 psi (5.8 bar)	60 psi (4 bar)
AV-20K12		20,000 psi (1380 bar)		12,500 psi (860 bar)
AVT-20K12		100 psi (6.8 bar)		55 psi (3.7 bar)
AV-20K16		12,000 psi (830 bar)		7,500 psi (520 bar)
AVT-20K16		100 psi (6.8 bar)		65 psi (4.5 bar)
AV-66K4	66,000 psi (4140 bar)		66,000 psi (4140 bar)	
AVT-66K4	23 psi (1.5 bar)		23 psi (1.5 bar)	
AV-66K6	66,000 psi (4140 bar)		66,000 psi (4140 bar)	
AVT-66K6	23 psi (1.5 bar)		23 psi (1.5 bar)	
AV-66K9	66,000 psi (4140 bar)		66,000 psi (4140 bar)	
AVT-66K9	23 psi (1.5 bar)		23 psi (1.5 bar)	