



by Honeywell

# FocalPoint® Graphic Workstation

## Description

The Gamewell-FCI, FocalPoint® Graphic Workstation is a IP-based graphic user interface that connects to the 7100, E3 Series® or S3 Series of fire alarm control panels via the Gateway interface. It can be connected to a proprietary or shared TCP/IP network. The FocalPoint Workstation is a high-performance industrial computer that provides text and color graphic display of fire alarm control panel network events and locations. This central command station displays systems' activities in real-time. One workstation has the capacity of simultaneously monitoring multiple FocalPoint Gateways that can be connected to the following systems:

- Standalone 7100
- 7100 NetSOLO® Networks
- Standalone E3 Series
- E3 Series Networks
- Standalone S3 Series
- S3 Series Networks

The FocalPoint Graphic Workstation supports a broad scope of commercial, industrial and institutional applications. The system can be configured to monitor multiple systems installed in remote locations to meet the facility requirements of multi-building complexes.

The Workstation is used as a decision support tool by facilities management and security personnel. This workstation uses graphic images to display information that allows personnel to quickly evaluate the emergency and make prompt and informed decisions. From a single screen, a workstation operator can do the following:

- Magnify the facility map using the “zoom in” and “zoom out” feature to view floor plans or identify the location and type of multiple events.
- Monitor remote site activity and link multimedia (text, audio, video, and bitmaps) to any device.
- View the event history log on the same screen as the facility floor plans to evaluate the sequence of events.
- Print reports of system-wide events in real-time.
- Display History Manager records for operator, event, and response (with time and date stamp to disk).

E3 Series®, FocalPoint® and NetSOLO® are registered trademarks of Honeywell International, Inc.  
 Core™ is a trademark and Intel® Pentium® is a registered trademark of Intel® Corporation.  
 UL® is a registered trademark of Underwriters Laboratories.  
 Microsoft® Windows® is a registered trademark of Microsoft® Corporation.

## IP-Based Graphic User Interface



FocalPoint Graphic Workstation

## Features

- Listed under UL® Standard 864, 9th Edition.
- Offers a flexible remote control. Using the workstation with the following systems, the Acknowledge, Reset and Silence fire alarm functions can be activated via remote control.
  - E3 Series
  - 7100 Series
  - S3 Series
- User-Friendly System Setup - Import facility floor plans as Windows® graphic bitmaps or Windows® graphic meta files.
- Secure Access - Security profiles provide multiple levels of access to different user types.
- Improved System Maintenance - Reports and logs trouble events.
- Automatic Screen Navigation -(selectable for each device) that locates and zooms to the device related to an alarm or event, based on the priority of the event.
- Backup capability - System backups for screen, user, or history databases. All software is backed up on CD-RW.
- Information Labels - Identify Hazardous Material (HAZMAT) and handicapped accessible areas using fully linked multimedia.
- Includes an optional touchscreen display to be used as a simple, intuitive interface.

SIGNALING



S5526  
S5697

MEA  
FDNY:

COA-#6149 7300-1703:0168



GAMEWELL-FCI

12 Clintonville Road, Northford, CT 06472-1610 USA • Tel: (203) 484-7161 • Fax: (203) 484-7118

Specifications are for information only, are not intended for installation purposes, and are subject to change without notice. No responsibility is assumed by Gamewell-FCI for their use.

©2016 by Honeywell International, Inc. All rights reserved.

www.gamewell-fci.com

9020-0647 Rev. L page 1 of 4

## Description (Continued)

Use this graphic workstation to evaluate complex situations and quickly make strategic decisions when monitoring the fire alarm control system. During an emergency, where information must be evaluated in seconds, using a small, LCD screen to navigate a fire alarm control panel is arduous and time-consuming. The Workstation greatly simplifies the management of medium to large size fire alarm control systems. Operators can use this workstation to view the status of multiple fire alarm systems and track system events in real-time from a central location.

### FocalPoint Workstation:

The following list the FocalPoint Workstation features.

- Rack-Mountable Intel® i7-4700EQ, 2.4GHz, QM87, 4th Gen, (four cores/8 threads)
- 6 MB Cache
- 16 MB of system RAM
- 240 GB Solid-State Hard Drive
- Microsoft Windows 7 Professional 64 Bit
- 22 inch monitor – available also in touchscreen
- USB optical mouse and keyboard
- UL 864 9Th Edition Listed (Fire)

### Graphics:

The graphics features are listed below.

- Graphic editing mode allows on-site programming of floor plan screens, device icons, functional and navigational buttons.
- Imports the following types of converted vector drawing files from CAD floor plan drawings.
  - .WMF
  - .JPG
  - .BMP
  - .GIF
- Print graphics of floor plans and reports.
- Custom-designed, device icon colors that represent each event type.

### Minimum System Requirements:

The following list the minimum system requirements.

- Intel i5 Processor or better
- Windows 7 64-bit Professional
- 4 GB RAM
- 40 GB Hard Drive.
- Regular or Touchscreen LCD Monitor, Minimum resolution of 1280x1024 Landscape Mode
- Auxiliary Ports:
  - One RS-232 Port and Serial cable for event printer operation
  - One Parallel printer port for graphics printing
- Microsoft® compatible mouse
- 104-key keyboard
- USB Connector
- TCP/IP Ethernet Network Adapter Card
- Speakers

### Network:

The FocalPoint Graphic Workstation uses the following network.

- Ethernet network.

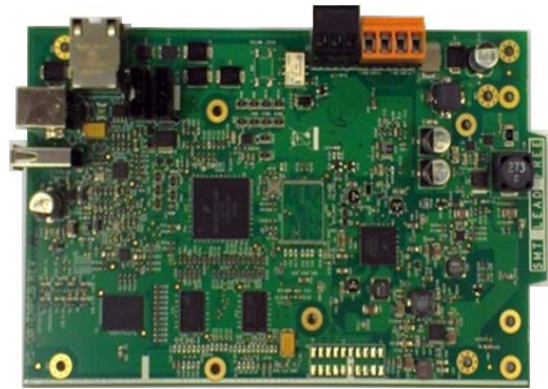


Figure 1 FocalPoint Gateway

### FocalPoint Gateway

The FocalPoint Gateway is a powerful interface that provides the capacity to monitor multiple networks installed in remote locations. The gateway interfaces with the following standalone and network product lines via the panel's RS-232 port and Ethernet ports.

- E3 Series (Ethernet only)
- S3 Series (Ethernet only)
- 7100 Standalone RS-232 interface only

In addition, the gateway can be used to connect to the FocalPoint Graphic Workstation via a standard Ethernet TCP/IP networking.

### ANX

The Addressable Node Expander (ANX) is a network interface board that is used to connect the FocalPoint Graphic Workstation and the E3 Series fire alarm control panels through the Ethernet. The ANX interface can use voice communication with text and graphics to transmit information in real-time to other systems in the network.

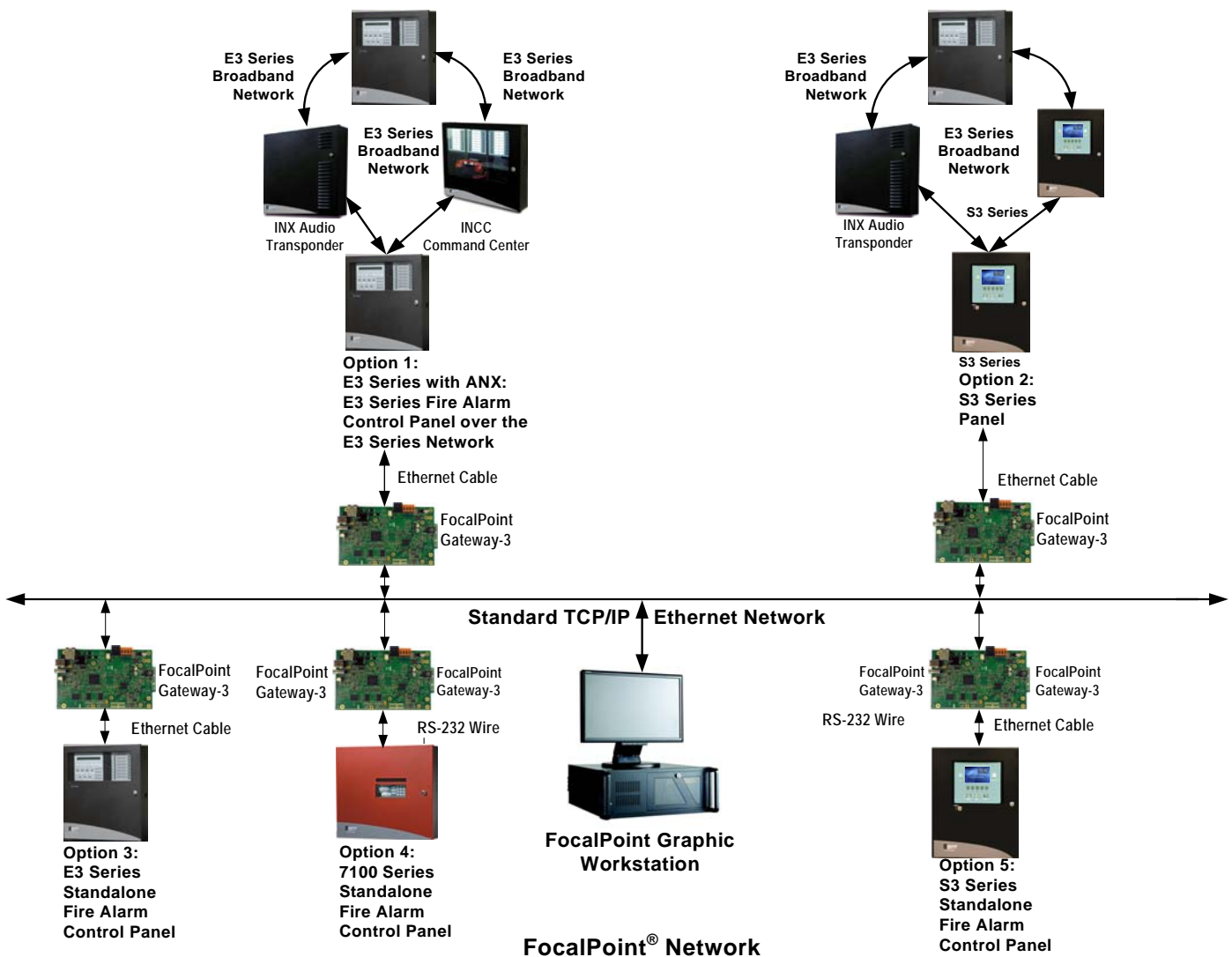
For additional information on the ANX, refer to Data Sheet Part Number: 9021-60497.

Figure 2 illustrates the adaptable, flexibility of the FocalPoint Gateway to connect to any of the following types of network installation options:

- Option 1: E3 Series network.
- Option 2: S3 Series network.
- Option 3: E3 Series standalone.
- Option 4: 7100 Series standalone.
- Option 5: S3 Series standalone.

## Control Capabilities

| Panel                | Acknowledge | Silence | Reset | Enable/Disable | Virtual ASM Keys | Comments   |
|----------------------|-------------|---------|-------|----------------|------------------|--|
| 7100 Standalone      | No          | No      | No    | No             | No               | Monitor only   |
| E3 Series Standalone | Yes         | Yes     | Yes   | Yes            | Yes              | Enable/Disable requires ILI/ILI95-E3 Series 1.4 Firmware and FPT3.12 or greater.                                       |
| E3 Series Network    | Yes         | Yes     | Yes   | Yes            | Yes              | Enable/Disable requires ILI/ILI95-E3 Series 1.4 Firmware and FPT3.12 or greater. ANX required for FPT 3.14 or greater. |
| S3 Series Standalone | Yes         | Yes     | Yes   | Yes            | Yes              |  |
| S3 Series Network    | Yes         | Yes     | Yes   | Yes            | Yes              |  |



E3 Series®, FocalPoint®, and NetSOLO® are registered trademarks of Honeywell International Inc.  
 ©2016 by Honeywell International, Inc. All rights reserved.

**Figure 2 FocalPoint Gateway Installation Options**

**GAMEWELL-FCI**

12 Clintonville Road, Northford, CT 06472-1610 USA • Tel: (203) 484-7161 • Fax: (203) 484-7118

[www.gamewell-fci.com](http://www.gamewell-fci.com)

9020-0647 Rev. L page 3 of 4

Figure 3 illustrates the ANX integration with the FocalPoint using the Ethernet.

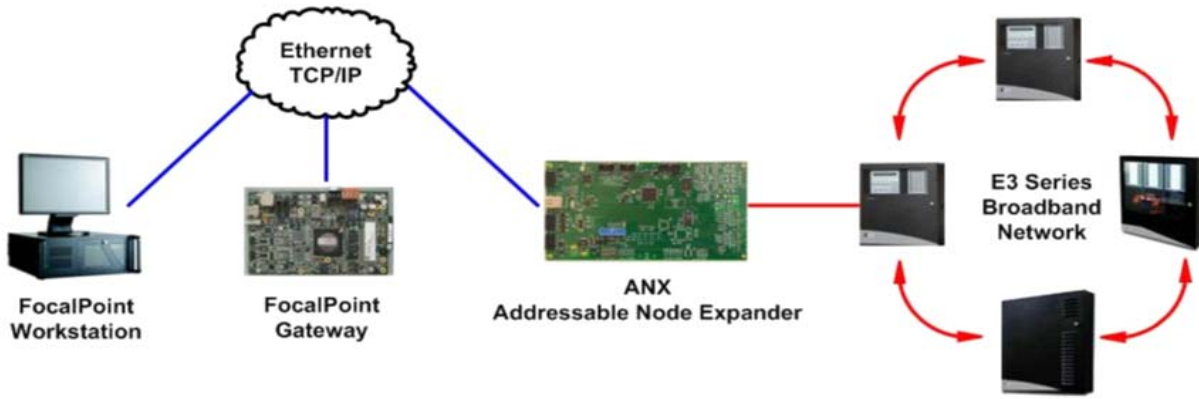


Figure 3 FocalPoint Workstation using the IP-based Addressable Node Expander (ANX) for the E3 Series Networks

### FocalPoint Graphic Workstation Screens

The FocalPoint Graphic Workstation provides the following types of graphic displays. Figures 3 and 4 illustrate the screens.

- FocalPoint Graphic screen.
- FocalPoint text mode screen.
- Displays system layout from CAD floor plan drawings.

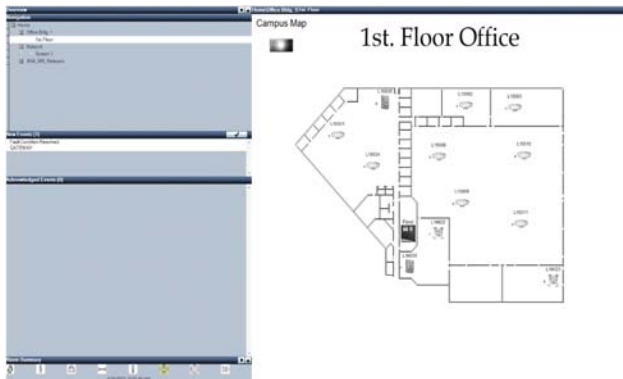


Figure 4 FocalPoint Graphic Screen



Figure 5 FocalPoint Text Mode

### Specifications

#### CPU

**Dimensions:** 19" W x 7" H x 17.7" D  
(48.3 x 17.8 x 45 cm)  
weight: 39 lbs. (17.7 kg)

#### CPU

**Electrical:** AC Input:  
(frequency 50/60 Hz),  
7.0 A @ 115 V (95-132 V),  
4.0 @ 230 V (185-264 V)

#### Monitor

**Dimensions:** 19" (48 cm) flat-screen LCD color monitor  
16.5" W x 17.2" H x 7.8" D  
(42 x 44 x 20 cm)  
weight: 15.6 lbs. (7 kg)

#### Monitor

**Electrical:** AC Input:  
(frequency 50/60 Hz auto-adjust)  
1.8 A @ 120 - 240 VAC. Power  
consumption: 43 watts (maximum)

**Gateway Cabinet** 13.25" W x 10" H x 3" D

**Dimensions:** (33.6 W x 25 H x 3.6 D cm)

#### Gateway

**Electrical:** 24 VDC input 450 mA @ +24 VDC

### Ordering Information

#### Part Number Description

**FPT-GATE-3** FocalPoint Gateway includes gateway, surge suppressor (PNET-1), cables and cabinet.

**FPT-WKS** FocalPoint graphical user interface software for network annunciation. Workstation UL Listed PC included. (UL Version).

**FPT** FocalPoint graphical user interface software for network annunciation. Workstation PC not included. (non-UL Version).

**ANX-SR** Addressable Node Expander-Single Ring.

**ANX-MR-FO** Addressable Node Expander-Multi-Ring Twisted-Pair.

**ANX-MR-UTP** Addressable Node Expander-Multi-Ring Fiber-Optic.