



THOMPSON MEAT MACHINERY

Thompson 350 Bandsaw

MACHINE IN COMPLIANCE WITH
AUSTRALIAN STANDARDS AND
REGULATIONS

ON/OFF AND EMERGENCY STOP
CONTROL AT OPERATORS EYE LEVEL

REMOVABLE BLADE GUARD

TABLE OPTIONS:

- FIXED TABLE (STANDARD)
- FIXED TABLE WITH
FOLD DOWN SLIDING TABLE
- SLIDING TABLE
- REMOVABLE FIXED TABLE

*PICTURED WITH OPTIONAL
SLIDING TABLE AND
FINE ADJUSTMENT MEAT
THICKNESS GUIDE*

ADJUSTABLE FEET



STAINLESS STEEL

FLYWHEELS

PRECISION BALANCED ENSURING
SMOOTH OPERATION

1600 M/MIN BLADE SPEED

1.5KW BRAKE MOTOR

SAFETY INTERLOCKED
DOOR SENSORS

HIGH CLEARANCE FROM
FLOOR

ALLOWING TO CLEAN UNDER
WITH EASE

LARGE STAINLESS STEEL
BONE DUST BIN

WITH LIMIT SWITCH

“THOMPSON TOUGH”

LEADING MANUFACTURERS OF MEAT PROCESSING MACHINERY

THOMPSON 350 BANDSAW

The **THOMPSON 350 BANDSAW** is designed to offer **RELIABLE SMOOTH CUTTING OPERATION** delivered by a **DIRECT DRIVE MOTOR SYSTEM**.

The Thompson 350 Bandsaw is constructed from **HIGH QUALITY STAINLESS STEEL** and offers **SUPERIOR LOW MAINTENANCE** operation suitable for all environments including industrial processing plants, supermarkets and butcher shops. It is designed to suit environment where **SPACE IS AT A PREMIUM**.

SAFETY - A PRIORITY NOT A COMPROMISE

The Thompson 350 Bandsaw offers **SAFETY FEATURES** that maximise safety to the operator and other persons in close vicinity. **LIMIT SWITCHES** are fitted on doors and bone dust bin.

FEATURES OF THE THOMPSON 350 BANDSAW

- High Quality Stainless Steel Industrial Bandsaw
- Precision Balanced - Stainless Steel Flywheels
- Safety Flanged Flywheels
- 1.5 kW Brake Motor
- 1600 m/min Blade Speed
- Safety Interlocked Door Sensors
- Stainless Steel Scraper Blades & Guides
- Retractable Blade Guard
- Removable Dust Collection Box
- Adjustable Cutting Fence Guide
- Direct Drive Operation
- Automatic Blade Tensioning
- Simple and Quick Disassembly of Machine for Cleaning
- Adjustable Feet



FIXED TABLE (STANDARD)

FIXED TABLE WITH FOLD DOWN SLIDING TABLE

SLIDING TABLE

PERFORMANCE

The blade speed and efficient design of the Thompson 350 Bandsaw significantly improves the cutting action.

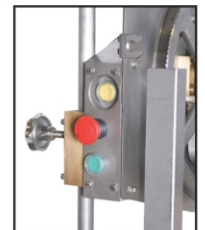
- Cleaner cut product.
- Portion cutting is straight and accurate.
- Blade does not wander.

THOMPSON 350 BANDSAW SPECIFICATIONS:

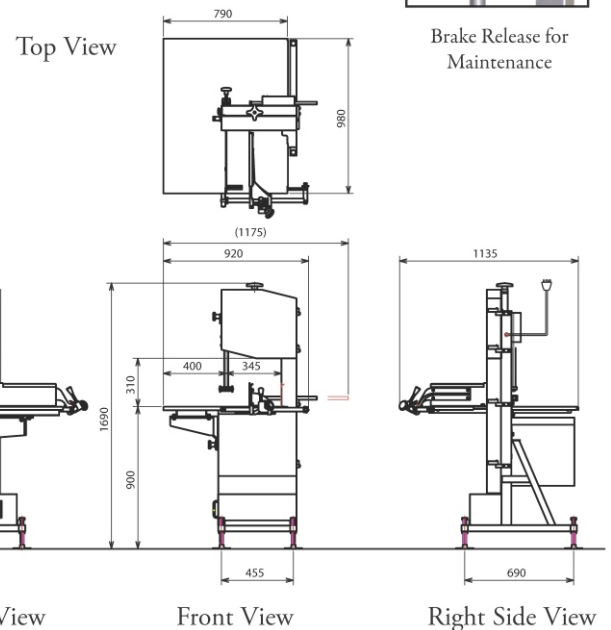
Dimensions	
Overall Height	1690 mm
Table Height	900mm
Cutting Height	320 mm
Floor Area (Door Closed)	950mm x 980mm
Cutting Table Dimension	980mm x 790mm
Cutting Throat Height	310mm
Cutting Throat Width	345mm
Power	
Motor Data	1.5kW, 415V, 3.7Amp, 50Hz
Recommended Power Supply	10Amp D Curve Circuit Breaker
Blade	
Blade Length	2580mm
Blade Width	16mm
Blade Speed	1600m/min
Drive	1.5 kW (2 hp)
Shipping Dimension	
Shipping Weight	150kg
Shipping Size	1090mm x 1060mm x 1970mm (L x W x H)

TABLE OPTIONS:

- Fixed Table (Standard)
- Fixed Table with Fold Down Sliding Table
- Sliding Table
- Removable Fixed Table



Brake Release for Maintenance



Manufactured in accordance with Australian Standards and Regulations



Delivering quality at the right price

Dussen Pty Ltd
Unit 3/70 Andrew Street Wynnum, Qld Australia 4178

Phone: (+61) 7 3393 6552 Fax: (+61) 7 3393 6352
Email: sales@dussen.com.au Website: www.dussen.com.au