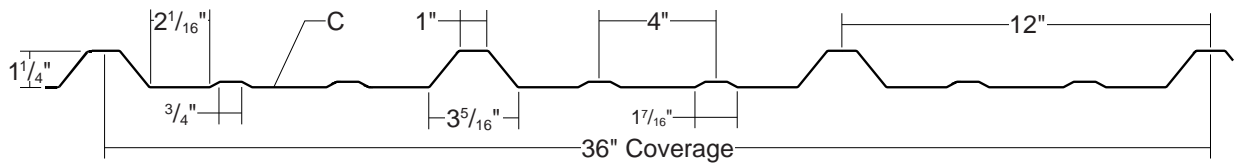


PBR-PANEL

CONDENSED
TECHNICAL
REFERENCE



COMMERCIAL
INDUSTRIAL
PANEL

DIRECT
FASTEN

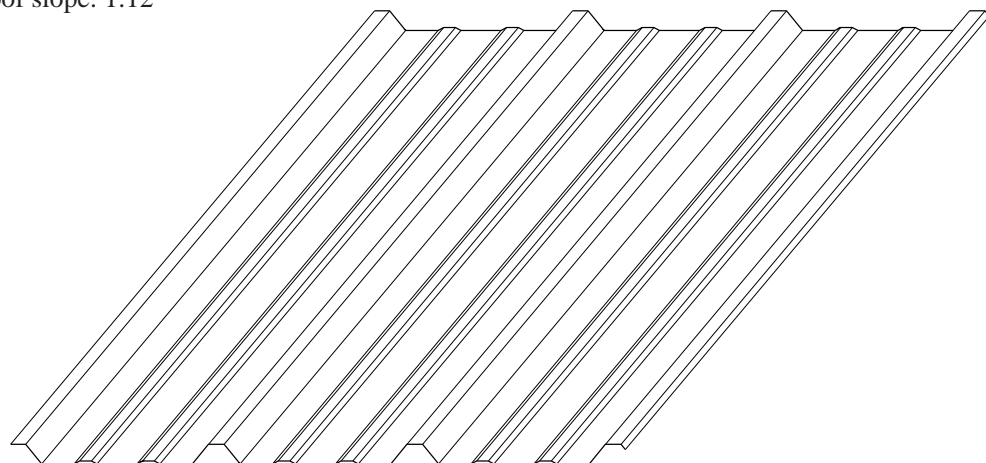
36"
COVERAGE

MINIMUM
SLOPE
1:12

OPEN FRAMING OR
SOLID SUBSTRATE

PANEL OVERVIEW

- ▶ Finishes: Kynar 500 (PVDF), MS Colorfast45®, and Acrylic Coated Galvalume®
- ▶ Gauges: 26ga and 24ga standard, 22ga optional
- ▶ 36" panel coverage, 1 1/4" rib height
- ▶ Applies over open framing or solid substrate
- ▶ Exposed fastened metal building panel
- ▶ Trapezoidal rib on 12" centers
- ▶ Minimum roof slope: 1:12



TESTING

- ▶ UL 2218, Class 4 Impact Resistance
- ▶ UL 790, Class A Fire Resistance Rating
- ▶ Florida Building Code Approved 7490.3, 9482.3
- ▶ UL 580, Class 90 Wind Uplift Construction #161
- ▶ Miami-Dade County Approved Roof: 03-1210.03 Wall: 03-0430.08

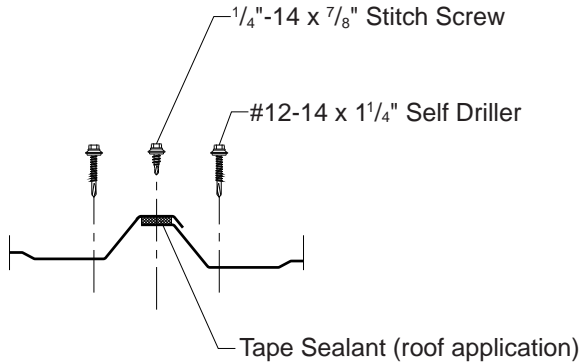
metal sales
manufacturing corporation



PBR-PANEL

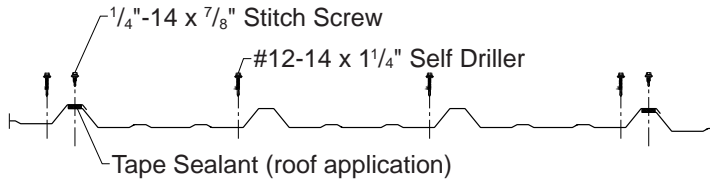
CONDENSED TECHNICAL REFERENCE

ATTACHMENT DETAIL

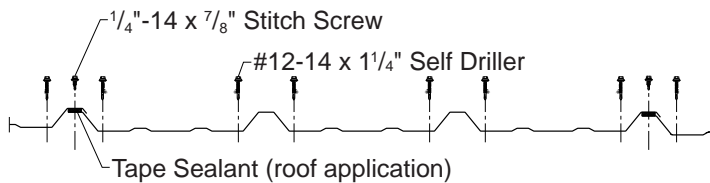


FASTENING PATTERNS

Field of Panel



Ends of Panel



GENERAL INFORMATION

► Slope

The minimum recommended slope for PBR-Panel is 1:12. Metal Sales recommends that in all roof applications, sealants be used on all sidelaps with stitch screw 1'-0" on center.

► Substructure

PBR-Panel is designed to be utilized over open structural framing, but can easily be used with a solid substrate. To avoid panel distortion, use a properly aligned and uniform substructure.

► Coverage

PBR-Panels are available in a 1/4" rib height with a coverage width of 36".

► Length

Minimum factory cut length is 5'-0". Maximum recommended panel length is 45'-0". Longer panels require additional consideration in packaging, shipping, and erection. Please consult Metal Sales for recommendations.

► Fasteners

The fastener selection guide should be consulted for choosing the proper fastener for specific applications. Quantity and type of fastener must meet necessary loading and code requirements.

NOTE: All panels are subject to surface distortion due to improperly applied fasteners. Overdriven fasteners will cause stress and induce oil canning across the face of the panel at or near the point of attachment.

► Availability

Finishes: Acrylic Coated Galvalume®, MS Colorfast45®, or various Kynar 500 (PVDF) colors.

Gauges: 26ga and 24ga standard, 22ga optional

SECTION PROPERTIES

ALLOWABLE UNIFORM LIVE LOADS PSF (3 or More Equal Spans)

Ga.	Width (in.)	Yield KSI	Weight PSF	Top in Compression		Bottom in Compression		Inward (Gravity / Deflection) Load						Outward Uplift (Stress) Load					
				Ixx In ⁴ /ft	Sxx In ³ /ft	Ixx In ⁴ /ft	Sxx In ³ /ft	2'	3'	4'	5'	6'	7'	2'	3'	4'	5'	6'	7'
26	36"	80	0.91	0.0360	0.0358	0.0313	0.0452	256	127	74	49	34	23	217	104	60	39	27	20
24	36"	50	1.17	0.0560	0.0578	0.0457	0.0613	330	153	88	57	39	29	314	145	83	53	37	27
22	36"	50	1.51	0.0800	0.0856	0.0633	0.0813	451	206	117	75	52	39	472	217	123	79	55	40

- Theoretical section properties have been calculated per AISI 2001 "Specification for the Design of Cold-formed Steel Structural Members." Ixx and Sxx are effective section properties for deflection and bending.
- Allowable load is calculated in accordance with AISI 2001 specifications considering bending, shear, combined bending and shear, deflection, and applicable testing when available. Allowable load considers the worst case of 3 and 4 equal span conditions. Allowable load does not address web crippling or fasteners/support connection and panel weight is not considered.
- Deflection consideration is limited by a maximum deflection ratio of L/180 of span.
- Allowable loads do not include a 1/3 stress increase in uplift.

metal sales
manufacturing corporation



Kent, WA (800) 431-3470
Temple, TX (800) 543-4415
Longmont, CO (800) 289-7663
Antioch, TN (800) 251-8508
Woodland, CA (800) 759-6019
Rogers, MN (800) 328-9316
Spokane, WA (800) 572-6565

Jefferson, OH (800) 321-5833
Rock Island, IL (800) 747-1206
Sellersburg, IN (800) 999-7777
Jacksonville, FL (800) 394-4419
Orwigsburg, PA (800) 544-2577
Independence, MO (800) 747-0012
Fontana, CA (800) 782-7953

Anchorage, AK (866) 640-7663
Bay City, MI (888) 777-7640
Detroit Lakes, MN (888) 594-1394
Mocksville, NC (800) 228-6119

©MS1280PBR/12-2008