

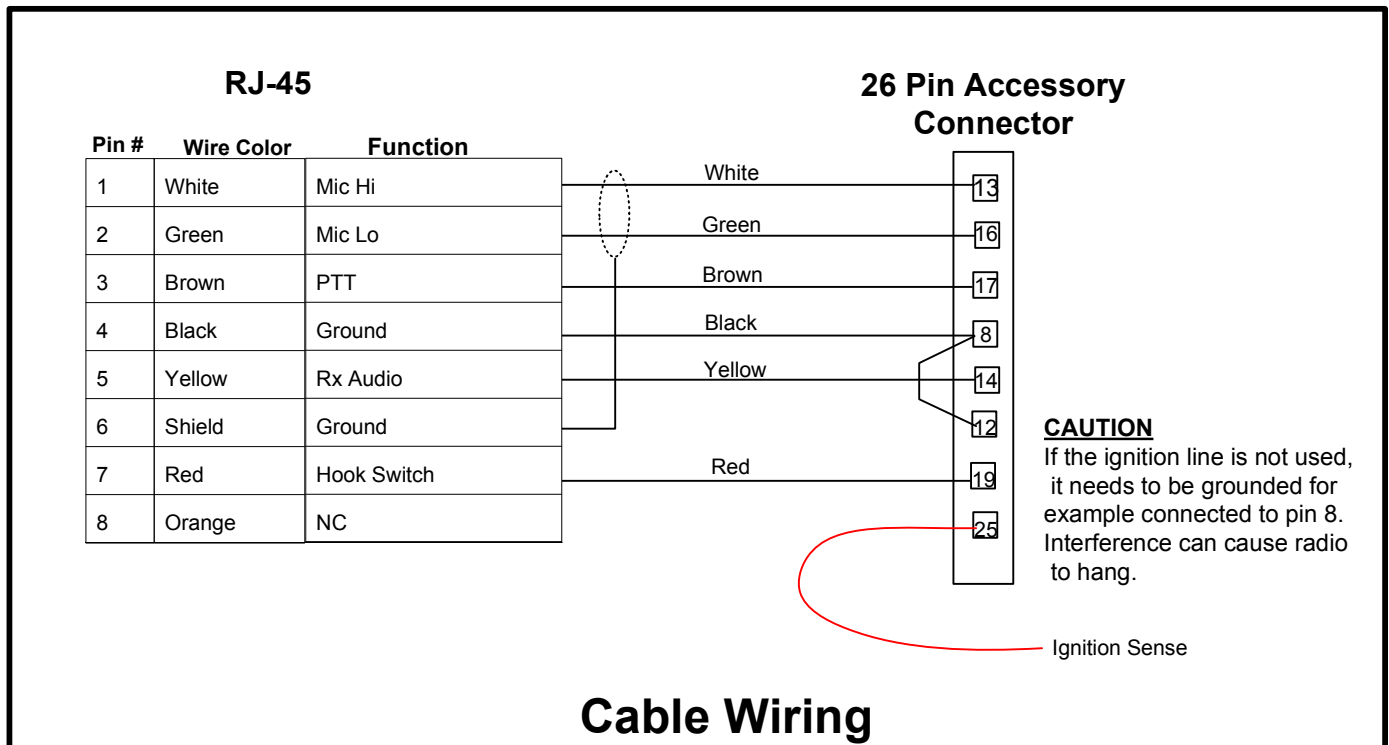
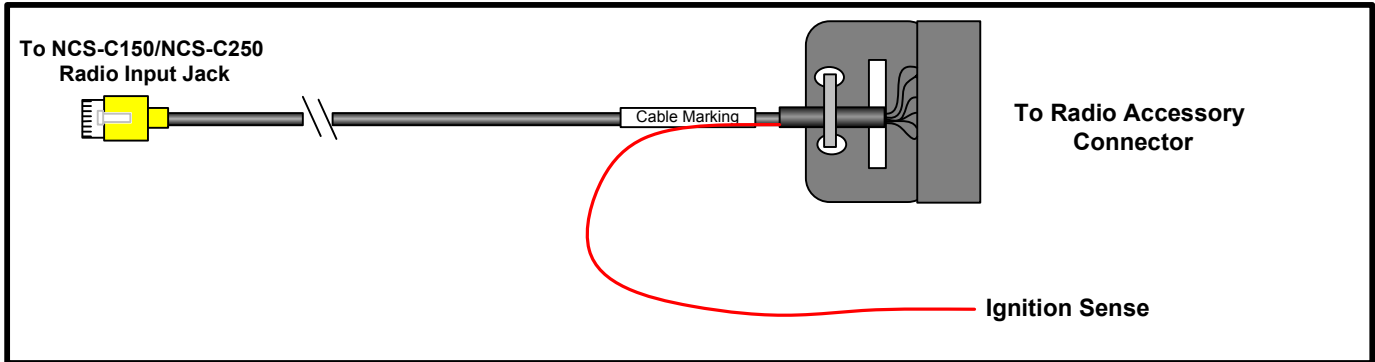
Radio Interface Cable

NCS Model Number

CCI-250-MJA-XX

Compatible Motorola Radios:

MTM5400



Notes:

The following must be programmed in the radio using the Motorola CPS :

1. Program EXT_MIC on pin 13 of the accessory connector.
2. Program Hook Switch on pin 19 (HOOK_PA_EN) of the accessory connector.