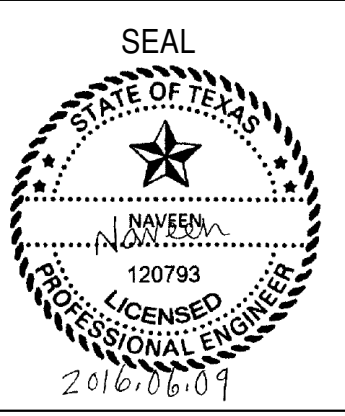
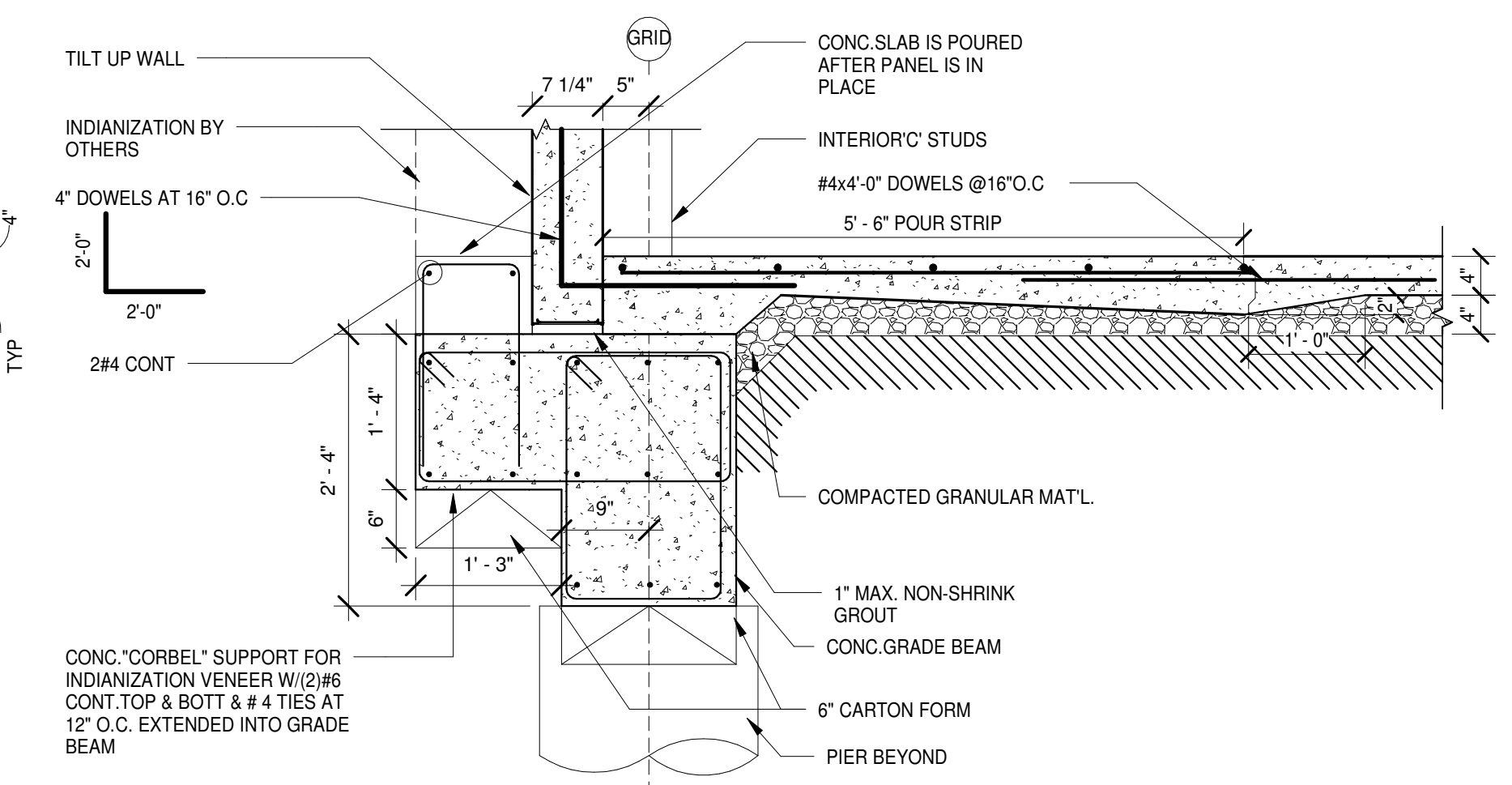


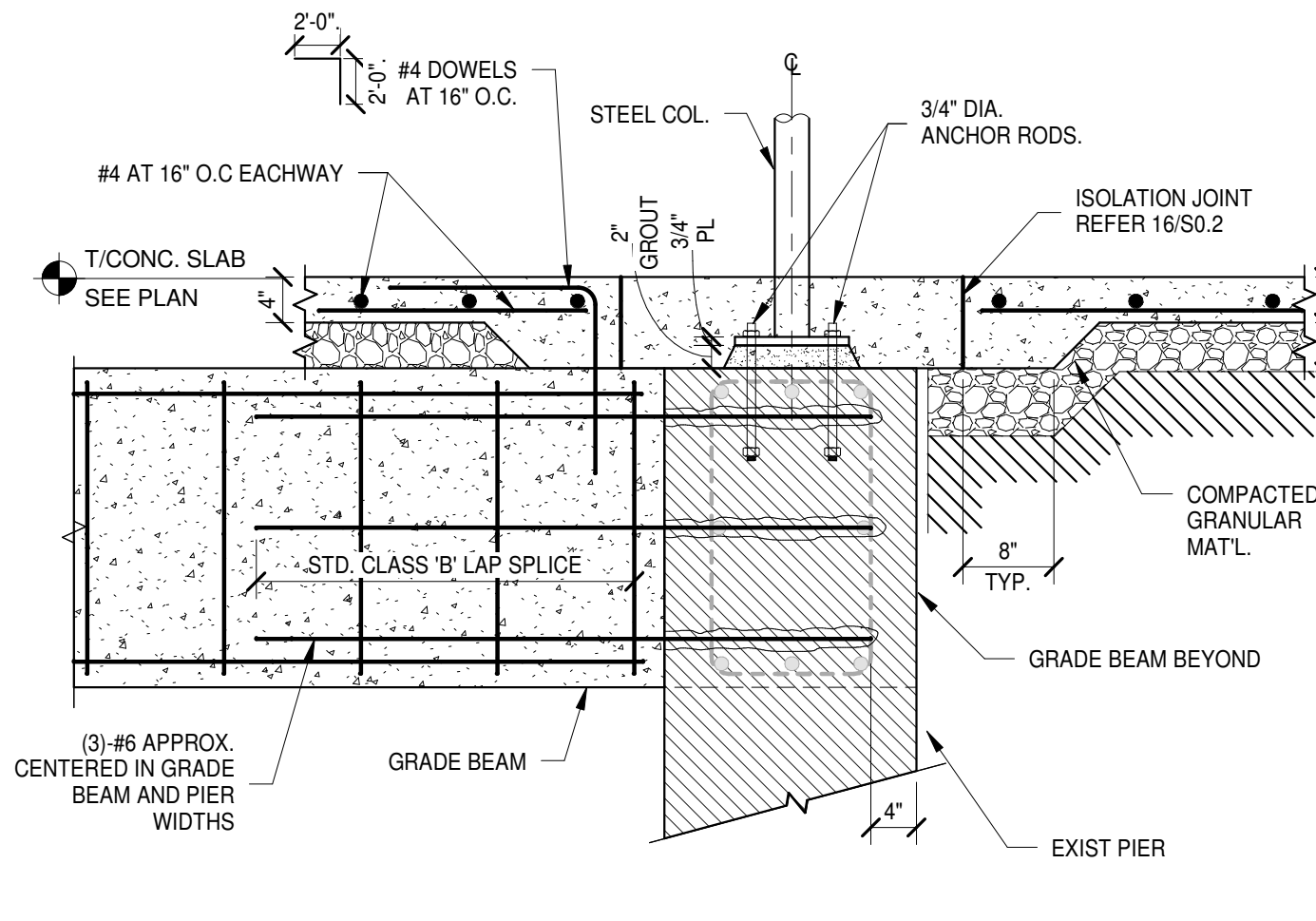
REVISIONS	
ADDENDUM NO. 2	06-09-2016
ADDENDUM NO. 5	11-11-2016



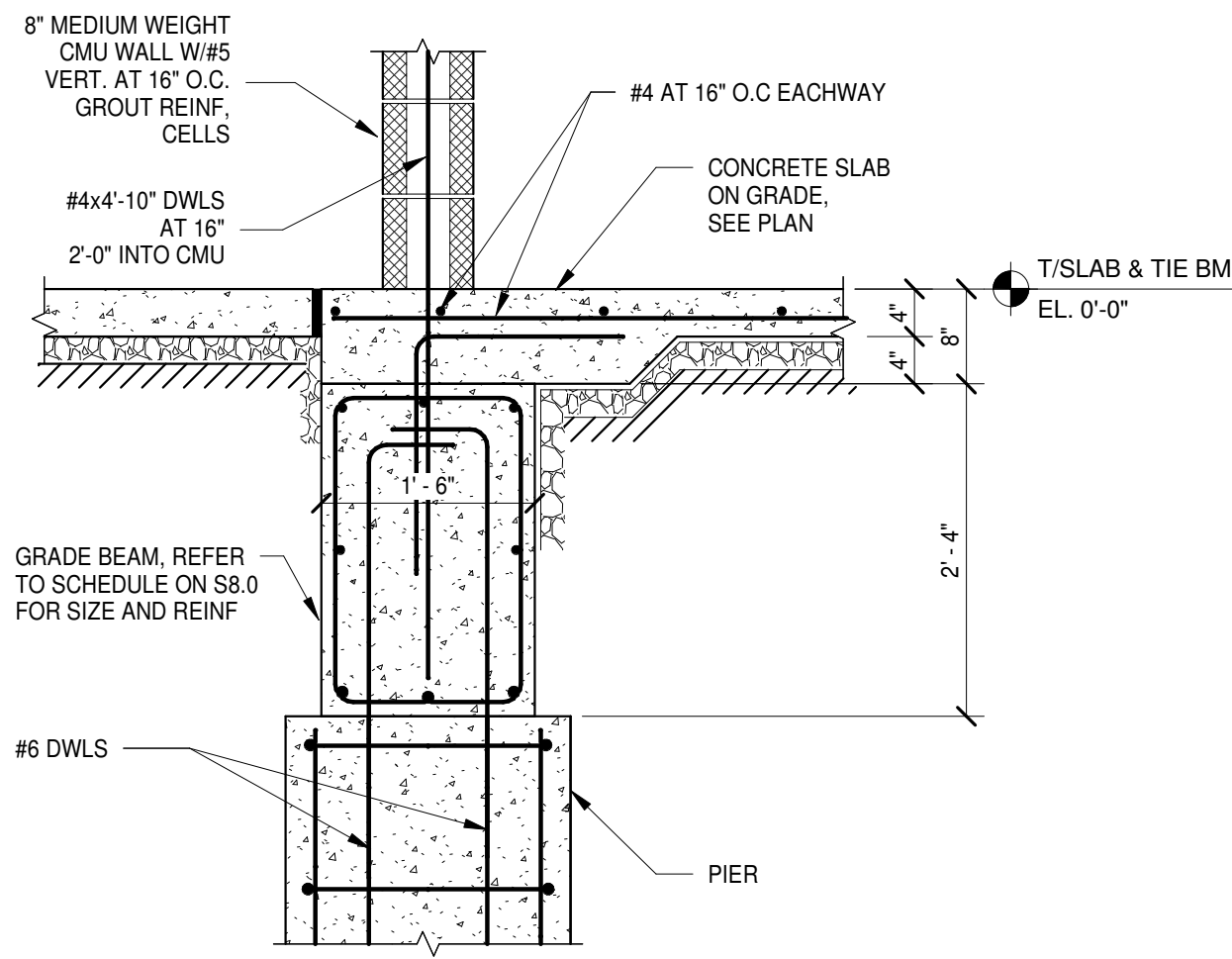
FOUNDATION SECTIONS & DETAILS



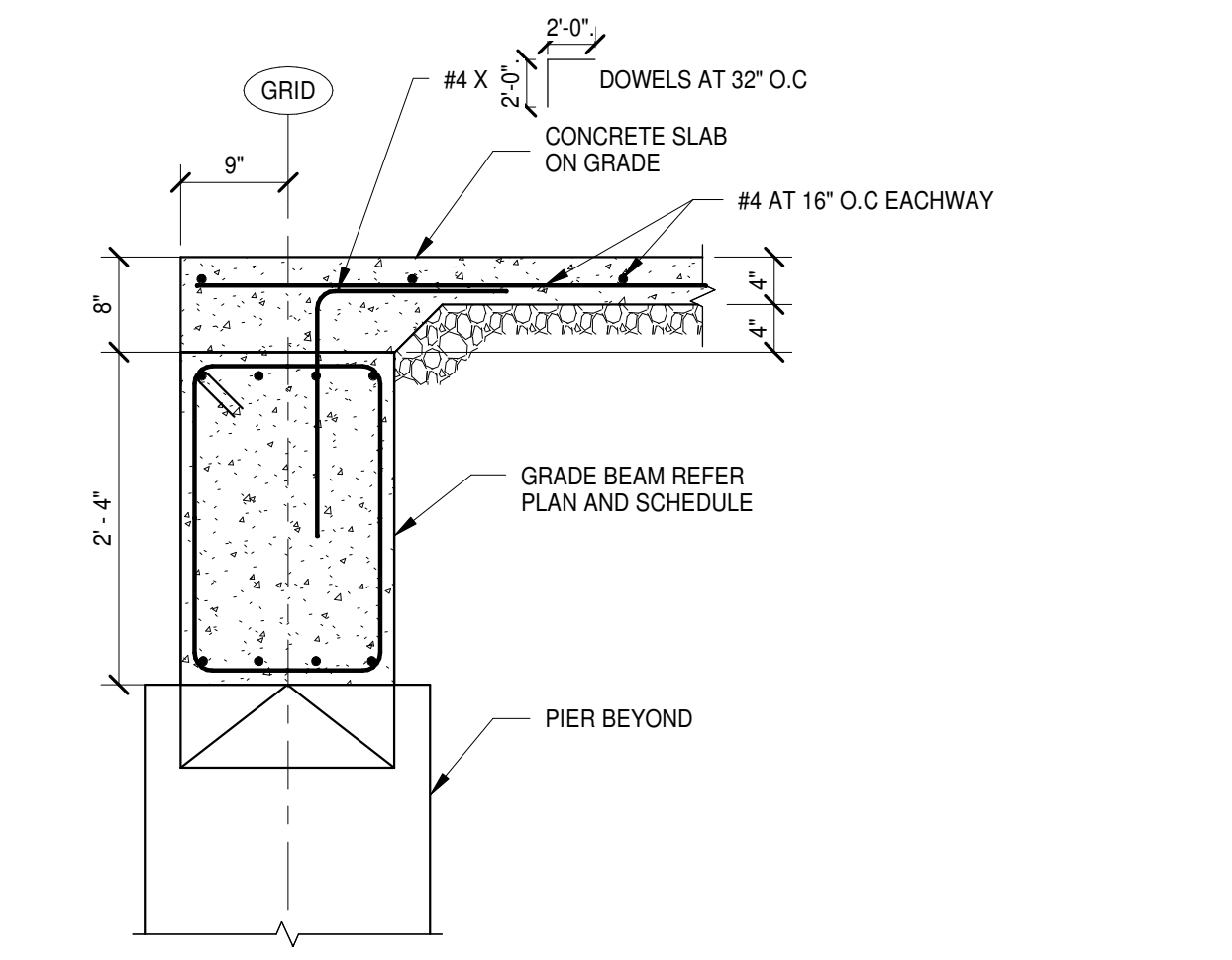
1 TYPICAL GRADE BEAM AND CORBEL DETAILS
S4.0 3/4" = 1'-0"



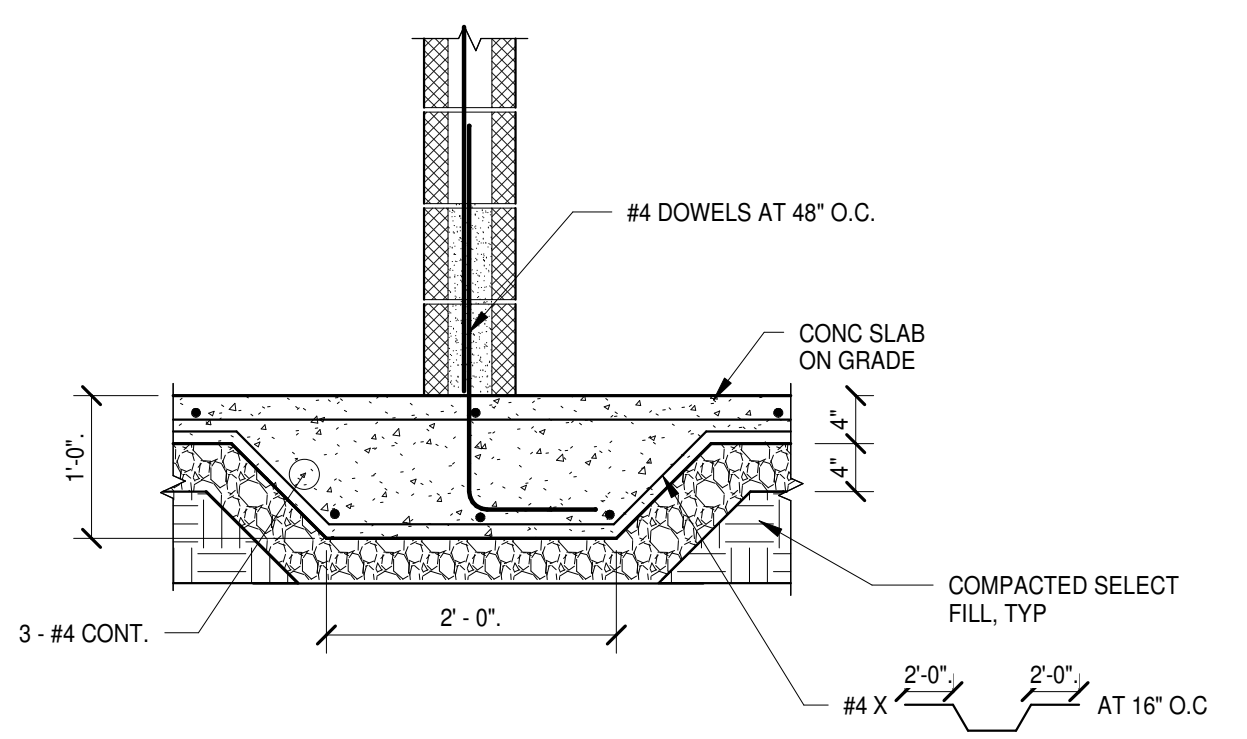
2 INTERIOR COLUMN AND PIER SECTION
S4.0 3/4" = 1'-0"



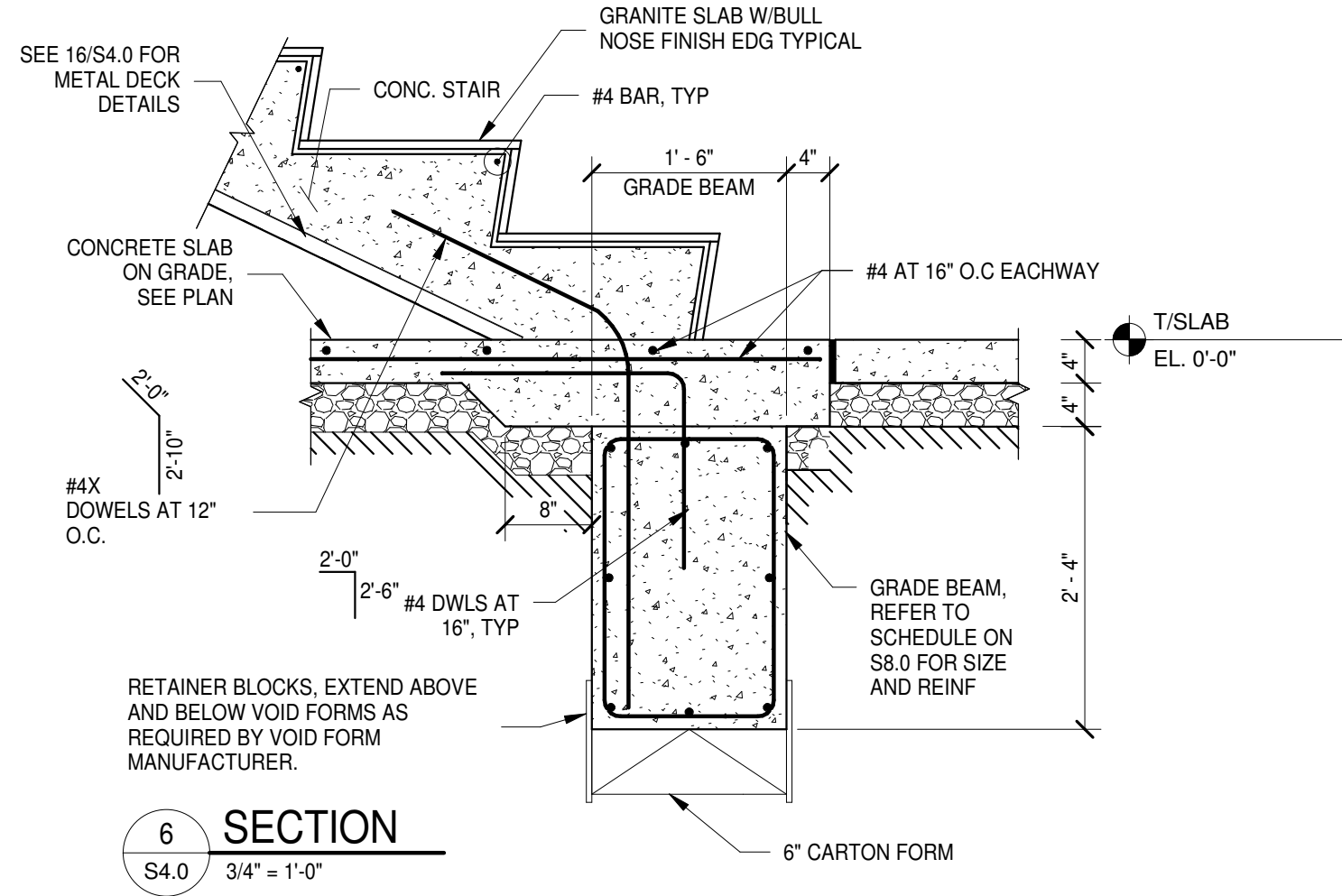
3 SECTION
S4.0 3/4" = 1'-0"



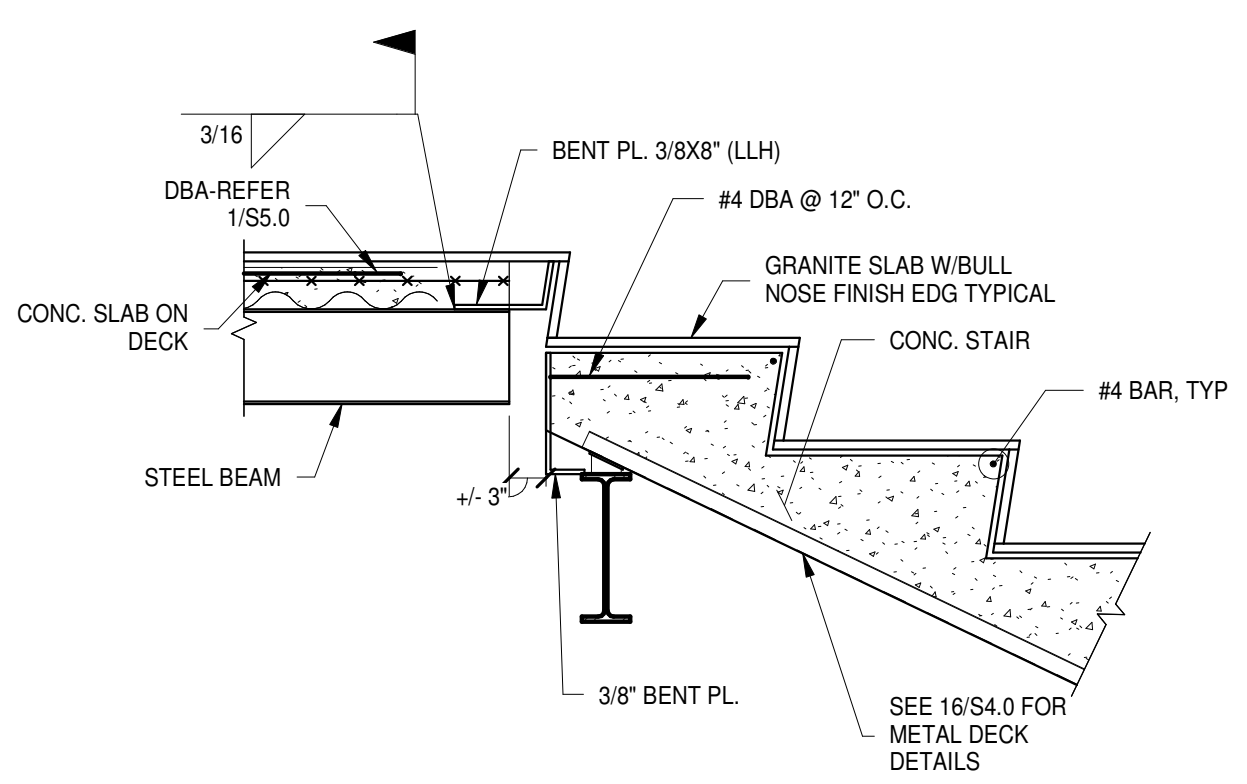
4 SECTION
S4.0 3/4" = 1'-0"



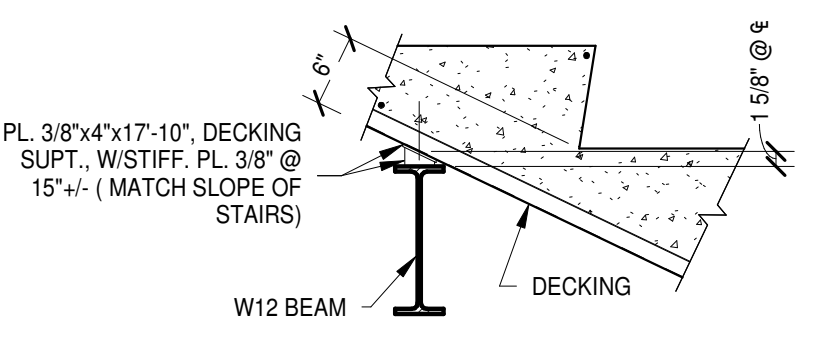
5 MASONRY WALL / FOOTING SECTION
S4.0 3/4" = 1'-0"



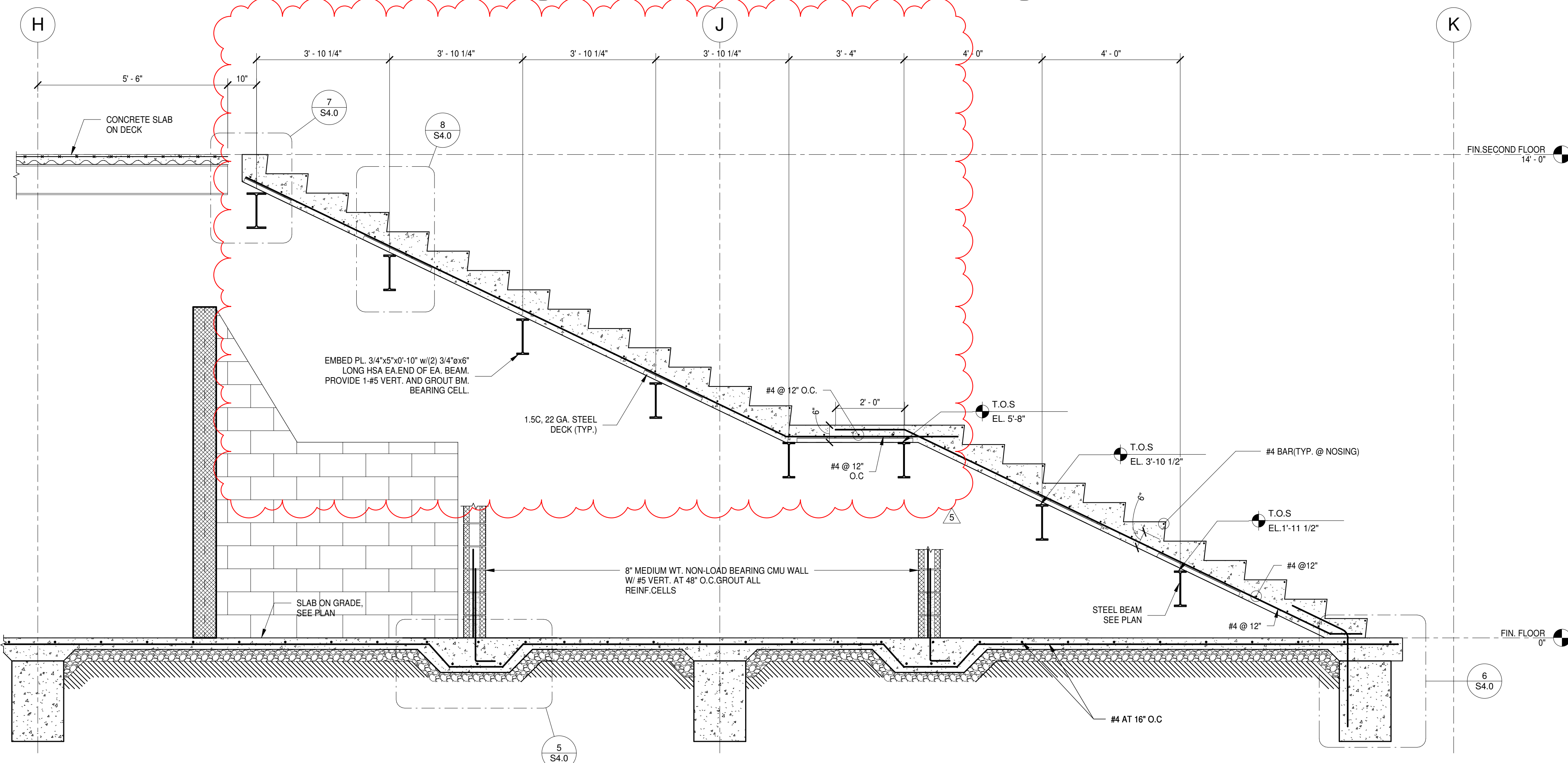
6 SECTION
S4.0 3/4" = 1'-0"



7 STAIR SECTION
S4.0 3/4" = 1'-0"



8 STAIR AT MASONRY WALL
S4.0 3/4" = 1'-0"



16 SECTION AT ENTRY STAIRS
S4.0 1/2" = 1'-0"

11/11/2016 10:38:15 AM T:\Projects\Structural\2016\16BRW015 - RADHA KRISHNA TEMPLE.Rev\16BRW015-Central R15 (RESTLDC).rvt