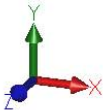
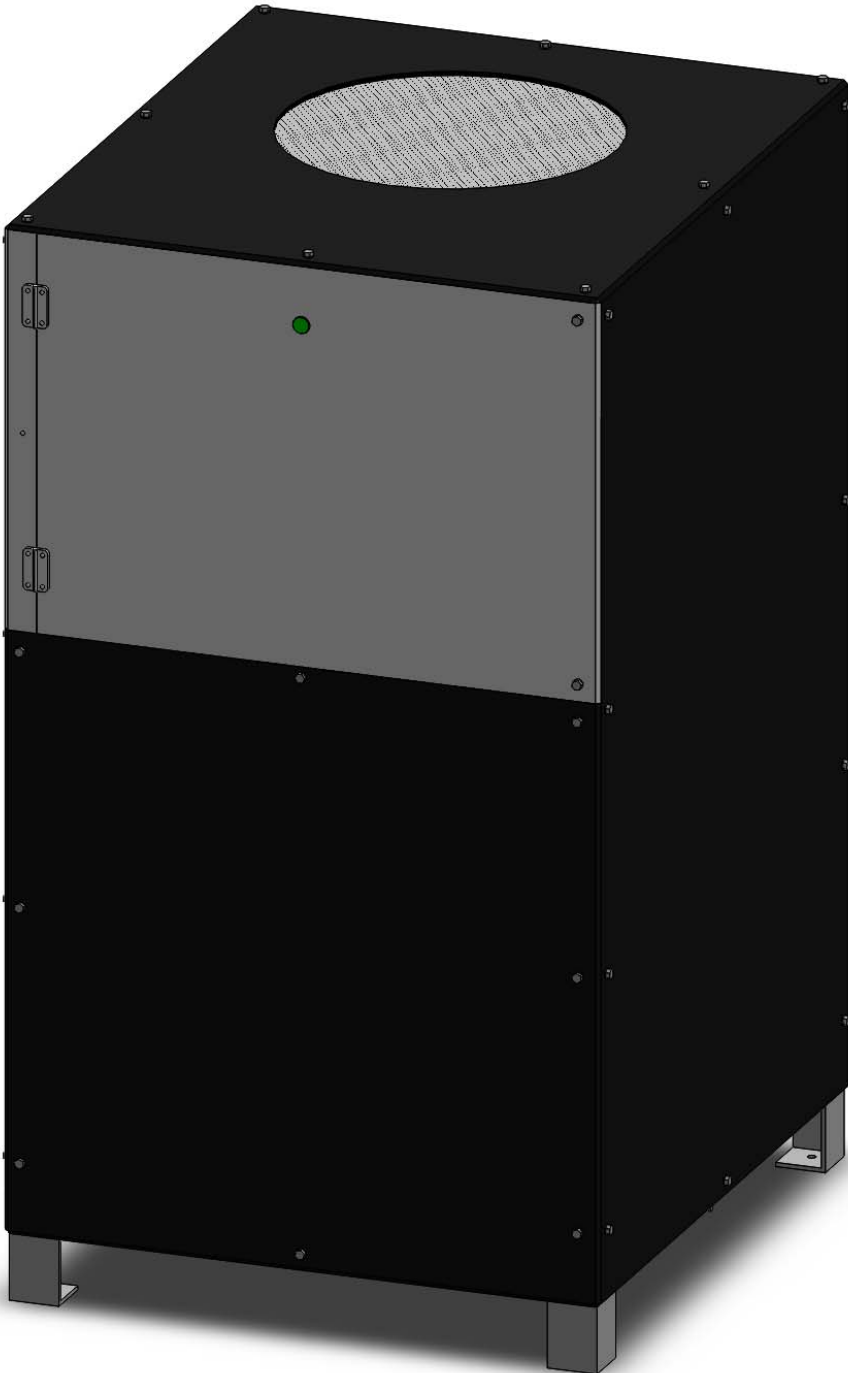
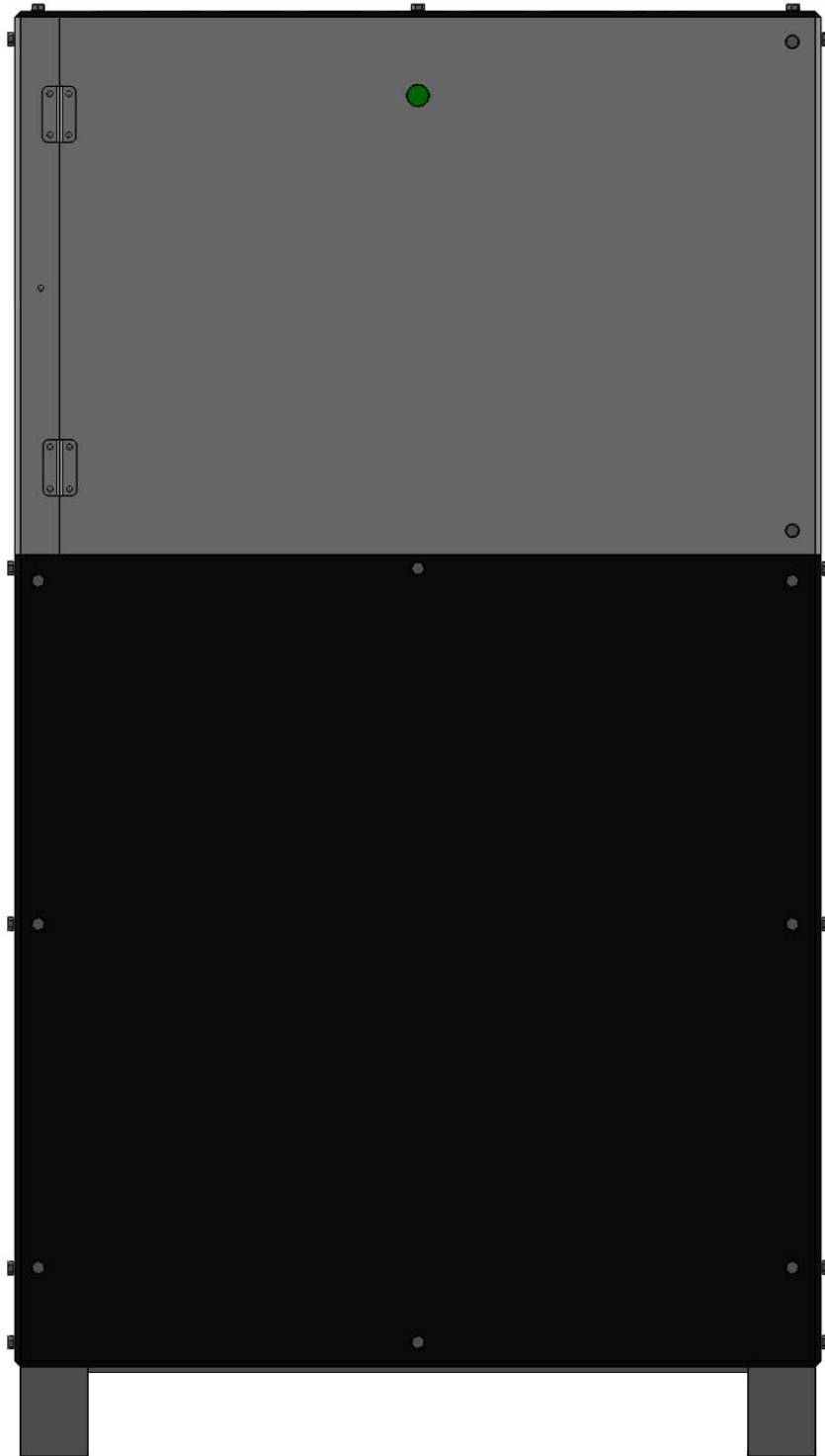


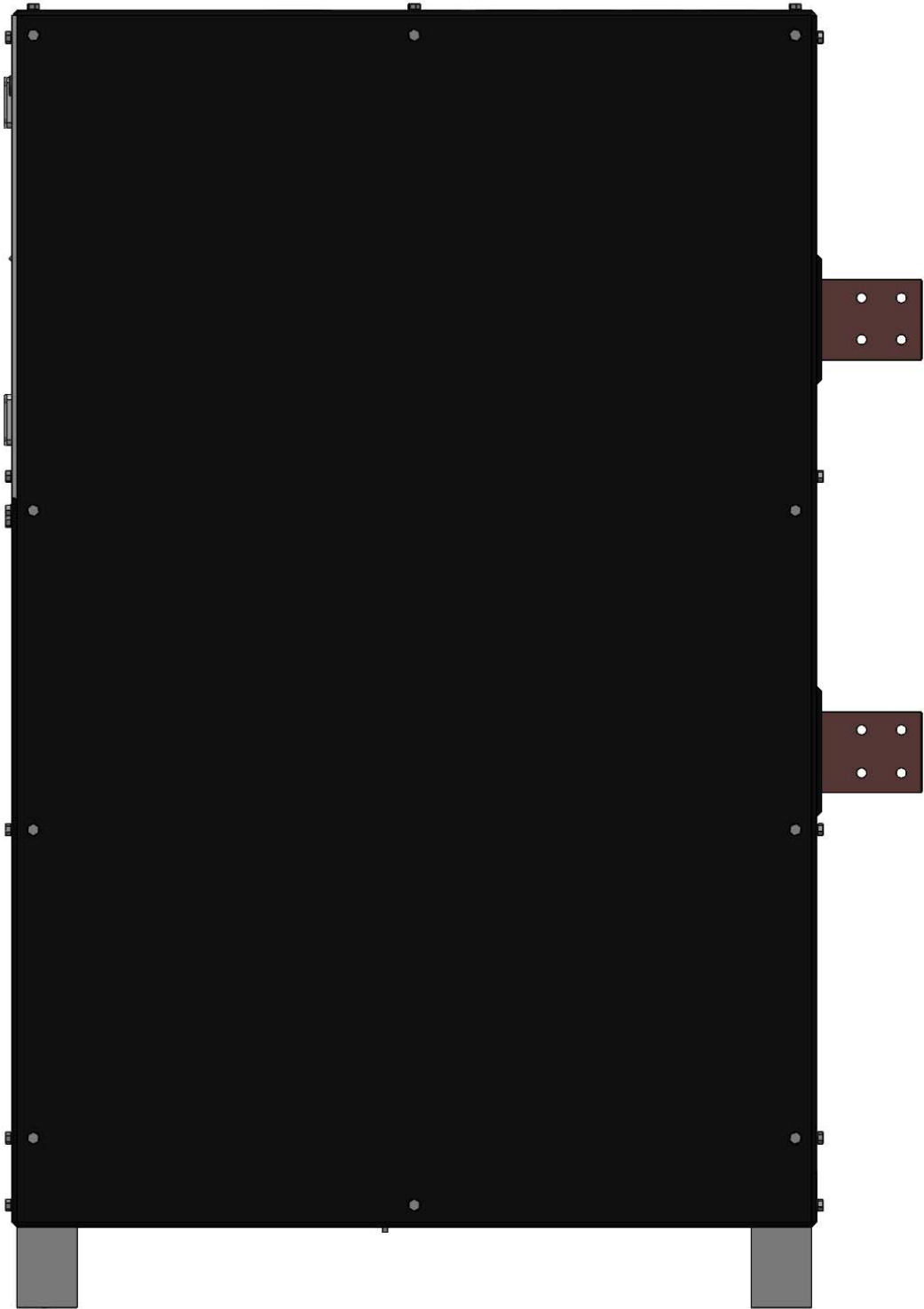
POLY #3 AIR COOLED CABINET



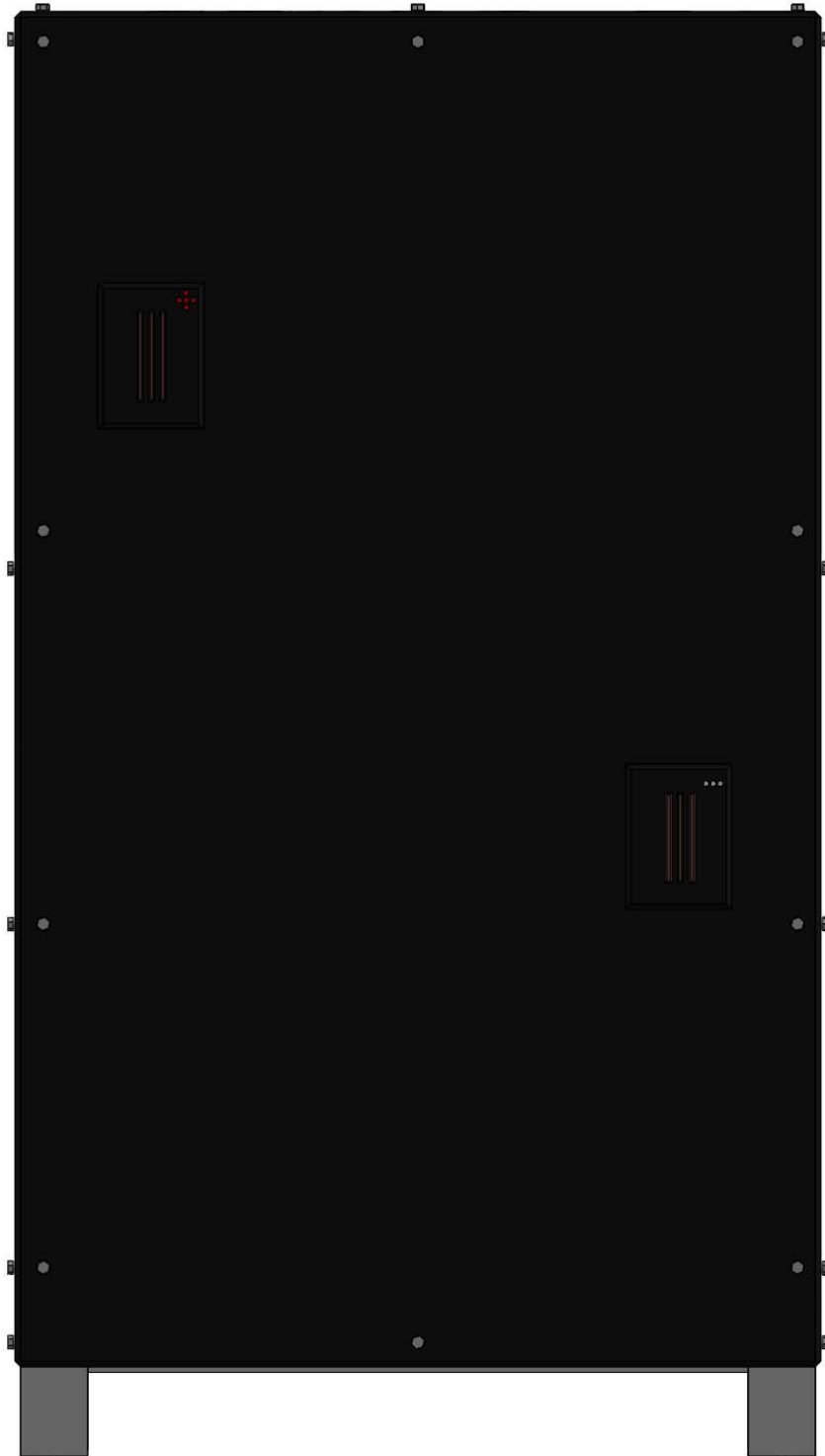
FRONT



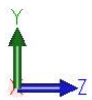
RIGHT



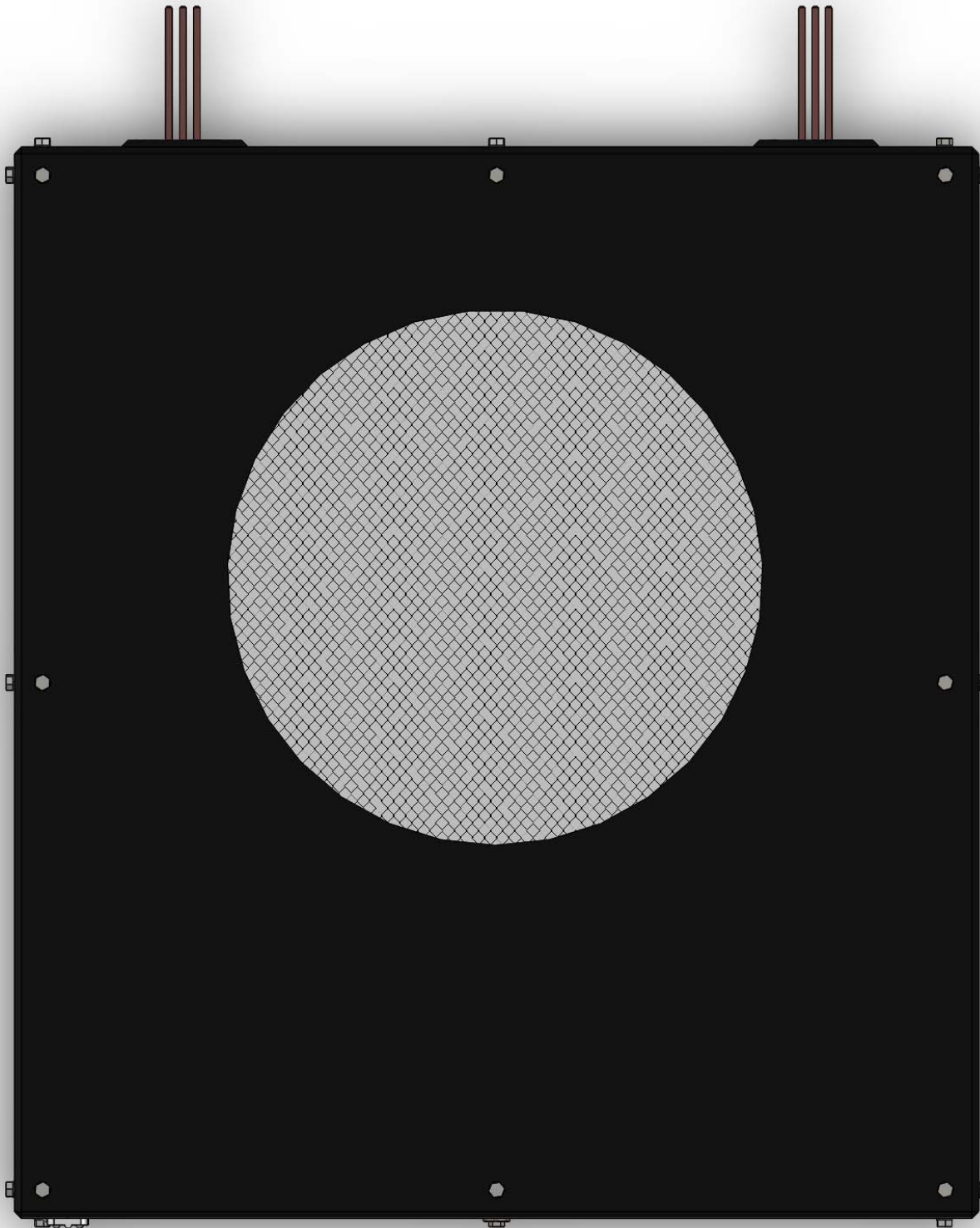
BACK

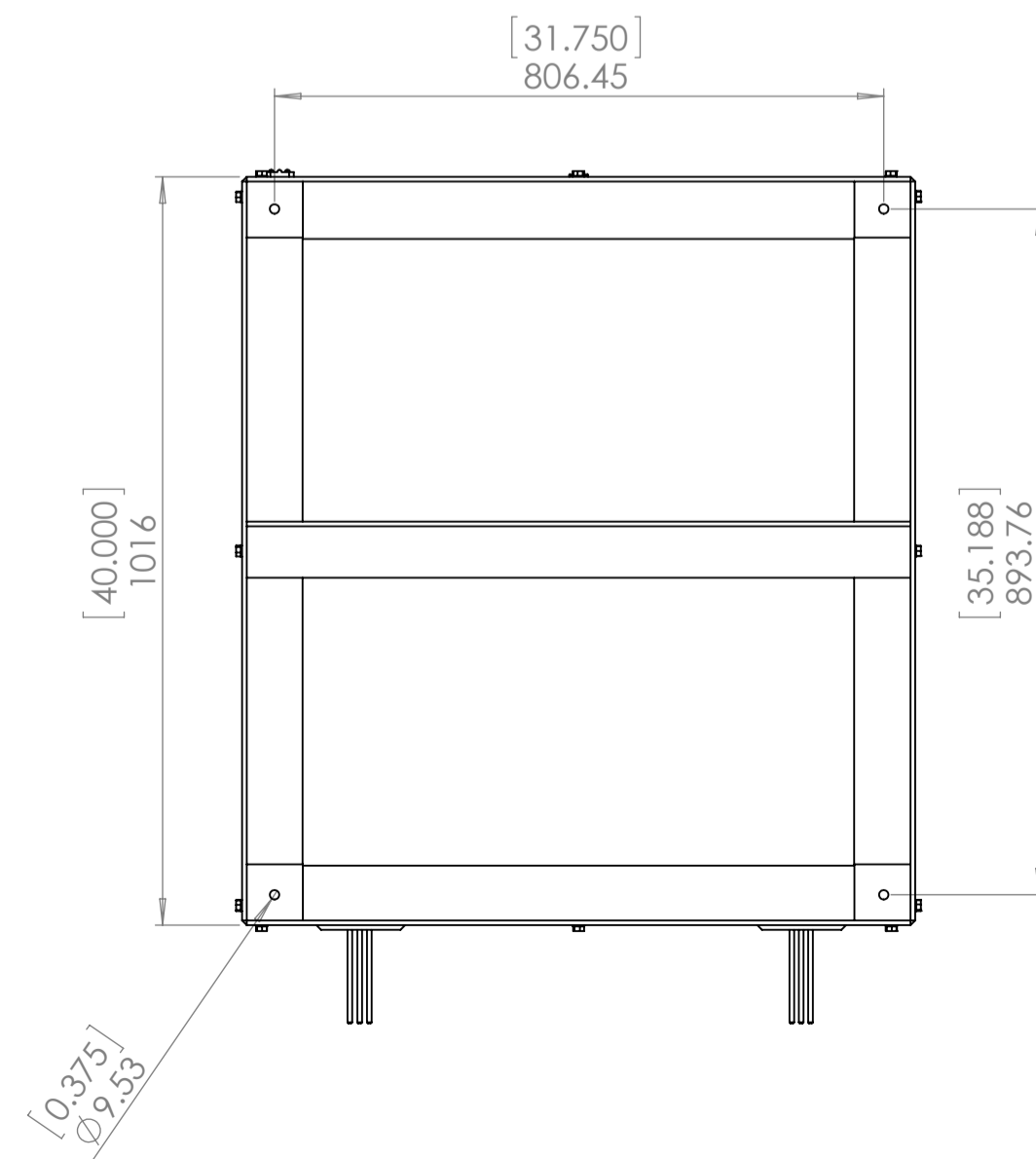
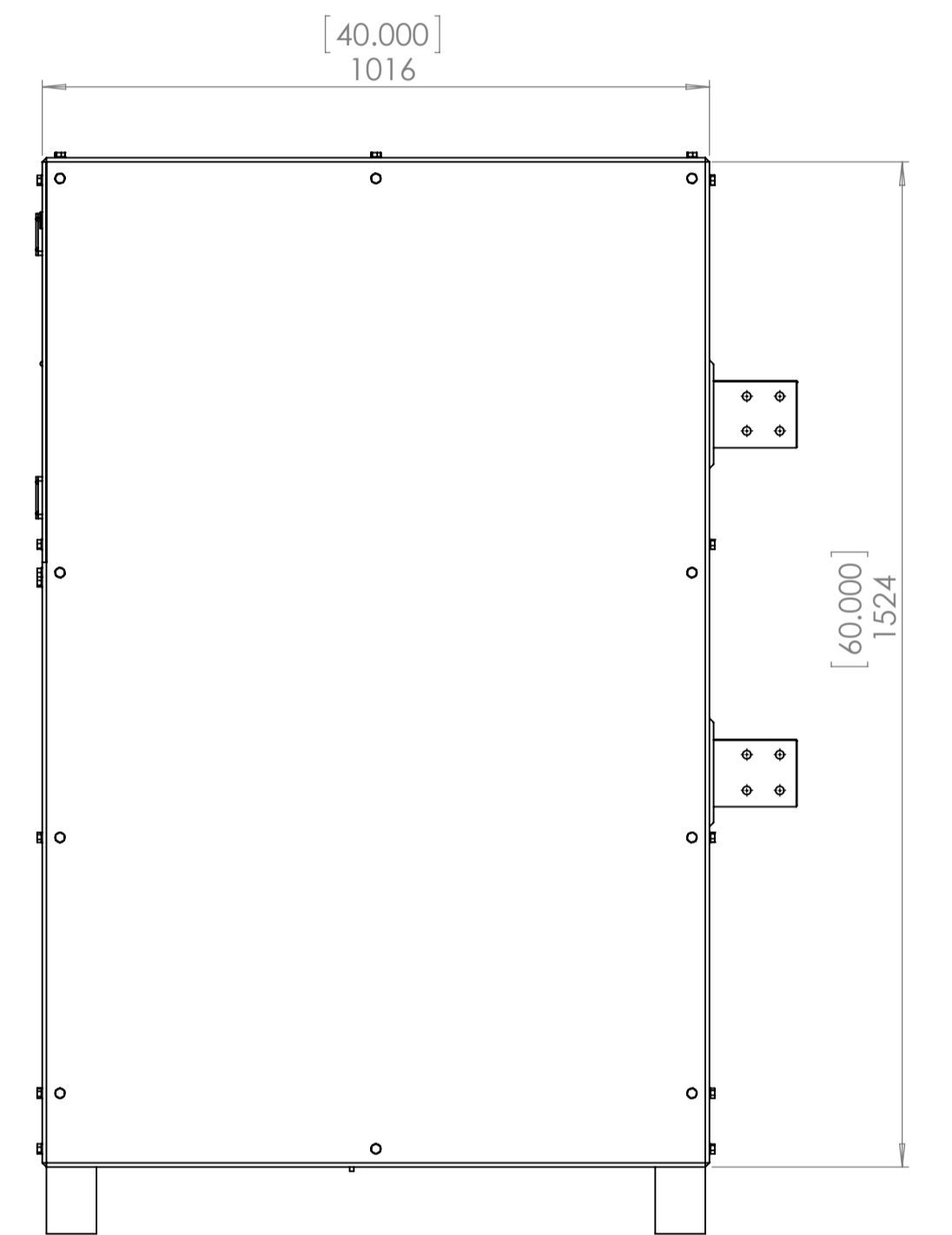
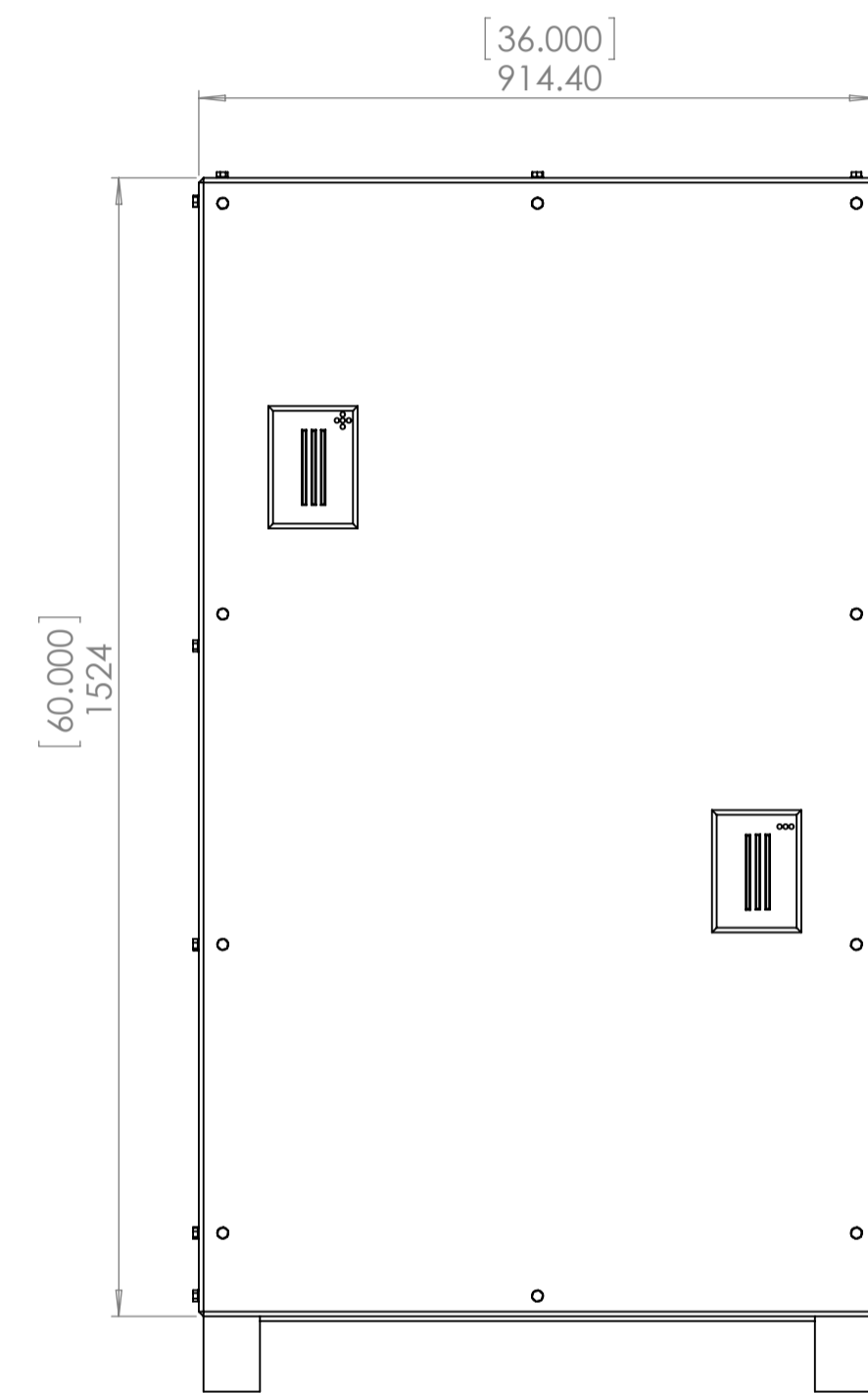
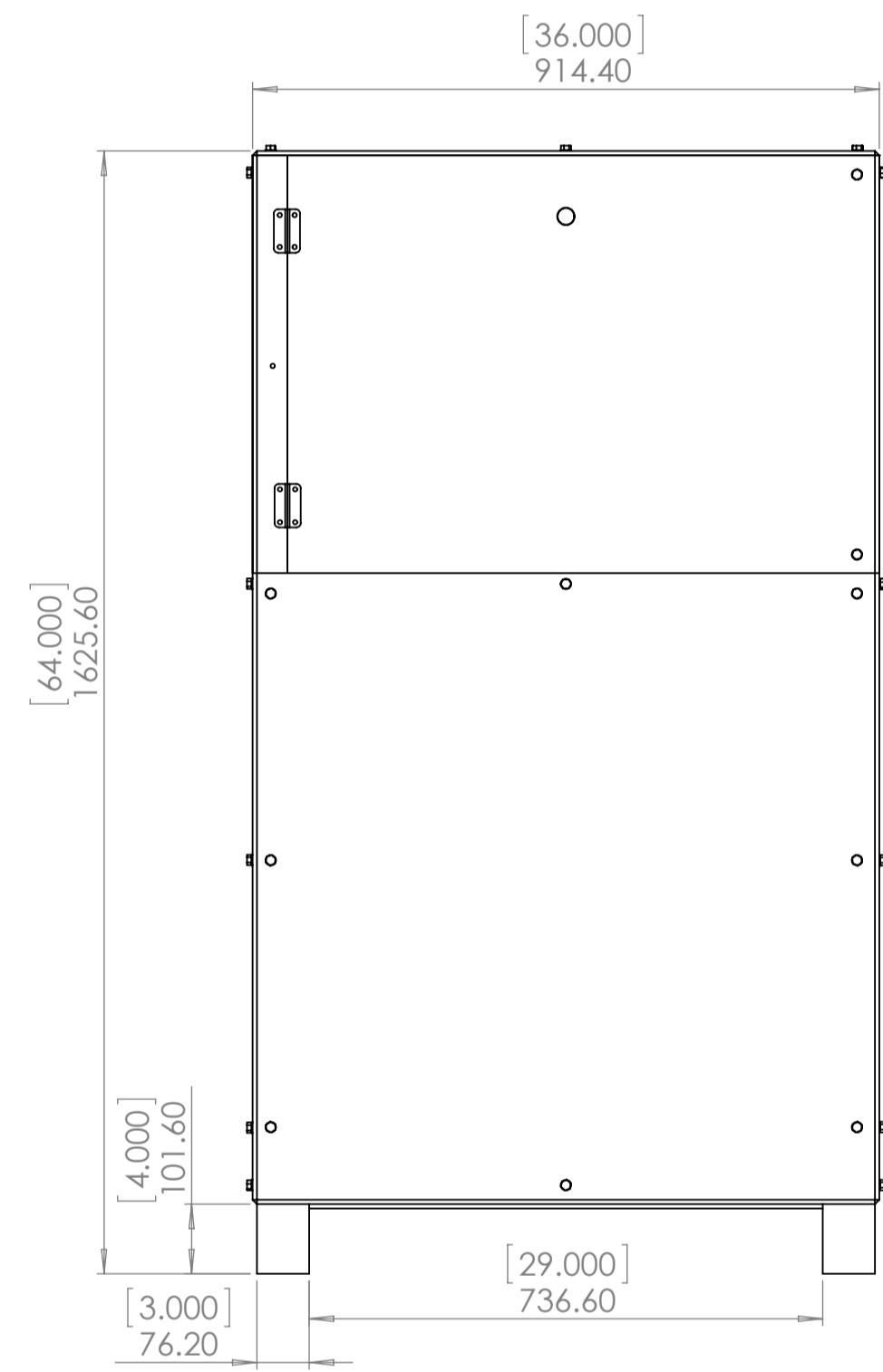
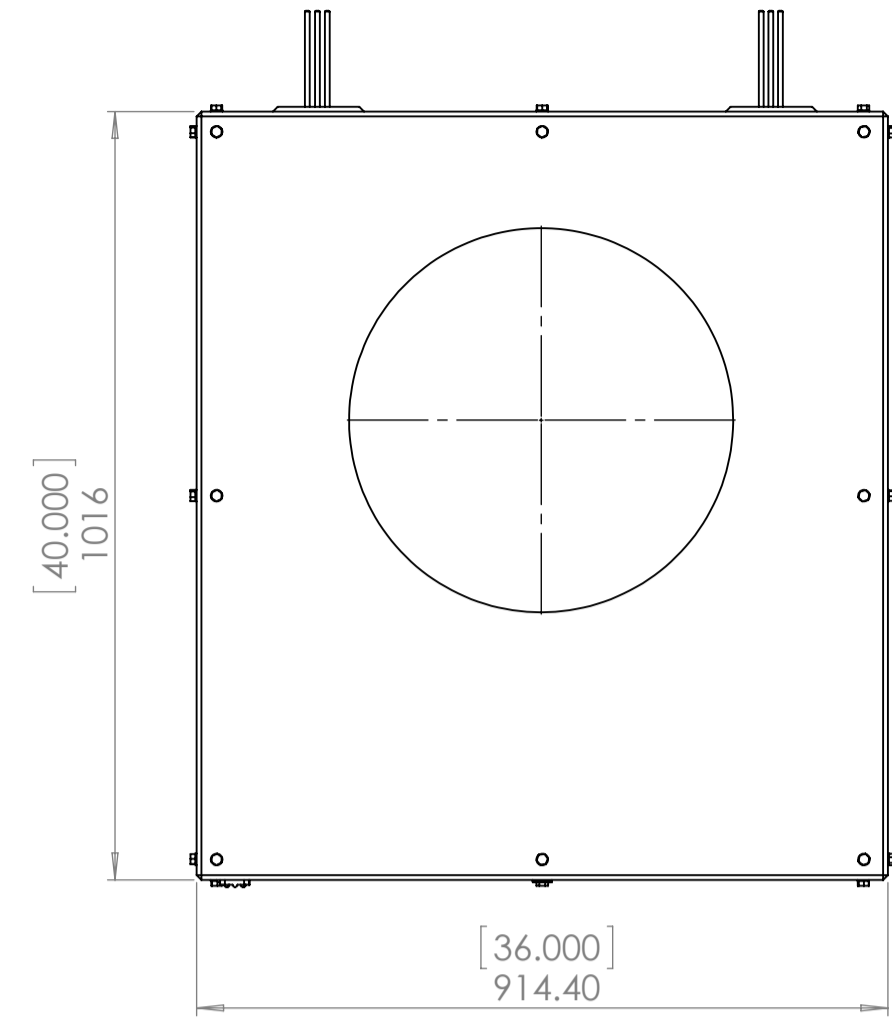
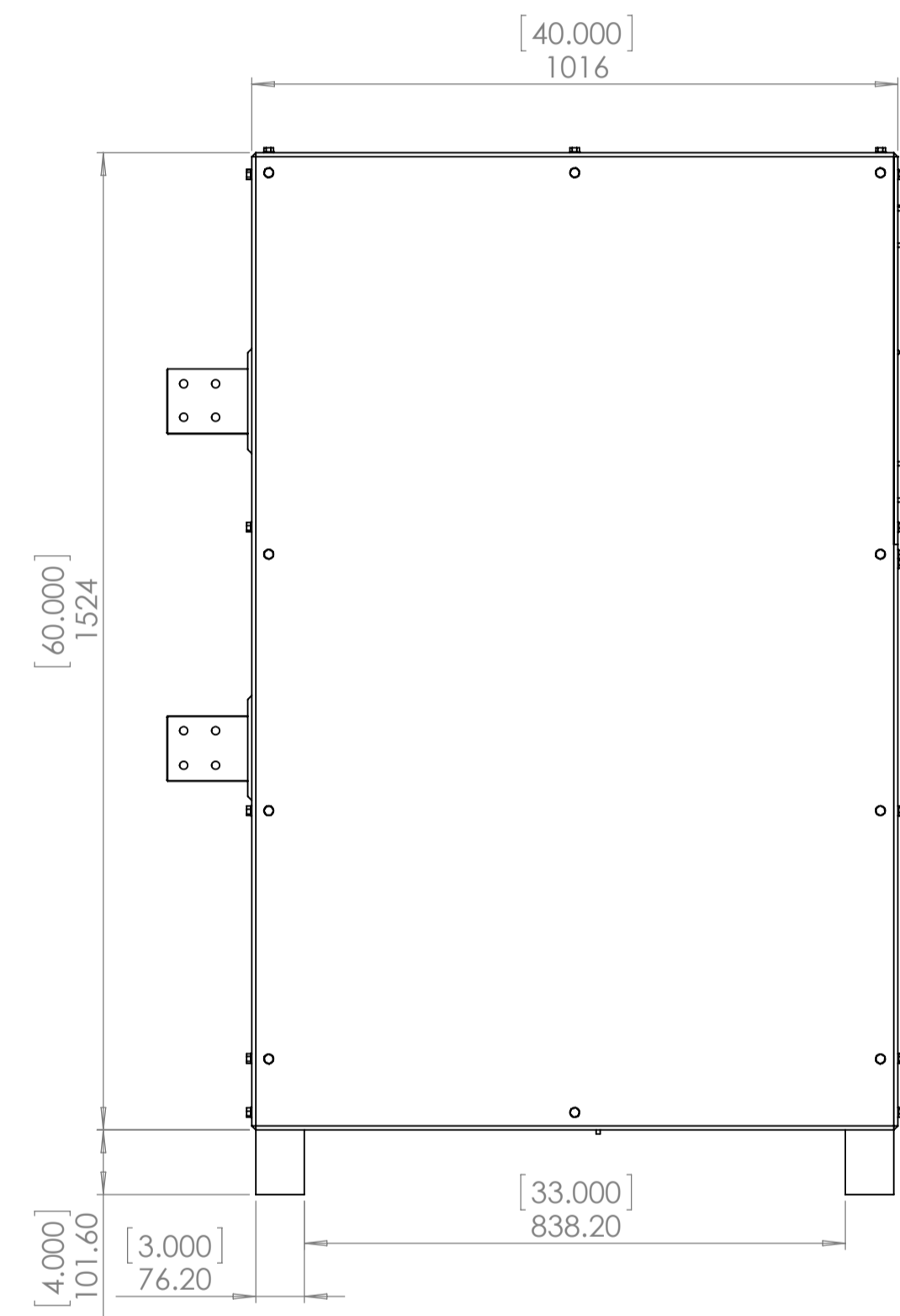


LEFT



TOP





UNLESS OTHERWISE SPECIFIED: DIMENSIONS ARE IN MILLIMETERS SURFACE FINISH: TOLERANCES: LINEAR: ANGULAR:		FINISH:	DEBUR AND BREAK SHARP EDGES	DO NOT SCALE DRAWING	REVISION
DRAWN: SO			SIGNATURE:	DATE: 6-12-19	ALDONEX, INC.
CHK'D: SO			SIGNATURE:	DATE: 6-12-19	TITLE: ENCLOSURE
APP'VD:			SIGNATURE:	DATE:	
MFG:			SIGNATURE:	DATE:	
Q.A.			SIGNATURE:	DATE:	
			MATERIAL: POLY	DWG NO. P-3A CABINET	A1
			WEIGHT:	SCALE: 1:10	SHEET 1 OF 1