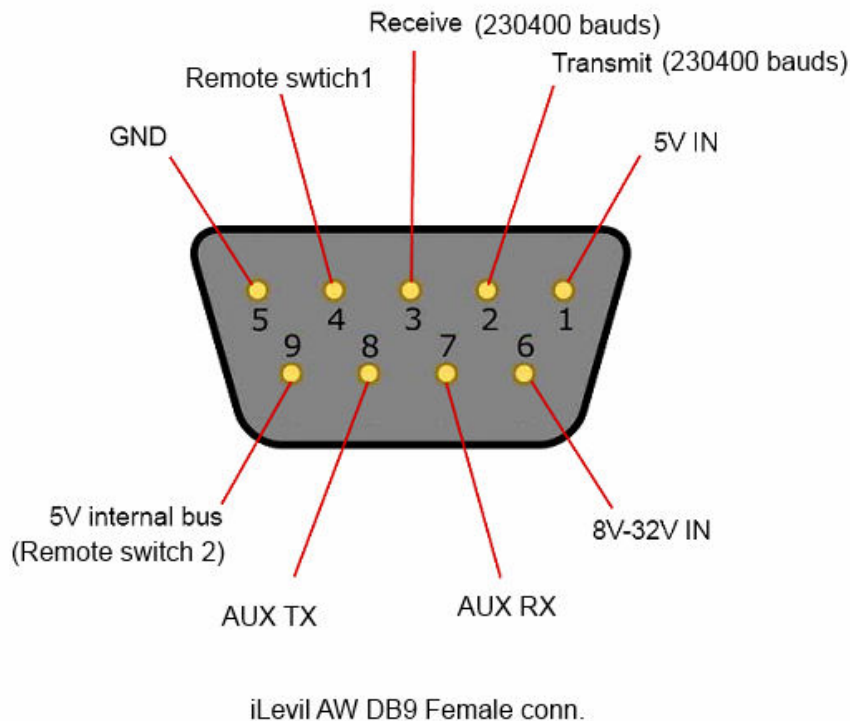


iLevel AW

DB9-Female Connection Specifications



- Pin 2 and Pin3 are for standard data transfer and factory calibration.
- Pin 7 and 8 are for data transfer to/from other hardware such as engine monitors, Zaon traffic etc.

Power Supply:

If using as portable device:

1. Use the mini-USB cable to apply 5V to the iLevel (i.e from cigarette lighter receptacle) and recharge the batteries.
2. The ON/OFF switch must be used to operate the device.

If using external power supply (DB9 connector):

1. Connect PIN5 to GND.
2. Connect power source accordingly to either PIN1 **OR** PIN6.

PIN1	5V only! Turns ON AHRS, recharges battery
PIN6	8V-32V Turns ON AHRS, recharges battery

3. Make sure the ON/OFF switch is OFF. Leaving the switch ON will cause the battery to be continuously drained after flight and then recharged on the next flight, reducing battery life.

4. For power-failure emergency situations, if the battery ON/OFF switch on the iLevel is not easily accessible, it is recommended to install a remote switch that overrides the ON/OFF switch on the iLevel. A normally open switch must be used to connect PIN4 (Remote Switch 1) with PIN9 (Remote Switch 2). The switch can be installed on the panel for easy access.

