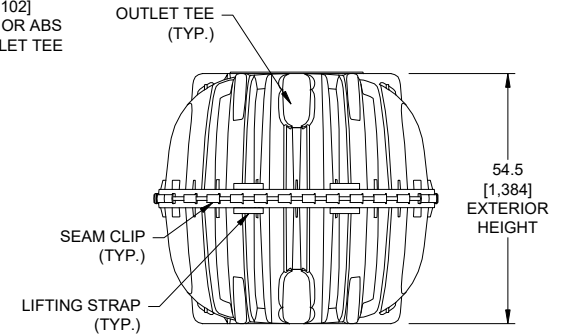
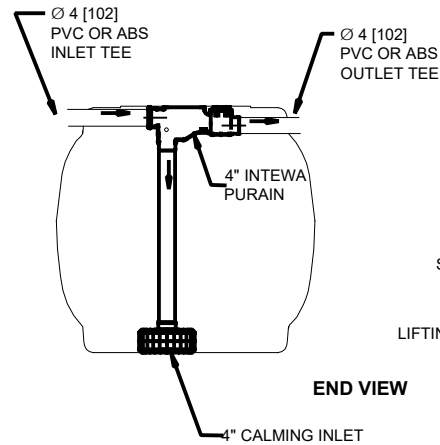
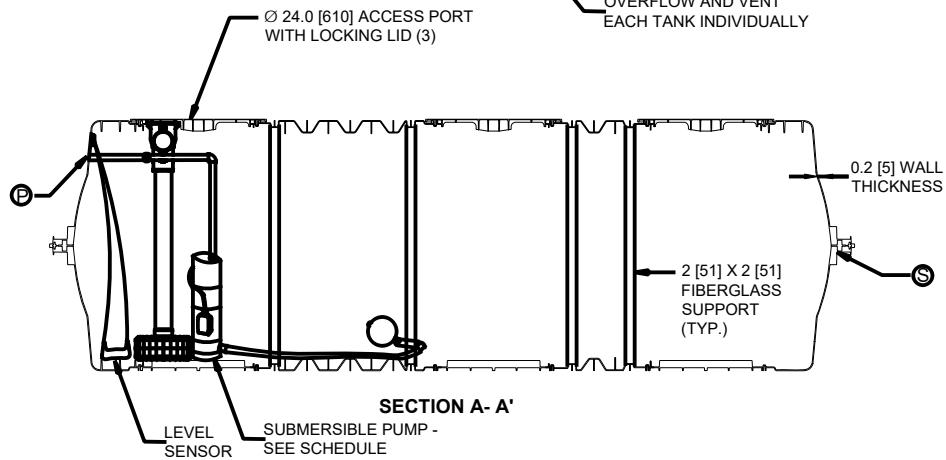


**NOTES:**

1. ALL DRAWING DIMENSIONS IN INCHES OR AS NOTED.
2. EXTERIOR OF ACCESS OPENING LID INCLUDES THE FOLLOWING WARNING IN ENGLISH, FRENCH & SPANISH: "DANGER DO NOT ENTER"
3. TANK MARKINGS WILL INCLUDE: MANUFACTURER NAME, MODEL NUMBER, LIQUID CAPACITY, DATE OF MANUFACTURE, MAXIMUM BURIAL DEPTH, INLET, AND OUTLET.
4. MAXIMUM BURIAL DEPTH IS 48".
5. MINIMUM BURIAL DEPTH IS 6".
6. TANK IS FOR NON-TRAFFIC APPLICATIONS.
7. SUITABLE FOR BURIAL IN NATIVE SOIL; SEE INSTALLATION INSTRUCTIONS.
8. DEADMAN RESTRAINT REQUIRED; SEE INSTALLATION INSTRUCTIONS.
9. SDR PIPING REQUIRED.
10. REQUIRES SKID STEER OR EXCAVATOR FOR OFFLOADING
11. TANKS ASSEMBLED BY GEORGIA WATER TANKS. CUSTOMER TO PROVIDE 4 LABORERS, OR 2 LABORERS PLUS SKID STEER/EXCAVATOR & OPERATOR.
12. FILL WITH WATER OR PIPE TO COLLECTION SURFACE PRIOR TO BACKFILL.
13. INSTALL POPUP EMITTER OR SCREEN ON OUTLET LINE TO PREVENT RODENT AND MOSQUITO ACCESS.



TANK EXTERIOR	
LENGTH	175.6 [4,460]
WIDTH	61.7 [1,567]
HEIGHT	54.5 [1,384]

LIQUID DEPTH	44.0 [1,118]
INVERT DROP	3.0 [76]
FREEBOARD	10.1 [257]

TOTAL CAPACITY	1,787 GAL
WORKING VOLUME	1,650 GAL

GEORGIA WATER TANKS  
ATLANTA, GA

IM-1530 DUPLEX PARALLEL  
WITH 4" INTEWA PURAIN

Drawn by: RDH	Date: 12/4/2015
Scale: NOT TO SCALE	Checked by: RAD
	Sheet: 1 of 1