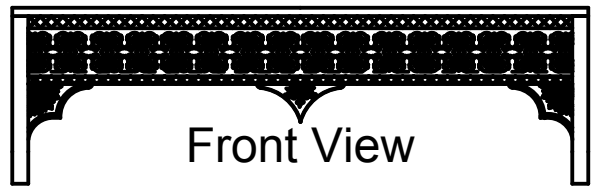
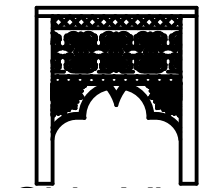


Top View

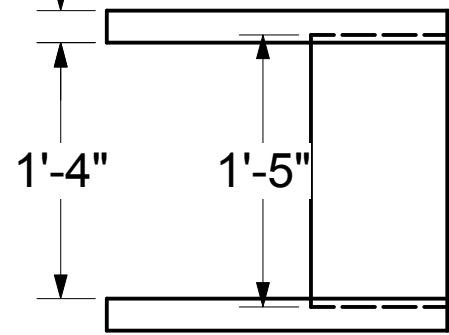


Front View

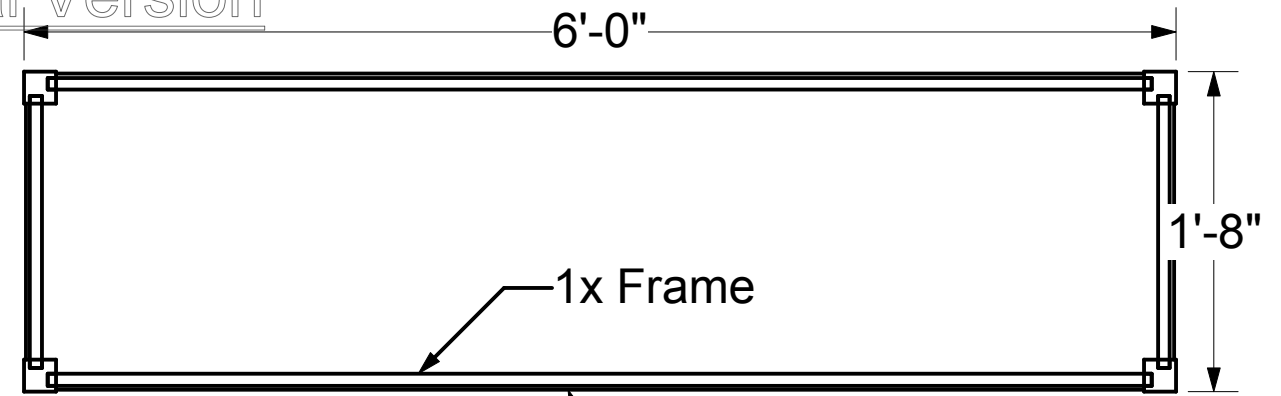


Side View

1 Finished Bench
1 Scale: 1/2"=1'-0"

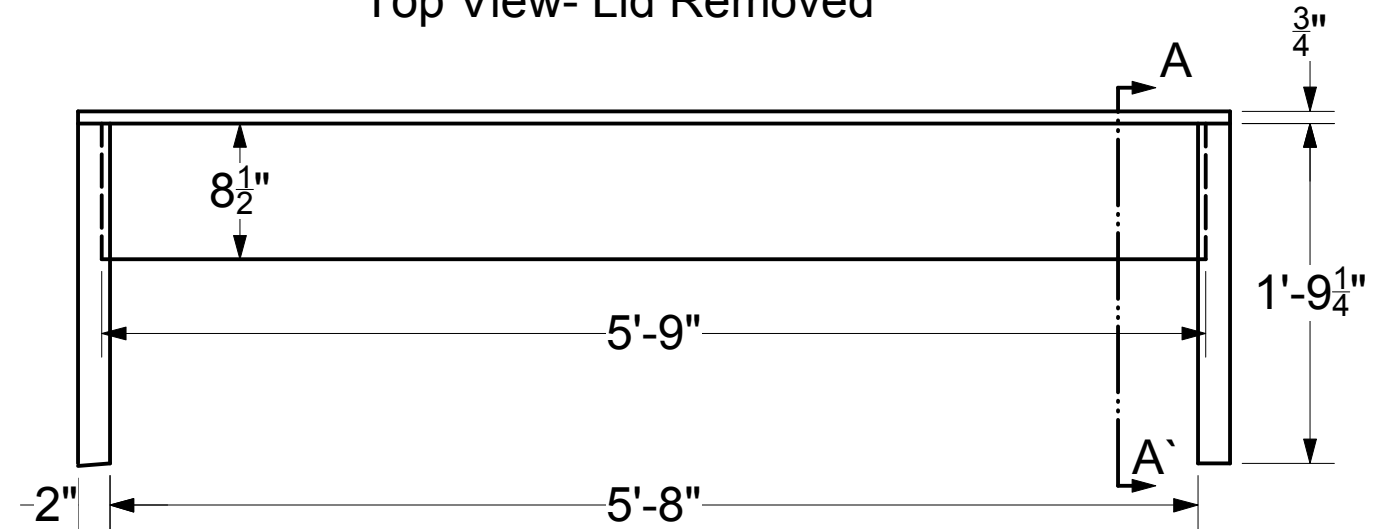


Side View



1x Frame
Luan Facing

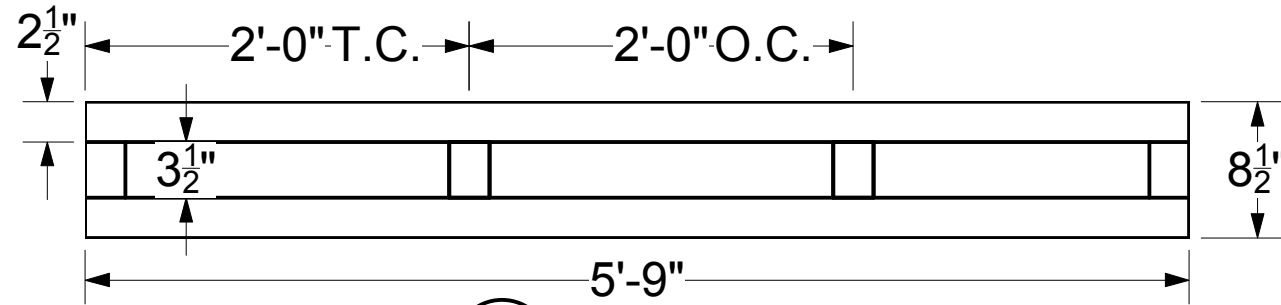
Top View- Lid Removed



Front View

2 Boat Bench Orthographic
1 1"=1'-0"

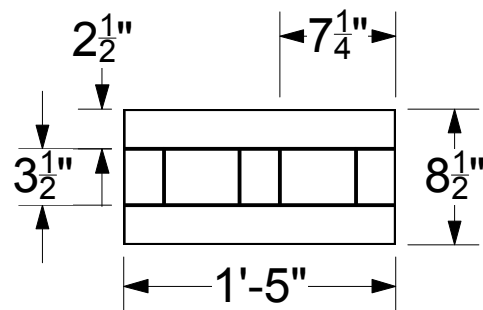
Build 2: From 1x3, 2x, Luan, and 3/4" Ply.
Assemble aprons in dados with pocket hole screws.
Glue All. Lid is 3/4" Ply, assemble with loose pin hinges.



4 Front/ Back Apron Frame
1 Scale: 1"=1'-0"

Build 2 From 1x3

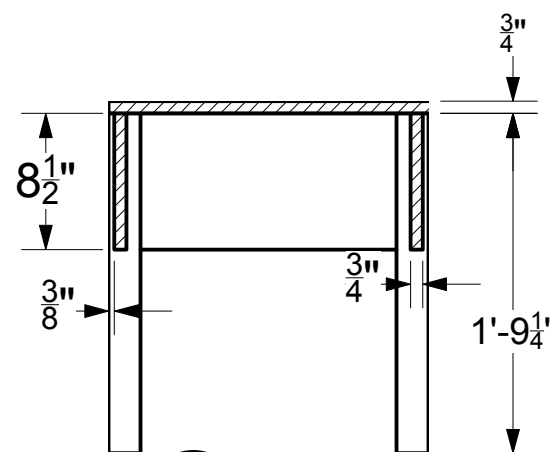
Pre-drill pocket holes before assembly



5 Side Apron
1 1"=1'-0"

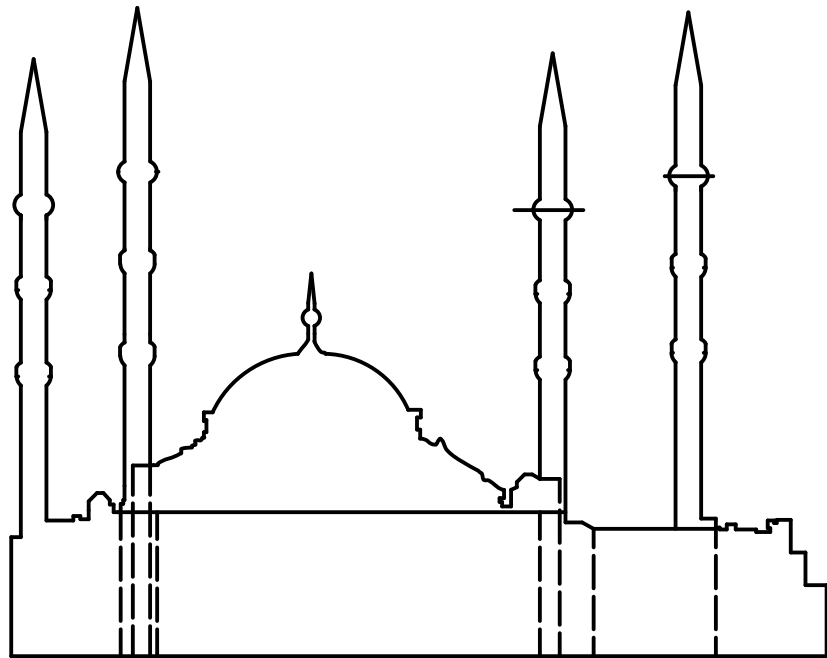
Build 2 From 1x3

Pre-drill pocket holes before assembly



3 Section A- A'
1 1"=1'-0"

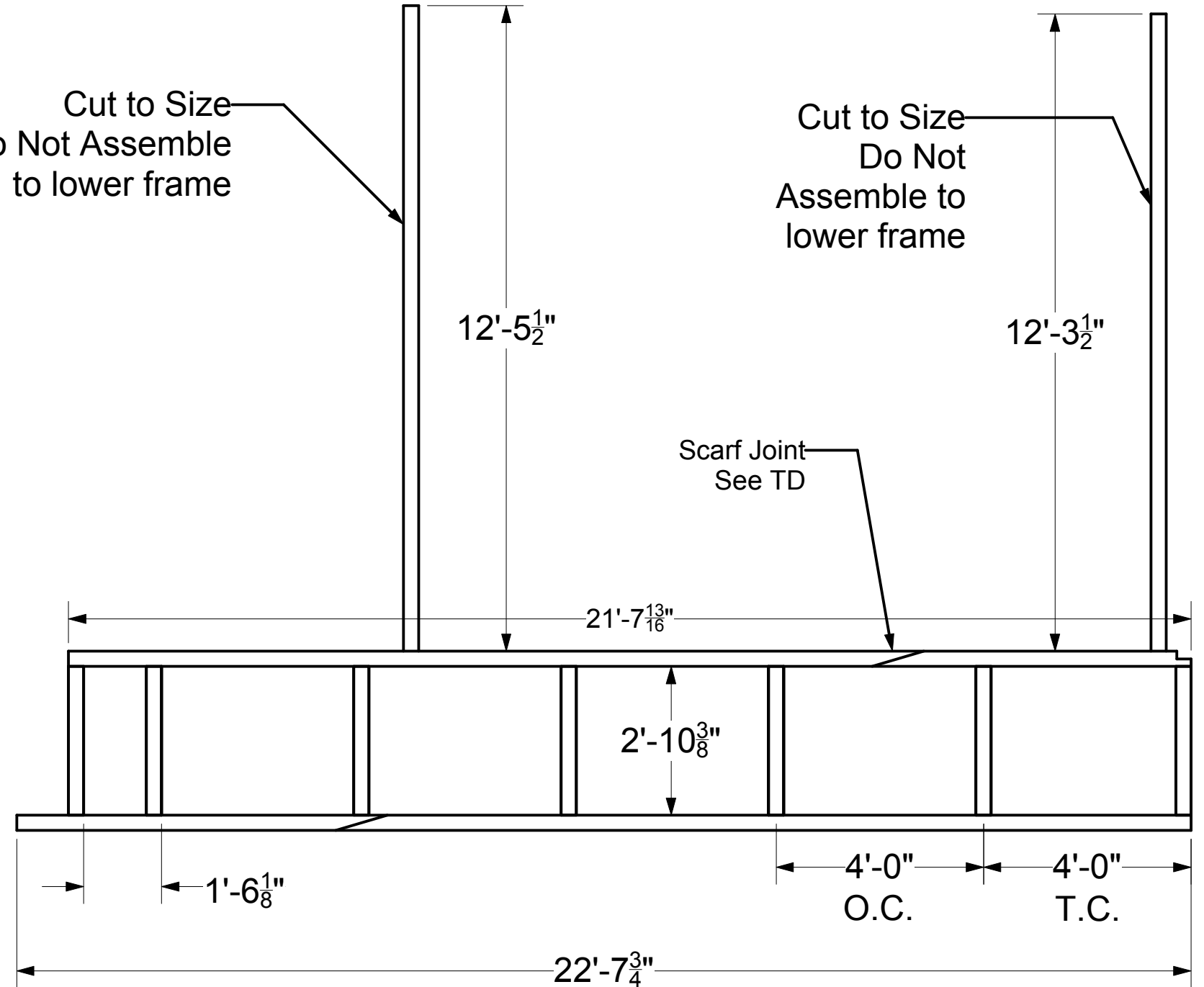
Production Title		Arabian Nights	
Drawing Title		Boat Bench Design 2	
Designer	Jay I.	Director	Alice Berry
Drawn By	A. Mayer	Scale	As Noted
Venue	University of Memphis	Drawing No.	1
Date	3/13/12		of
CAD File Name			?



1 Finished Backdrop
2 Scale: 3/16"=1'-0"

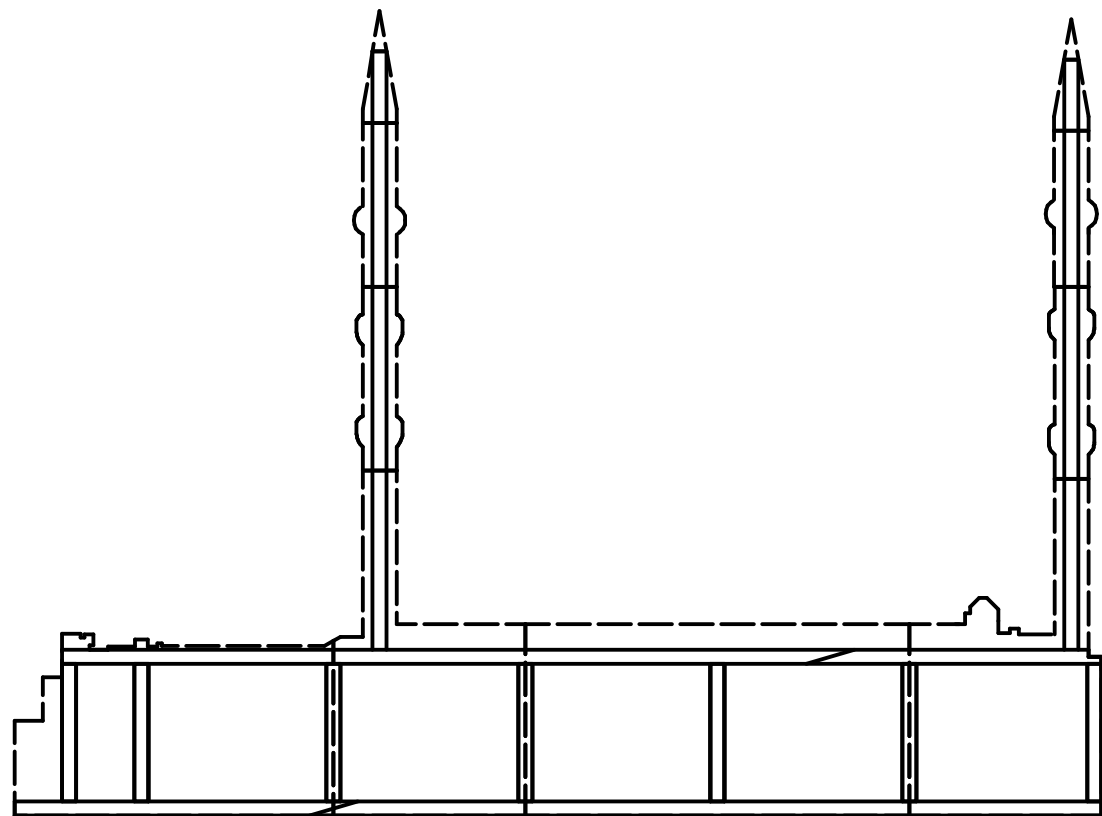
Cut to Size
Do Not Assemble
to lower frame

Cut to Size
Do Not Assemble
to lower frame



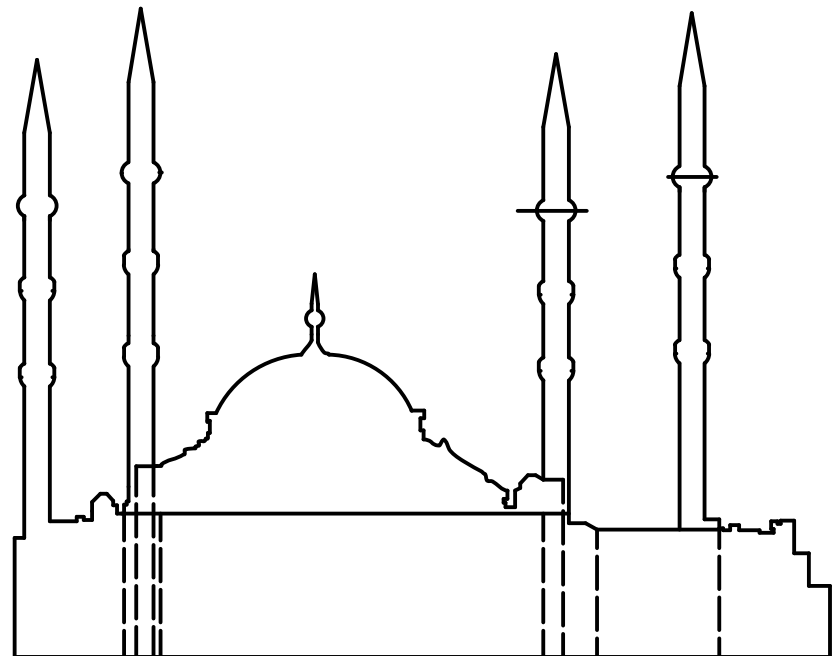
2 Front Unit
2 Scale: 3/8"=1'-0"

Build 1 from 1x4. Use standard flat construction.
REAR VIEW

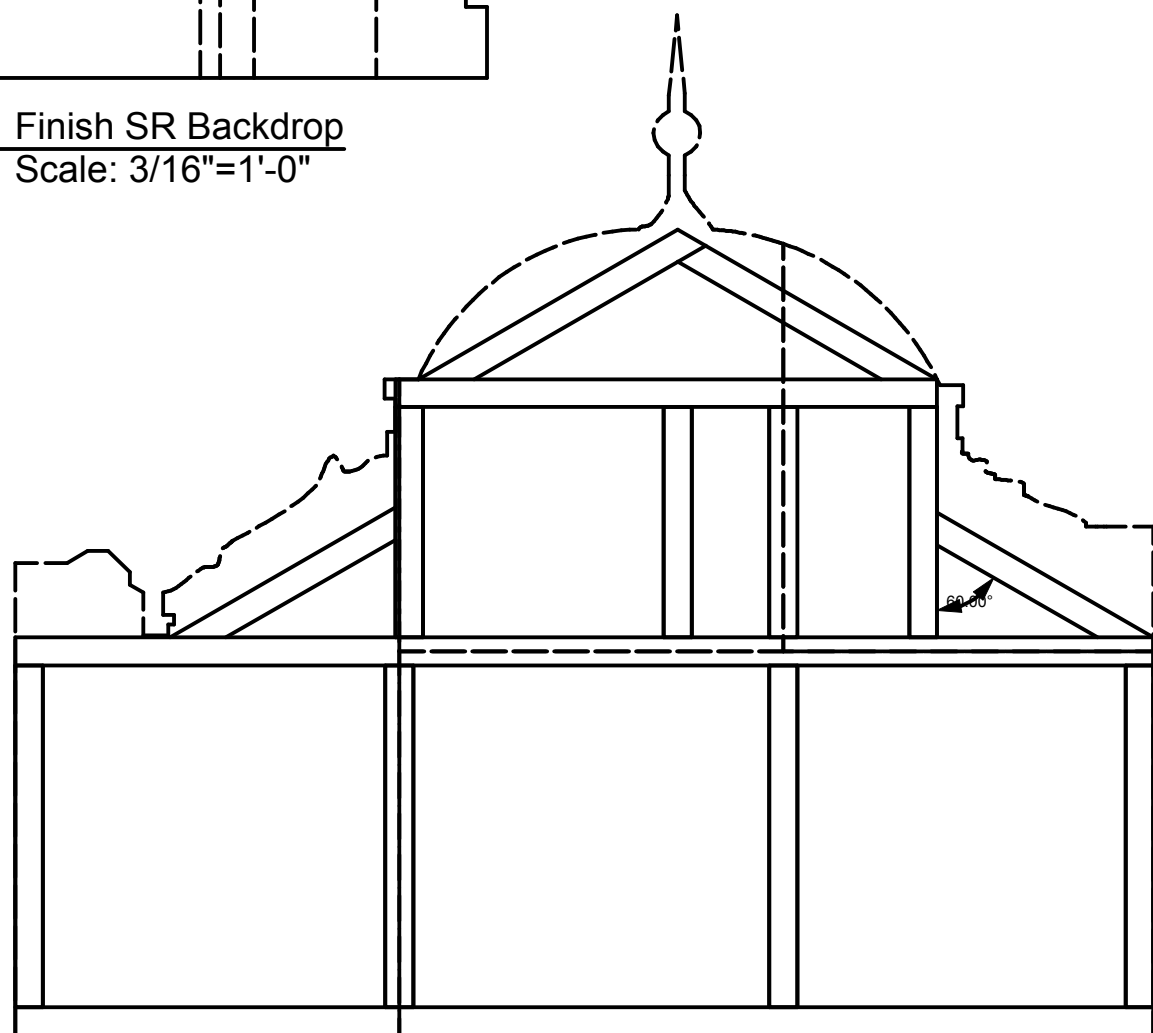


3 Front Unit Luan Layout
2 Scale: 1/4"=1'-0"
Glue and Narrow Crown.
REAR VIEW

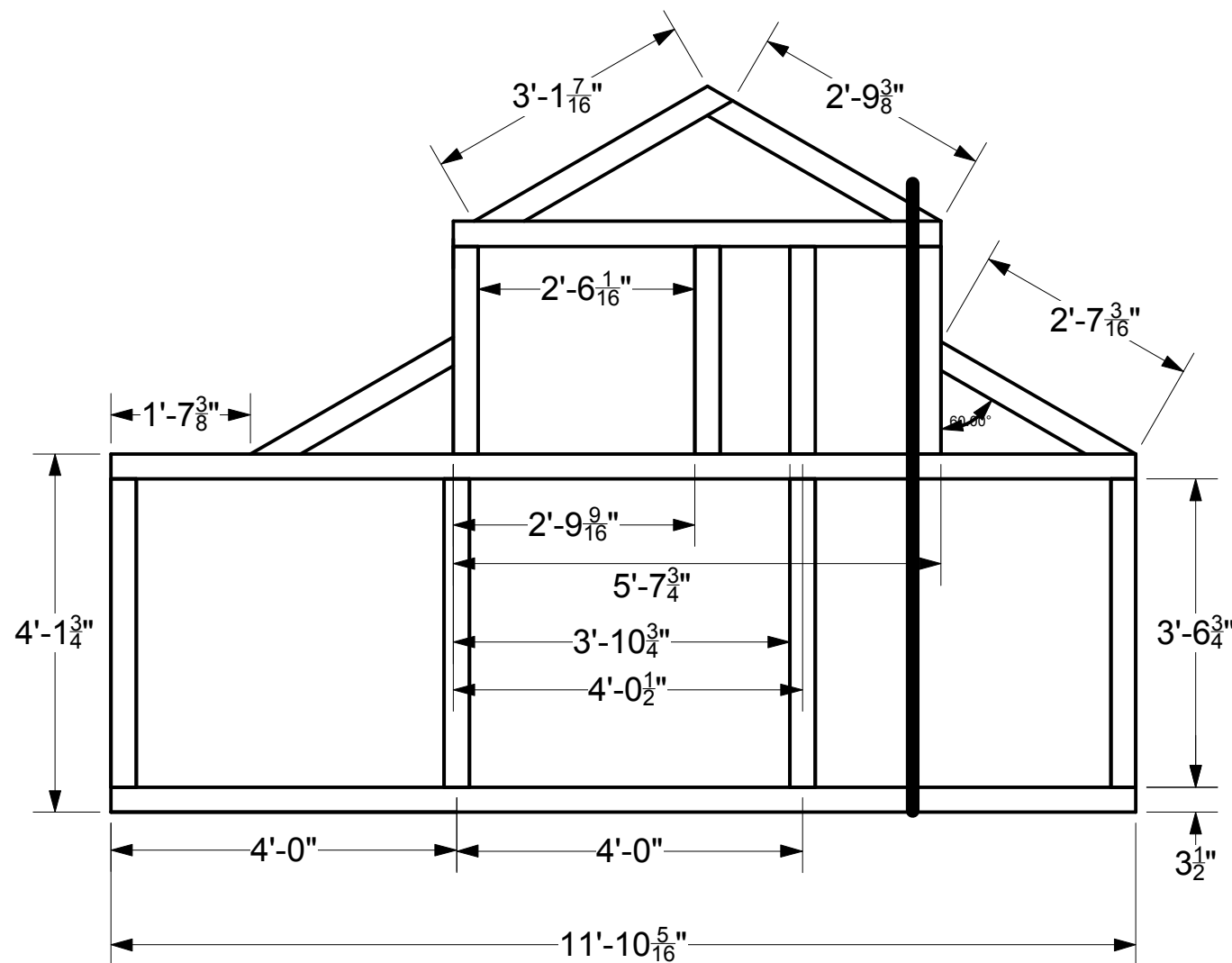
Production Title		Arabian Nights	
Drawing Title		SR Back Drop 1	
Designer	Jay I.	Director	Alice Berry
Drawn By	Aaron Mayer	Scale	As Noted
Venue	University of Memphis	Drawing No.	2
Date	3/13/2012		_____ of _____
CAD File Name			?



1 Finish SR Backdrop
3 Scale: 3/16"=1'-0"



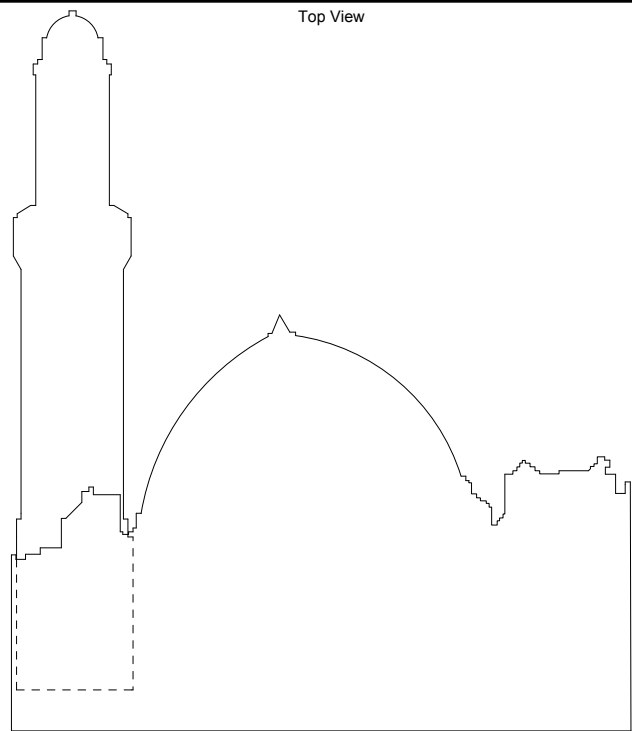
3 Center Unit Luan Layout
3 Scale: 1/2"=1'-0"
Glue and Narrow Crown.
REAR VIEW



2 Center Unit
3 Scale: 1/2"=1'-0"

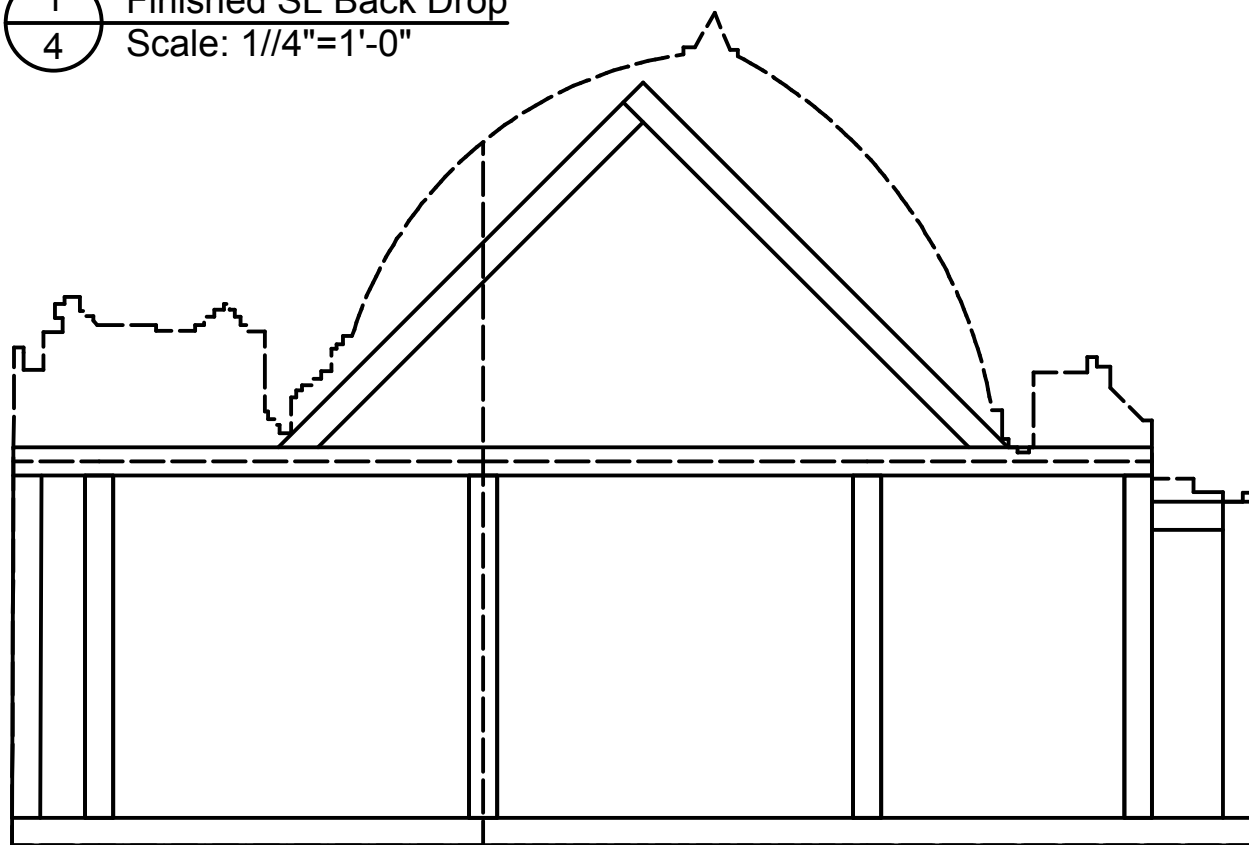
Build 1 from 1x4. Use standard flat construction.
REAR VIEW

Production Title		Arabian Nights	
Drawing Title		SR Back Drop 2	
Designer	Jay I.	Director	Alice Berry
Drawn By	A. Mayer	Scale	As Noted
Venue	University of Memphis	Drawing No.	3
Date	3/13/12		of
CAD File Name			?

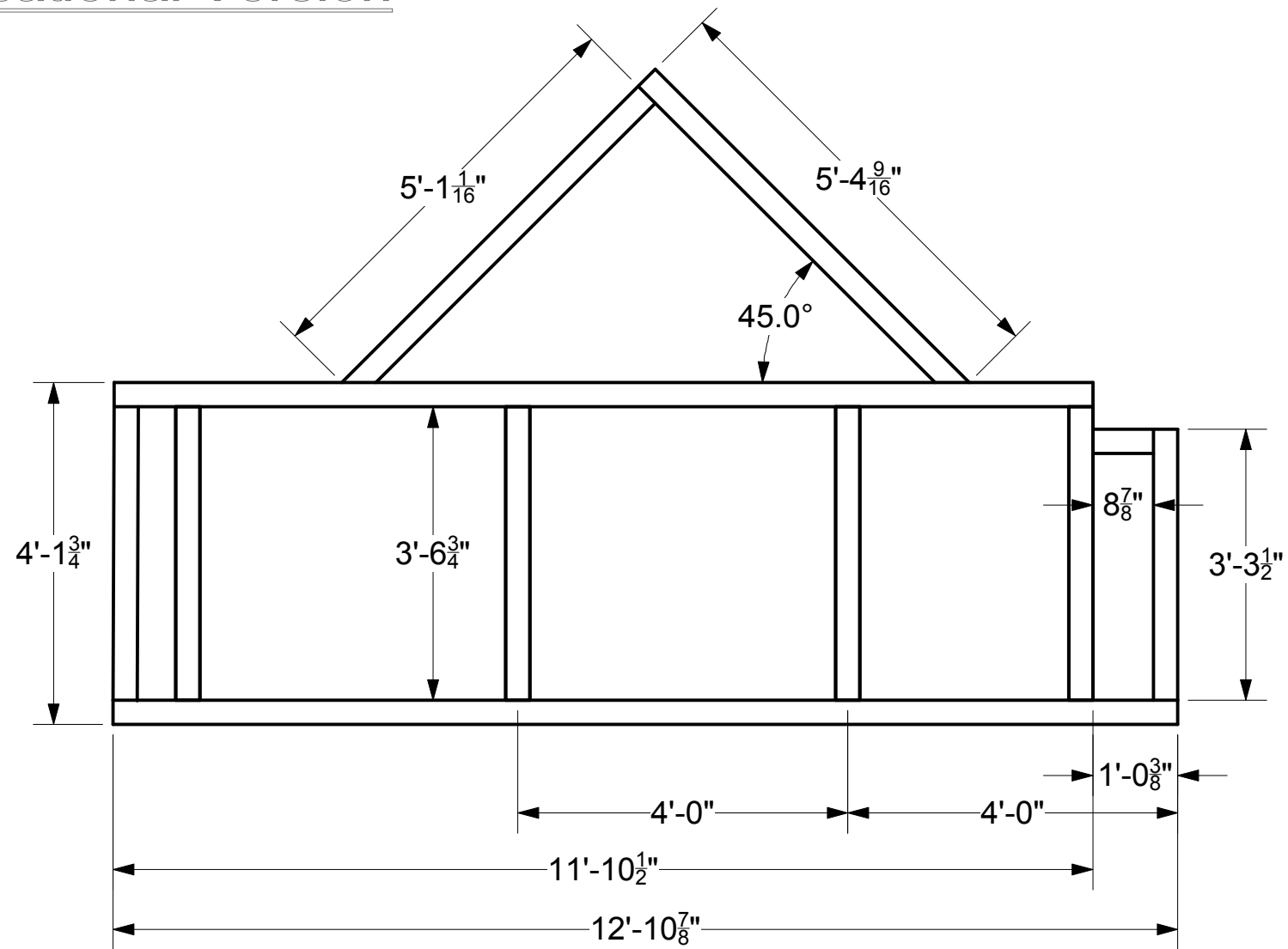


Top View

1 Finished SL Back Drop
4 Scale: 1/4"=1'-0"



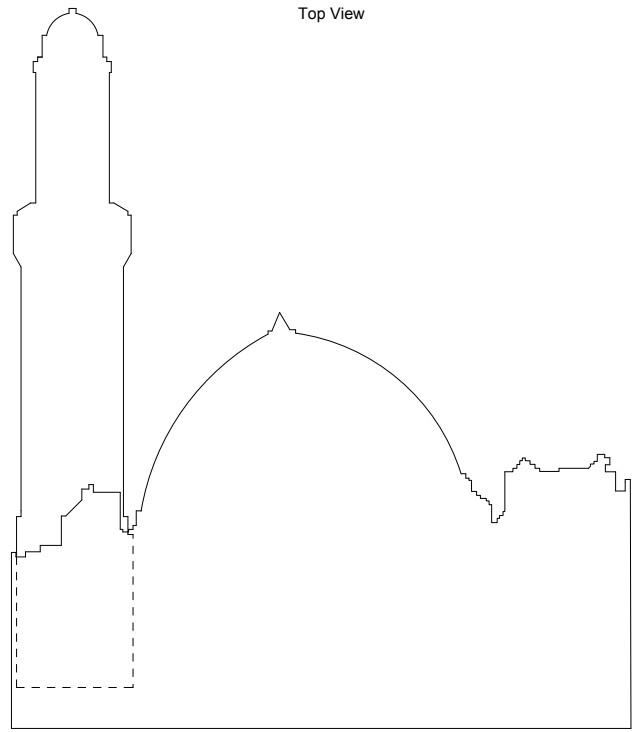
3 Front Unit Luan Layout
4 Scale 1/4"=1'-0"
Glue and Narrow Crown.
REAR VIEW



2 Front Unit
4 Scale: 1/2"=1'-0"

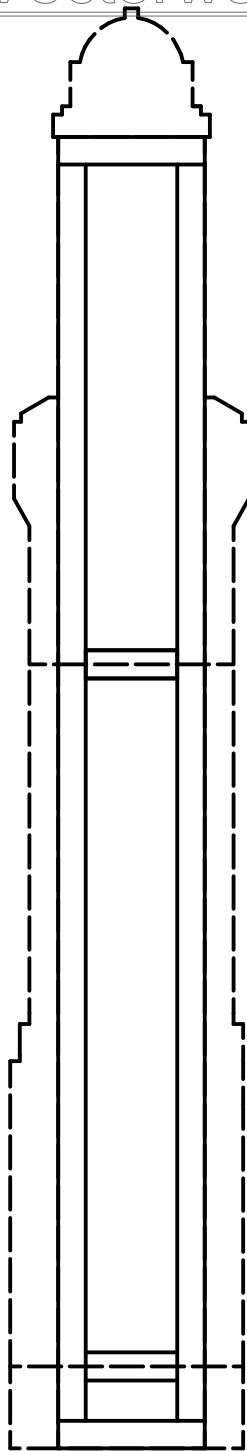
Build 1 from 1x4. Use standard flat construction.
REAR VIEW

Production Title		Arabian Nights	
Drawing Title		SL Back Drop 1	
Designer	Jay I.	Director	Alice Berry
Drawn By	A. Mayer	Scale	As Noted
Venue	University of Memphis	Drawing No.	4
Date	3/14/12		_____ of _____
CAD File Name			?



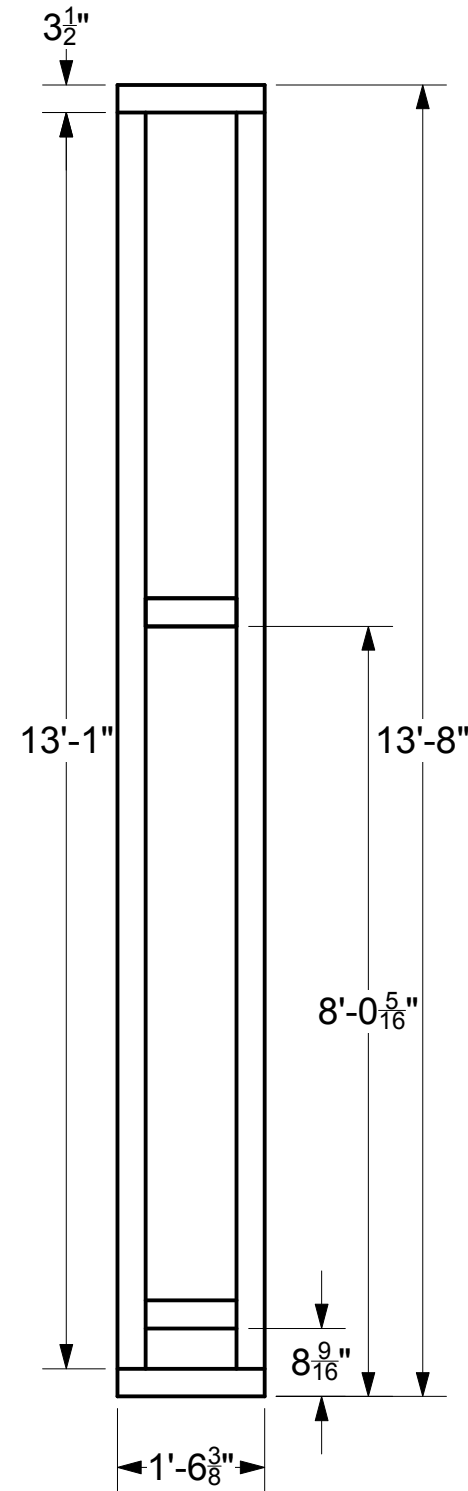
Top View

1
5 Finished SL Back Drop
Scale: 1/4"=1'-0"



3
5 Rear Unit Luan Layout
Scale: 1/2"=1'-0"

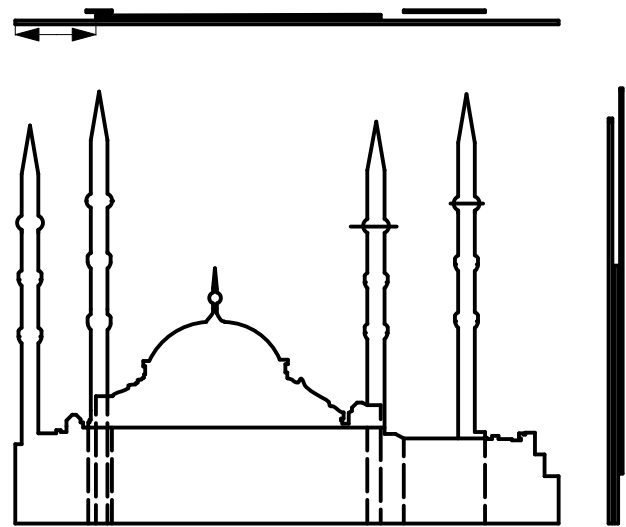
Glue and Narrow Crown.
REAR VIEW



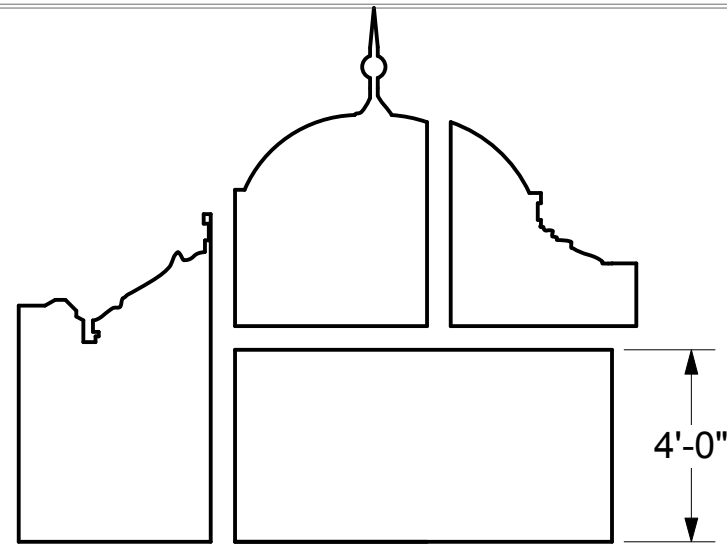
2
5 Rear Unit Framing
Scale: 1/2"=1'-0"

Build 1 from 1x4. Use standard flat construction.
REAR VIEW

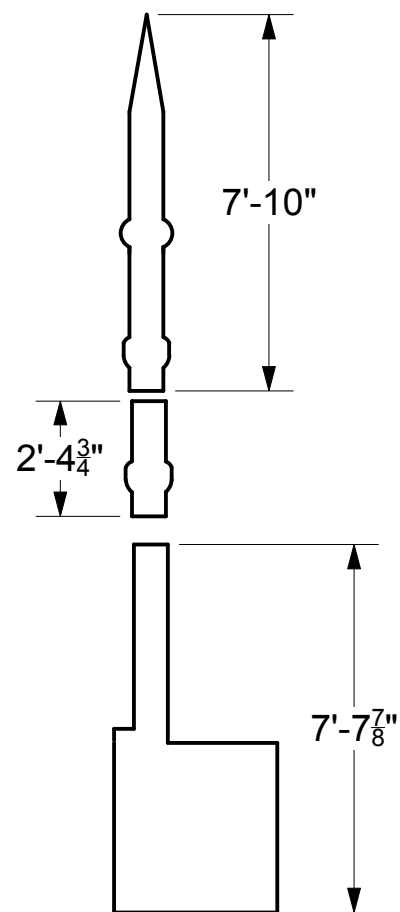
Production Title		Arabian Nights	
Drawing Title		SL Back Drop 2	
Designer	Jay I.	Director	Alice Berry
Drawn By	A. Mayer	Scale	As Noted
Venue	University of Memphis	Drawing No.	5
Date	3/14/13		_____ of _____
CAD File Name			?



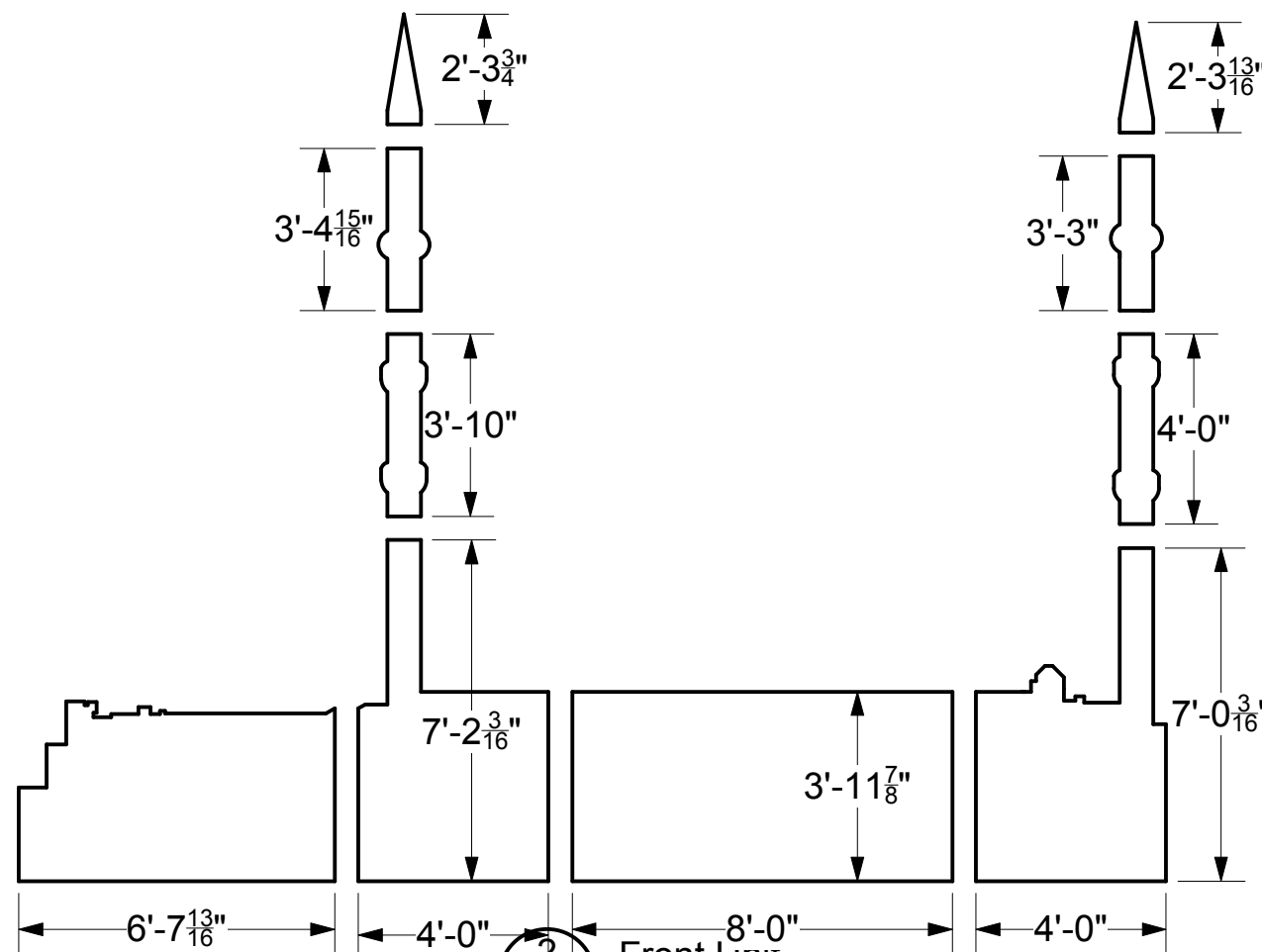
1 Finished SR Backdrop
6 Scale: 1/8"=1'-0"
Front VIEW



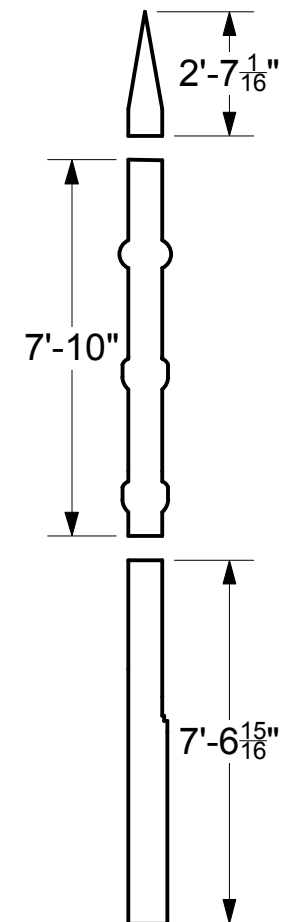
5 Dome Section
6 Scale: 1/4"=1'-0"
REAR VIEW



4 SL Rear Turret
6 Scale: 1/4"=1'-0"
REAR VIEW

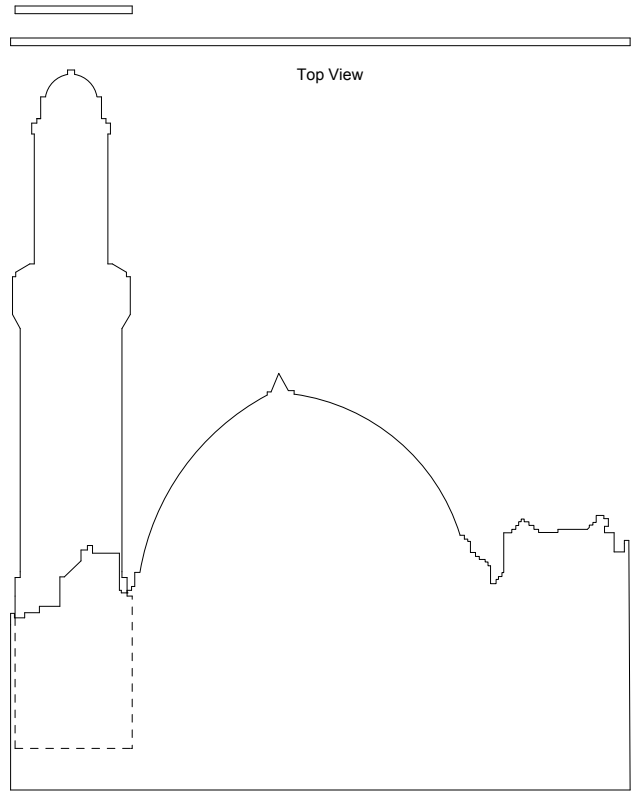


2 Front Unit
6 Scale: 1/4"=1'-0"
REAR VIEW



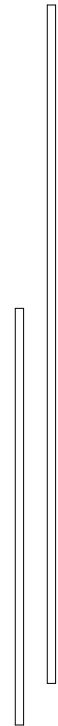
3 SR Rear Turret
6 Scale: 1/4"=1'-0"
REAR VIEW

Production Title		Arabian Nights	
Drawing Title		SR Backdrop Luan Layout	
Designer	Jay L.	Director	Alice Berry
Drawn By	A. Mayer	Scale	As Noted
Venue	University of Memphis	Drawing No.	6
Date	3/14/12		of
CAD File Name			?



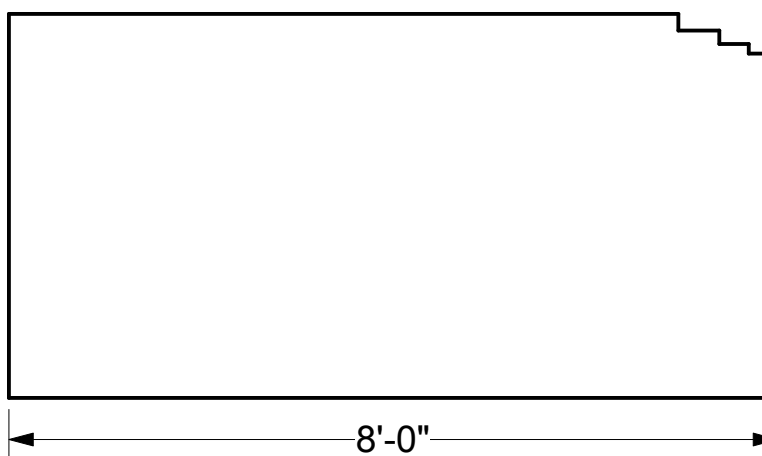
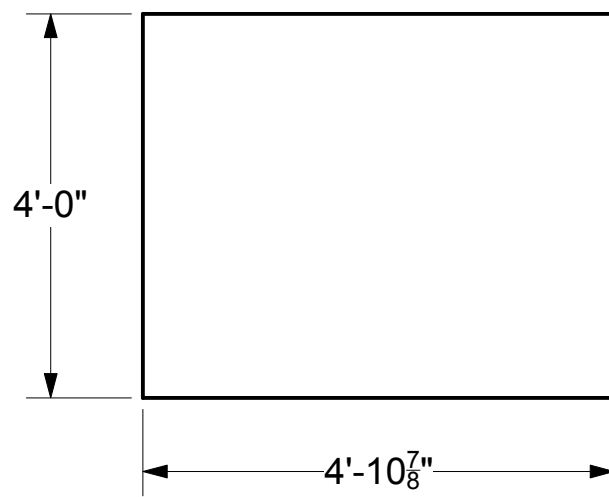
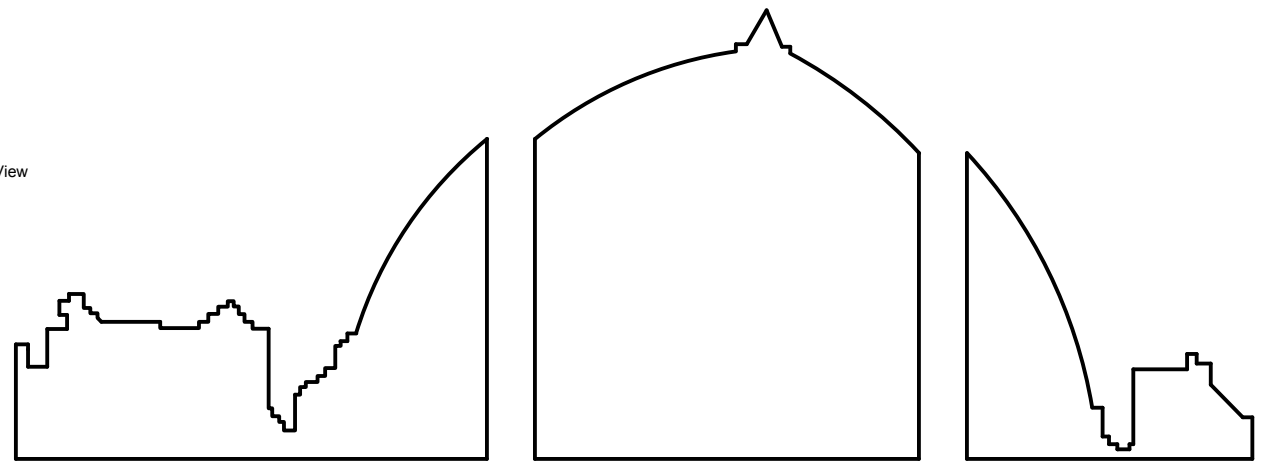
Top View

Front View

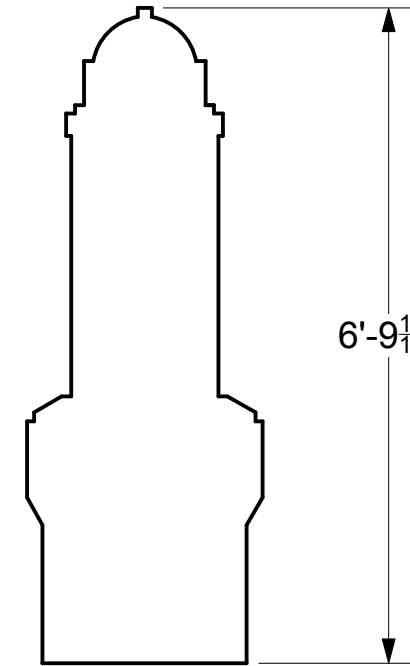


Side View

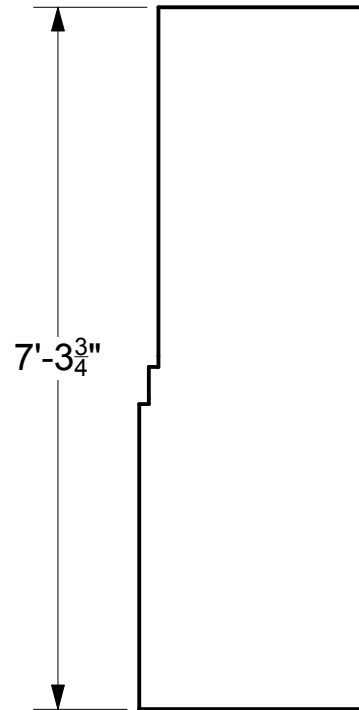
1/7 Finished SL Back Drop
Scale: 1/4"=1'-0"
Front VIEW



2/7 Front Unit
Scale: 1/2"=1'-0"
REAR VIEW



6'-9 15/16"



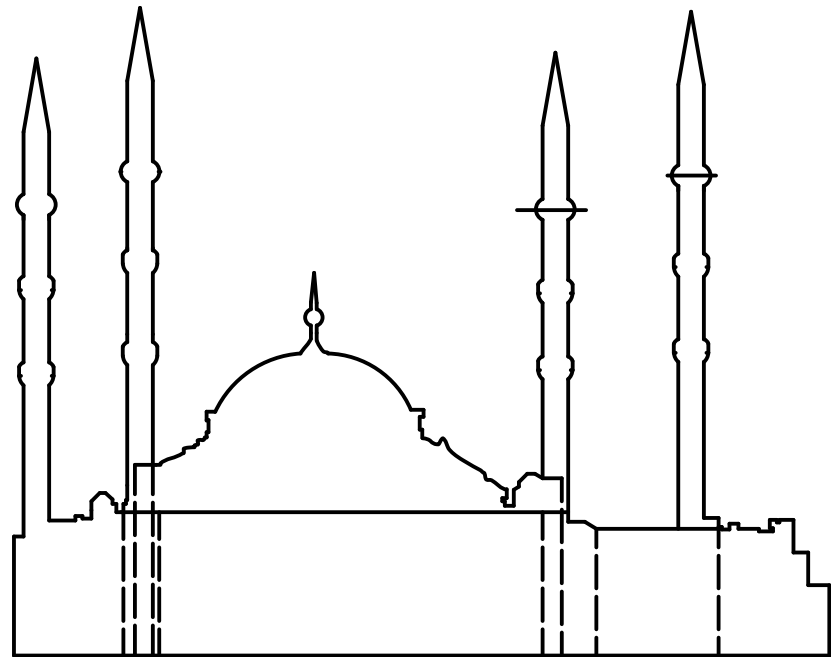
7'-3 3/4"



10 5/16"

3/7 Rear Unit
Scale: 1/2"=1'-0"
REAR VIEW

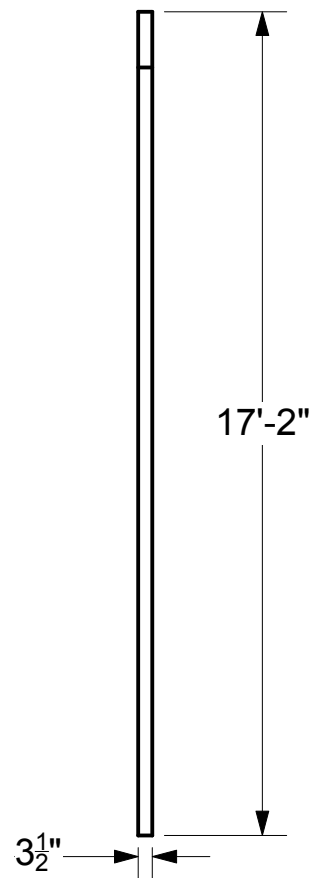
Production Title		Arabian Nights	
Drawing Title		SL Backdrop Luan Layout	
Designer	Jay I.	Director	Alice Berry
Drawn By	A. Mayer	Scale	As Noted
Venue	University of Memphis	Drawing No.	7
Date	3/14/12		of
CAD File Name			?



1
8 Finished SR Back Drop
Scale: 3/16"=1'-0"

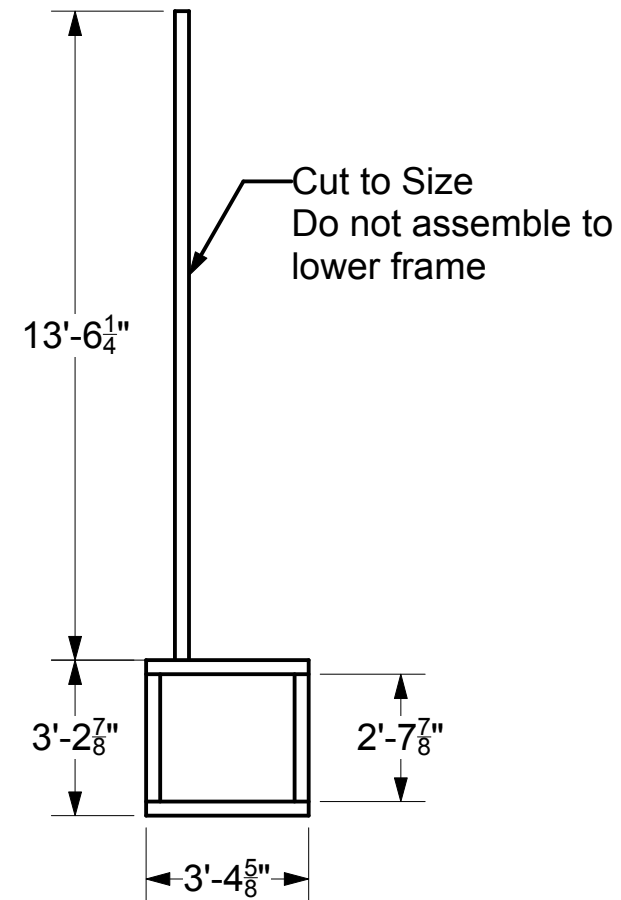


5
8 Rear Turret SR Luan Layout 4
Scale: 1/4"= 1'-0"



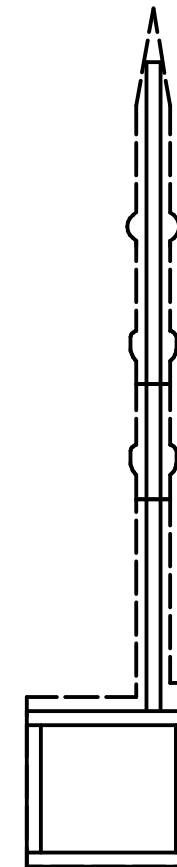
4
8 Rear Turret SR
Scale: 1/4"=1'-0"

Build 1 from 1x4. Biscuit Join.
REAR VIEW



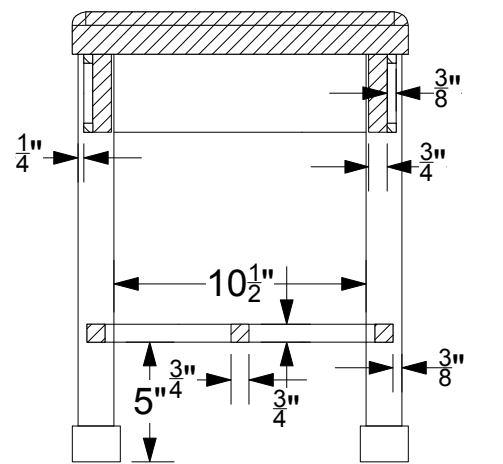
2
8 Rear Turret
Scale: 1/4"= 1'-0"

Build 1 from 1x4. Use standard flat construction.
REAR VIEW

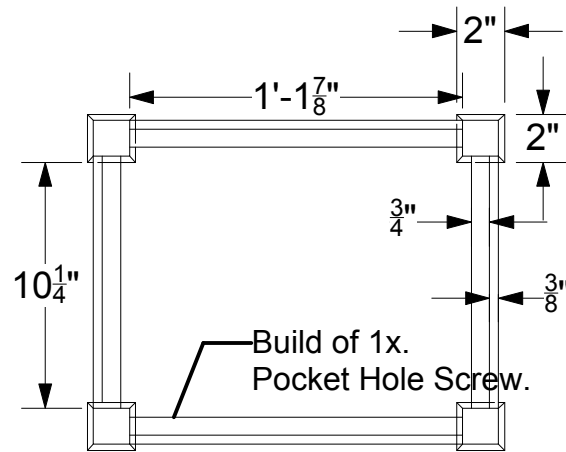


3
8 Rear Turret Luan Layout
Scale: 1/4"= 1'-0"

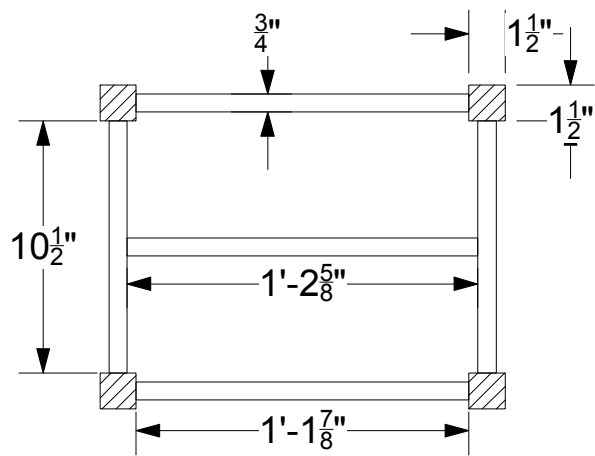
Production Title		Arabian Nights	
Drawing Title		SR Back Drop 3	
Designer	Jay I.	Director	Alice Berry
Drawn By	A. Mayer	Scale	As Noted
Venue	University of Memphis	Drawing No.	8
Date	3/14/12		_____ of _____
CAD File Name			?



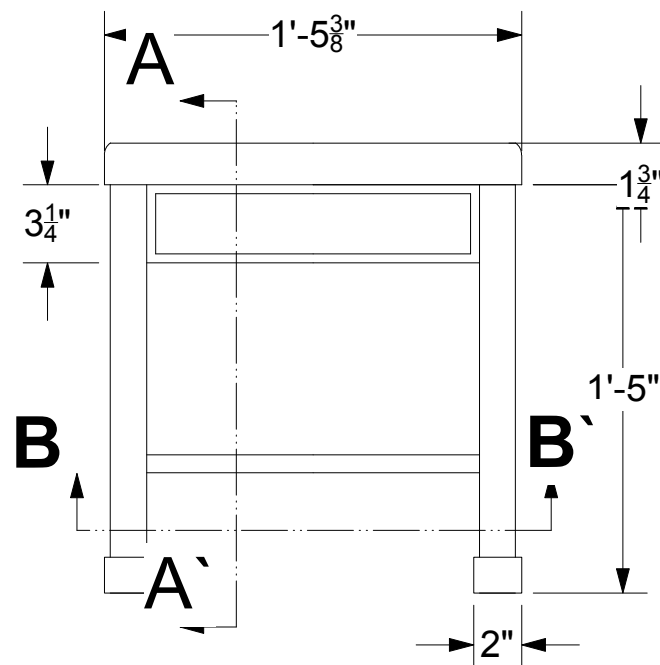
5 Section A-A
9 Scale: 1 1/2"=1'-0"



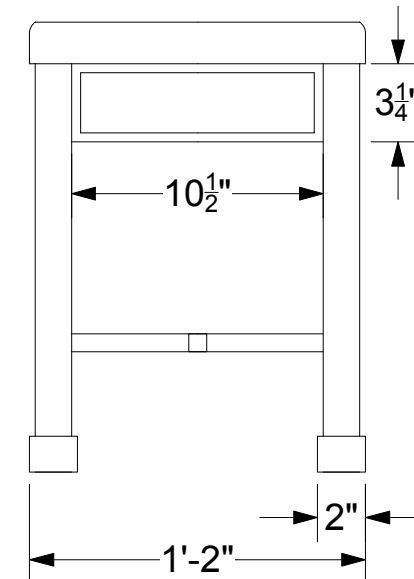
3 Top View. Lid Removed
9 Scale: 1 1/2"=1'-0"



4 Section B-B'
9 Scale: 1 1/2"=1'-0"



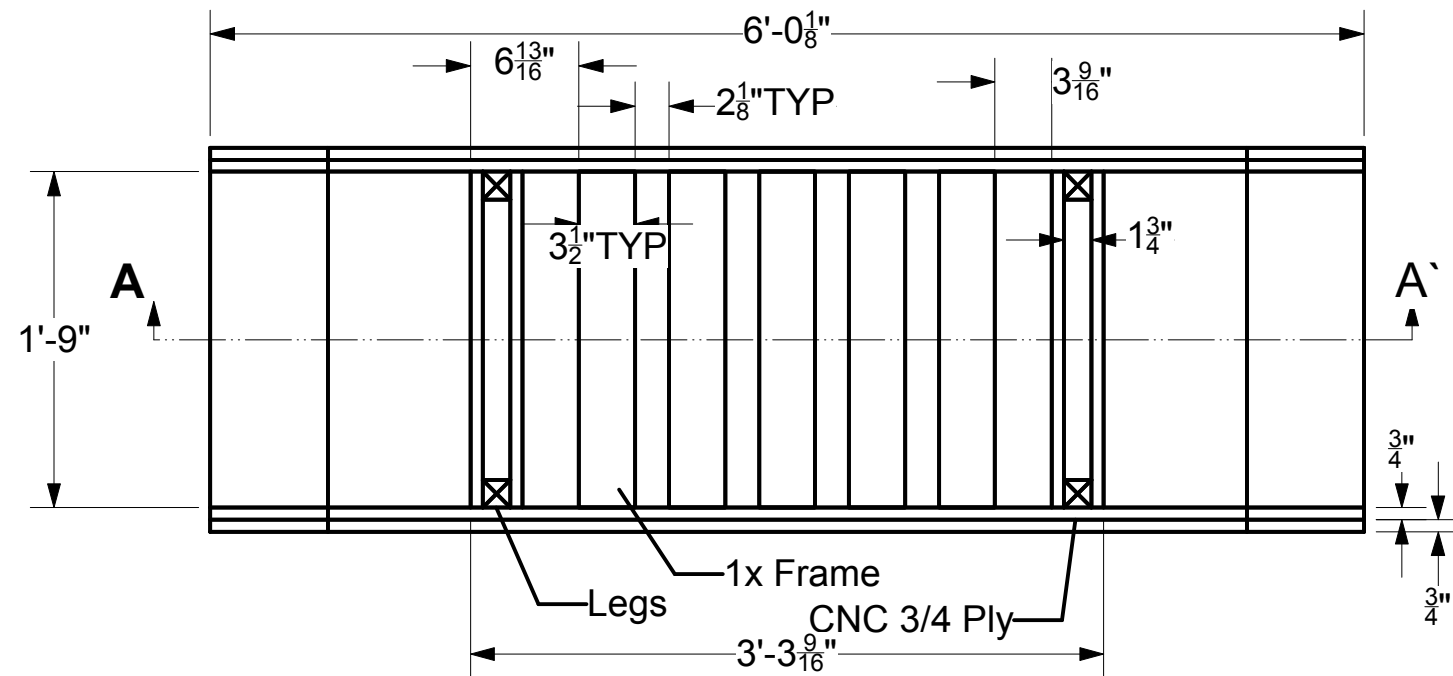
1 Front View
9 Scale: 1 1/2"=1'-0"



2 Side View
9 Scale: 1 1/2"=1'-0"

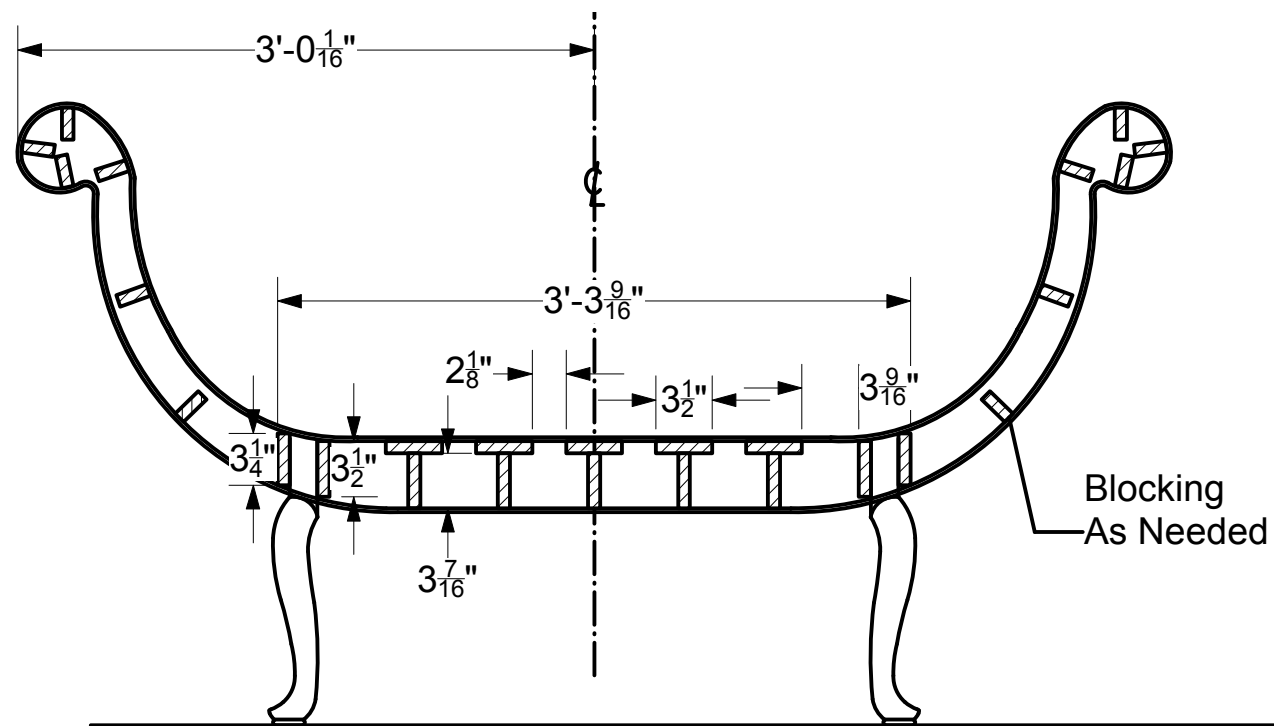
Build 2. Predrill, Glue, and Screw.

Production Title		Arabian Nights	
Drawing Title		Little Benches	
Designer	Jay I.	Director	Alice Berry
Drawn By	A. Mayer	Scale	As Noted
Vendor	University of Memphis	Drawing No.	9
Date	3/16/12		_____ of _____
CAD File Name			?

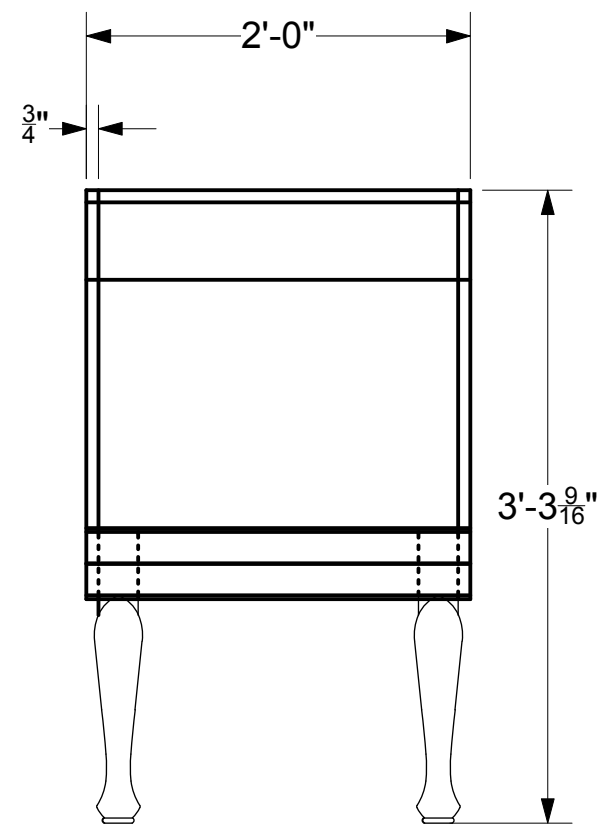


2 Top View- Skin Removed
10 Scale: 1"=1'-0"

Build 1 from 3/4 ply and 1x,
Cover with bendy board.
Belt sand seems, Cover with veneer.
Legs are prefabbed, see TD.
Glue All.

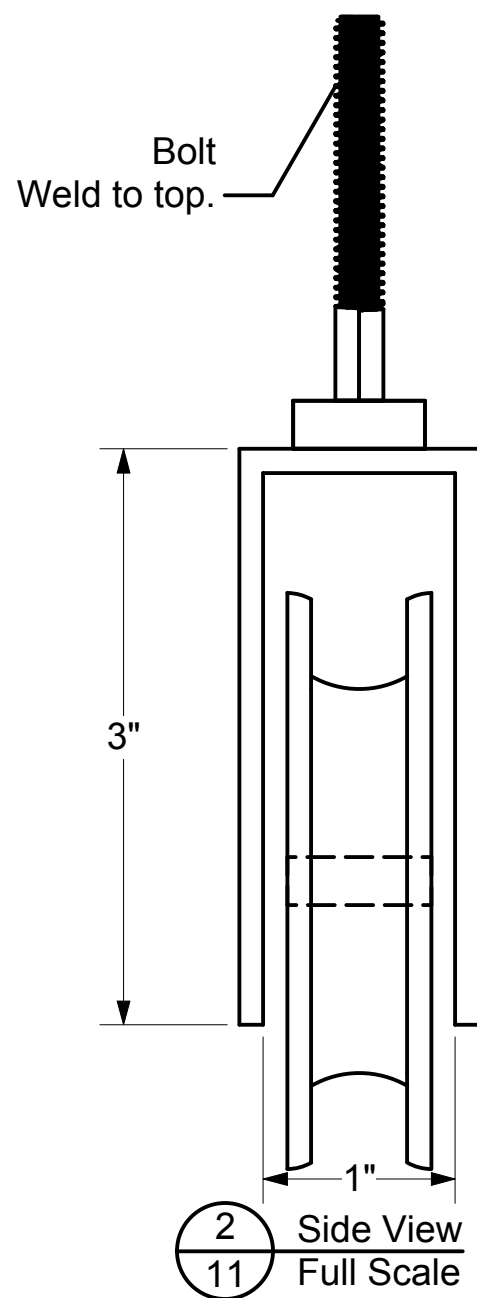
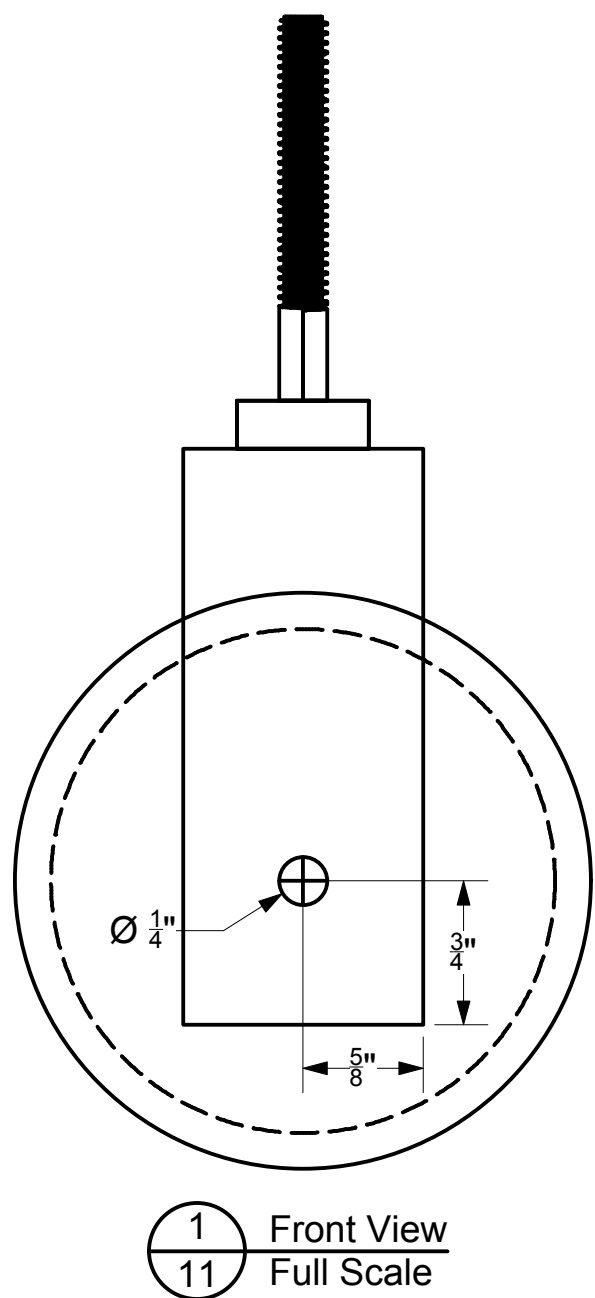
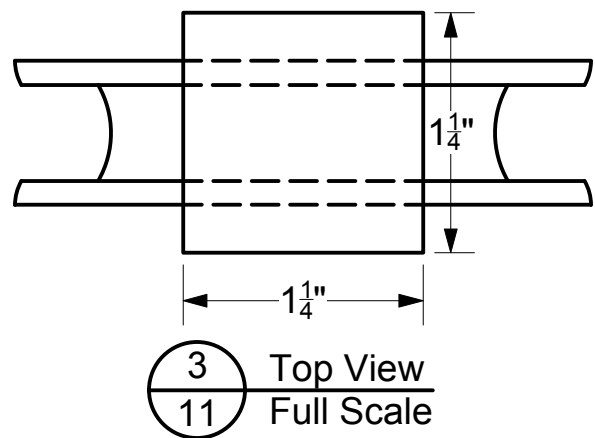


1 Section A-A'
10 Scale: 1"=1'-0"



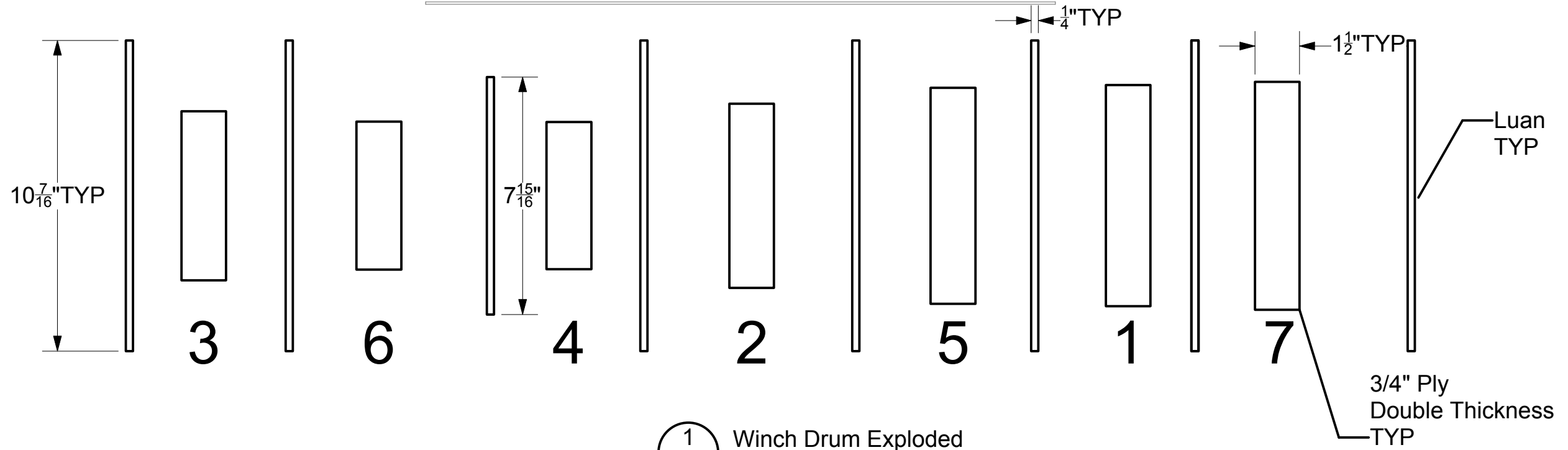
3 Side View
10 Scale: 1"=1'-0"

Production Title		Arabian Nights	
Drawing Title		Curved Bench	
Designer	Jay I.	Director	Alice Berry
Drawn By	A. Mayer	Scale	As Noted
Vendor	University of Memphis	Drawing No.	10
Date	3/26/12		of
CAD File Name			?

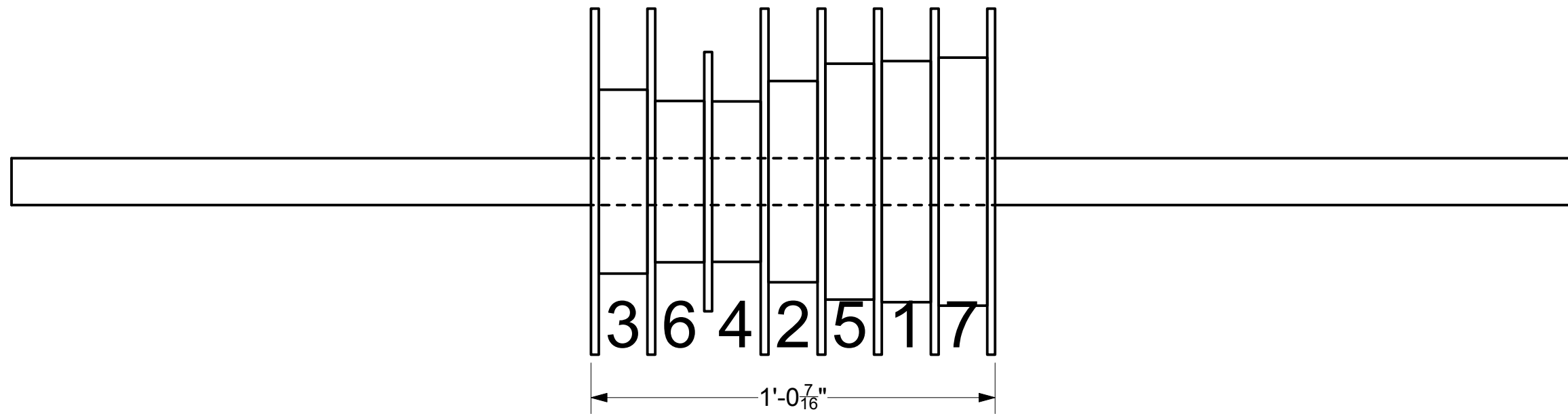


Build 7 From 1/8"x 1 1/4" Strap Steel.
See TD for Pulleys.

Production Title		Arabian Nights	
Drawing Title		Lantern Pulleys	
Designer	Jay I.	Director	Alice Berry
Drawn By	A. Mayer	Scale	As Noted
Venue	University of Memphis	Drawing No.	11
Date	3/26/12		_____ of _____
CAD File Name			?



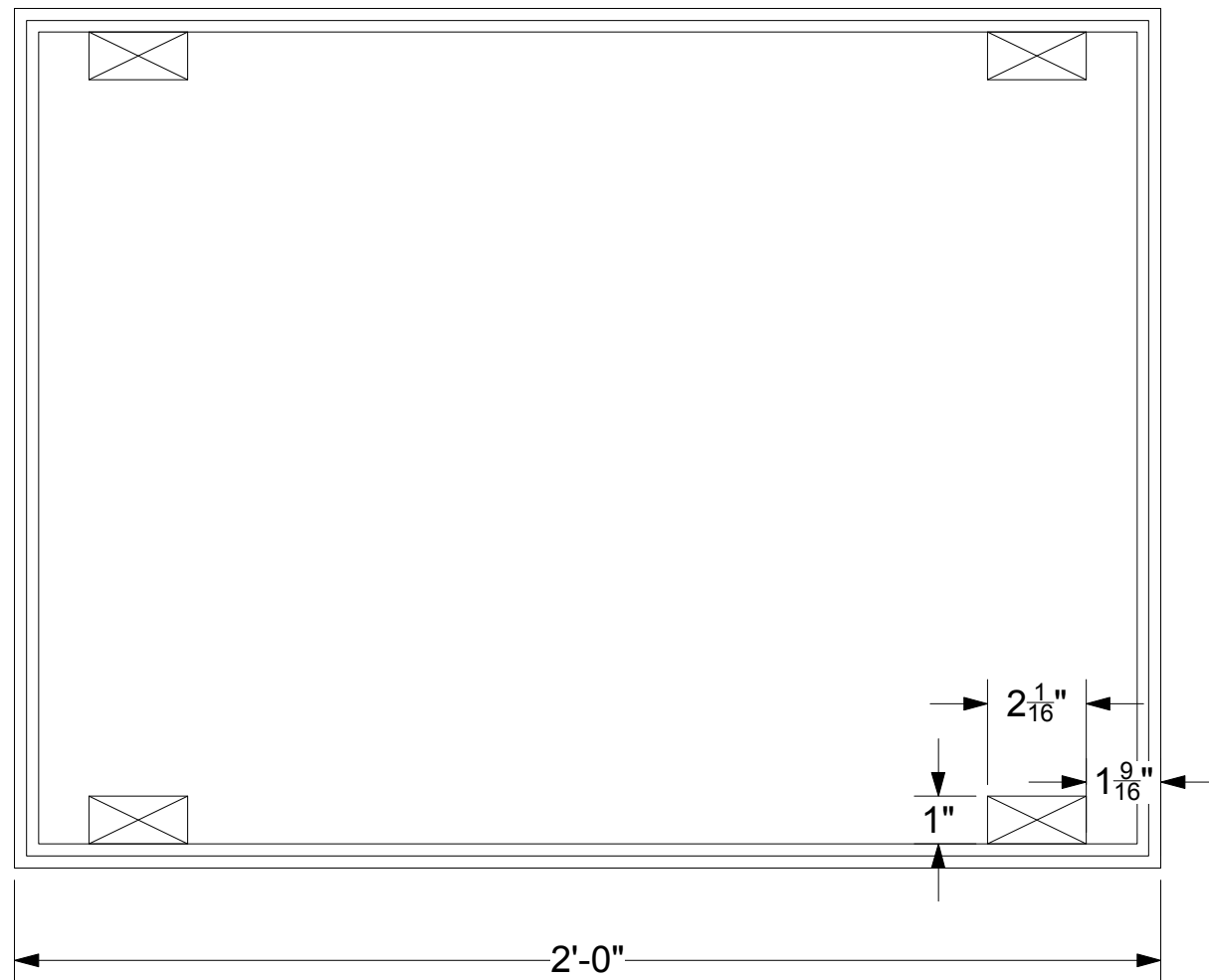
1 Winch Drum Exploded
12 Scale: 3"=1'-0"



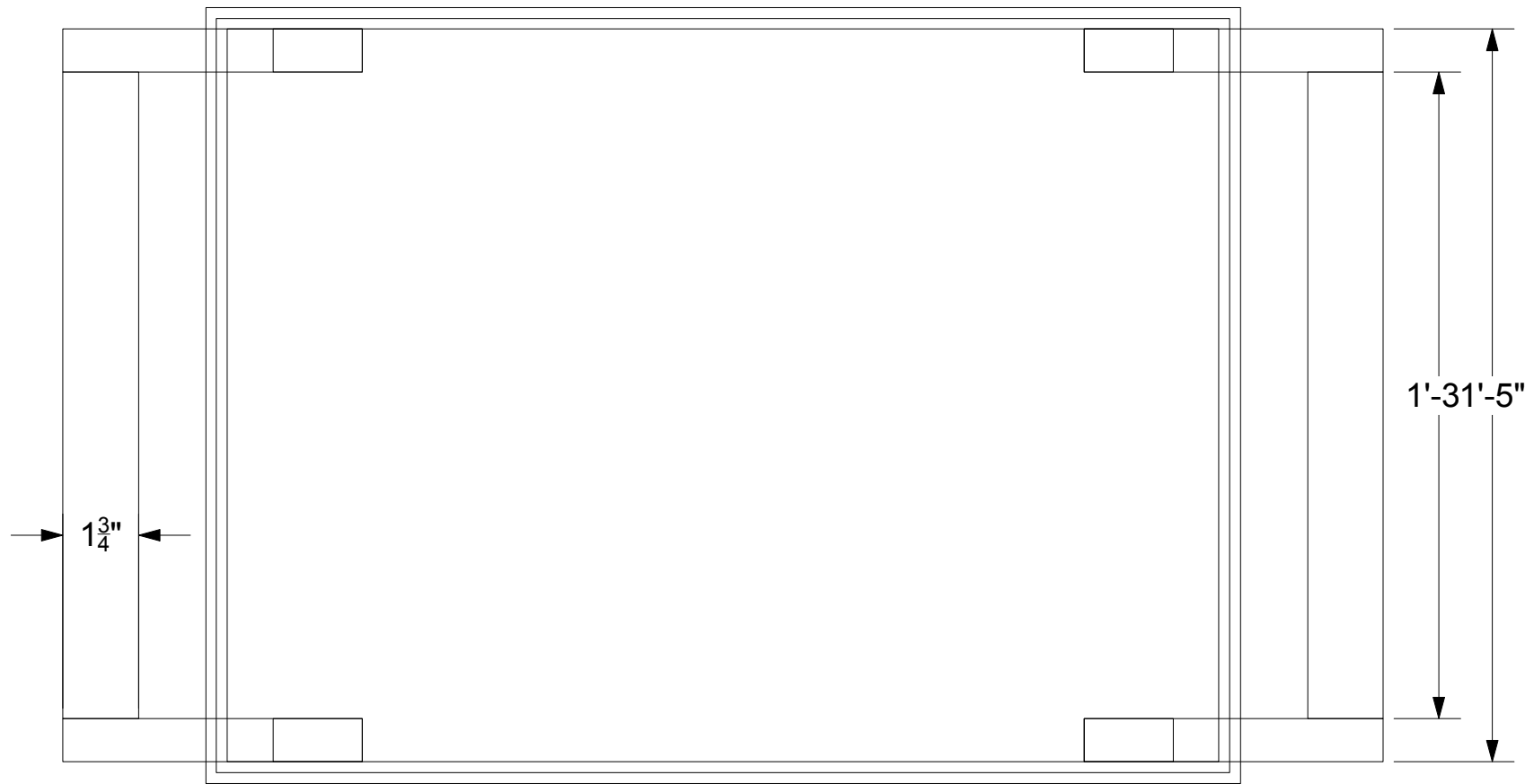
2 Winch Drum Assembly
12 Scale: 3"=1'-0"

Build 1 From CNC cut 3/4" Ply, Luan, and Curtain Rod.
Glue and Screw drum assembly, DO NOT Glue to shaft.

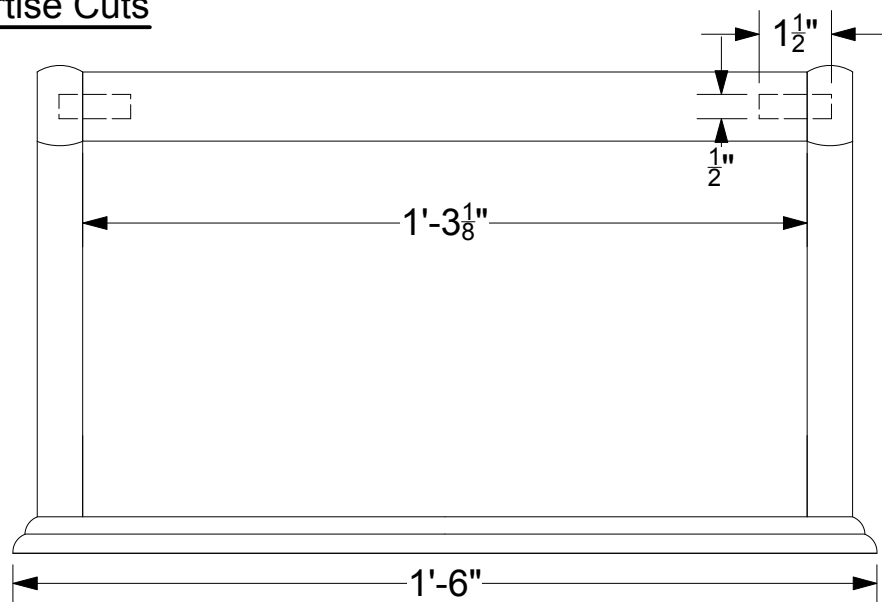
Production Title		Arabian Nights	
Drawing Title		Winch Drum	
Designer	Jay I.	Director	Alice Berry
Drawn By	A. Mayer	Scale	As Noted
Vendor	University of Memphis	Drawing No.	12
Date	4/1/12		of
CAD File Name			?



1
13 Seat Top View: Mortise Cuts
Scale: 3"=1'-0"



2
13 Seat Top View
Scale: 3"=1'-0"



3
13 Side View
Scale: 3"=1'-0"

Build 1 From CNC cut parts,
1/2" Dowel Rod, and Curtain Rod.
Glue All.

Production Title		Arabian Nights	
Drawing Title		Throne Seat	
Designer	Jay I.	Director	Alice Berry
Drawn By	A. Mayer	Scale	As Noted
Venue	University of Memphis	Drawing No.	13
Date	4/1/12		_____ of _____
CAD File Name			?