



# LED TUNNEL/FLOOR LIGHTS



## Features

- ✓ IP65 water proof rating, safe anywhere
- ✓ Internal driver, plug-and-play
- ✓ Multiple illumination angles
- ✓ DLC/UL/CE listed, FCC compliant
- ✓ Soft, uniform, daily light
- ✓ Instantly reaches full brightness

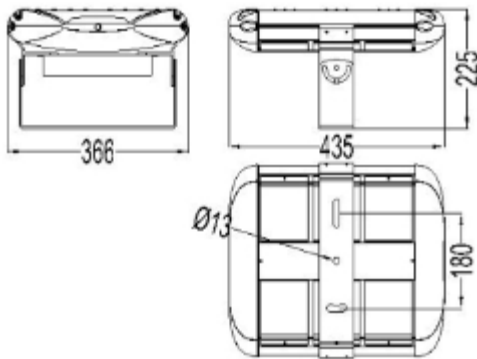
## Benefits

- ✓ Diverse applications, indoor and outdoor
- ✓ Big energy savings, service free
- ✓ Easy to install and operate
- ✓ 50,000 hour DLC's rated life
- ✓ 5 year manufacturer warranty
- ✓ Energy Efficiency Rebate eligible

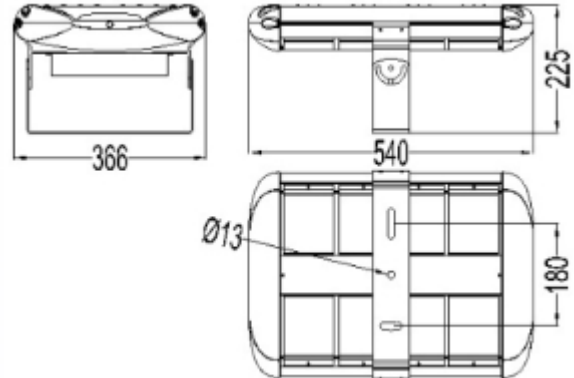
## Specifications

Item Number	Voltage	Power	Lumens
SNC-NL-xxxS2-H03	85 – 300 VAC	100/300W	10,500/31,500 LMs
Product Lifetime	Color Temperature	Power Factor	Luminous Efficacy
50,000 Hours	4,000 - 6,500K	>0.95	105 LMs/W
Operating Temp.	DLC Listed Brand	UL Certif. Number	More Product Options
-20°C to 45°C	SNC	E468128	Available upon request

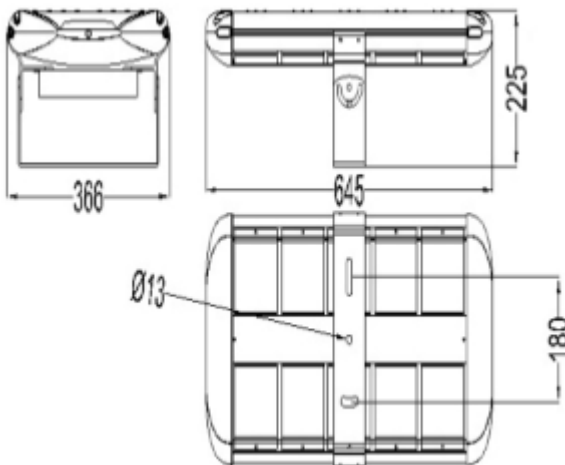
# LED Tunnel/Floor Lights Installation Datasheet



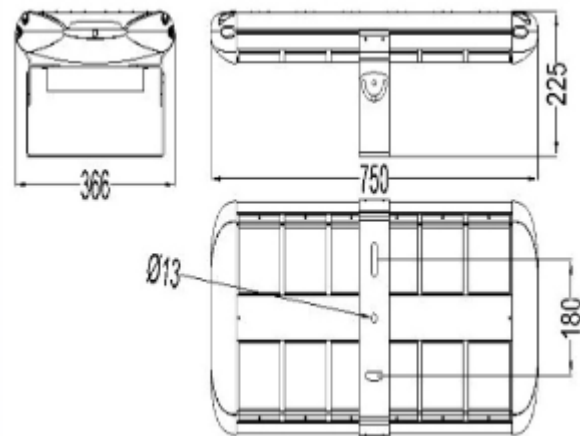
SNC-NL-150



SNC-NL-200



SNC-NL-250



SNC-NL-300

## Notice:

- Require a professional to install the lights.
- Turn off power before installation or any services.
- Make sure the power input voltage match to the product's and all wiring connections must be well insulated.