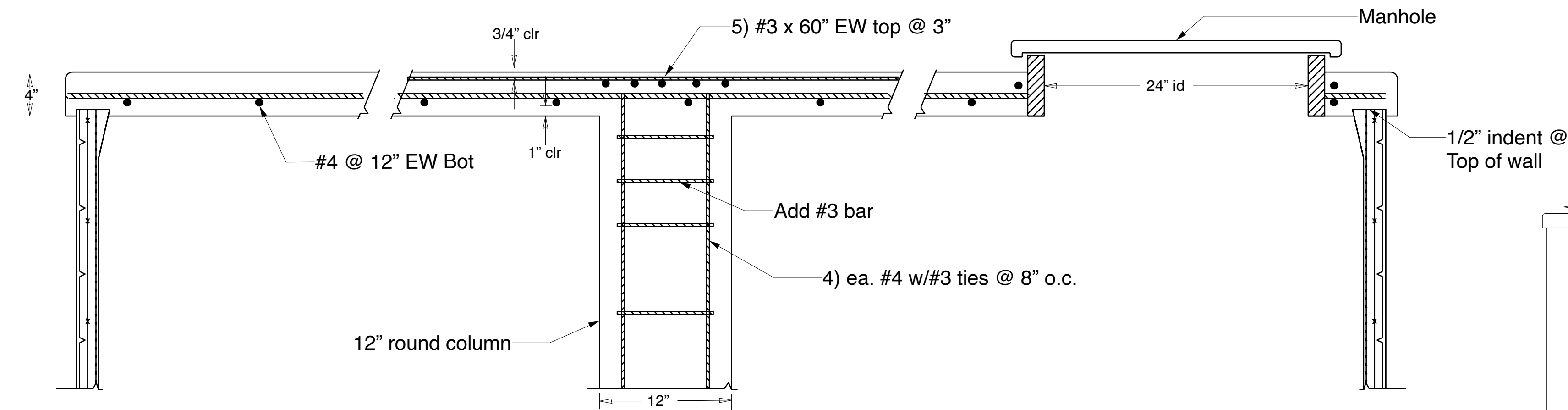
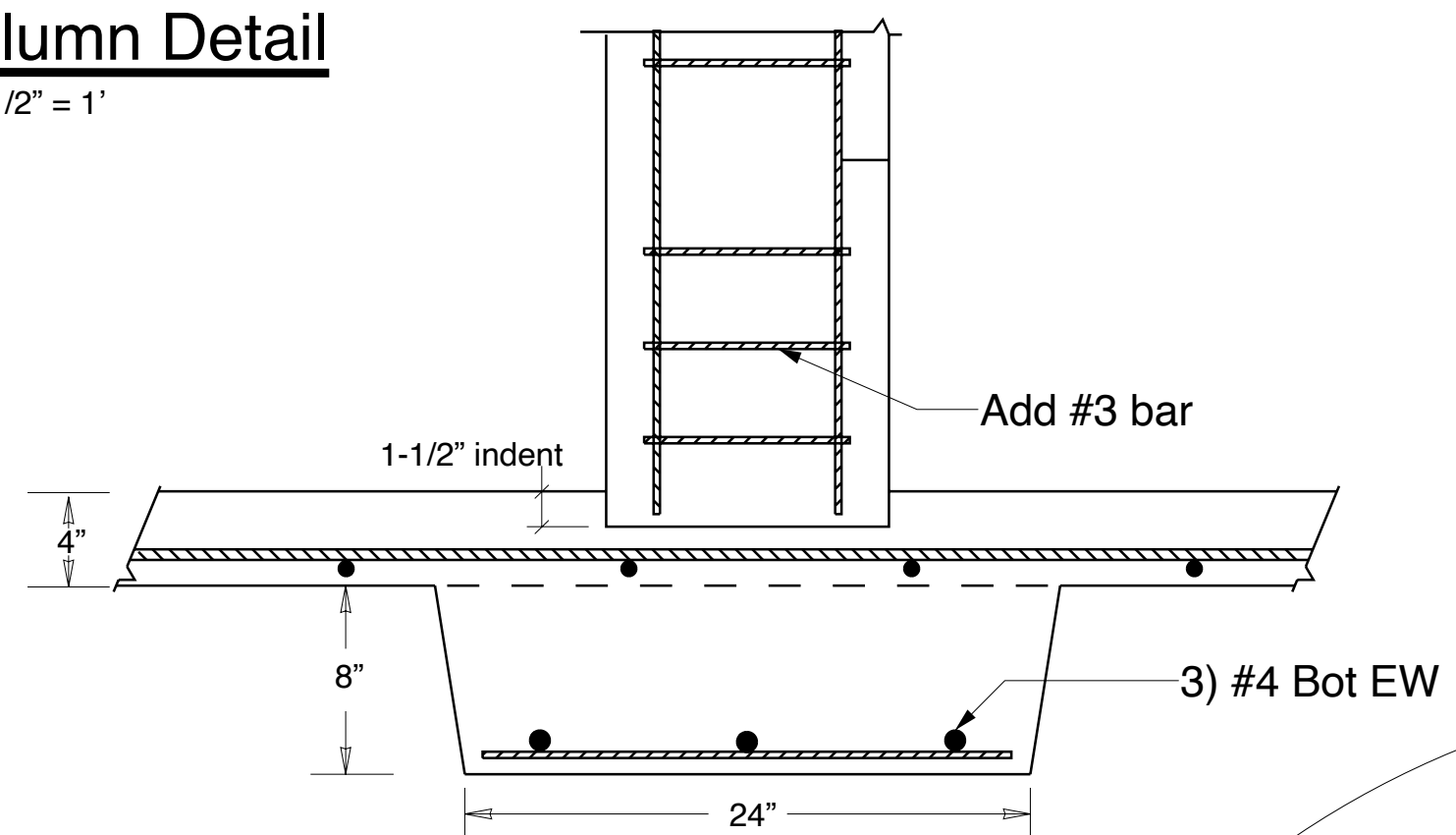


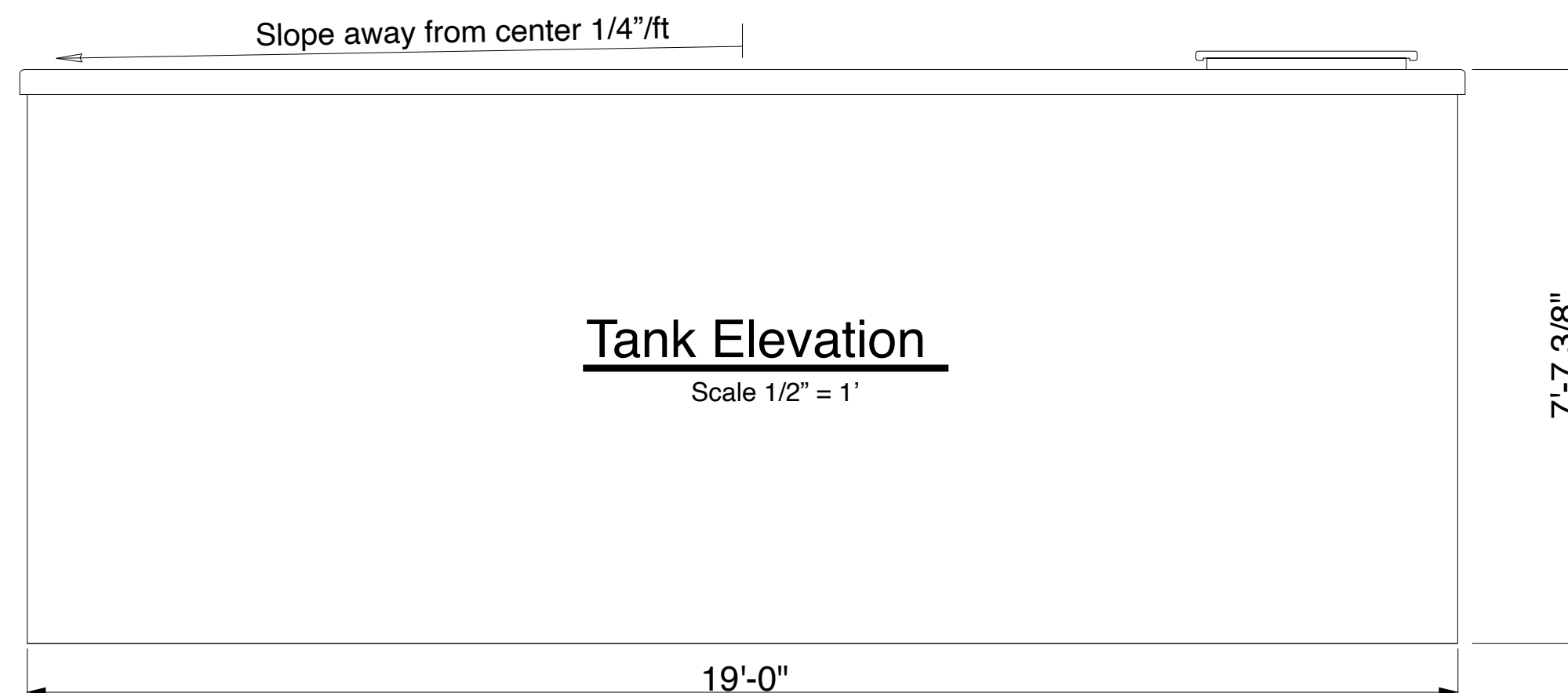
Pacific Gunite  
 Box 421  
 Mt. View, HI  
 96771  
 808-968-6059



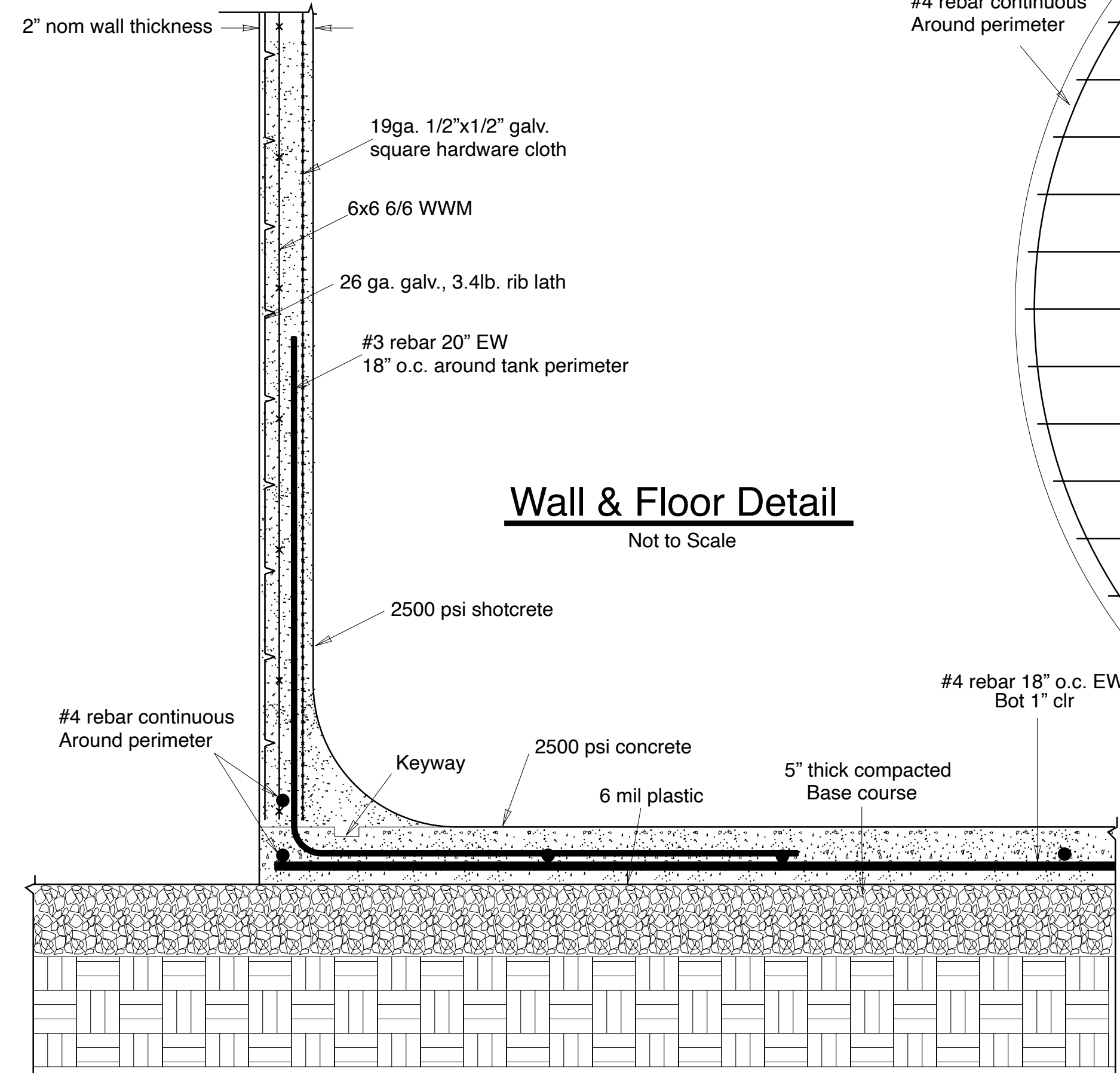
**Cover & Column Detail**  
 Scale 1-1/2" = 1'



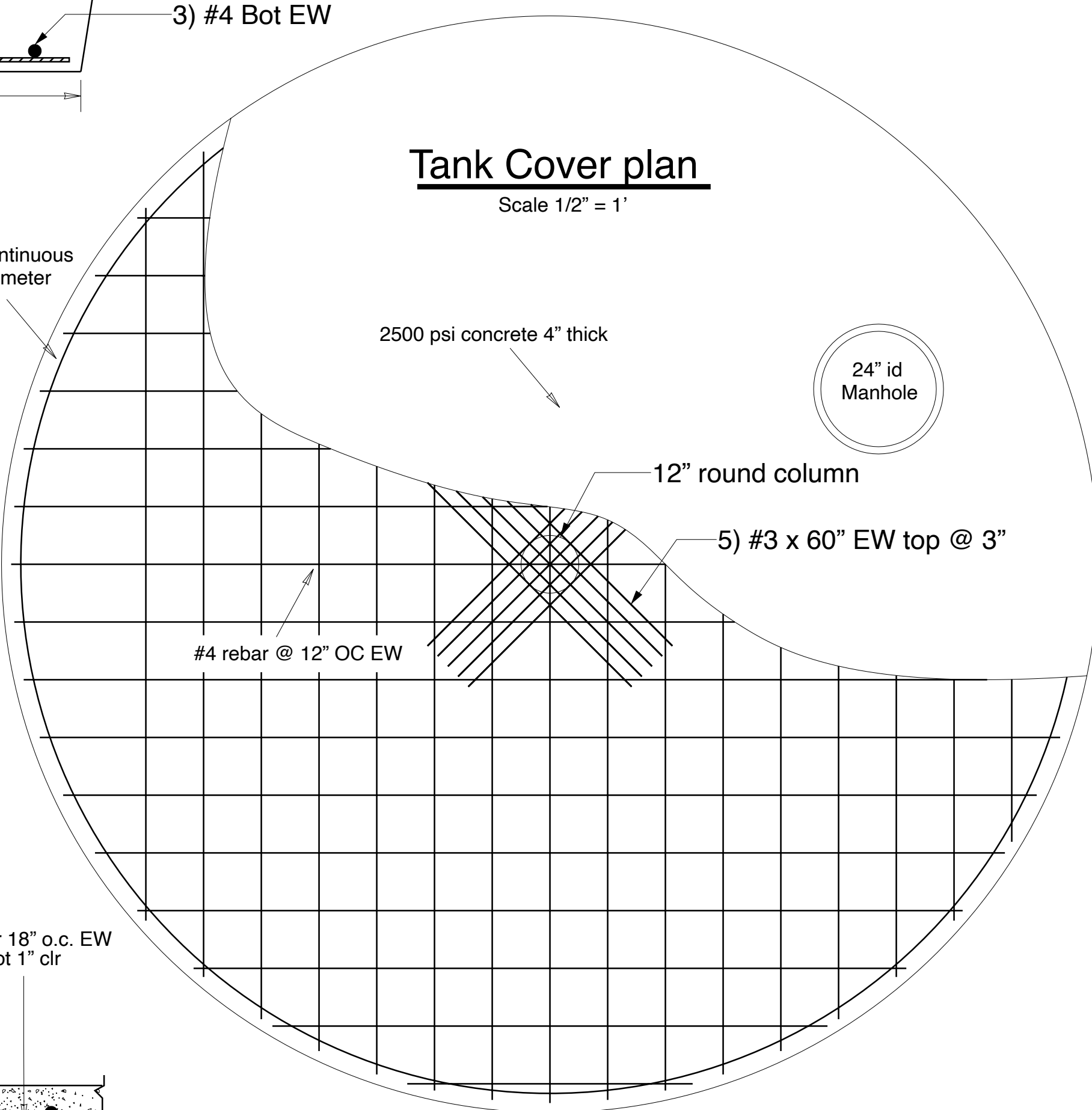
- Notes:**
1. Tank interior to be coated with NSF approved, cement based crystalline waterproofing (Tamm's Hey-di K-11 or equal).
  2. Tank exterior to be coated with cement based sealer (Masterseal or equal).
  3. All plumbing runs under floor in concrete jacket.
  4. Tank can be buried with max 12" soil over cover.



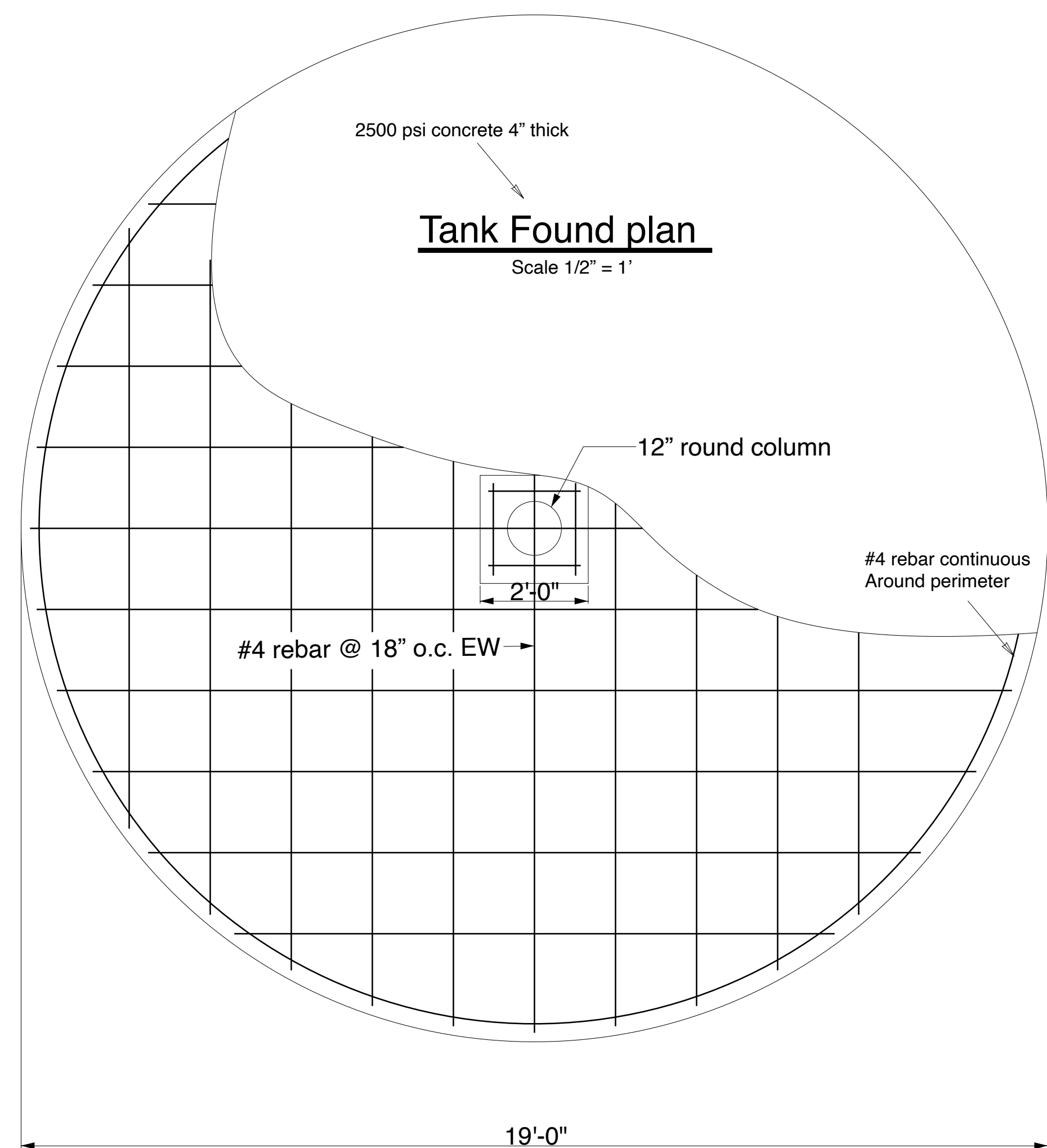
**Tank Elevation**  
 Scale 1/2" = 1'



**Wall & Floor Detail**  
 Not to Scale



**Tank Cover plan**  
 Scale 1/2" = 1'



**Tank Found plan**  
 Scale 1/2" = 1'

15,000 Gallon  
 Ferrocement  
 Water Tank

December 2021