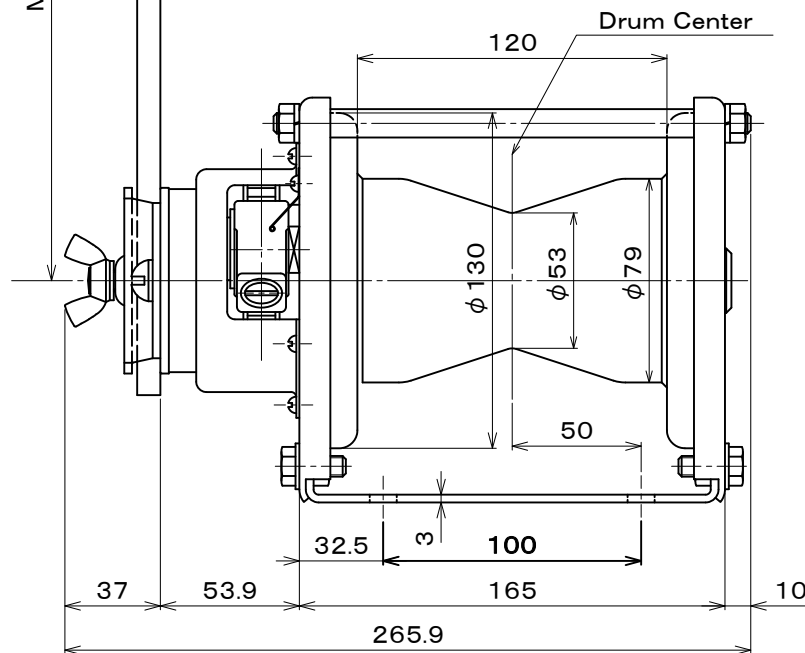


| Specifications | | | | (The wire rope composition is a manufacturer recommendation.) |
|----------------------------------|-----------------------|----------------------|---|--|
| Load Rating Wire Rope Tension | 980N(=100kgf) | Handle Force | Handle Length 250mm Wire Rope Tension 980N | 122N(=12.4kgf) |
| Wire Rope Diameter | φ5mm(6×19), JIS | Standard Accessories | | One Handle |
| Gear Ratio | 1/1 | Painting | | Melamine Resin Coating At Two Layers Painting Color Drum : Black (Munsell N1 Semi Gloss) Others : Munsell 7.5YR6/11 |
| Effective Handle Length | 250mm (Maximum) | | | |
| Weight | 8.9kg(Winch + Handle) | | | |

※Model MC winch is designed only for horizontal pulling.
Never use this winch for vertical lifting.
It may result in serious accident and breakage of the winch.



| | | | | | | | | | | | | |
|---------------|--|--|---|-----------------------------------|------------------------|---|--------------------------------|----------------|-----------|---------------|-------------|---------------|
| △ x | | | 図面番号 / DRAWING No. MC1-160809-01E | 改訂番号 REVISION No. 00 | お客様 / CUSTOMER | 符号 MARK | 項目 PARTICULARS | 材料 MATERIAL | 数量 QTY | 単体 PER ONE | 合計 TOTAL | 備考 REMARKS |
| △ x | | | 承認 / APPROVED | 検図 / CHECKED | 作成 / DRAWN | 図面名 / TITLE | 投影法 / PROJECTION METHOD | | | | | |
| △ x | | | 設計部 '16.08.09 米澤 | 設計部 '16.08.09 松嶺 | 設計部 '16.08.09 武松 | MAXPULL WINCH CAPSTAN TYPE MODEL MC-1 | 第三角法 THIRD ANGLE PROJECTION | | | | | |
| △ x | | | | | | | 尺度 / SCALE | 台数 / QTY | | | | |
| 改訂 / REVISION | | | | | | | | | | | | |

