

Adaptors

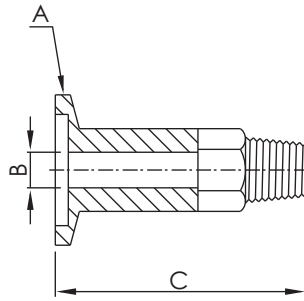


Figure 1

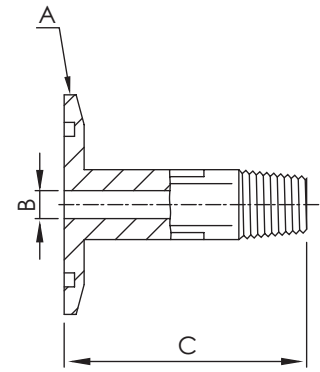


Figure 2

KF FLANGES to MALE NPT ADAPTORS

*Material: SS 304L

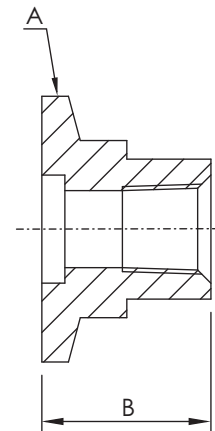
Part Number	Size	A	B	C	Figure
AD-NPTM-KF16x012	KF16-1/8" NPT	KF16	4.70	40.00	1
AD-NPTM-KF16x025	KF16-1/4" NPT	KF16	7.10	50.00	1
AD-NPTM-KF25x012	KF25-1/8" NPT	KF25	4.70	40.00	2
AD-NPTM-KF25x025	KF25-1/4" NPT	KF25	7.10	50.00	2
AD-NPTM-KF25x050	KF25-1/2" NPT	KF25	11.90	75.00	2
AD-NPTM-KF25x075	KF25-3/4" NPT	KF25	15.90	75.00	2
AD-NPTM-KF40x025	KF40-1/4" NPT	KF40	7.10	50.00	2
AD-NPTM-KF40x050	KF40-1/2" NPT	KF40	11.90	75.00	2
AD-NPTM-KF40x075	KF40-3/4" NPT	KF40	15.90	75.00	2
AD-NPTM-KF50x025	KF50-1/4" NPT	KF50	7.10	50.00	2
AD-NPTM-KF50x050	KF50-1/2" NPT	KF50	11.90	75.00	2
AD-NPTM-KF50x075	KF50-3/4" NPT	KF50	15.90	75.00	2

KF FLANGES to FEMALE NPT ADAPTORS

*Material: SS 304L



Part Number	Size	A	B
AD-NPTF-KF10x012	KF10-1/8" NPT	KF10	19.10
AD-NPTF-KF10x025	KF10-1/4" NPT	KF10	19.10
AD-NPTF-KF16x012	KF16-1/8" NPT	KF16	19.10
AD-NPTF-KF16x025	KF16-1/4" NPT	KF16	19.10
AD-NPTF-KF25x012	KF25-1/8" NPT	KF25	19.10
AD-NPTF-KF25x025	KF25-1/4" NPT	KF25	19.10
AD-NPTF-KF25x038	KF25-3/8" NPT	KF25	19.10
AD-NPTF-KF25x050	KF25-1/2" NPT	KF25	25.40
AD-NPTF-KF40x012	KF40-1/8" NPT	KF40	25.40
AD-NPTF-KF40x025	KF40-1/4" NPT	KF40	25.40
AD-NPTF-KF40x050	KF40-1/2" NPT	KF40	25.40
AD-NPTF-KF40x075	KF40-3/4" NPT	KF40	25.40
AD-NPTF-KF50x012	KF50-1/8" NPT	KF50	25.40
AD-NPTF-KF50x025	KF50-1/4" NPT	KF50	25.40
AD-NPTF-KF50x050	KF50-1/2" NPT	KF50	25.40
AD-NPTF-KF50x075	KF50-3/4" NPT	KF50	25.40



AD