

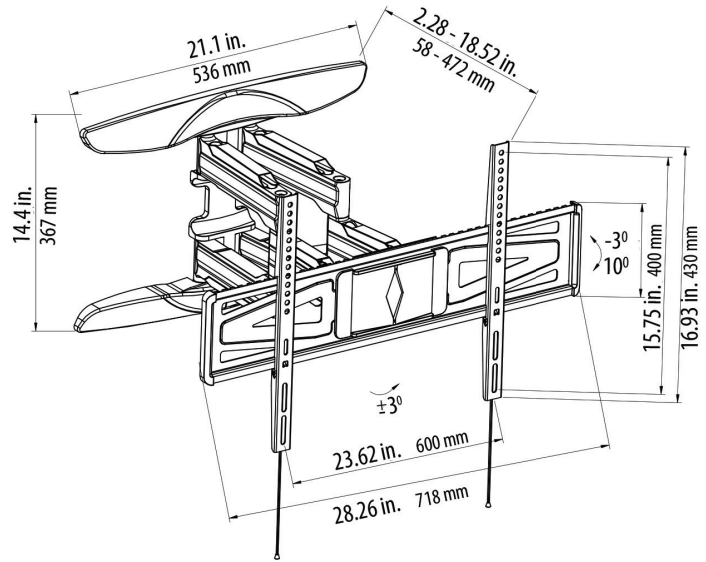
Apollo Weatherproof Mount Selections

Mounts available for 39- to 75-inch Apollo Enclosure Models and Outdoor TVs

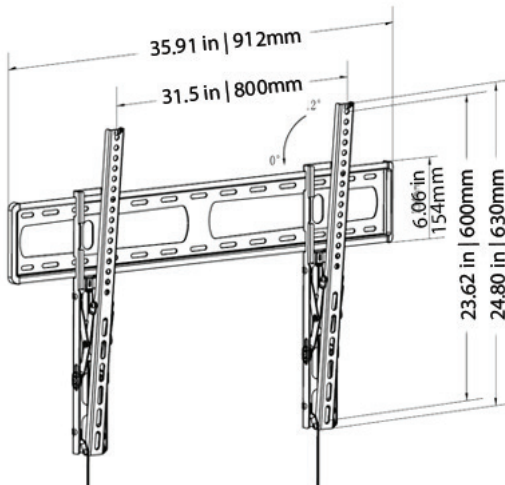
Apollo weatherproof full-motion wall mount, non-articulating wall mount, or adjustable-height ceiling mount are manufactured with weatherproof construction and stainless steel hardware.

AWM407 Full Motion Wall Mount - 39-75" Models

Description	Weather resistant high-grade aluminum dual arm, full-motion, tilting wall mount. Black.
Extension	2.3" to 18.5" (58.4 to 469.9 mm)
Tilt	Adjustable from -2° to 10°
Product Weight	23.7 lbs. (10.8 kg)
Shipping Weight	26.5 lbs. (12.0 kg)
Shipping Carton	30" H x 16.6" W x 3.7" D (762 x 421.6 x 94 mm)



OR



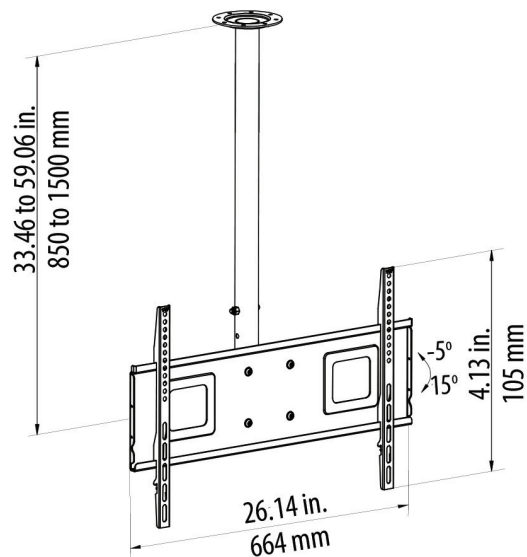
WM607NA Non Articulating Wall Mount - 39-75" Models

Description	Weather resistant non-articulating wall mount with stainless steel hardware, Black.
Tilt	Adjustable from 0° to 12°
Mount Weight	11.02 lbs. (5.0 kg)
Shipping Weight	12.13 lbs. (5.5 kg)
Shipping Carton	36.93" H x 6.61" W x 1.97" D (938.02 x 168 x 50mm)

OR

CM307 Ceiling Mount for 39 to 65-inch Models

Description	Weather resistant adjustable height, tilting and swivel ceiling mount with ceiling plate. Black.
Extension	33.5" - 59" (850 to 1500mm)
Tilt	-5° to 15°
Product Weight	14.65 lbs. (6.7 kg)
Shipping Weight	15.85 lbs. (7.2 kg)
Shipping Carton	33.9" H x 8-1/2" W x 4.6" D (861.1 x 215.9 x 116.8 mm)



www.apolloenc.com | 888.414.5919

Copyright 2017 Apollo Enclosures, All rights reserved

Rev 170107