



by Honeywell

SL-DAA Series

Description

The SL-DAA Series Smoke Duct Detector is the latest analog addressable innovation for early detection of smoke and products of combustion present in air moving through HVAC ducts in Commercial, Industrial, and Residential applications. The unit is designed to prevent the recirculation or spread of smoke by air handling systems, fans, and blowers. Complete systems may be shut down via the building's fire alarm control panel (FACP) in the event of smoke detection. The SL-DAA is designed and built to meet all local code requirements, as well as the NFPA and ICC standards regarding HVAC supply and return duct smoke detectors. Output terminals are provided for a remote alarm indicator accessory.

The SL-DAA includes many features that represent true innovations from current generation duct smoke detectors. Our traditional installer/maintenance-friendly approach has been closely followed and expanded throughout the SL-DAA. This philosophy provides a new level of efficiency in after-purchase value to both the installer/maintenance and end-user. Our attention to detail has yielded a host of "No-Tools Required" features, as well as a multi-application performance level as yet unmatched in the industry. The key features below detail many of the customer-driven innovations incorporated in the SL-DAA Series. Innovative product combined with unsurpassed customer service equals the right combination for all of your projects.

Engineers & Architects Specifications

The following items list the Engineers and Architects specifications.

- Air duct smoke detectors shall be Air Products and Controls Inc. SL-DAA Series. For ionization detectors the model number is SL-DAA-N.
- For photoelectric detectors the model number is SL-DAA-P. The detectors shall be listed by Underwriters Laboratories per UL 268A.
- The detectors shall operate at air velocities from 100 feet per minute to 4,000 feet per minute and at temperatures of no greater than 140° F (60° C).
- Visual indication of alarm must be provided on the detector.
- Air handling unit shut down shall be accommodated via the associated FACP.
- Detector head shall not require additional filters or screens which must be maintained.

Analog Addressable Duct Detectors (Hi-Temp, Low-Flow & No-Tools)



SL-DAA Series

Features

- Low-Flow Technology: Both Ionization and Photoelectric models listed for velocities between 100-4000 ft./min
- Both Ionization and Photoelectric models listed for high temperature-applications
- Units supplied with slide-in XPERT Card for easy device addressing
- Patent pending "No-Tools Required" front or rear loading and removing sampling/exhaust tubes
- Patent pending "Test Port Valve" allows for aerosol smoke testing without cover removal
- Clear cover fitted with four captive "No-Tools Required" thumb-screws
- Instantaneous cover removal trouble indication
- Vertical terminal block for easier wiring
- Steady red LED on detector head indicates alarm
- More wiring space than competitive models
- Footprint allows easy retrofit in many applications without additional drilling
- Duct wall gaskets on back of enclosure are pre-installed
- Compatible with the WP-2000 weatherproof enclosure
- External mounting tabs do not require cover removal to install
- Colored cover gasket indicates proper cover seal



UL268A,
UROX, UROX7
File #:S2829



MEAs
73-92-E 3240:1004:0115
Vol. 35



GAMEWELL-FCI

12 Clintonville Road, Northford, CT 06472-1610 USA • Tel: (203) 484-7161 • Fax: (203) 484-7118

Specifications are for information only, are not intended for installation purposes, and are subject to change without notice. No responsibility is assumed by Gamewell-FCI for their use.

Engineers & Architects Specifications (Continued)

- The housing shall contain a detector base which will accept photoelectric or ionization detector heads as well as a means of detector addressing.
- Terminal connections shall be of the screw type, a minimum of #6 screw (#12 to #22 AWG compatible). Terminals shall be provided for remote alarm indication. All wiring must comply with local codes and regulations.
- A method of smoke testing the detector without removing the cover must be provided.
- All unit and remote accessory connection designations must be permanently affixed to the unit.
- Cover and sampling/exhaust tube installation or removal must not require the use of tools.
- Sample and exhaust tubes shall be capable of removal/installation from the front and/or rear of the detector for inspection/maintenance.

Wiring

WIRING

Terminal Connections

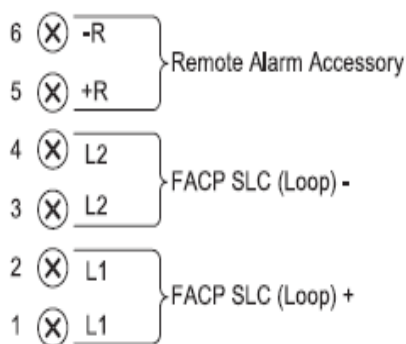


Figure 1 Terminal Connections

Specifications

Detector Compatibility:	FACP using Apollo XP95 and/or Discovery protocols
Air Velocity:	100 to 4,000 ft./min.
Ambient Temperature:	
SL-DAA-N	32°F to 150°F (0°C to 66°C)
SL-DAA-P	32°F to 140°F (0°C to 60°C)
Humidity:	10 - 95% RH Non-Condensing / Non-Freezing
Wiring:	Solid or stranded: #12 to #22 AWG terminals
Radioactive Element:	For SL-DAA-N (Ionization) Americium 241; 0.9 Micro-Curie Do not expose to corrosive atmospheres
Hardware	7" exhaust tube, sampling tube end cap, mounting template & mounting hardware included
Material	Grey plastic backbox, clear plastic cover (Makrolon 94V-0)
Dimensions:	13 1/2" L x 4 1/2" W x 2 1/4" H
Max. Net Weight	2 lbs.

Features (Continued)

- Compact, lightweight size means easy handling,
- lower shipping costs
- Large terminal connection screws
- XP95A interchangeable "plug-in" UL268 photoelectric or ionization heads
- Advanced detector head design yields internal dust filtering
- No additional screens or filters to clean
- Compatible with fire alarm systems utilizing Apollo XP95 and/or Discovery protocol
- Ionization and Photoelectric versions available
- Complete wiring details permanently attached to unit

Remote Accessory Wiring

Remote Accessory Wiring

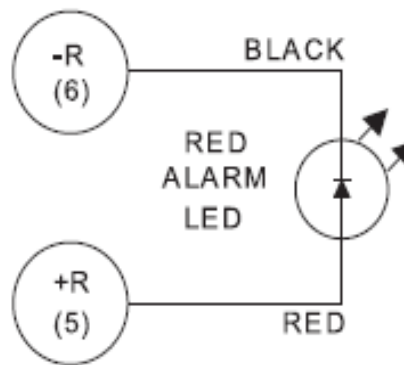


Figure 2 Remote Accessory Wiring

Ordering Information

Part Number	Description
SL-DAA-N	Ionization
SL-DAA-P	Photoelectric
Sampling Tubes	
STN-1.0	Sampling tube for 12" or less duct width
STN-2.5	Sampling tube for 6" to 2.5' duct width
STN-5.0	Sampling tube for 2.5' to 5.0' duct width
STN-10.0	Sampling tube for 5.0' to 10.0' duct width

GAMEWELL-FCI