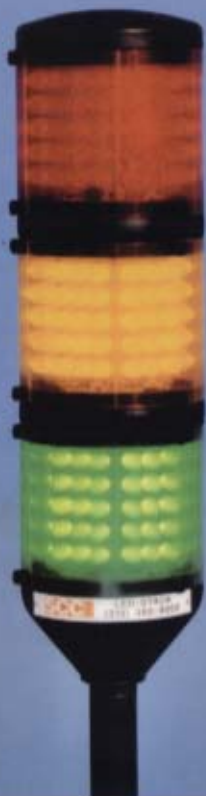


SERIES 4000

LED-STACK



Description...

This "Stacked" light product is a machine status indicator that provides an alert to personnel within 200 feet of a process. The SCC 4000 is designed to replace the use of outdated incandescent light indicators with an LED based product. The life of the SCC "LED-STACK" is 50,000 hours of operation versus the 2,000 hours expected from incandescent bulbs. In contrast to incandescent Stack Lights, which are off when a bulb burns out, the SCC LED-STACK provides partial illumination if a LED fails. The SCC unit ties directly to solid state outputs from PLC's, Robots or other Controllers. The LED-STACK simply shows the on or off status of the Output that it is connected to.

Specifications...

Mounting: 3/4 inch NPT Conduit

Colors: Red, Yellow, Green

Power Usage: .25 Amp at 24 VDC or .05 Amp at 120VAC per Section

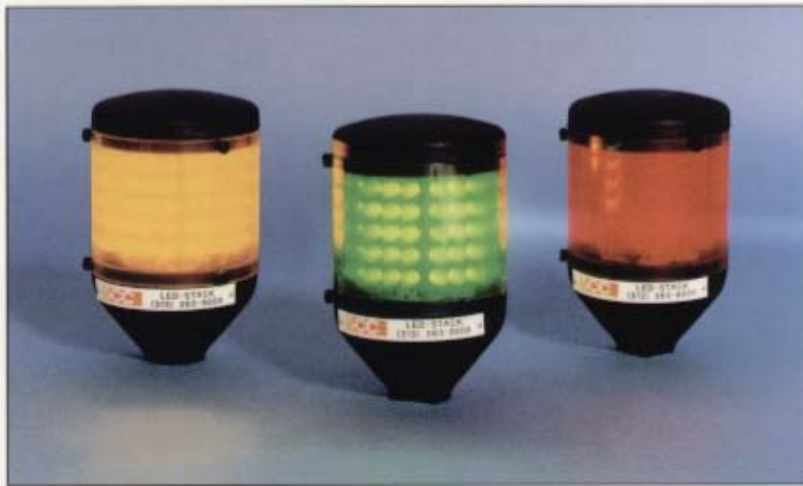
Wiring: Each Section pre-wired with 2 wires, 10 feet long

Dimensions: Shown on back page

Weight: 1.2 lbs. Base and Top, 1 lb. Section

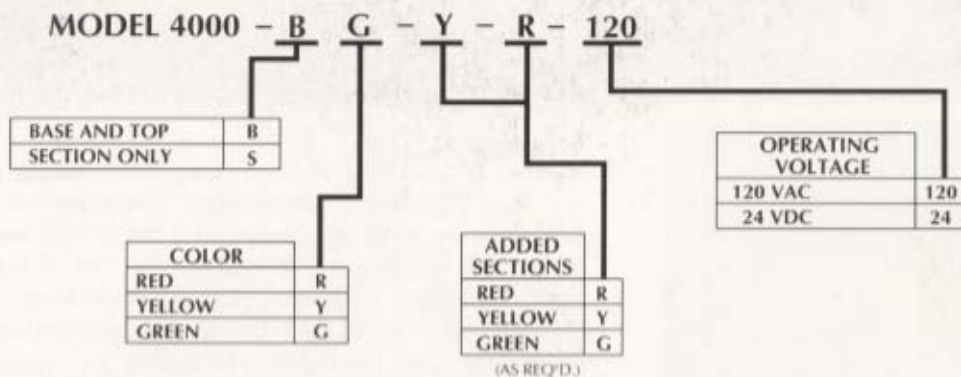
Features...

- Low Maintenance
- Easy Mounting
- Simple Control
- Stackable
- No Loose Hardware
- Low Energy Use



How to order...

For correct ordering, a base unit is ordered with the correct color and voltage requirements. Then, additional sections with the desired colors are added. An assembly may be stacked together in the field or ordered as complete assembly, which is built at the factory. The required mounting hardware is included with the Base or Section that is ordered. The installer needs to provide the 3/4 inch conduit for mounting the LED-STACK.



Examples...

SINGLE UNIT 4000-BR-24	ONE SECTION WITH BASE UNIT, RED, 24 VDC OPERATION
PRE-ASSEMBLED MULTI-SECTION 4000-BG-Y-R-120	THREE SECTIONS WITH BASE UNIT GREEN, MIDDLE-YELLOW, TOP-RED, 120VAC OPERATION

To specify a pre-assembled unit, start with the Base unit and then add the sections in the order you would like them built from the bottom to the top.

Wiring...

Each Section has two ten foot leads.

SECTION COLOR	120 VAC			+	24 VDC		
	RED	YELLOW	GREEN		RED	YELLOW	GREEN
WIRE "A"	RED	RED/YELLOW	RED/GREEN		BLUE/RED	BLUE/YELLOW	BLUE/GREEN
WIRE "B"	RED	RED/YELLOW	RED/GREEN	-	BLUE	BLUE	BLUE

Dimensions...

