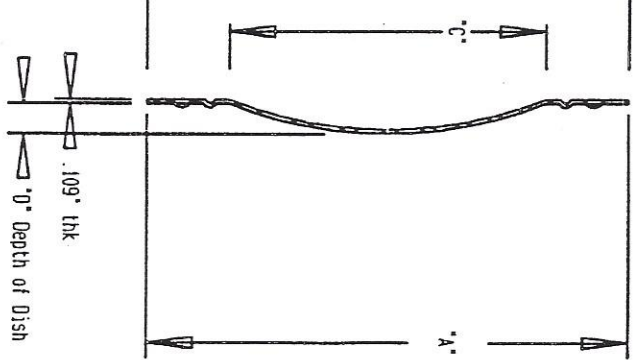
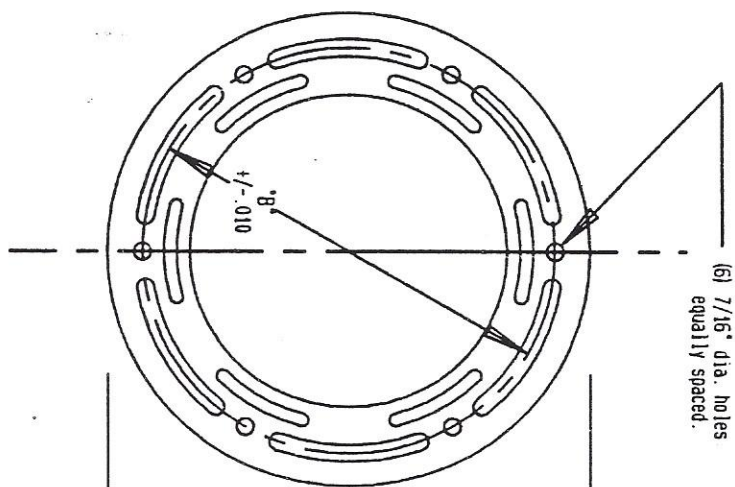


(6) 7/16" dia. holes
equally spaced.



Notes :

	"A"	"B"	"C"	"D"	Olson #
1.) L-867 12" Nom. O.D.	12"	10.25	7.875	.625	1278L
L-867 16" Nom. O.D.	16"	14.25	11.125	.750	1678L

2.) Finish is oxide primer & aviation yellow enamel.

DRAWN BY : HC	TITLE : SOLID STEEL COVER PLATE	OLSON INDUSTRIES
CHKD. BY : SJ	MAT. SPEC. : CORTEN A588 STEEL	ALIKSON, KERRICK 68713
APPVD. BY : TO	NEXT ASSEM. IS :	PACKAGE NO. : 46.2
DATE : 03/05/90	UNLESS OTHERWISE SPECIFIED DIMENSIONS ARE IN INCHES	MODEL NO. : 78L
SCALE : NONE	FRACTIONS +/- DECIMALS +/-	PART NO. : SEE NOTE 1 ABOVE
		ANGLES +/-