

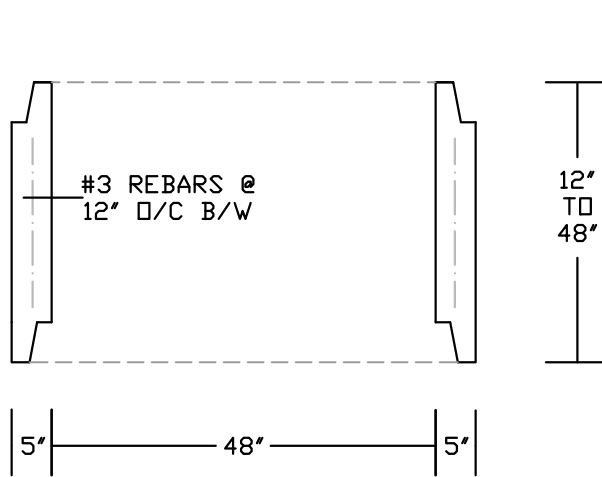
**PEERLESS CONCRETE PRODUCTS CO.**  
*SINCE 1959*

**INDEX**

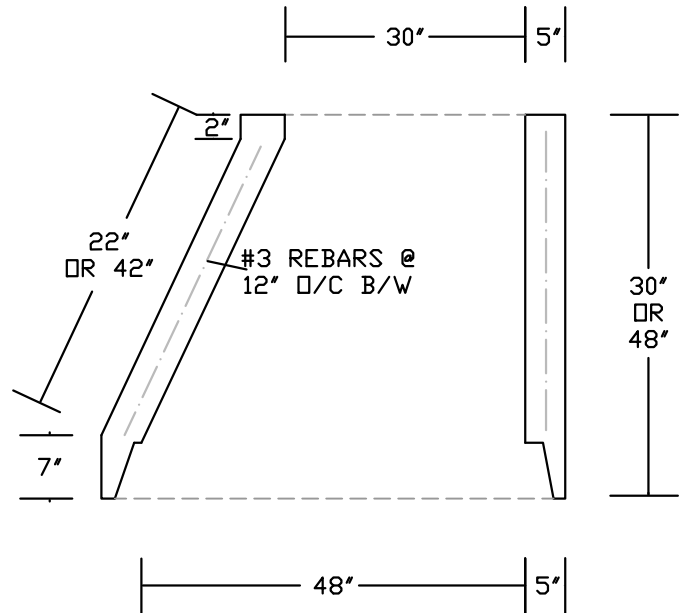
<b>ITEM</b>	<b>PAGE</b>
<b><u>Section D</u></b> - <i>Manholes (Index)</i>	D-1
48" Diameter Manhole Storm	D-2
48" Diameter Sanitary Manhole	D-3
60" Diameter Manhole	D-4
72" Diameter Manhole	D-5
6' X 6' Manhole with Top Slab	D-6
Conversion Slab Catch Basin to Manhole	D-7

# PEERLESS CONCRETE PRODUCTS CO.

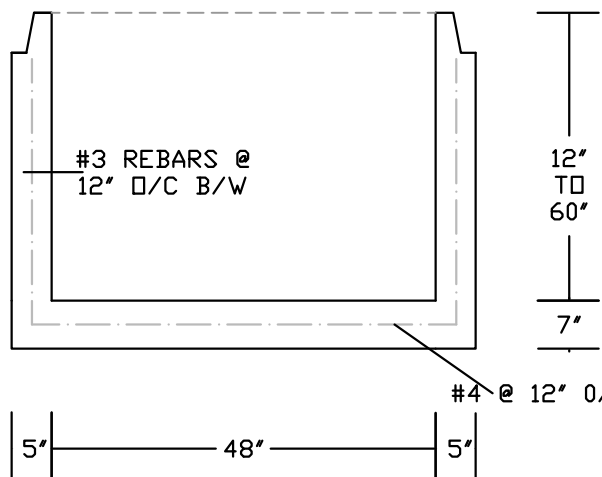
— SINCE 1959 —



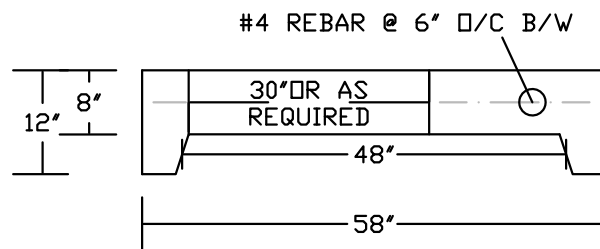
RISER SECTION



CONE SECTION



BASE SECTION



FLAT TOP

## 48" DIAMETER MANHOLE STORM

(AS BUILT BY PEERLESS)

### NOTES:

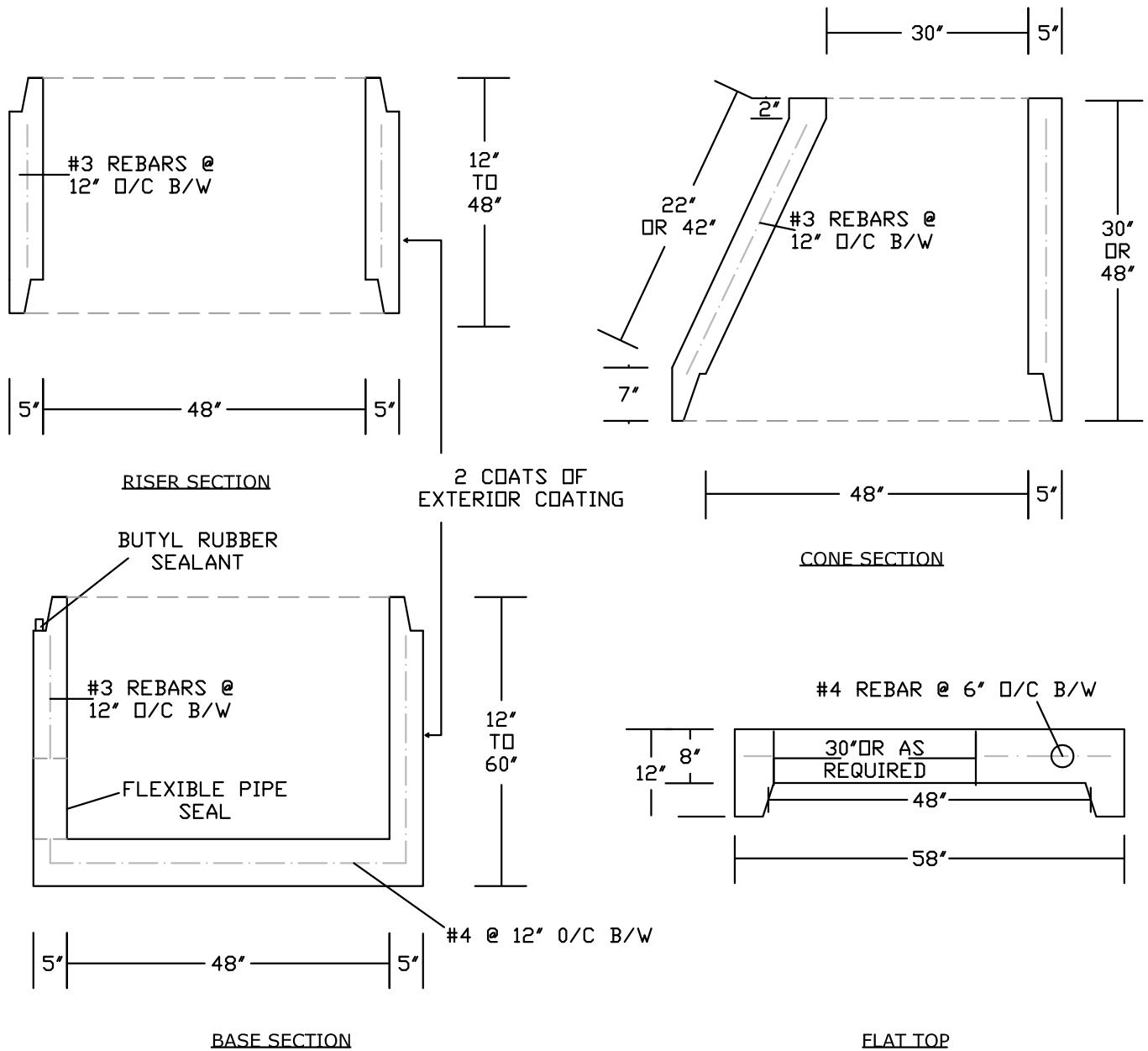
- LOAD RATING: HS-20
- CONCRETE 4,500PSI @ 28 DAYS
- REINFORCING: AS SPECIFIED,  
GRADE 60 REBAR
- SCALE: 1/2"=1'-0"

- MANUFACTURED IN ACCORDANCE  
WITH ASTM C-478
- STEPS: STEEL REINFORCED  
POLYPROPYLENE COATED, DOT APPROVED

**D-2**

# PEERLESS CONCRETE PRODUCTS CO.

—SINCE 1959—



## 48" DIAMETER SANITARY MANHOLE (AS BUILT BY PEERLESS)

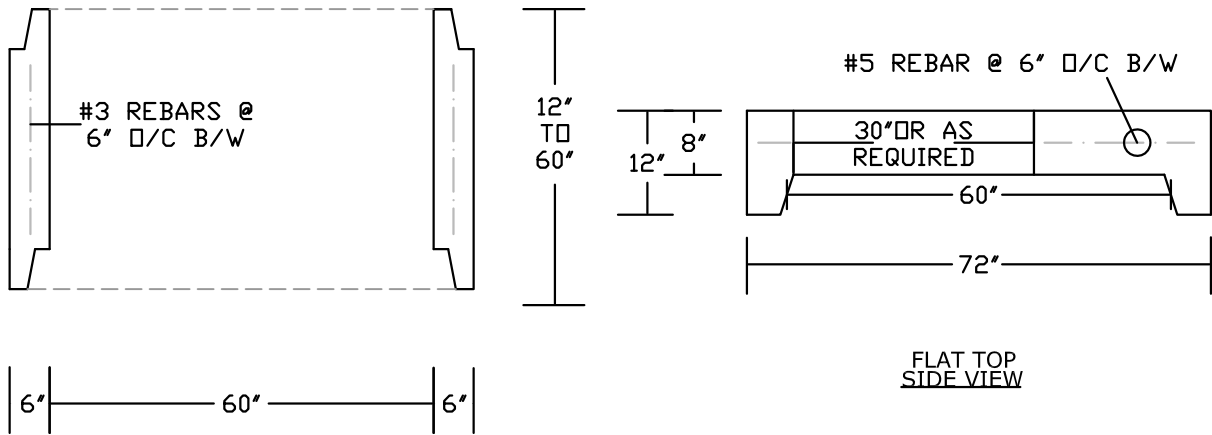
### NOTES:

- LOAD RATING: HS-20
- CONCRETE 4,500PSI @ 28 DAYS
- REINFORCING: AS SPECIFIED, GRADE 60 REBAR
- SCALE: 1/2"=1'-0"
- MANUFACTURED IN ACCORDANCE WITH ASTM C-478
- STEPS: STEEL REINFORCED POLYPROPYLENE COATED, DOT APPROVED

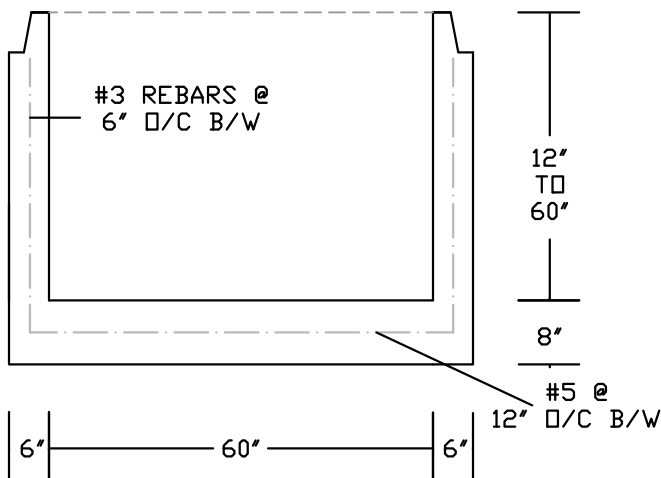
D-3

# PEERLESS CONCRETE PRODUCTS CO.

— SINCE 1959 —



RISER SECTION



BASE SECTION

FLAT TOP TOP VIEW

## 60" DIAMETER MANHOLE (AS BUILT BY PEERLESS)

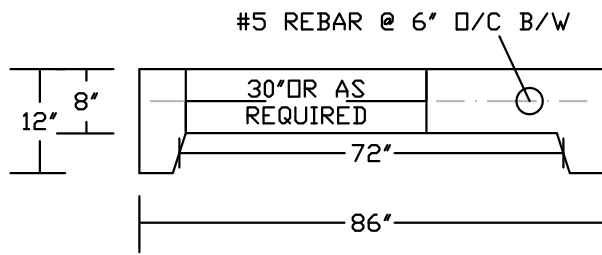
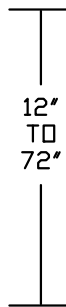
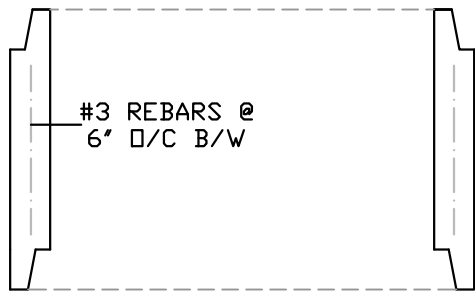
NOTES:

- LOAD RATING: HS-20
- CONCRETE 4,500PSI @ 28 DAYS
- REINFORCING: AS SPECIFIED, GRADE 60 REBAR
- SCALE: NTS
- MANUFACTURED IN ACCORDANCE WITH ASTM C-478
- STEPS: STEEL REINFORCED POLYPROPYLENE COATED, DOT APPROVED

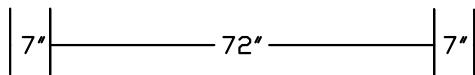
**D-4**

# PEERLESS CONCRETE PRODUCTS CO.

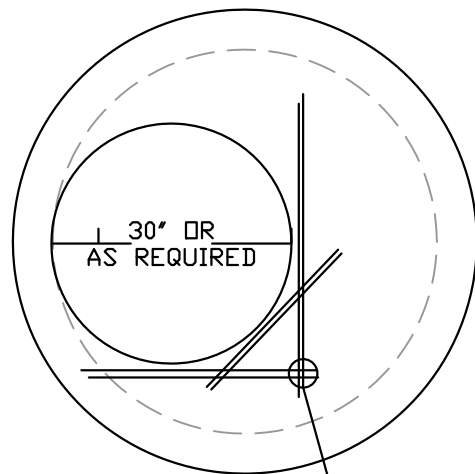
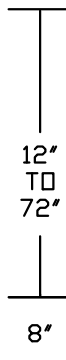
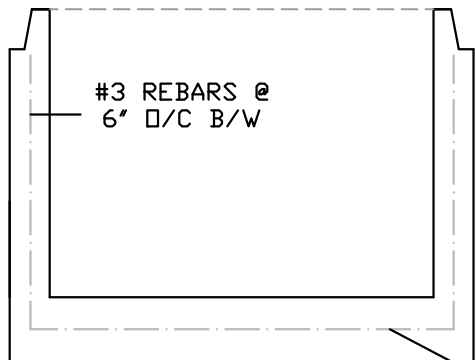
— SINCE 1959 —



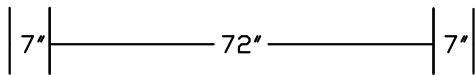
FLAT TOP  
SIDE VIEW



RISER SECTION



ADDITIONAL  
#5 REBAR (TYP.)



#5 @  
12" O/C B/W

FLAT TOP  
TOP VIEW

BASE SECTION

## 72" DIAMETER MANHOLE (AS BUILT BY PEERLESS)

NOTES:

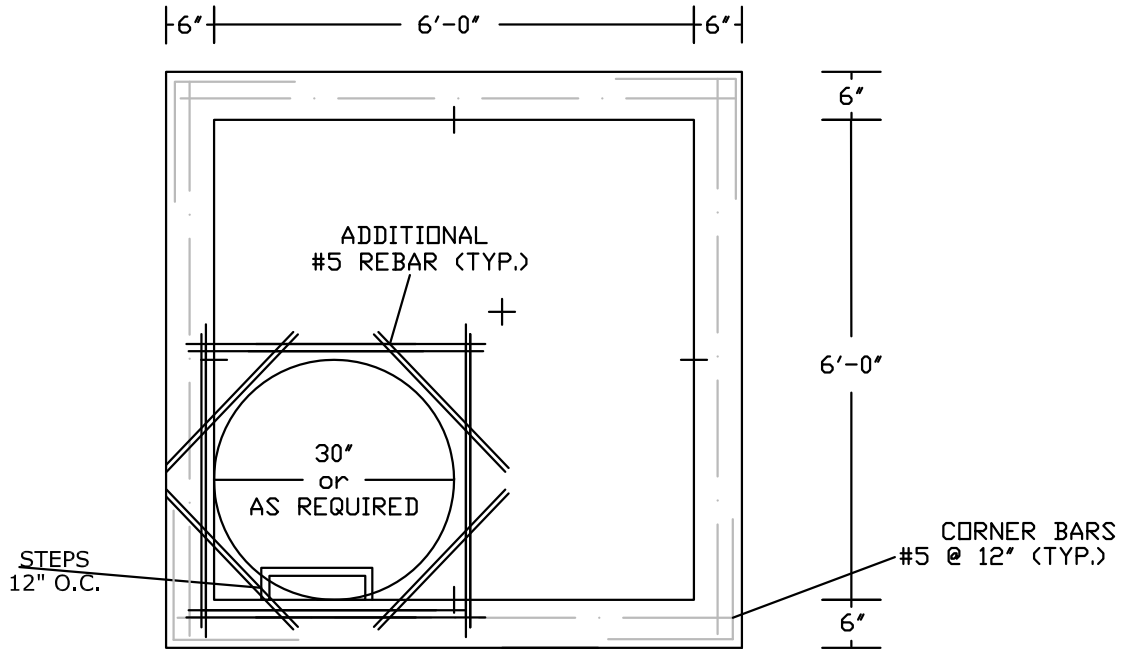
- LOAD RATING: HS-20
- CONCRETE 4,500PSI @ 28 DAYS
- REINFORCING: AS SPECIFIED,  
GRADE 60 REBAR
- SCALE: NTS

- MANUFACTURED IN ACCORDANCE  
WITH ASTM C-478
- STEPS: STEEL REINFORCED  
POLYPROPYLENE COATED, DOT APPROVED

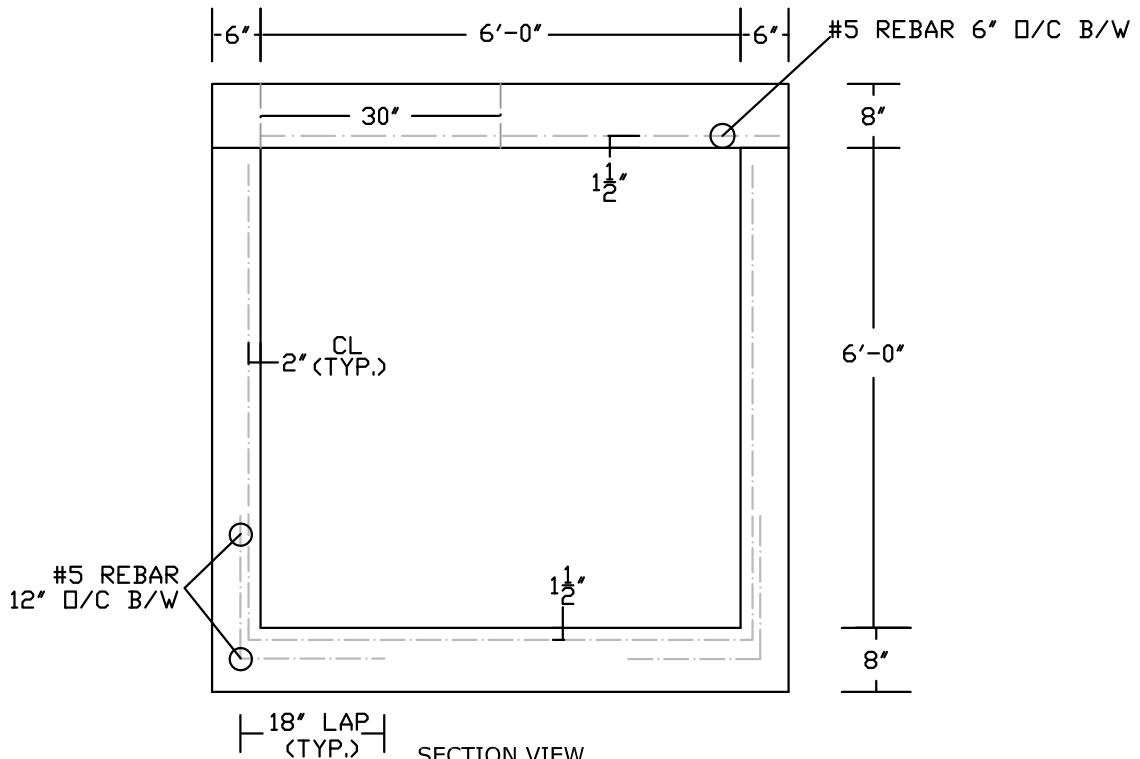
**D-5**

# PEERLESS CONCRETE PRODUCTS CO.

—SINCE 1959—



PLAN VIEW



SECTION VIEW

## 6' X 6' MANHOLE WITH TOP SLAB (AS BUILT BY PEERLESS)

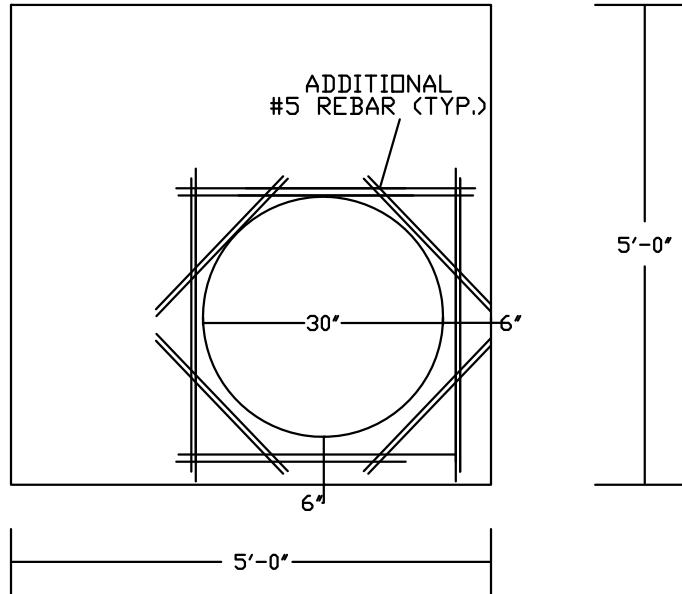
**NOTES:**

- LOAD RATING: HS 20
- CONCRETE 4,500PSI @ 28 DAYS
- REINFORCING: AS SPECIFIED, GRADE 60 REBAR
- STEPS: STEEL REINFORCED POLYPROPYLENE COATED, DOT APPROVED
- SCALE: NTS

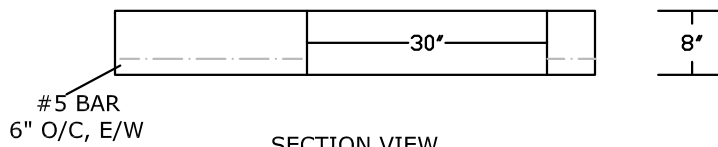
**D-6**

# PEERLESS CONCRETE PRODUCTS CO.

—SINCE 1959—



PLAN VIEW



SECTION VIEW

## CONVERSION SLAB (CATCH BASIN TO MANHOLE) (AS BUILT BY PEERLESS)

### NOTES:

-LOAD RATING: HS 20  
-CONCRETE: 4500PSI @ 28 DAYS  
-REINFORCING: AS SPECIFIED,  
GRADE 60 REBAR

-MANUFACTURED IN ACCORDANCE WITH  
ASTM C-913  
-SCALE: 1/2"=1'-0"

**D-7**